



US00D784754S

(12) **United States Design Patent**
Li

(10) **Patent No.:** **US D784,754 S**
(45) **Date of Patent:** **** Apr. 25, 2017**

(54) **NON-STICKY PAN**

(71) Applicant: **YISHAN METAL PRODUCTS CO., LTD.**, Jiangmen, Guangdong Province (CN)

(72) Inventor: **Shiju Li**, Jianyang (CN)

(73) Assignee: **YISHAN METAL PRODUCTS CO., LTD.**, Jiangmen, Guangdong Province (CN)

(**) Term: **15 Years**

(21) Appl. No.: **29/547,431**

(22) Filed: **Dec. 3, 2015**

(51) **LOC (10) Cl.** **07-02**

(52) **U.S. Cl.**
USPC **D7/354**

(58) **Field of Classification Search**
USPC D7/323, 354-361, 402, 505, 543, 545, D7/549, 550.1, 553.1-553.8, 554.1-554.4, D7/555, 560, 565-566, 570, 584, 586; D9/430-433, 455-456, 737, 756-762
CPC A21B 3/00; A21B 3/13; A21B 3/15; A21B 3/134; A21B 3/155; A21B 5/00; A21B 5/02; A47J 36/022; A47J 36/025; A47J 36/027; A47J 36/02; A47J 37/00; A47J 37/04; A47J 37/108; A61M 1/0001; B65D 1/22; B65D 1/24; B65D 1/34; B65D 1/36; B65D 81/343; B65D 85/36
See application file for complete search history.

(56) **References Cited**

U.S. PATENT DOCUMENTS

- 2,179,512 A * 11/1939 McBirney A21B 3/155
220/615
- 2,534,407 A * 12/1950 Bramberry, Jr. A47J 36/02
126/385.1

- D372,395 S * 8/1996 Candianides D7/359
- D376,723 S * 12/1996 Asner D7/359
- D431,151 S * 9/2000 Brunianyn D7/354
- 6,523,460 B1 * 2/2003 Lange A47J 37/108
99/340
- D490,268 S * 5/2004 Groll D7/354
- D618,505 S * 6/2010 Rae D7/359
- D628,009 S * 11/2010 Sarnoff D7/354
- D639,604 S * 6/2011 Degnan D7/354
- D658,426 S * 5/2012 Saunders D7/359
- D663,582 S * 7/2012 Moulin D7/354
- D682,012 S * 5/2013 Lin D7/354

* cited by examiner

Primary Examiner — Ricky Pham

(74) *Attorney, Agent, or Firm* — Welsh Flaxman & Gitler LLC

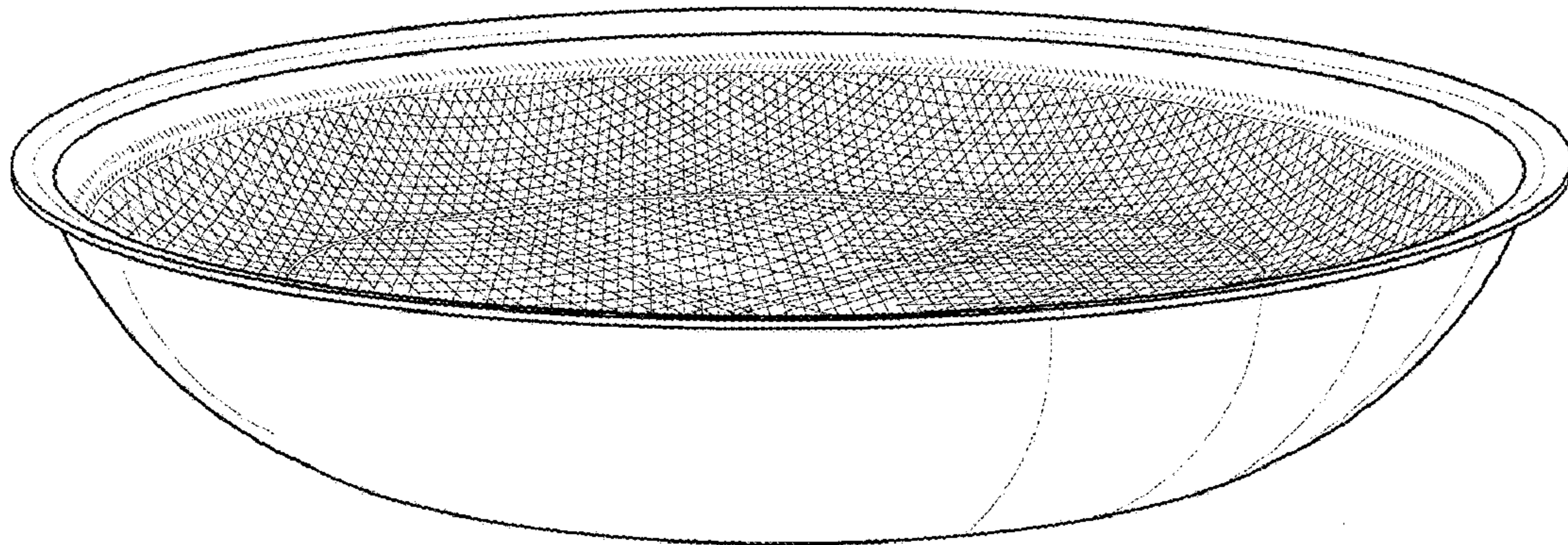
(57) **CLAIM**

The ornamental design for a non-sticky pan, as shown and described.

DESCRIPTION

FIG. 1 is a perspective view of the non-sticky pan;
 FIG. 2 is a side view of the non-sticky pan;
 FIG. 3 is a top view of the non-sticky pan;
 FIG. 4 is a bottom view of the non-sticky pan;
 FIG. 5 is a cross-sectional view taken through line 5-5 of FIG. 3 of the non-sticky pan;
 FIG. 6 is an enlarged view of the pattern on the bottom wall of the non-sticky pan as designated by “6” in FIG. 3;
 FIG. 7 is an enlarged view of the pattern on the bottom wall on the outside of the of the non-sticky pan as designated by “7” in FIG. 4; and,
 FIG. 8 is an enlarged sectional view along 8-8 in FIG. 5.

1 Claim, 8 Drawing Sheets



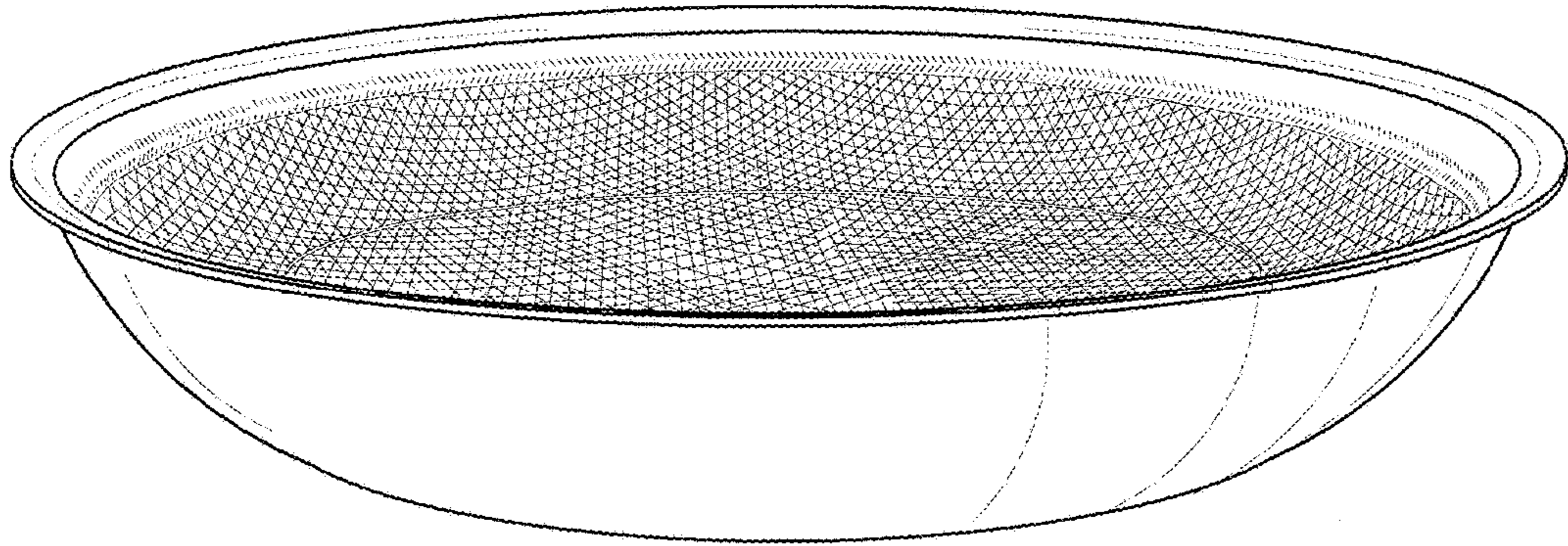


Fig. 1

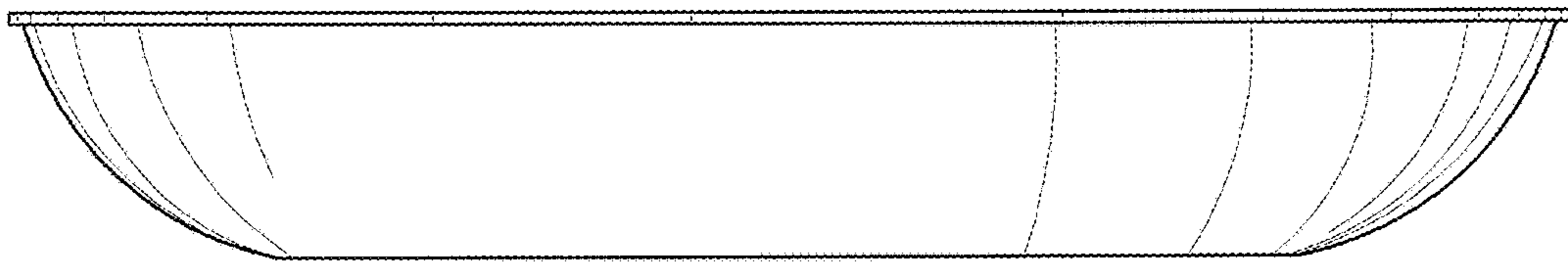


Fig.2

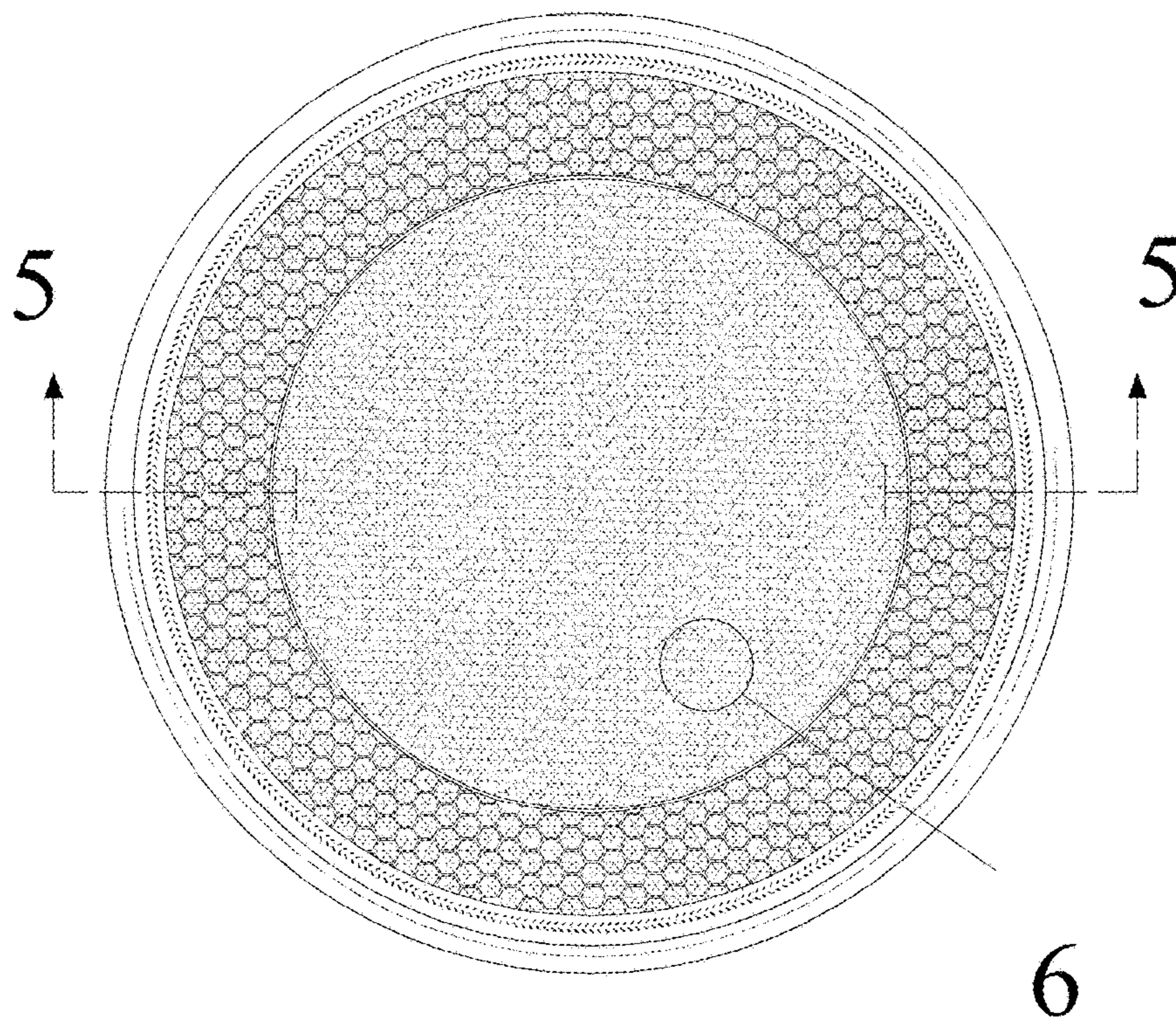


Fig.3

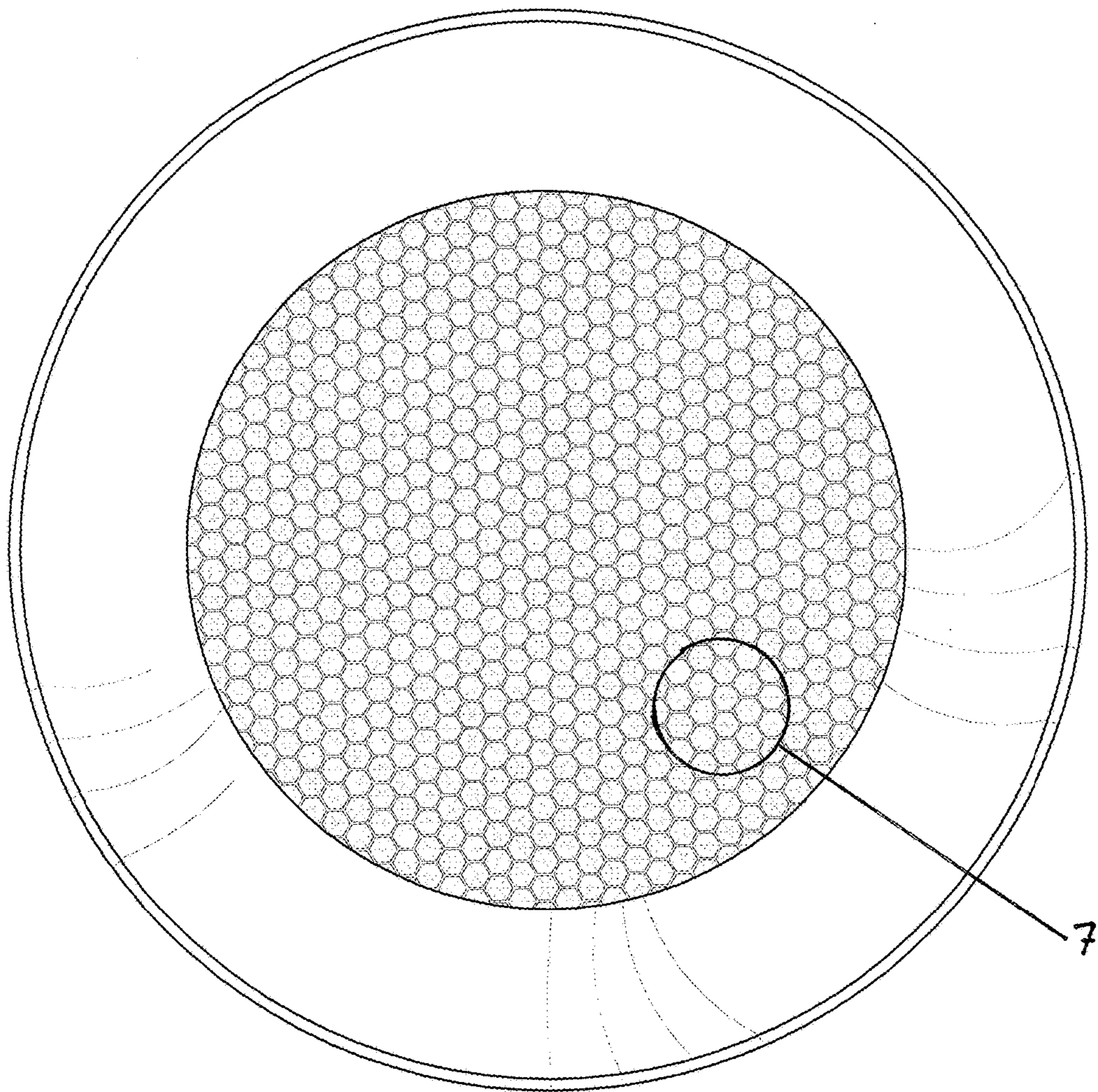


Fig.4

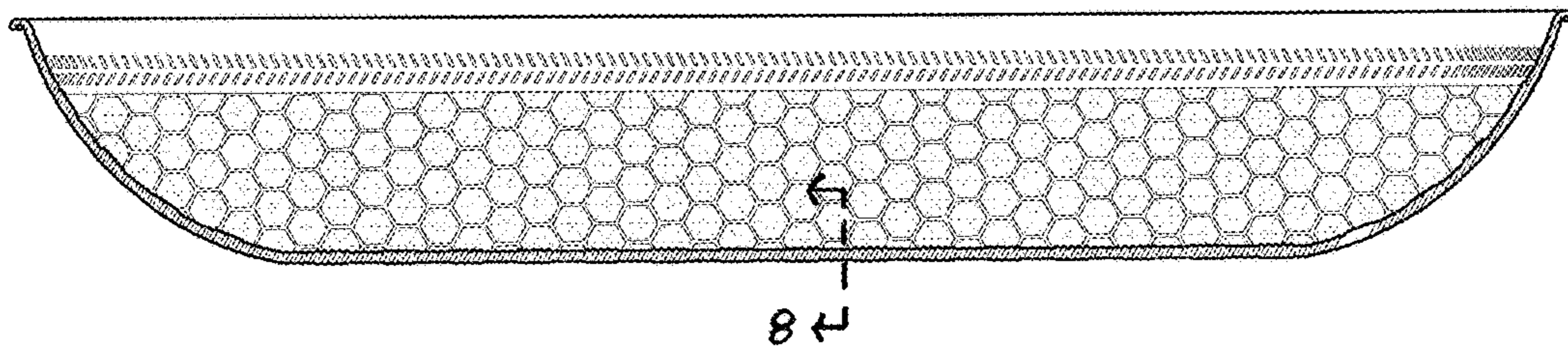


Fig.5

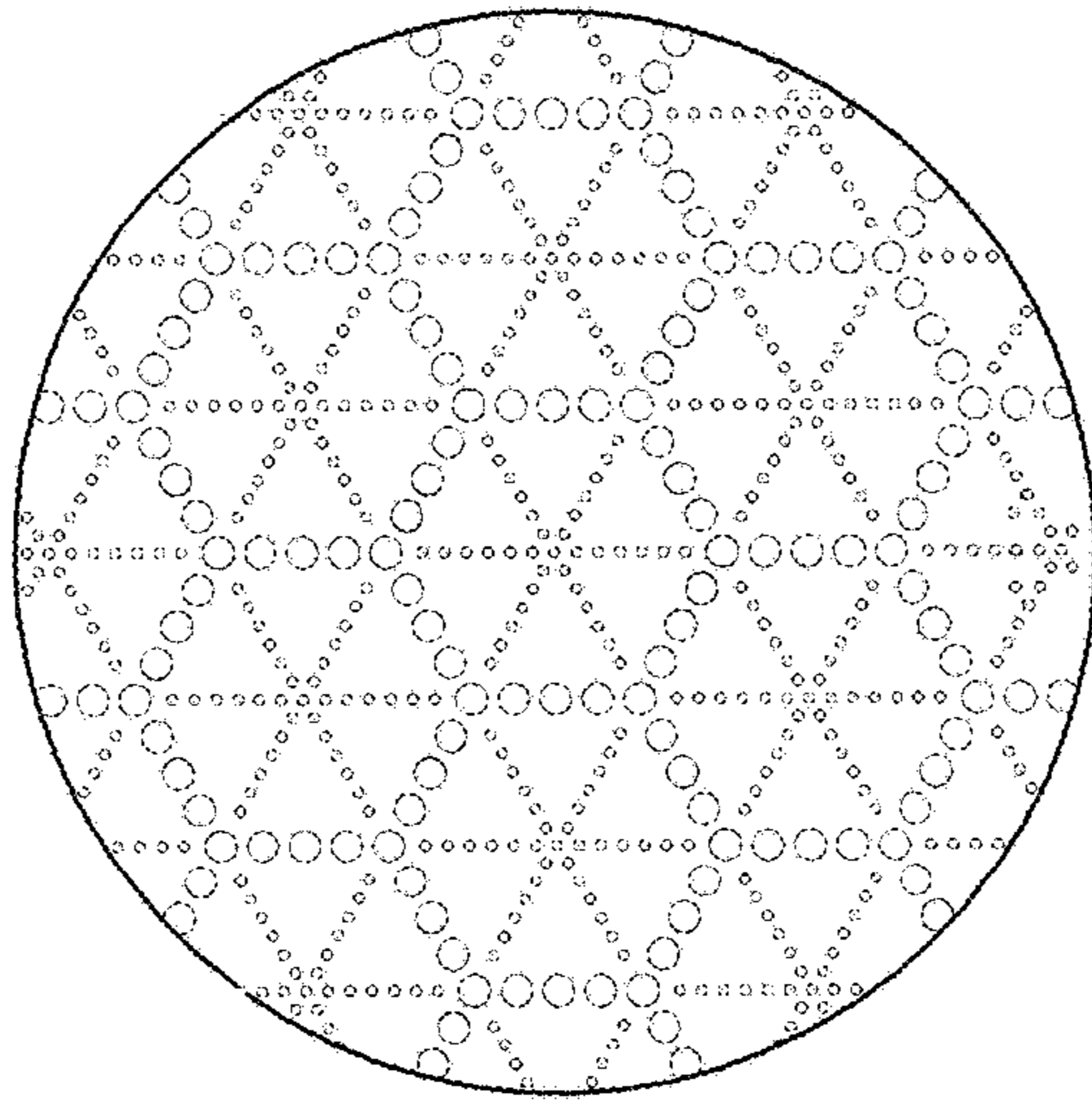


Fig.6

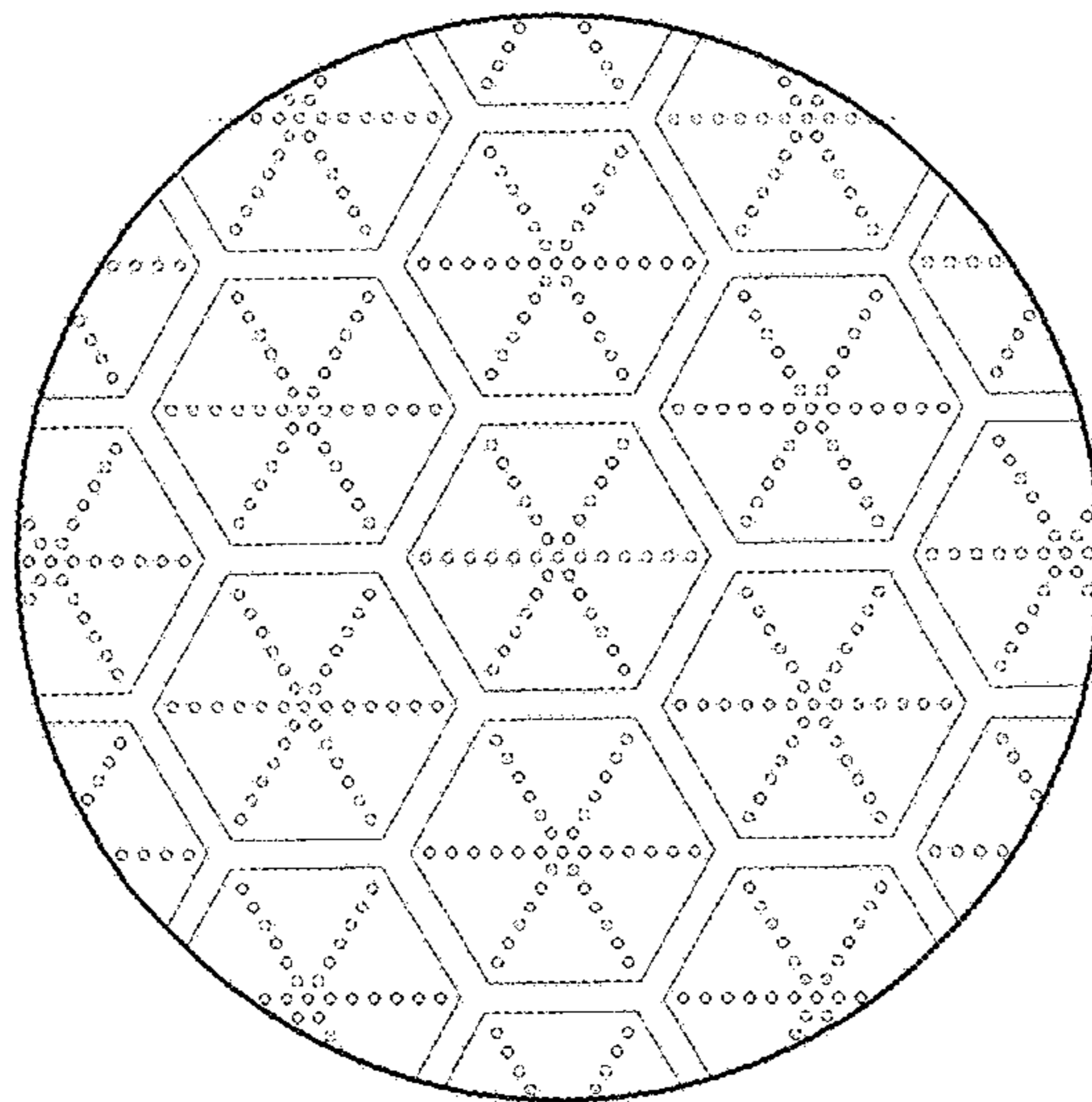


Fig. 7

A-A



Fig.8