



US00D784752S

(12) **United States Design Patent**
Funnell, II et al.

(10) **Patent No.:** **US D784,752 S**
(45) **Date of Patent:** **** Apr. 25, 2017**

- (54) **OVEN**
- (71) Applicant: **BSH Home Appliances Corporation**,
Irvine, CA (US)
- (72) Inventors: **Richard W. Funnell, II**, Huntington
Beach, CA (US); **Andrew Roberson**,
Long Beach, CA (US); **Graham
Sadtler**, Huntington Beach, CA (US)
- (73) Assignee: **BSH Home Appliances Corporation**,
Irvine, CA (US)
- (**) Term: **15 Years**
- (21) Appl. No.: **29/544,361**
- (22) Filed: **Nov. 3, 2015**

Related U.S. Application Data

- (62) Division of application No. 29/456,407, filed on May
31, 2013, now Pat. No. Des. 748,424.
- (51) **LOC (10) Cl.** **07-02**
- (52) **U.S. Cl.**
USPC **D7/348**
- (58) **Field of Classification Search**
USPC D7/339-349
CPC .. F24C 7/00; F24C 7/002; F24C 7/043; F24C
7/046; F24C 7/062; F24C 7/067; F24C
15/02; F24C 15/04
See application file for complete search history.

References Cited

U.S. PATENT DOCUMENTS

- D191,893 S * 12/1961 Faidy et al. D7/340
- D399,390 S * 10/1998 Baldwin D7/348
- D523,685 S * 6/2006 Jung D7/340
- D526,527 S * 8/2006 Jung D7/348
- D530,561 S * 10/2006 Kim D7/351
- D538,581 S * 3/2007 Lee D7/340

- D552,920 S * 10/2007 Chung D7/348
- D580,698 S * 11/2008 Kim D7/348
- D603,650 S * 11/2009 Yalcin D7/349
- D604,988 S * 12/2009 Yalcin D7/349
- D611,755 S * 3/2010 Yalcin D7/349
- D611,756 S * 3/2010 Yalcin D7/349
- D626,782 S * 11/2010 Busalt D7/349

(Continued)

Primary Examiner — Mitchell Siegel

(74) *Attorney, Agent, or Firm* — Michael E. Tschupp;
Andre Pallapies

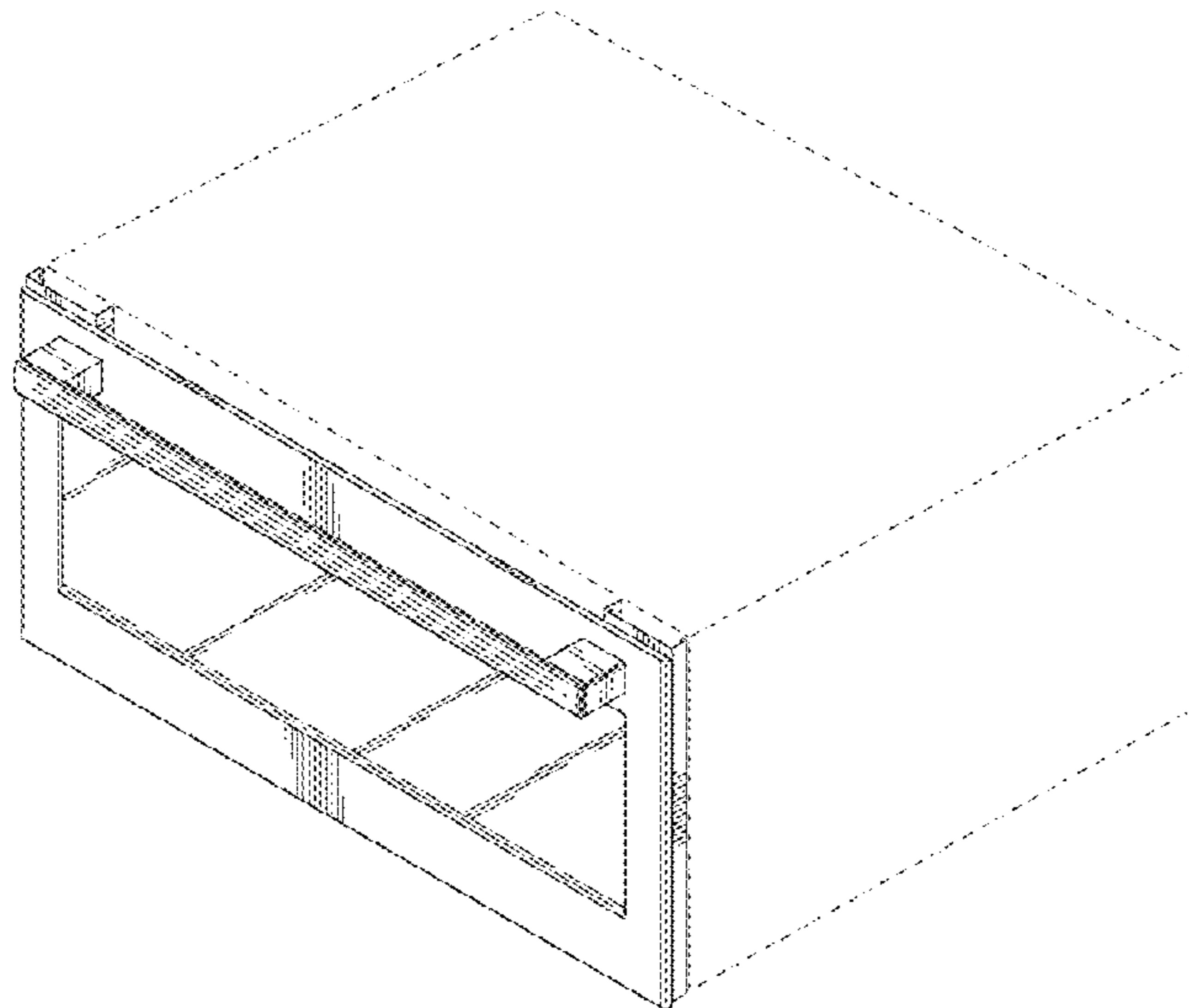
(57) **CLAIM**

The ornamental design for an oven, as shown and described.

DESCRIPTION

FIG. 1 is a front perspective view of an oven showing an embodiment of our new ornamental design;
 FIG. 2 is a front view thereof;
 FIG. 3 is a top view thereof, with the bottom view thereof being a mirror image thereof;
 FIG. 4 is a right hand view, with the left hand view being a mirror image thereof;
 FIG. 5 is a front perspective view of a second embodiment of an oven showing our new design;
 FIG. 6 a front view thereof;
 FIG. 7 is a top view thereof, with the bottom view thereof being a mirror image thereof;
 FIG. 8 is a right hand view, with the left hand view being a mirror image thereof;
 FIG. 9 is a front perspective view of a third embodiment of an oven showing our new design;
 FIG. 10 is a front view thereof;
 FIG. 11 is a top view thereof, with the bottom view thereof being a mirror image thereof; and,
 FIG. 12 is a right hand view, with the left hand view being a mirror image thereof.
 The broken lines represent environment and form no part of the claimed design.

1 Claim, 12 Drawing Sheets



(56)

References Cited

U.S. PATENT DOCUMENTS

D627,593	S	*	11/2010	Lee	D7/340
D646,112	S	*	10/2011	Park	D7/348
D646,113	S	*	10/2011	Park	D7/348
D664,388	S	*	7/2012	Park	D7/348
D668,106	S	*	10/2012	Borjesson	D7/405
D668,107	S	*	10/2012	Borjesson	D7/405
D668,108	S	*	10/2012	Borjesson	D7/405
D669,297	S	*	10/2012	Tanaka	D7/349
D710,646	S	*	8/2014	Borjesson	D7/349
D724,889	S	*	3/2015	Borjesson	D7/349
D741,104	S	*	10/2015	Funnell, II	D7/348
D747,912	S	*	1/2016	Funnell, II	D7/348
D748,424	S	*	2/2016	Funnell, II	D7/348
D750,414	S	*	3/2016	Funnell, II	D7/348

* cited by examiner

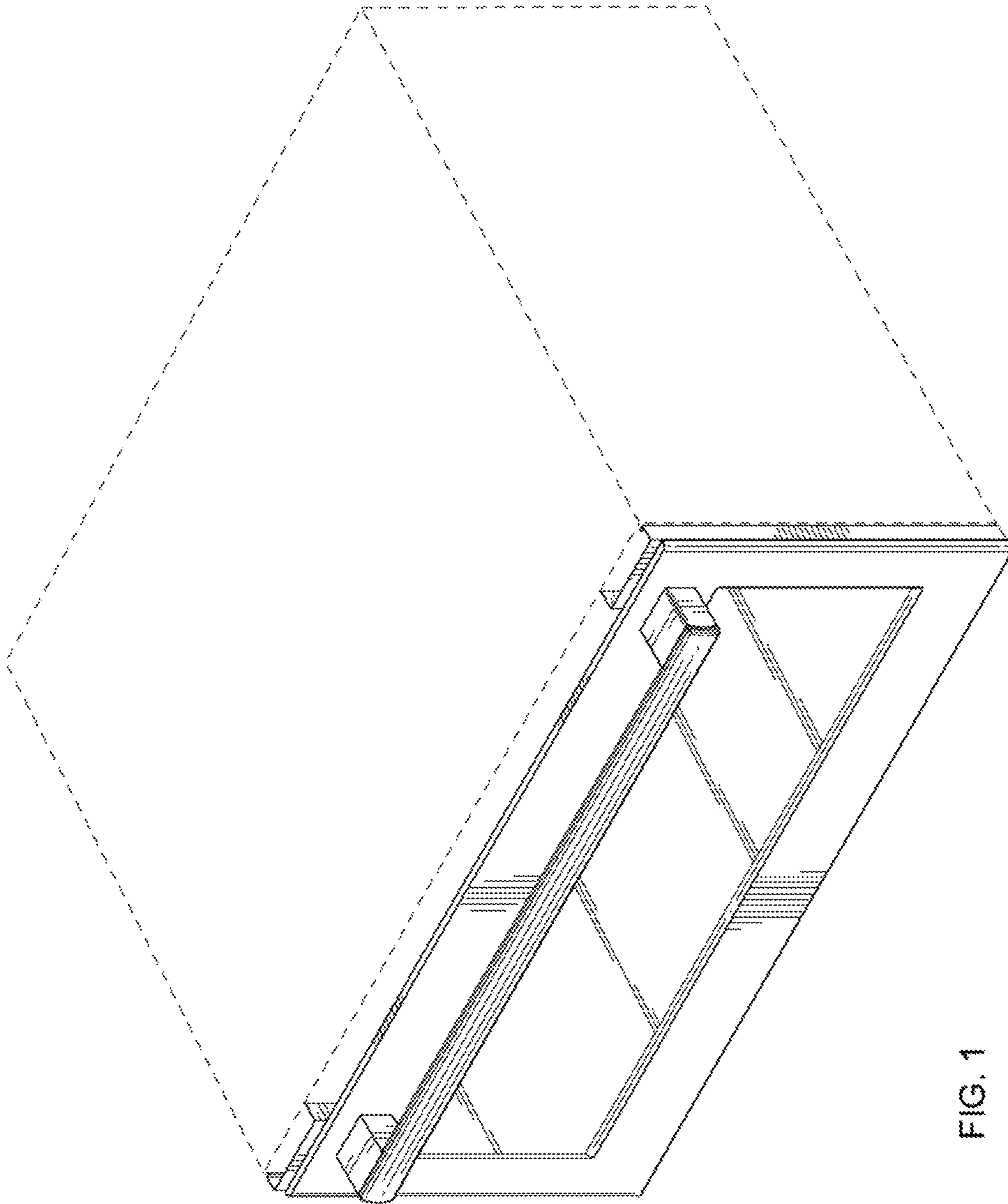


FIG. 1

FIG. 2

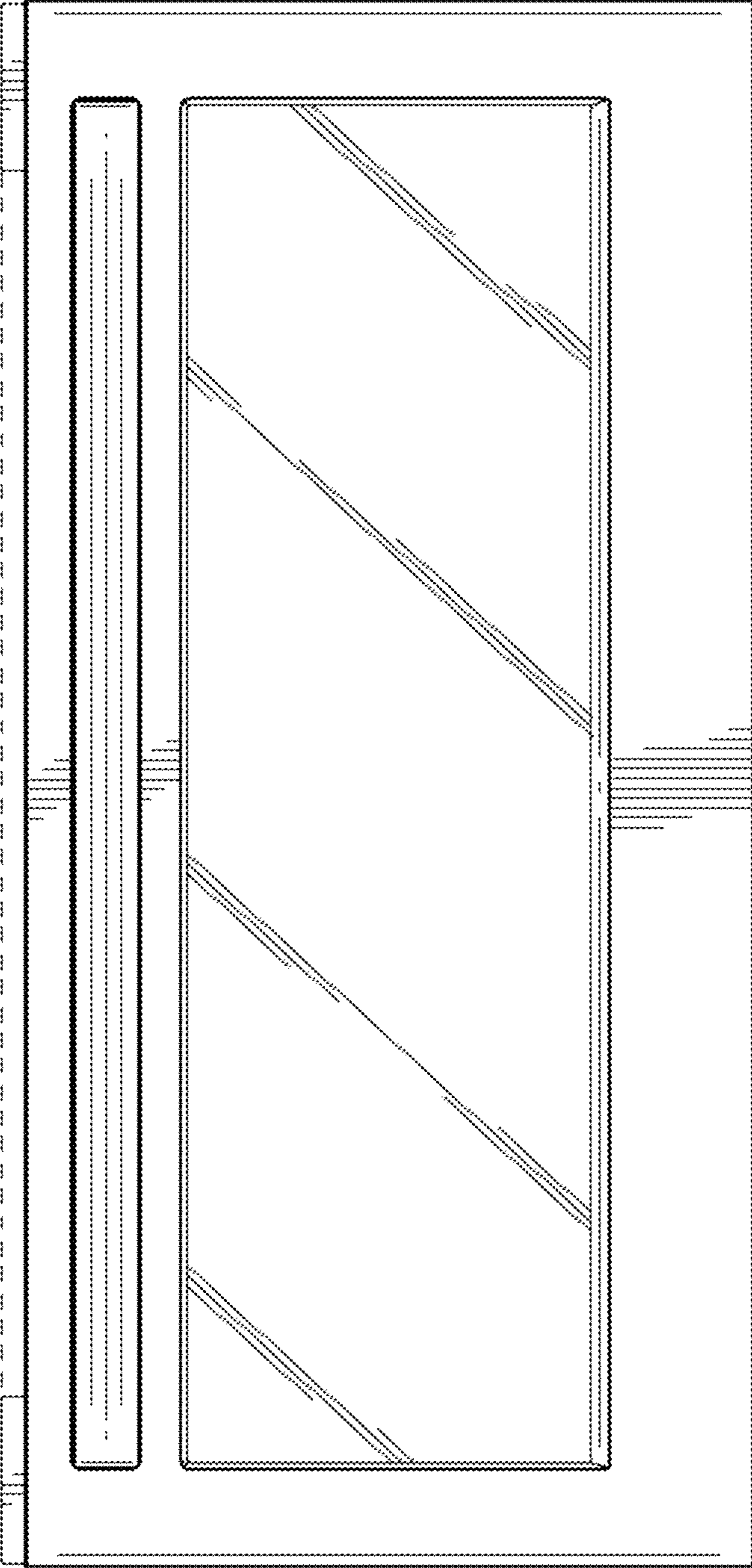


FIG. 3

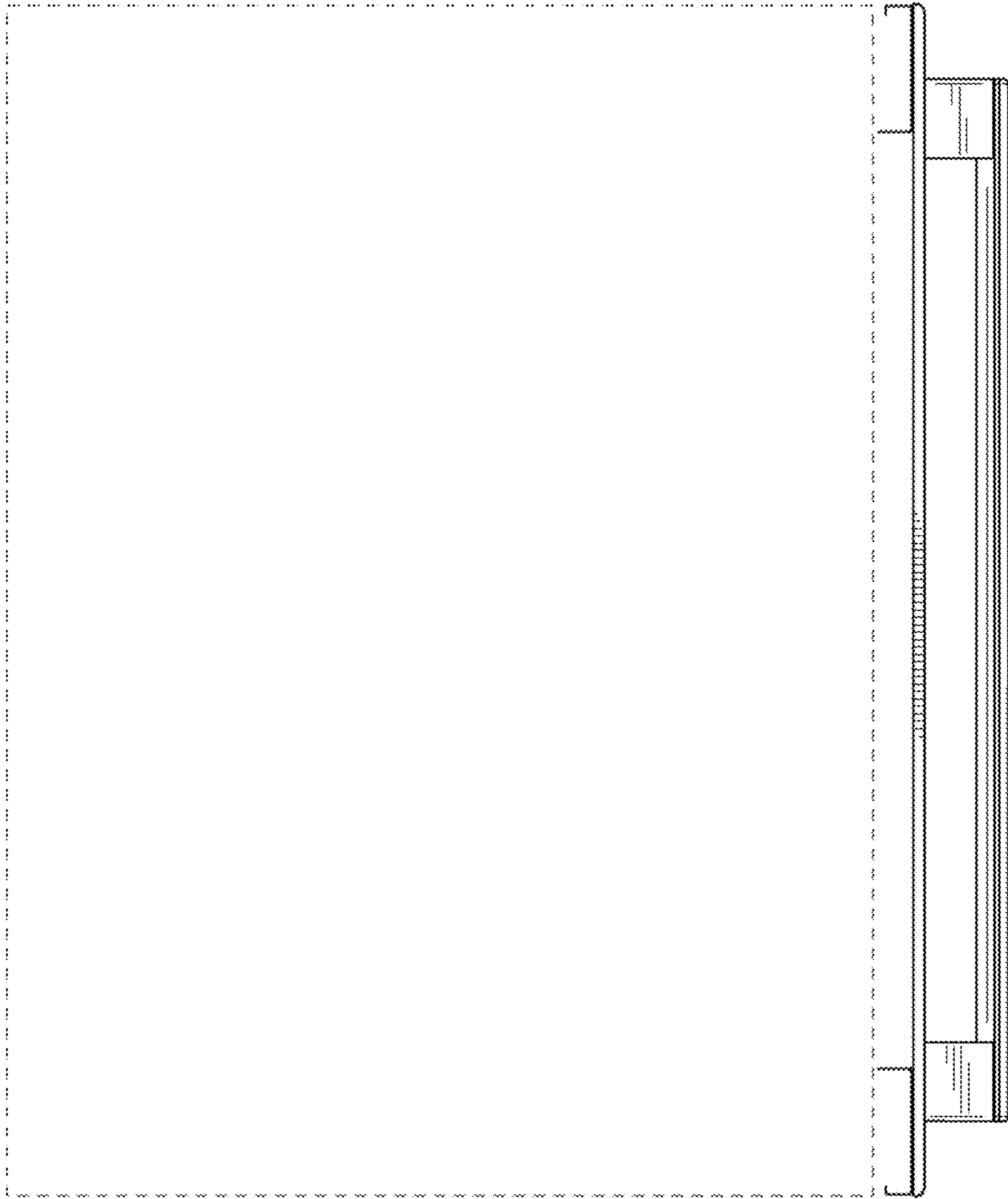


FIG. 4



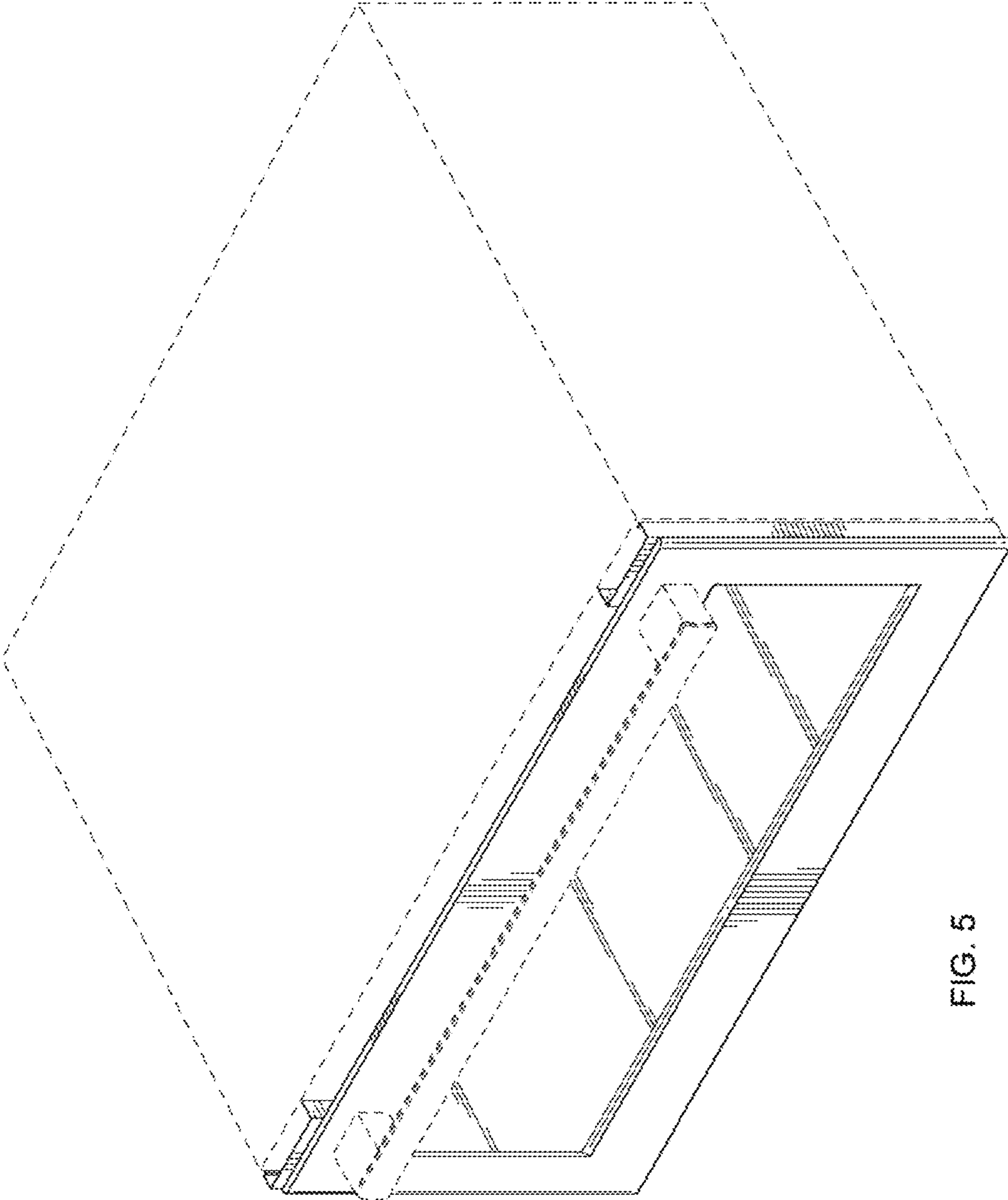


FIG. 5

FIG. 6

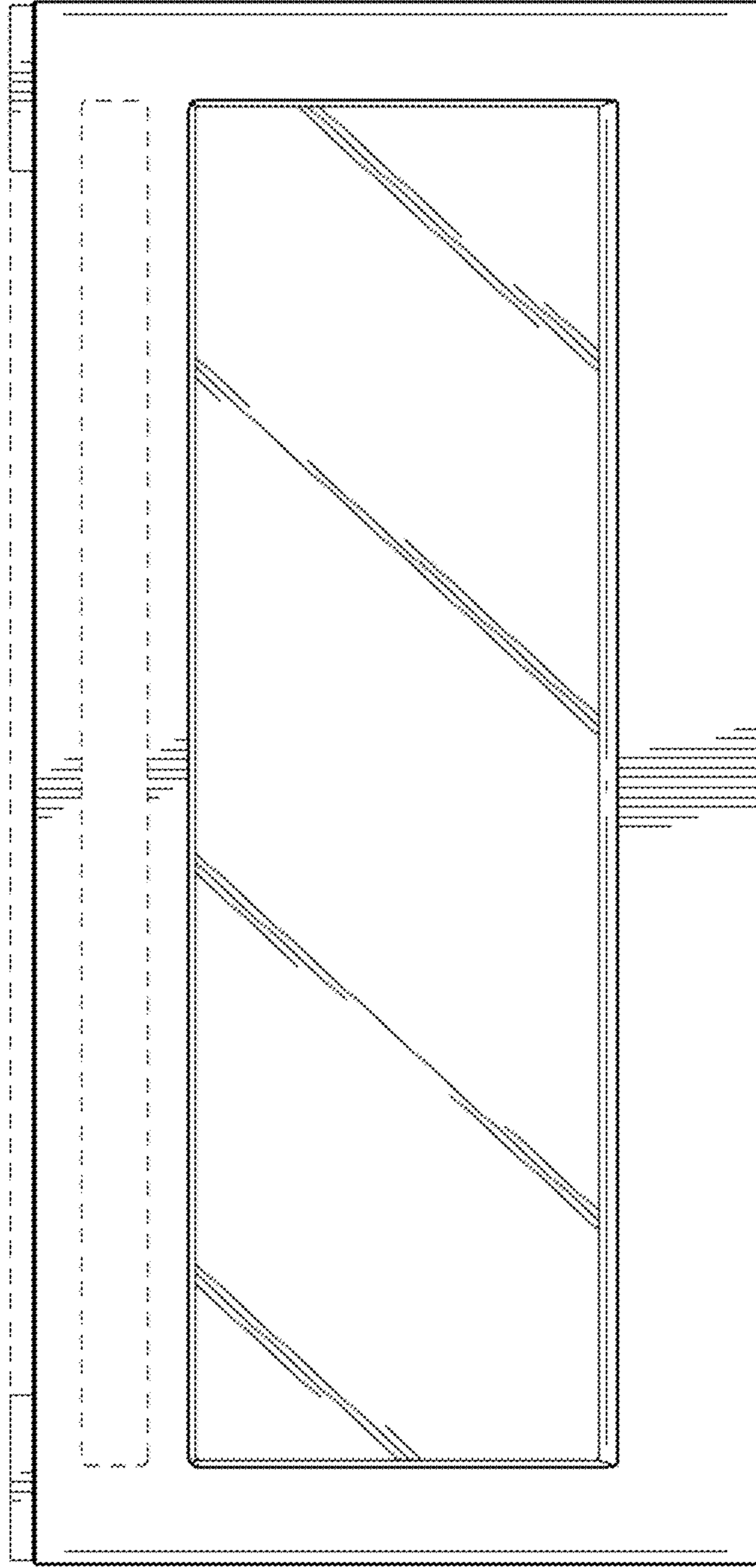


FIG. 7

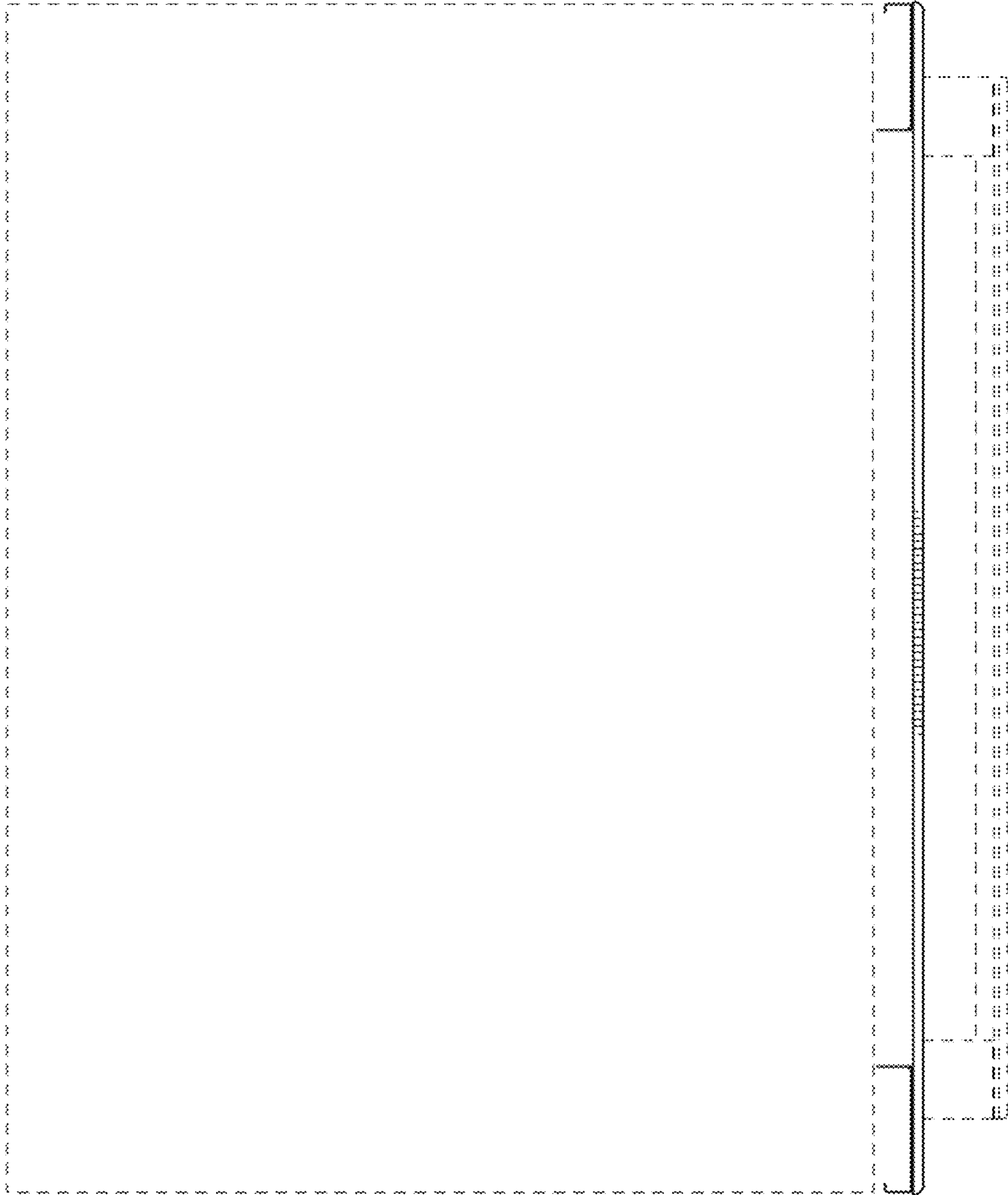
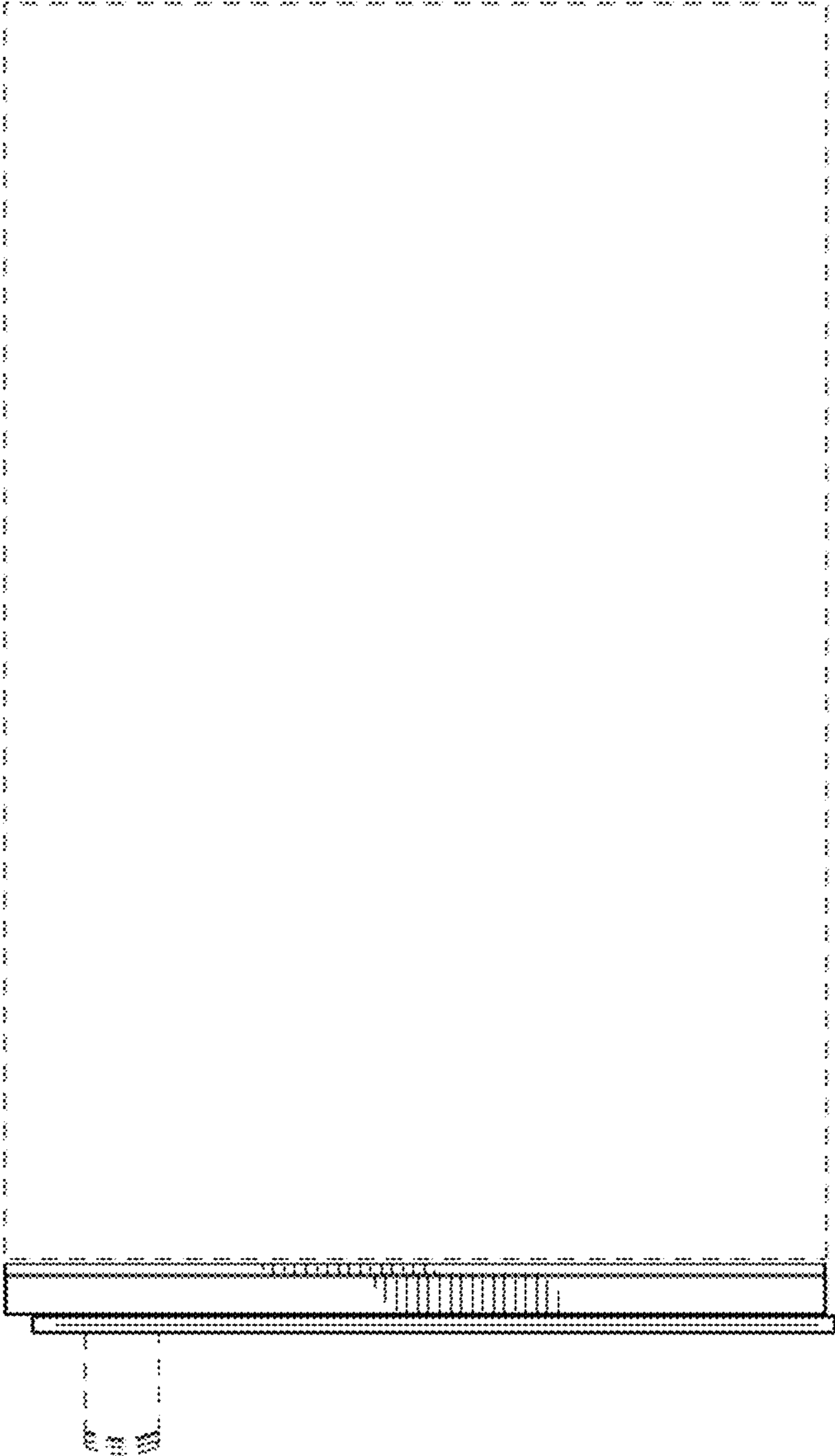


FIG. 8



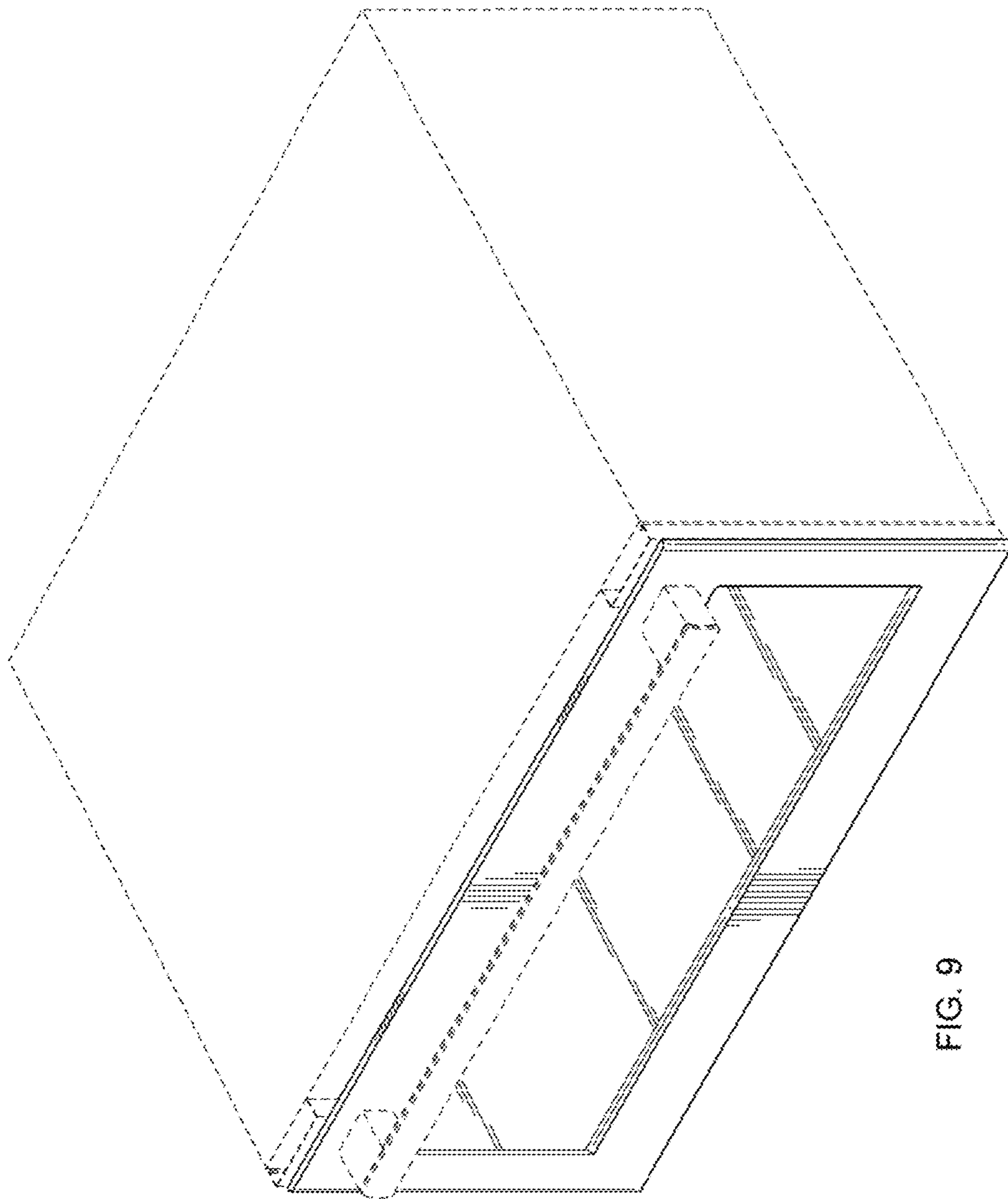


FIG. 9

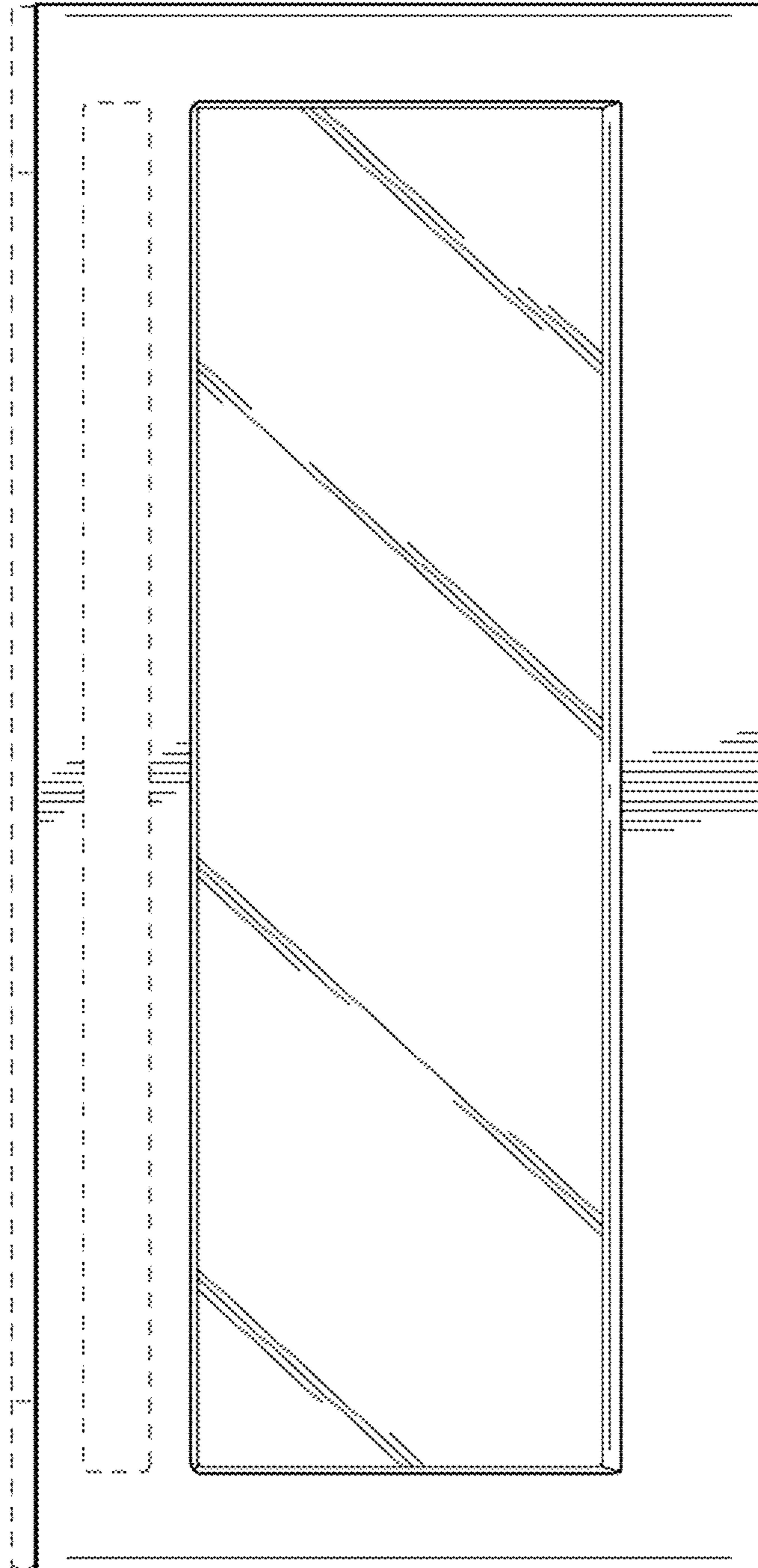


FIG. 10

FIG. 11

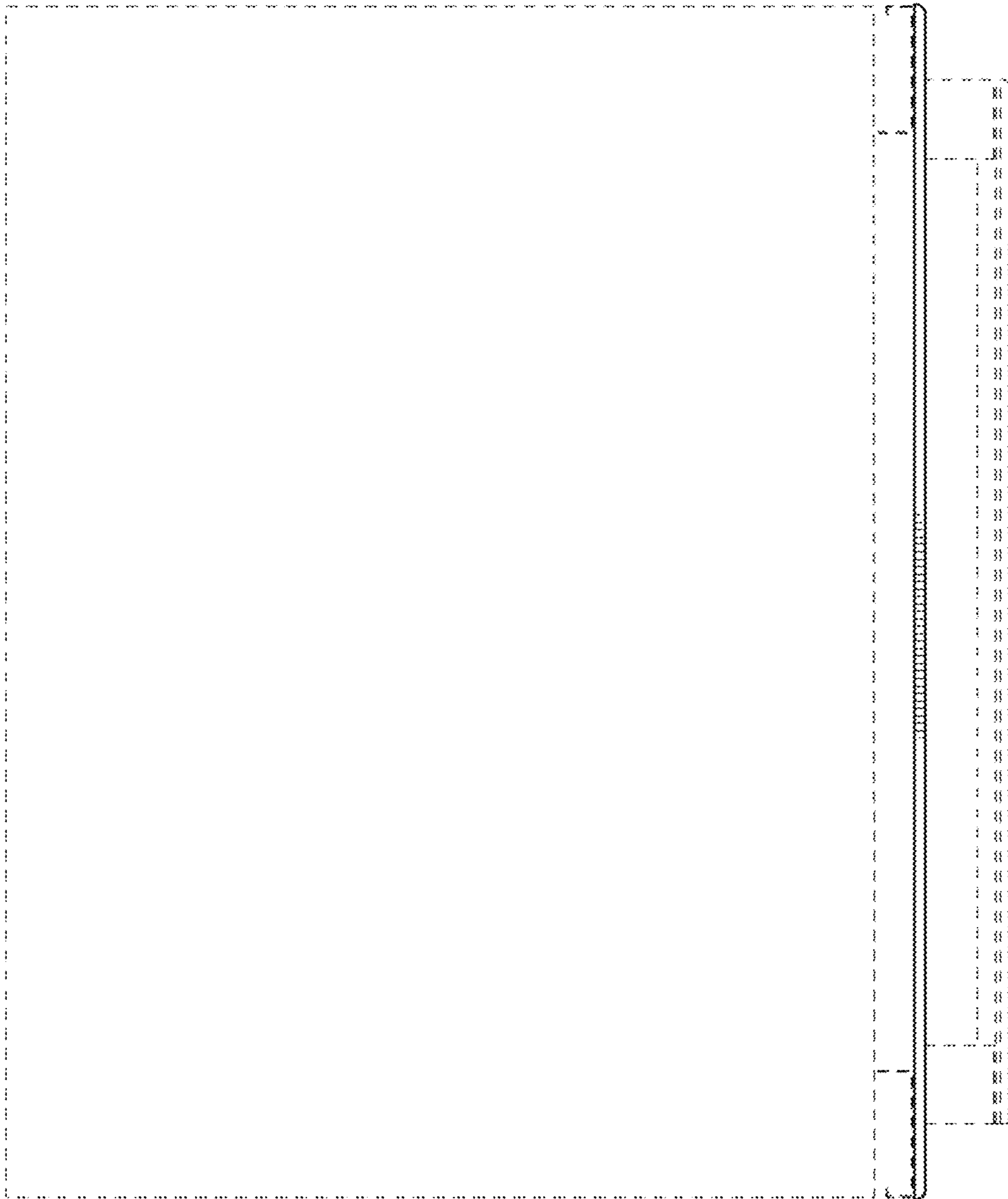


FIG. 12

