



US00D784750S

(12) **United States Design Patent**  
**Chang**

(10) **Patent No.:** **US D784,750 S**

(45) **Date of Patent:** **\*\* Apr. 25, 2017**

- (54) **STAND FOR COOKING DEVICE**
- (71) Applicant: **Tsann Kuen (Zhangzhou) Enterprise Co., Ltd., Zhang Zhou (CN)**
- (72) Inventor: **Wenyu Chang, Tainan (TW)**
- (73) Assignee: **Tsann Kuen (Zhangzhou) Enterprise Co., Ltd., Zhang Zhou (CN)**

D587,061 S \* 2/2009 Lavy ..... D7/352  
 D662,760 S \* 7/2012 Kennedy ..... D7/352  
 8,915,179 B2 \* 12/2014 Chang ..... A47J 37/0611  
 219/386  
 D740,066 S \* 10/2015 Pitteurs ..... D7/352  
 2007/0157823 A1 \* 7/2007 Cohen ..... A47J 37/0611  
 99/372  
 2010/0024662 A1 \* 2/2010 Bengtson ..... A47J 37/0611  
 99/377

- (\*\*) Term: **14 Years**
- (21) Appl. No.: **29/521,383**
- (22) Filed: **Mar. 23, 2015**

(30) **Foreign Application Priority Data**

Sep. 24, 2014 (CN) ..... 2014 3 0356655

- (51) **LOC (10) Cl.** ..... **07-02**
- (52) **U.S. Cl.**  
USPC ..... **D7/337**
- (58) **Field of Classification Search**  
USPC ..... 126/25 R, 9 R  
CPC A47J 37/0611; A47J 37/0676; A47J 37/0763;  
A47J 37/0713; A47J 2037/0777  
See application file for complete search history.

(56) **References Cited**

**U.S. PATENT DOCUMENTS**

D465,965 S \* 11/2002 Dalton ..... D7/352  
 D488,667 S \* 4/2004 Seum ..... D7/352  
 D504,276 S \* 4/2005 Vial ..... D7/352  
 D522,803 S \* 6/2006 Lam ..... D7/352  
 D523,284 S \* 6/2006 Lam ..... D7/352  
 D548,000 S \* 8/2007 Mangano ..... D7/352

**OTHER PUBLICATIONS**

Waring, Waffle Makers, <http://www.waringpro.com/catalog.php?pcID=143>.\*

\* cited by examiner

*Primary Examiner* — Susan Bennett Hattan

*Assistant Examiner* — Brett Miller

(74) *Attorney, Agent, or Firm* — Wang Law Firm, Inc.

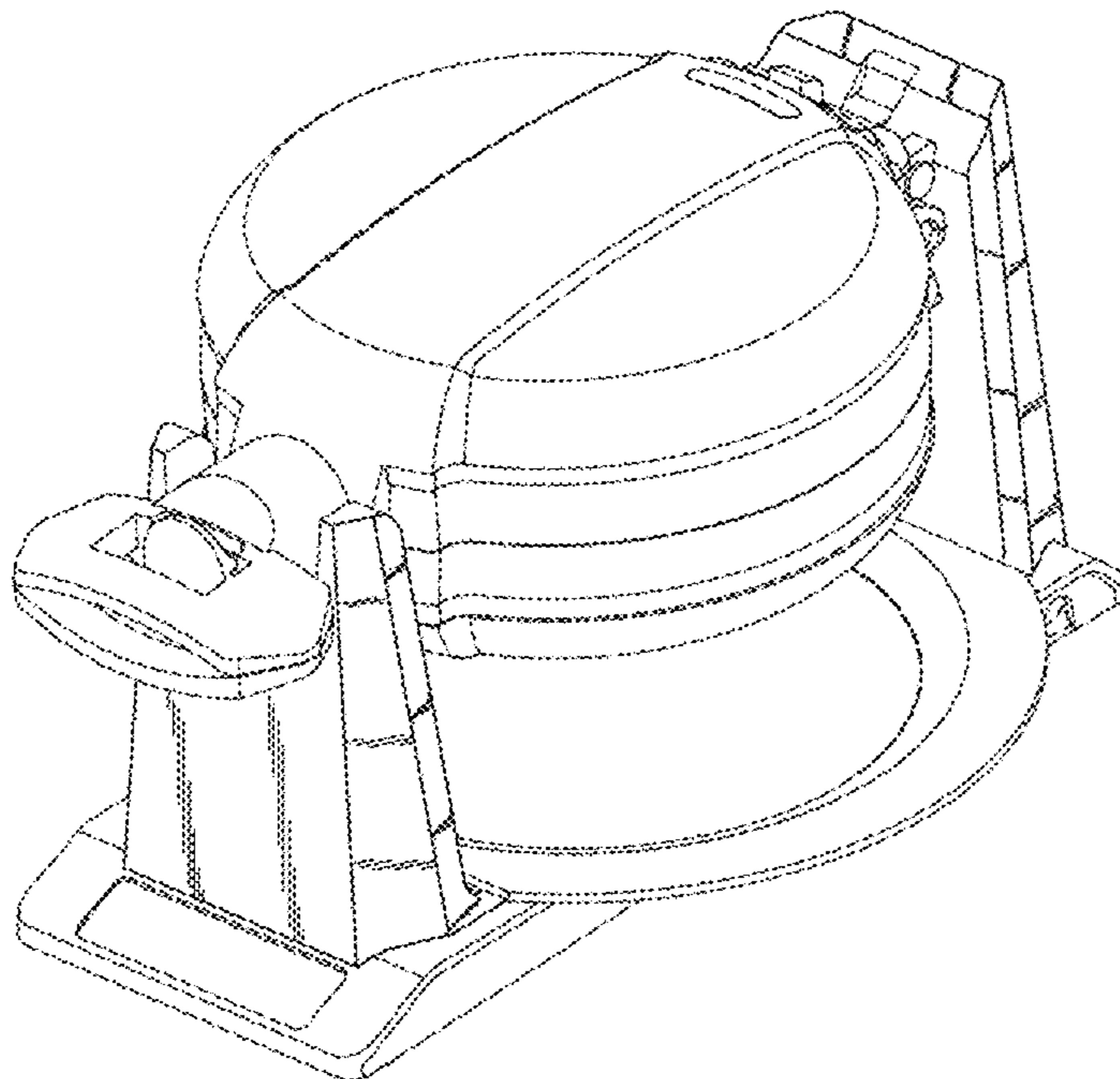
(57) **CLAIM**

The ornamental design for a stand for cooking device, as shown and described.

**DESCRIPTION**

FIG. 1 is a front view of a stand for cooking device showing my new design;  
 FIG. 2 is a rear view thereof;  
 FIG. 3 is a left side view thereof;  
 FIG. 4 is a right side view thereof;  
 FIG. 5 is a top plan view thereof;  
 FIG. 6 is a bottom plan view thereof; and,  
 FIG. 7 is a perspective view thereof.  
 The broken lines shown in the figures depict environment only and form no part of the claimed design.

**1 Claim, 7 Drawing Sheets**



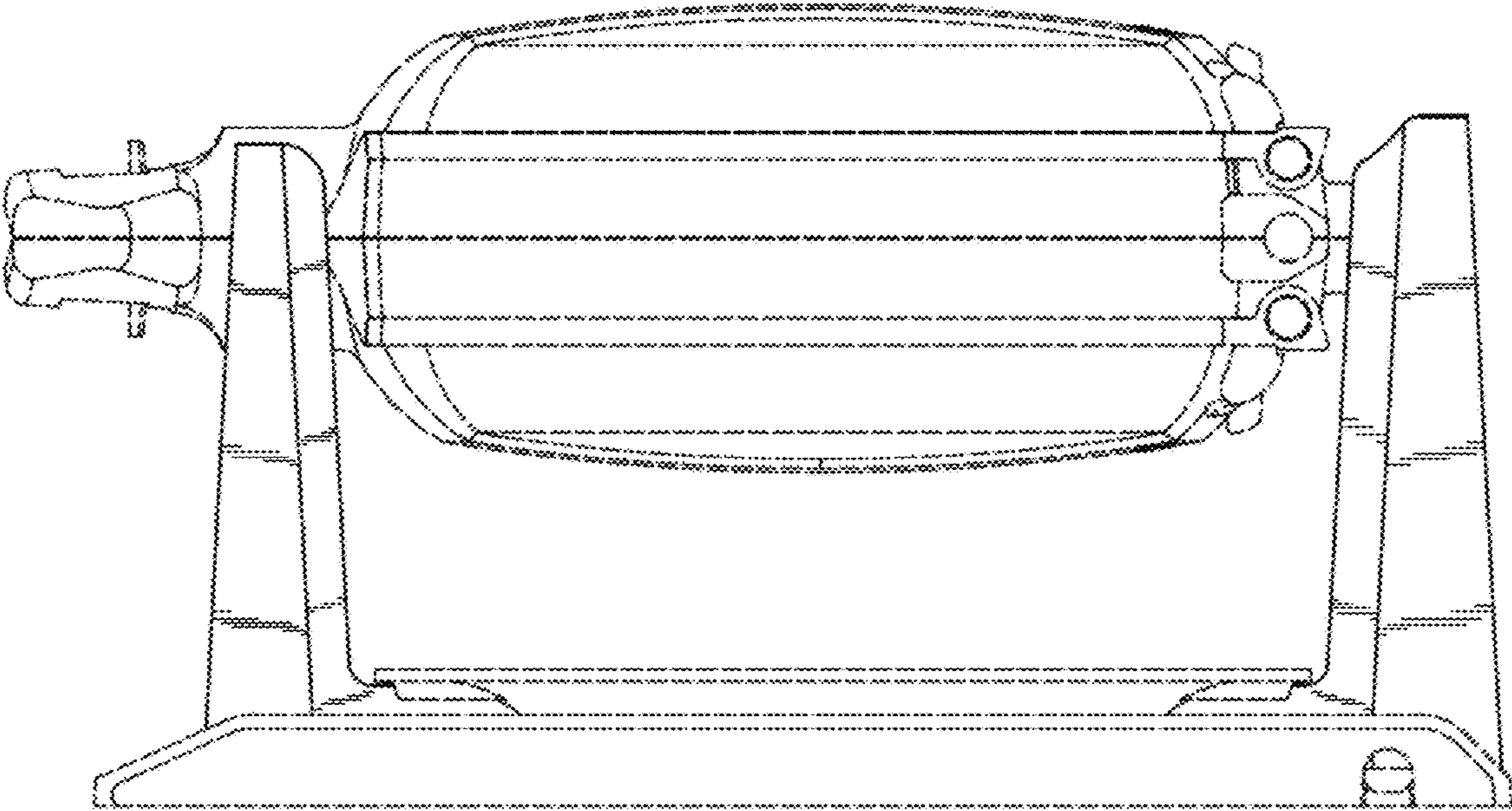


FIG. 1

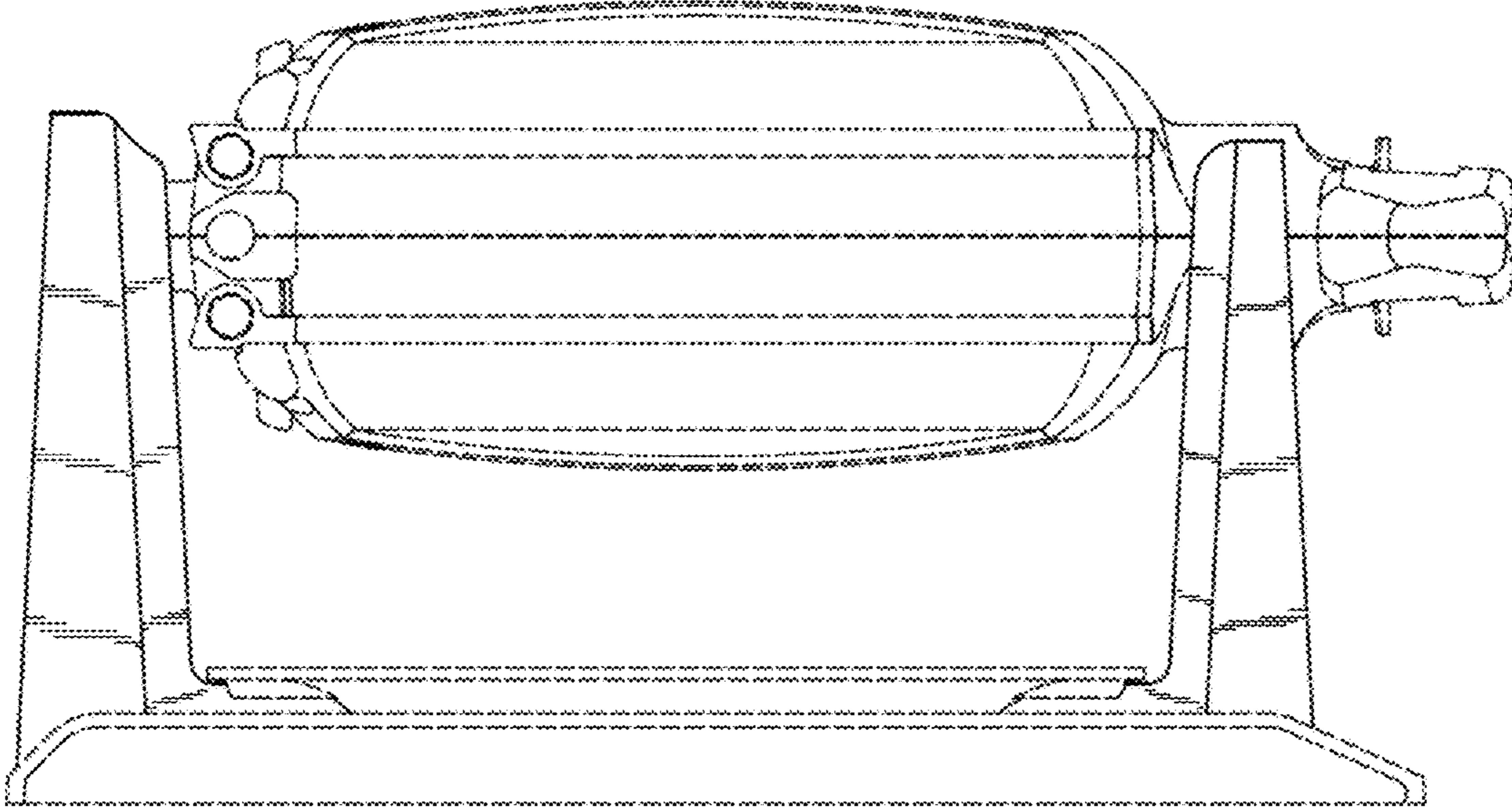


FIG. 2

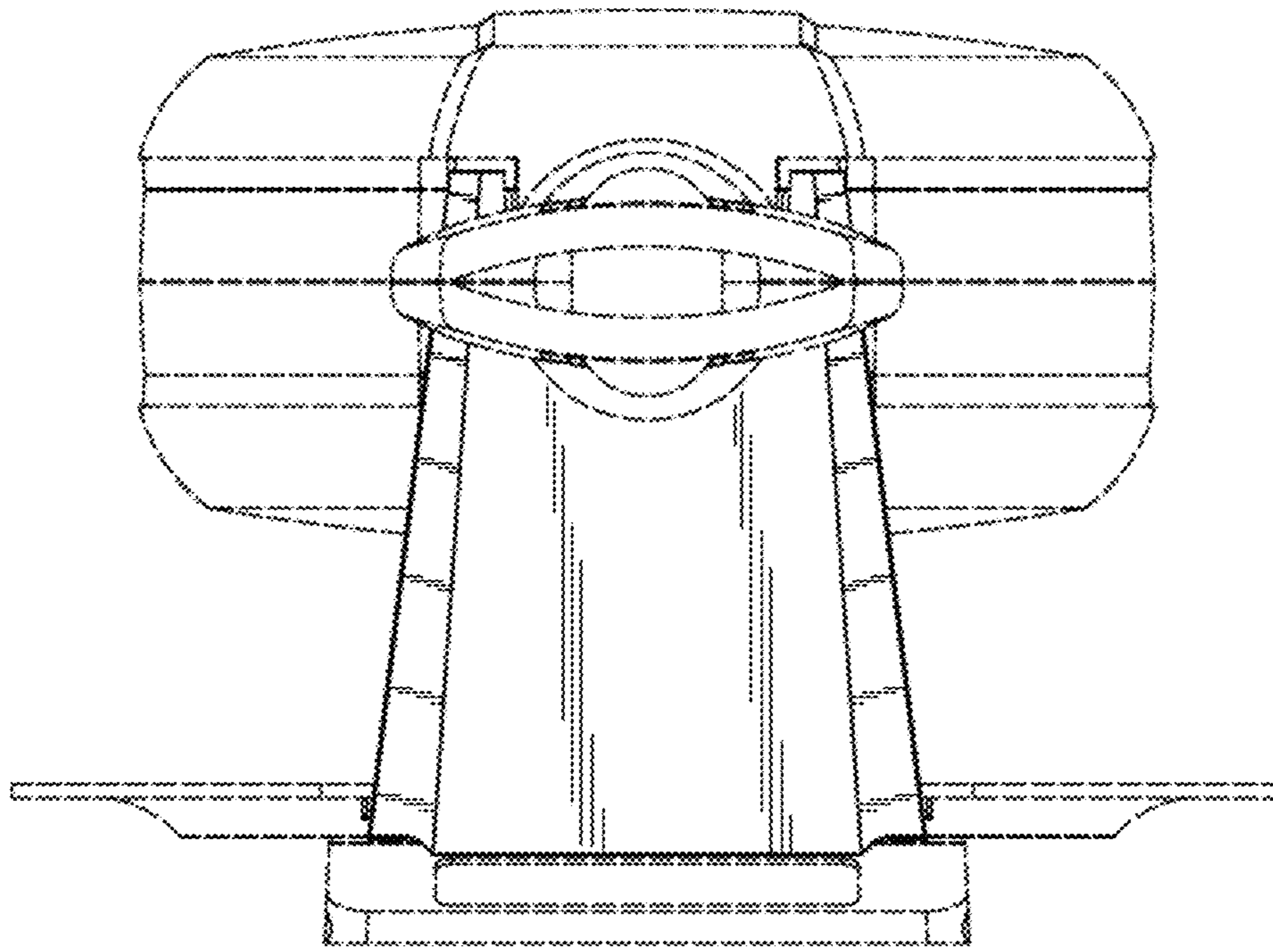


FIG. 3

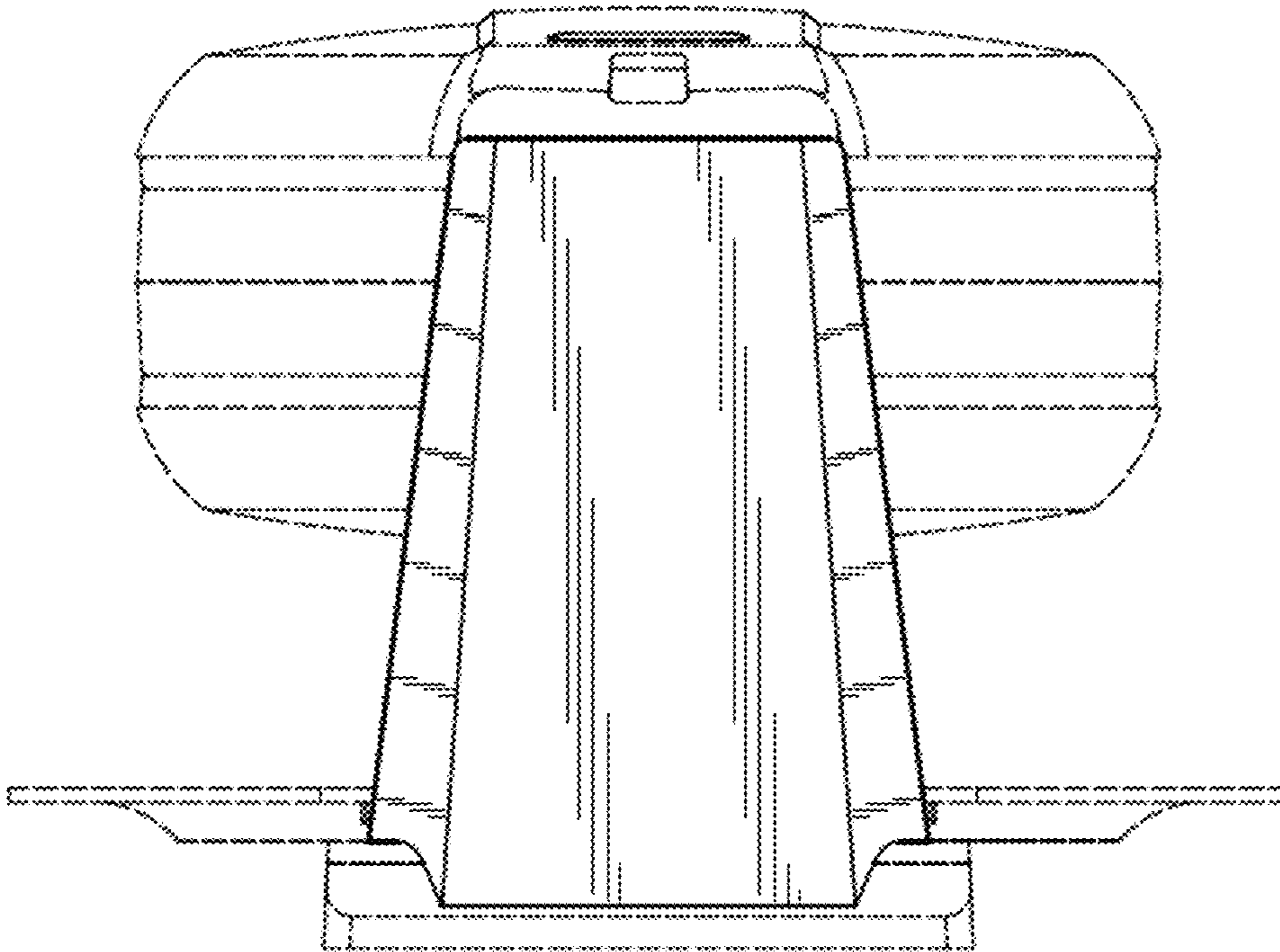


FIG. 4

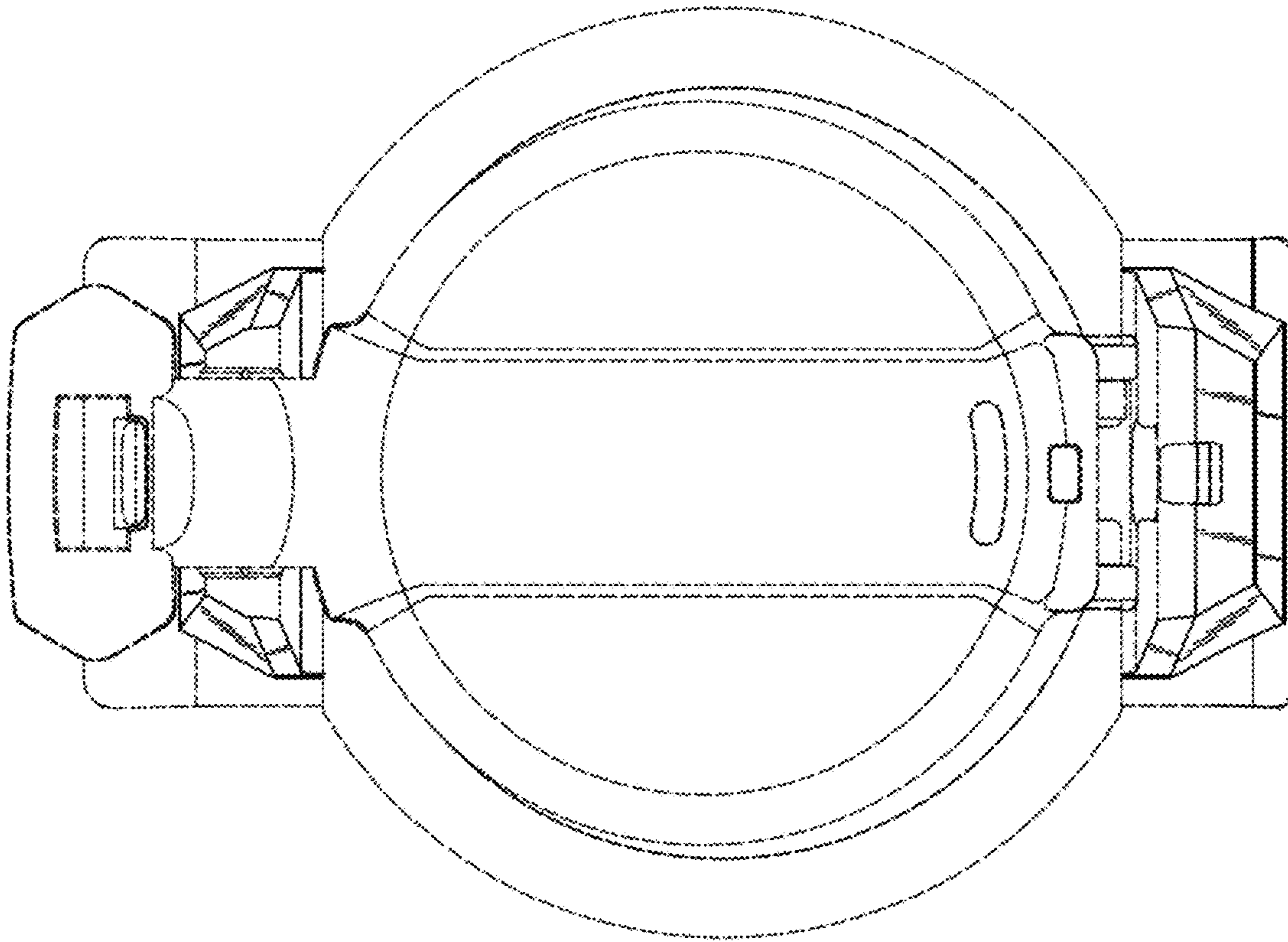


FIG. 5

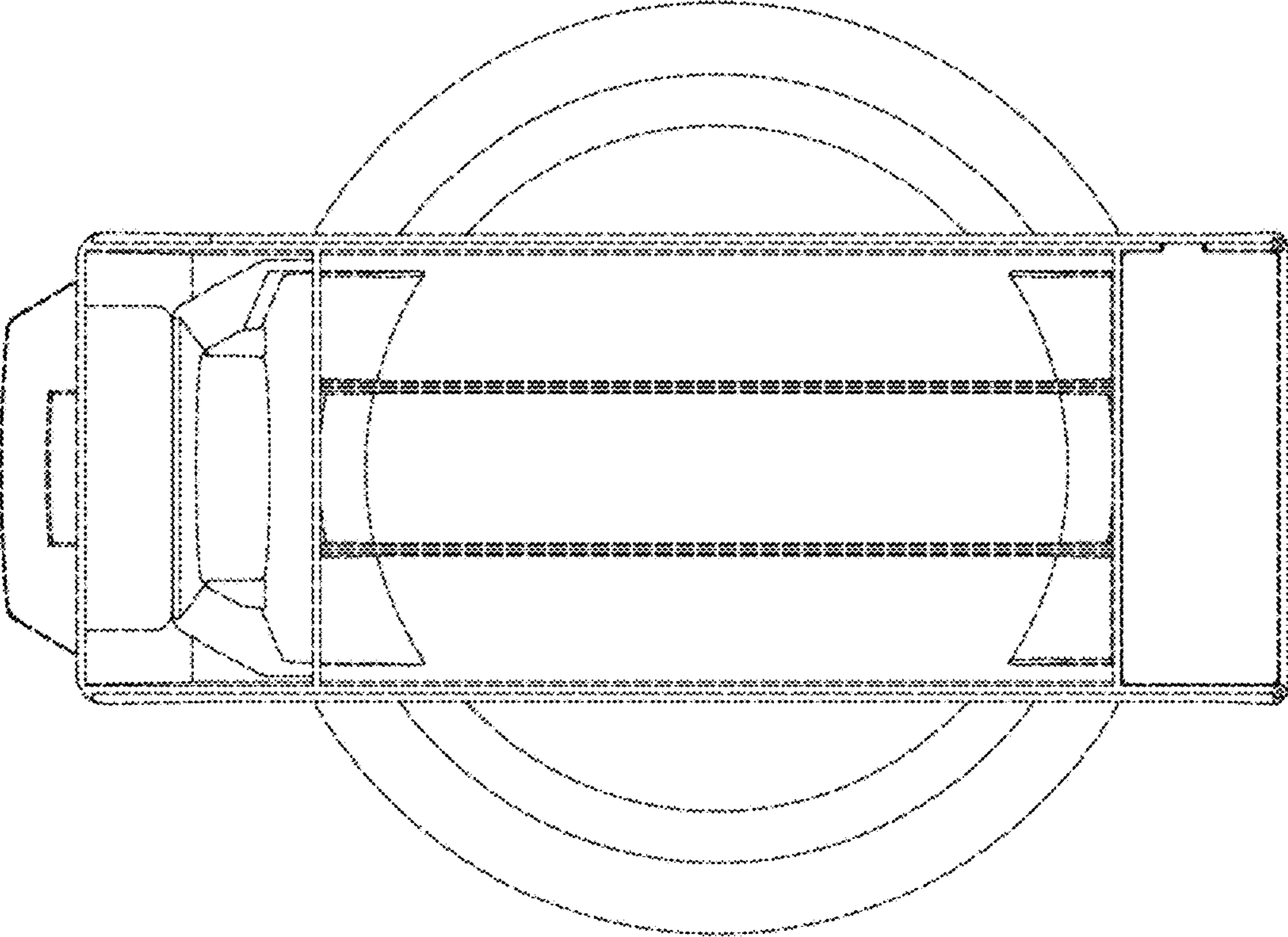


FIG. 6

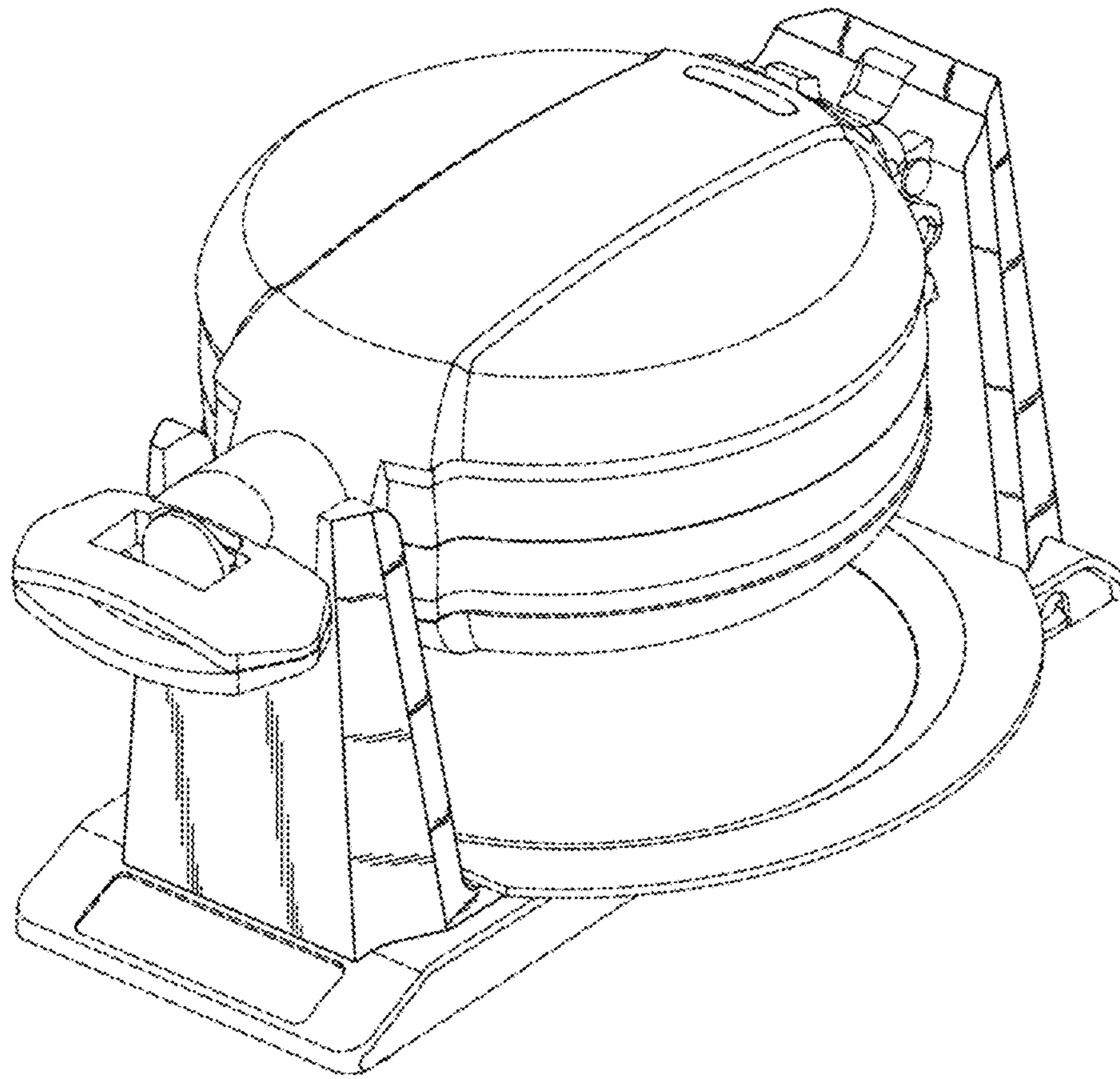


FIG. 7