



US00D784749S

(12) **United States Design Patent** (10) **Patent No.:** **US D784,749 S**
Welsh et al. (45) **Date of Patent:** **** Apr. 25, 2017**

(54) **LUMBAR SUPPORT FOR A CHAIR**
(71) Applicant: **Haworth, Inc.**, Holland, MI (US)
(72) Inventors: **Michael W. Welsh**, Rockford, MI (US);
Kyle R. Fleet, Byron Center, MI (US);
Nicolai Czumaj-Bront, Grand Rapids,
MI (US); **Peter J. Beyer**, Hamilton, MI
(US); **Teresa A. Bellingar**, Holland, MI
(US)

4,981,131 A * 1/1991 Hazard A47C 7/467
128/118.1
5,137,329 A * 8/1992 Neale A47C 7/467
297/284.1
5,320,410 A 6/1994 Faiks et al.
5,403,067 A 4/1995 Rajaratnam
5,586,808 A 12/1996 Oelke
5,645,321 A 7/1997 Seroldi
(Continued)

(73) Assignee: **Haworth, Inc.**, Holland, MI (US)

CN 2168479 6/1994
CN 1331940 1/2002

(**) Term: **15 Years**

(Continued)

(21) Appl. No.: **29/554,573**

OTHER PUBLICATIONS

(22) Filed: **Feb. 12, 2016**

International Search Report and Written Opinion dated Jul. 29,
2014, International Application No. PCT/US2014/028161.

(51) **LOC (10) Cl.** **06-01**

(52) **U.S. Cl.**
USPC **D6/716.4**

Primary Examiner — Mimoso De
(74) *Attorney, Agent, or Firm* — Warner Norcross & Judd
LLP

(58) **Field of Classification Search**
USPC D6/334-336, 364, 365, 366, 374, 379,
D6/380, 604, 716, 716.4, 716.7
CPC .. A47C 7/38; A47C 7/022; A47C 7/40; A47C
7/004; A47C 7/46; A47C 7/462; A47C
7/467; B60N 2/66

(57) **CLAIM**

The ornamental design for a lumbar support for a chair, as
shown and described.

See application file for complete search history.

DESCRIPTION

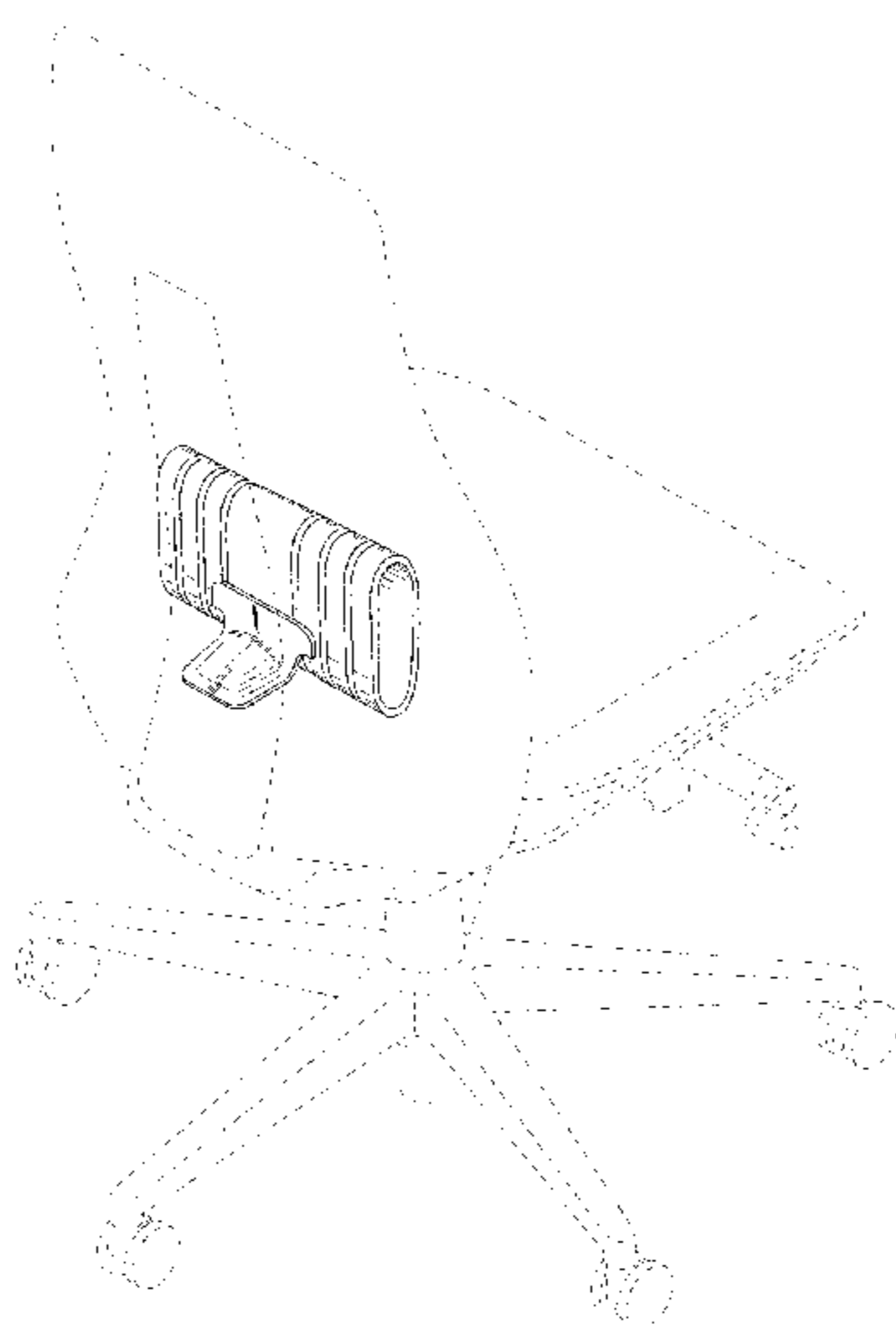
(56) **References Cited**

U.S. PATENT DOCUMENTS

3,353,869 A 11/1967 Getz et al.
3,476,169 A 11/1969 Militano
4,049,315 A 9/1977 Jacobson
4,408,800 A 10/1983 Knapp
4,534,593 A * 8/1985 Ojala A47C 7/46
297/284.2
4,556,254 A 12/1985 Roberts
4,615,563 A * 10/1986 Kobayashi A47C 7/022
297/284.11
4,658,807 A 4/1987 Swain
4,744,603 A 5/1988 Knoblock

FIG. 1 is a rear perspective view of the lumbar support for
a chair embodying the new design;
FIG. 2 is a right side view thereof;
FIG. 3 is a left side view thereof;
FIG. 4 is a front view thereof;
FIG. 5 is a rear view thereof;
FIG. 6 is a top view thereof; and,
FIG. 7 is a bottom view thereof.
FIGS. 1-7 show portions of a chair in broken lines. The
portions shown in broken lines are for environmental pur-
poses only and form no part of the claimed design.

1 Claim, 6 Drawing Sheets



(56)

References Cited

U.S. PATENT DOCUMENTS

D383,928 S * 9/1997 Earleywine, Jr. D6/716.7
 5,826,937 A 10/1998 Massara
 5,951,109 A 9/1999 Roslund et al.
 5,988,757 A 11/1999 Vishey et al.
 6,572,190 B2 6/2003 Koepke et al.
 6,910,736 B2 6/2005 White
 6,971,717 B1 12/2005 Rhodes
 7,032,971 B2 4/2006 Williams
 D540,606 S * 4/2007 Greenberg D6/604
 7,344,194 B2 * 3/2008 Maier A47C 7/46
 297/284.4
 7,396,438 B2 7/2008 Scobie
 D587,942 S * 3/2009 Dallmann D6/716.4
 7,909,402 B2 3/2011 Chu et al.
 D683,552 S * 6/2013 Wu D6/366
 8,573,697 B1 * 11/2013 Su A47C 7/462
 297/284.7
 8,622,472 B2 1/2014 Rajaratnam
 D703,966 S * 5/2014 Wu D6/366
 2001/0008955 A1 7/2001 Garth
 2002/0130540 A1 9/2002 Rajasingham
 2004/0007910 A1 1/2004 Skelly
 2004/0104610 A1 6/2004 Jaskot et al.
 2004/0256899 A1 12/2004 Moore et al.
 2006/0103214 A1 5/2006 Andersson et al.
 2006/0181126 A1 8/2006 Eysing
 2006/0255635 A1 11/2006 Iijima et al.
 2007/0102987 A1 5/2007 Chen

2009/0102268 A1 4/2009 Schmitz et al.
 2009/0261644 A1 10/2009 Piretti
 2010/0187882 A1 7/2010 Chen
 2012/0061988 A1 3/2012 Jaranson et al.
 2012/0299350 A1 11/2012 Willingham
 2013/0221724 A1 8/2013 Fowler
 2014/0062154 A1 3/2014 Minino et al.
 2014/0117738 A1 5/2014 Takahashi et al.
 2014/0183914 A1 7/2014 Cvek

FOREIGN PATENT DOCUMENTS

CN	1470420	1/2004
CN	1564666	1/2005
CN	1575142	2/2005
CN	101715310	5/2010
DE	102007002284	7/2008
DE	102008009509	8/2009
DE	102011100708	11/2012
EP	1232703	8/2002
EP	1693248	8/2006
EP	1785070	5/2007
EP	1911374	4/2008
EP	1946676	7/2008
WO	9212654	8/1992
WO	9848670	11/1998
WO	9848671	11/1998
WO	0022961	4/2000
WO	03063651	8/2003
WO	2012167940	12/2012

* cited by examiner

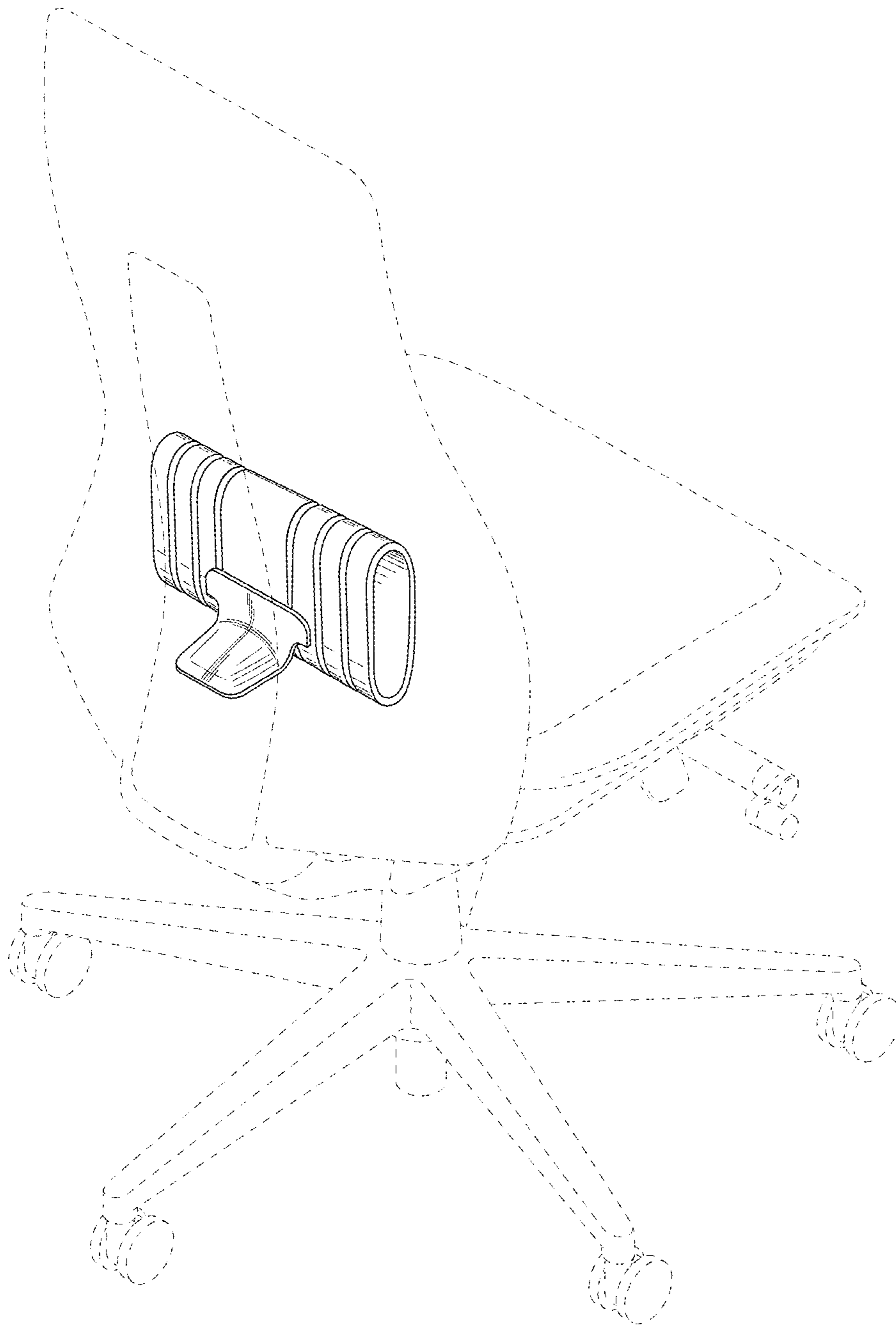


Fig. 1

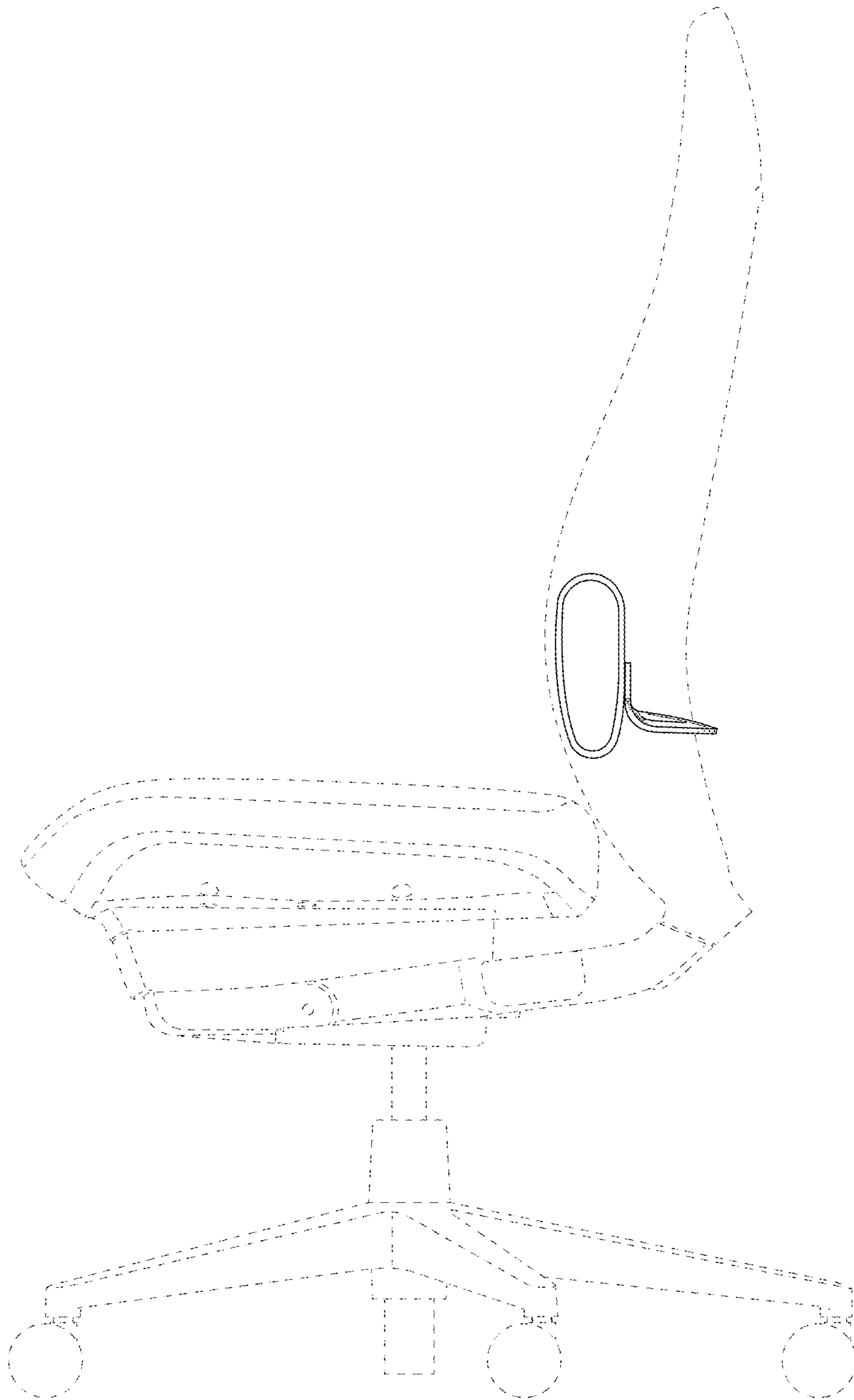


Fig. 2

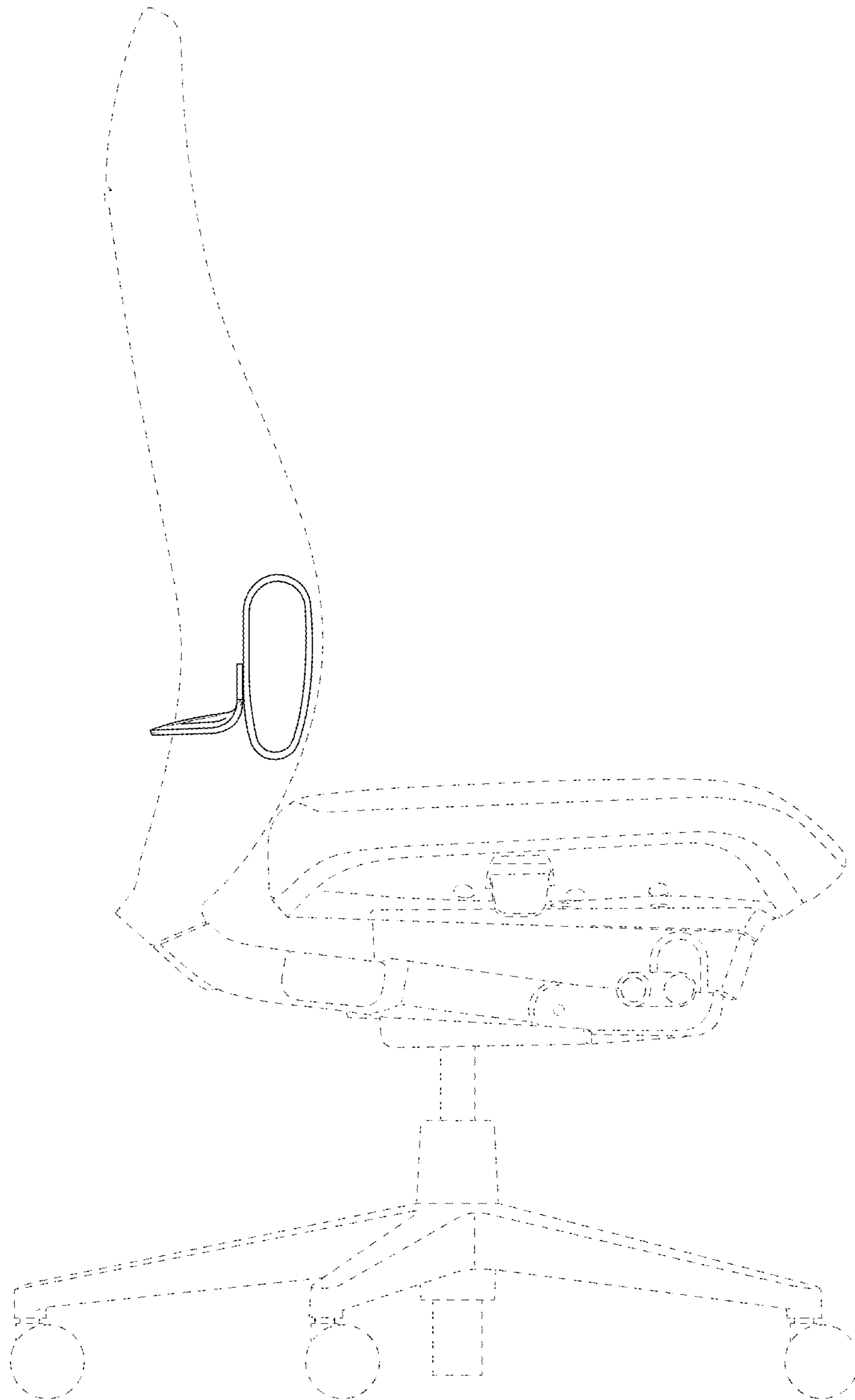


Fig. 3

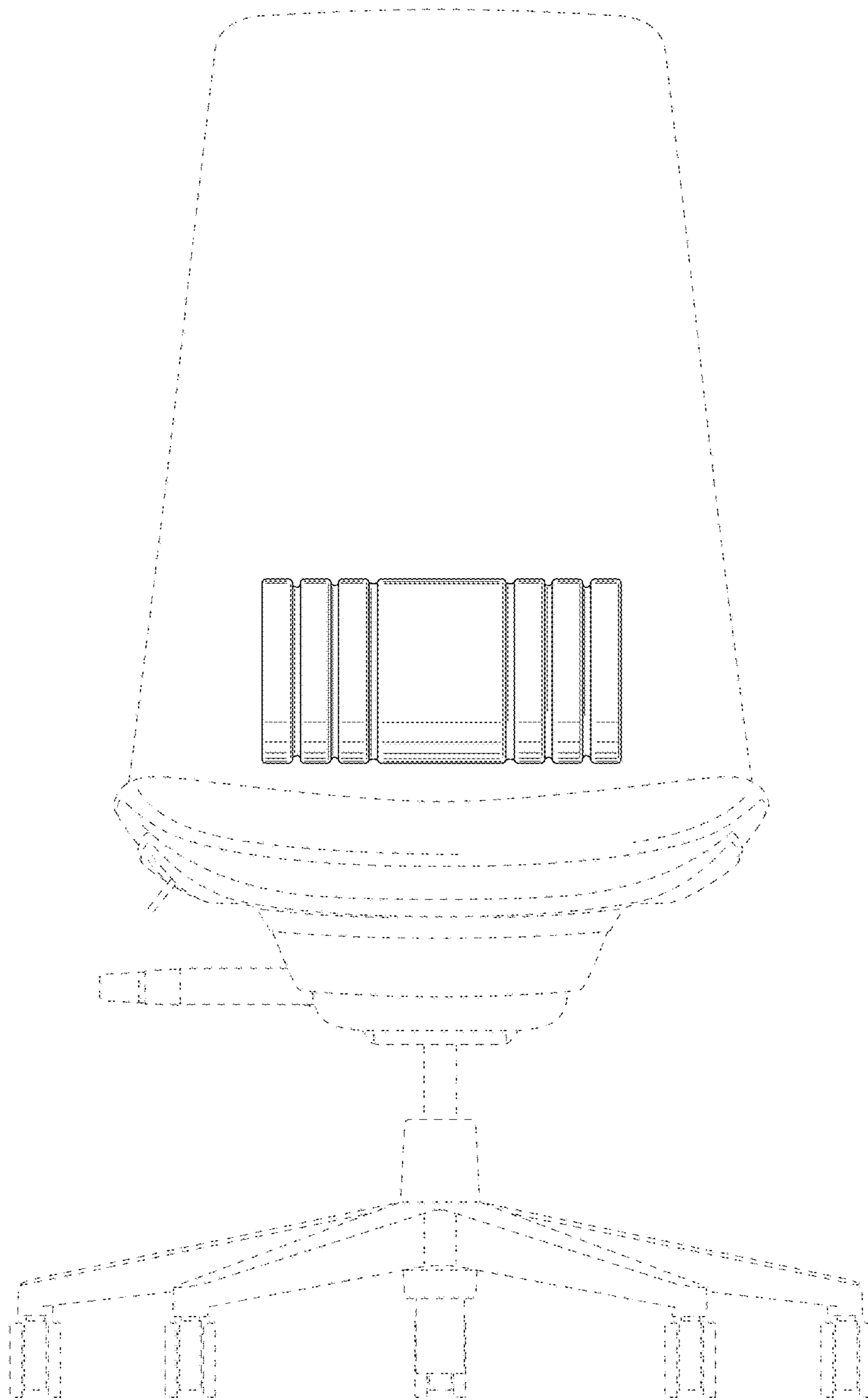


Fig. 4

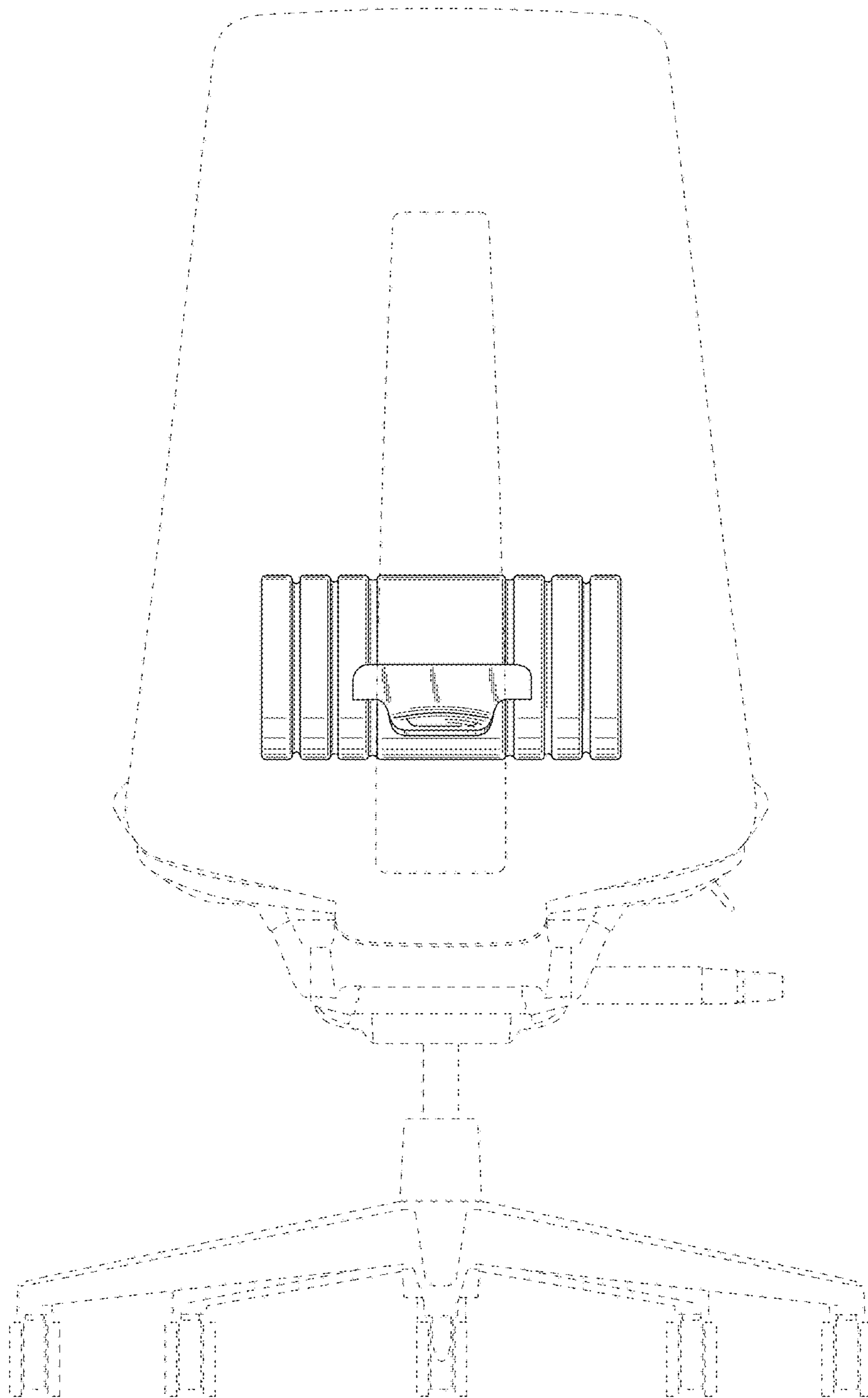


Fig. 5

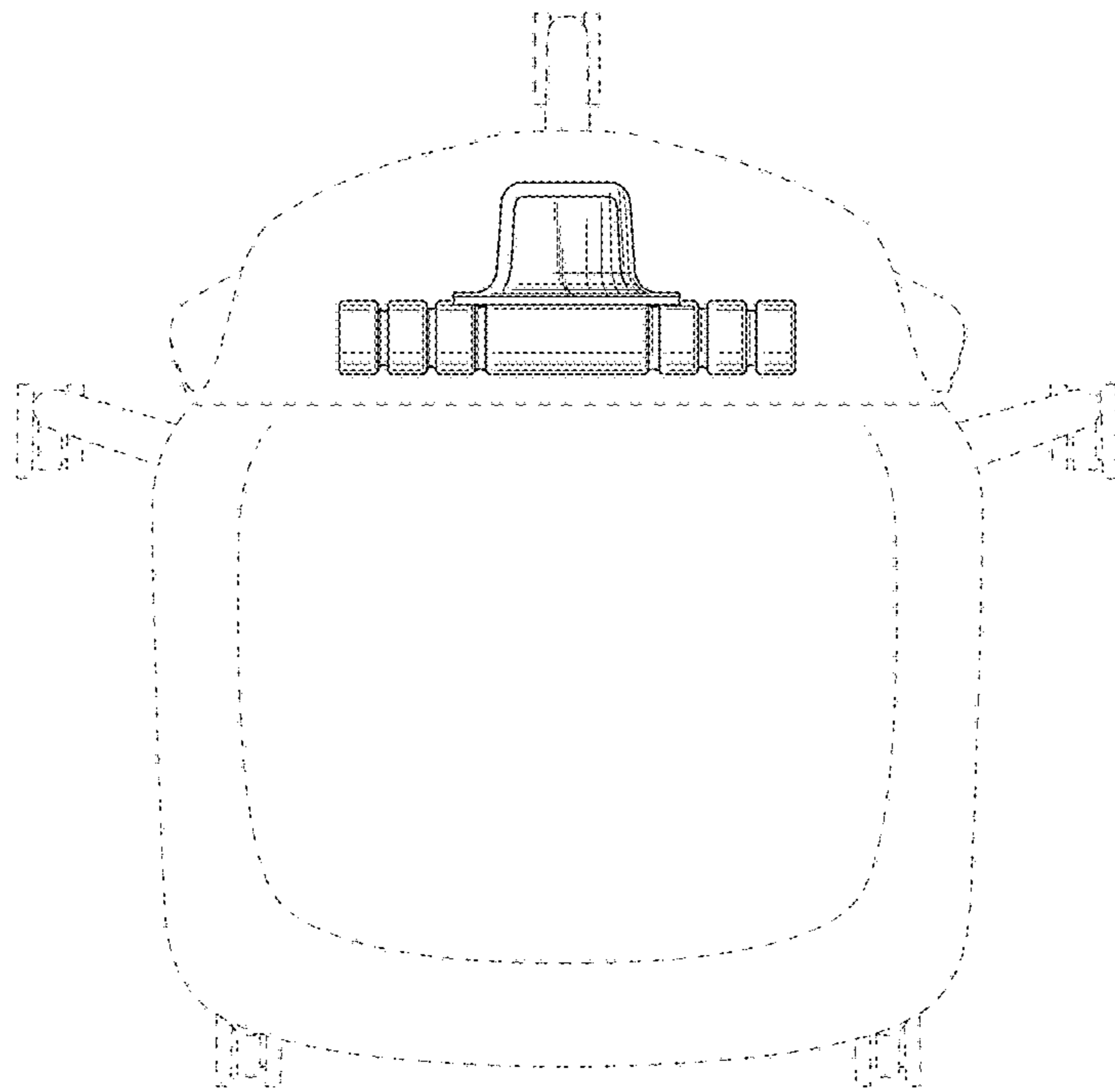


Fig. 6

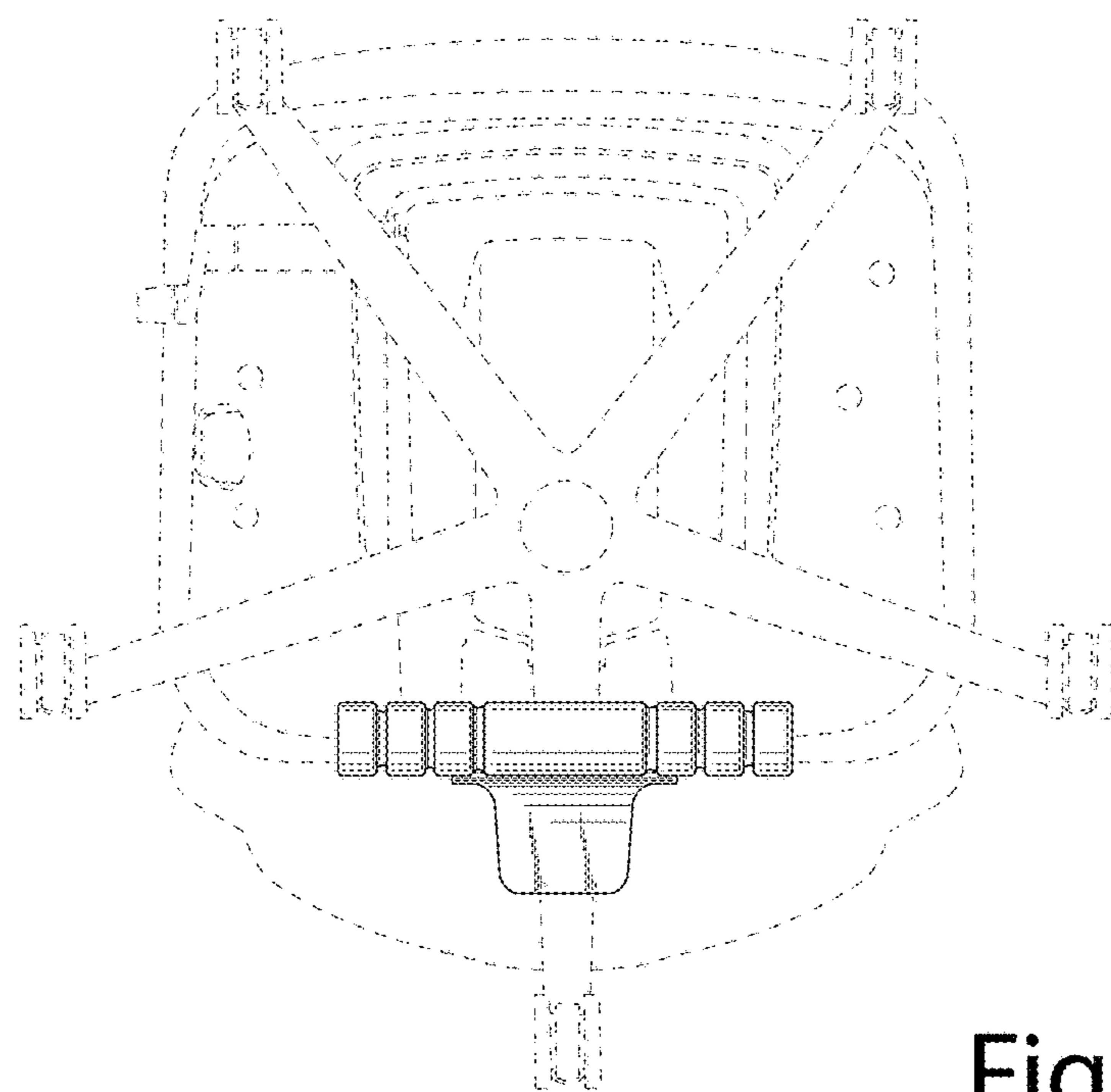


Fig. 7