



US00D784748S

(12) **United States Design Patent**
Tsai

(10) **Patent No.:** **US D784,748 S**

(45) **Date of Patent:** **** Apr. 25, 2017**

(54) **CHAIR BACK**

(71) Applicant: **Hsuan-Chin Tsai, Chia-Yi Hsien (TW)**

(72) Inventor: **Hsuan-Chin Tsai, Chia-Yi Hsien (TW)**

(73) Assignee: **Zhongshan Shi Songlin Furniture Co., Ltd., Zhongshan, Guangdong Prov. (CN)**

(**) Term: **15 Years**

(21) Appl. No.: **29/541,339**

(22) Filed: **Oct. 2, 2015**

(51) **LOC (10) Cl.** **06-01**

(52) **U.S. Cl.**
USPC **D6/716.4**

(58) **Field of Classification Search**
USPC D6/364-368, 374, 716, 716.4; 297/284.4, 297/344.19, 353, 411.2, 452.18, 452.24, 297/452.26, 452.28, 452.32-33, 452.37
CPC A47C 7/02; A47C 7/44; A47C 7/46; A47C 7/48; A47C 7/54; A47C 7/386; A47C 7/462; A47C 1/10; A47C 1/031; B60N 2/02; B60N 2/22; B60N 2/44
See application file for complete search history.

(56) **References Cited**

U.S. PATENT DOCUMENTS

D467,444 S * 12/2002 Hess D6/370
D501,333 S * 2/2005 Piretti D6/366

D509,975 S * 9/2005 Pan D6/366
D510,671 S * 10/2005 Wu D6/366
D510,826 S * 10/2005 Pan D6/366
D543,717 S * 6/2007 Chen D6/366
D661,916 S * 6/2012 Chen D6/366
D684,783 S * 6/2013 Hsiao D6/366
8,528,980 B1 * 9/2013 Hsiao A47C 7/46
297/284.4

* cited by examiner

Primary Examiner — Manpreet Matharu

Assistant Examiner — Keith Wilson

(74) *Attorney, Agent, or Firm* — Alan D. Kamrath; Kamrath IP Lawfirm, P.A.

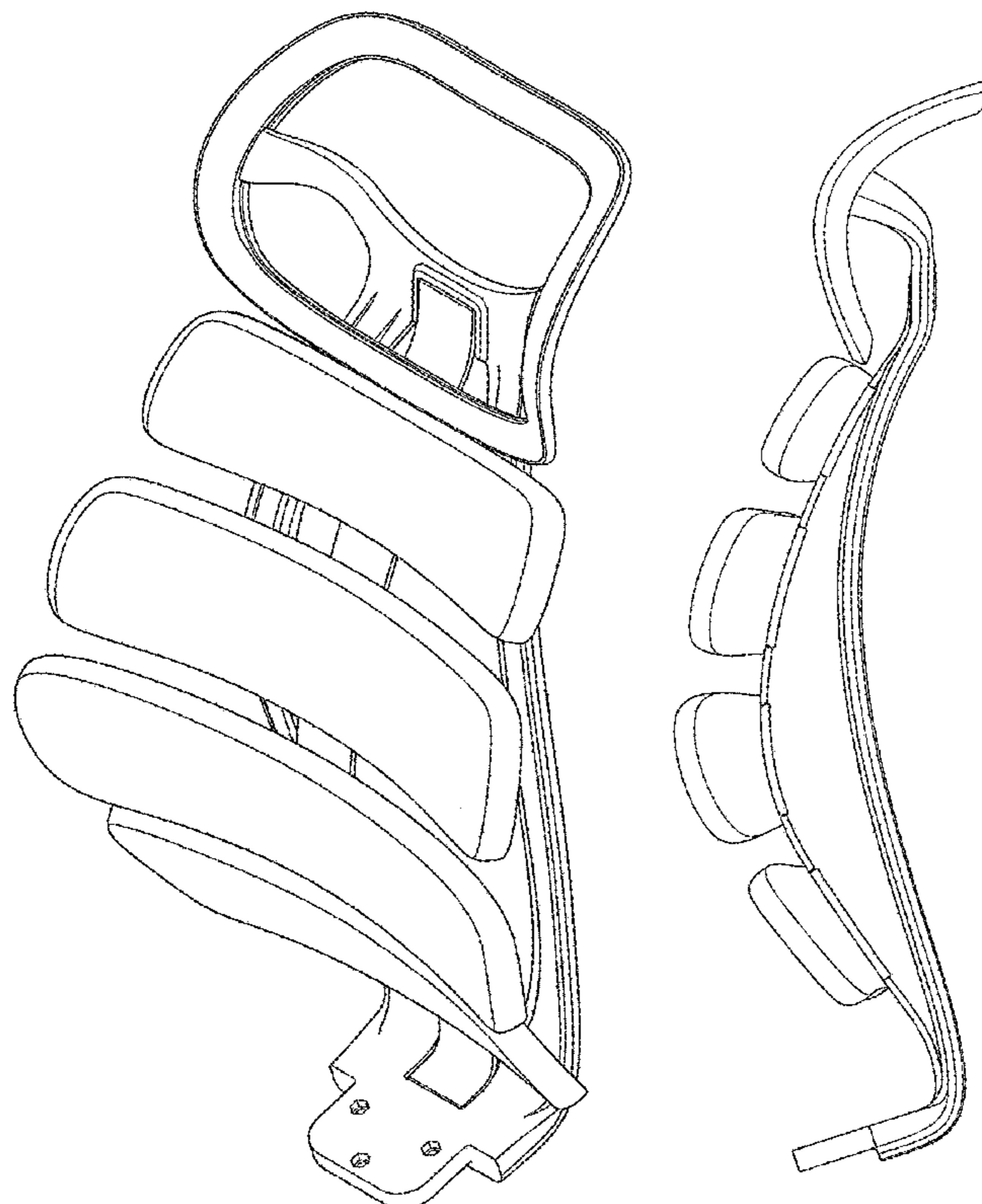
(57) **CLAIM**

The ornamental design for a chair back, as shown and described.

DESCRIPTION

FIG. 1 is a perspective view of a chair back frame, showing my new design;
FIG. 2 is a front elevational view thereof;
FIG. 3 is a rear elevational view thereof;
FIG. 4 is a left side view thereof;
FIG. 5 is a right side view thereof;
FIG. 6 is a top plan view thereof; and,
FIG. 7 is a bottom plan view thereof.

1 Claim, 5 Drawing Sheets



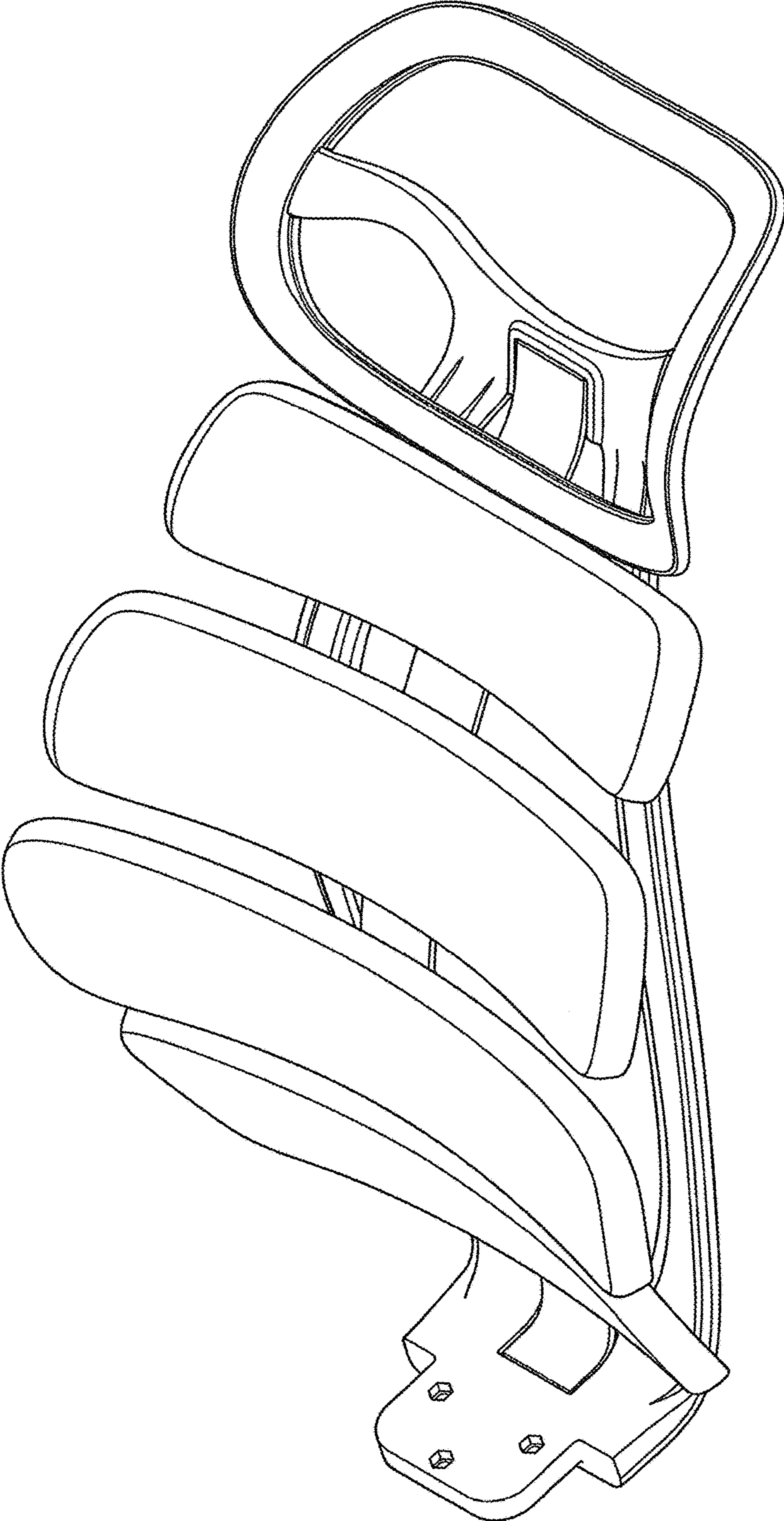


FIG. 1

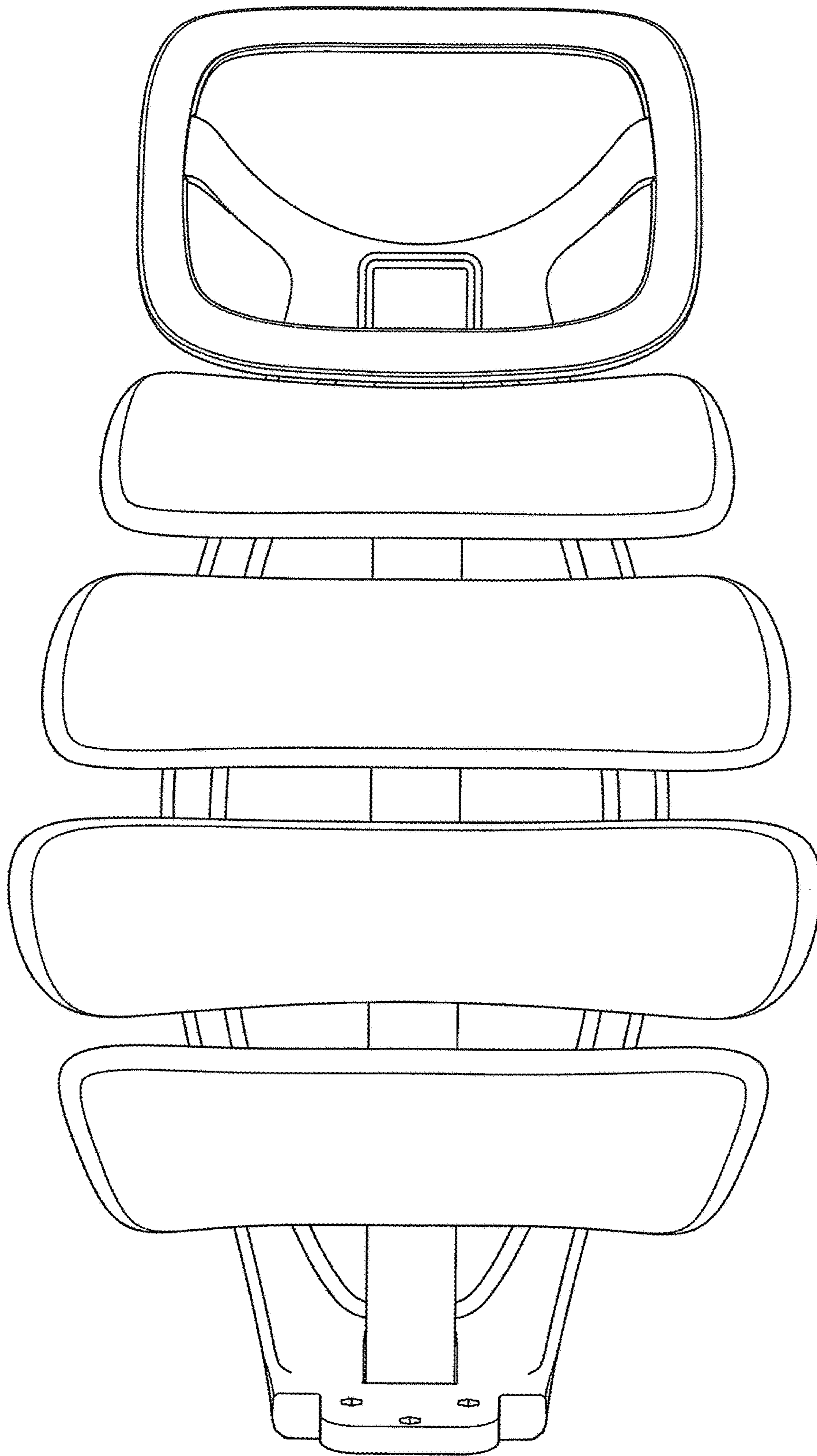


FIG. 2

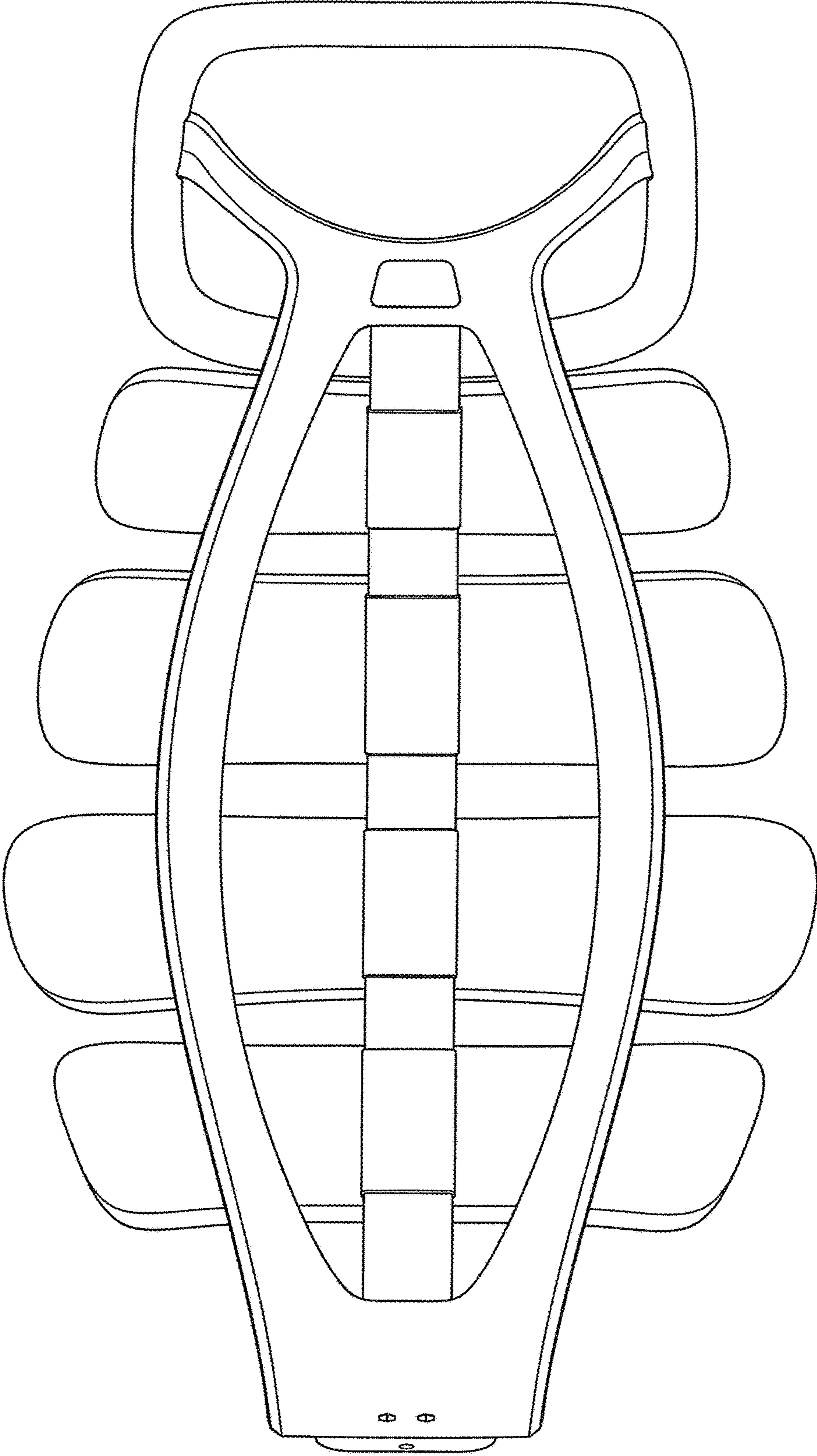


FIG. 3

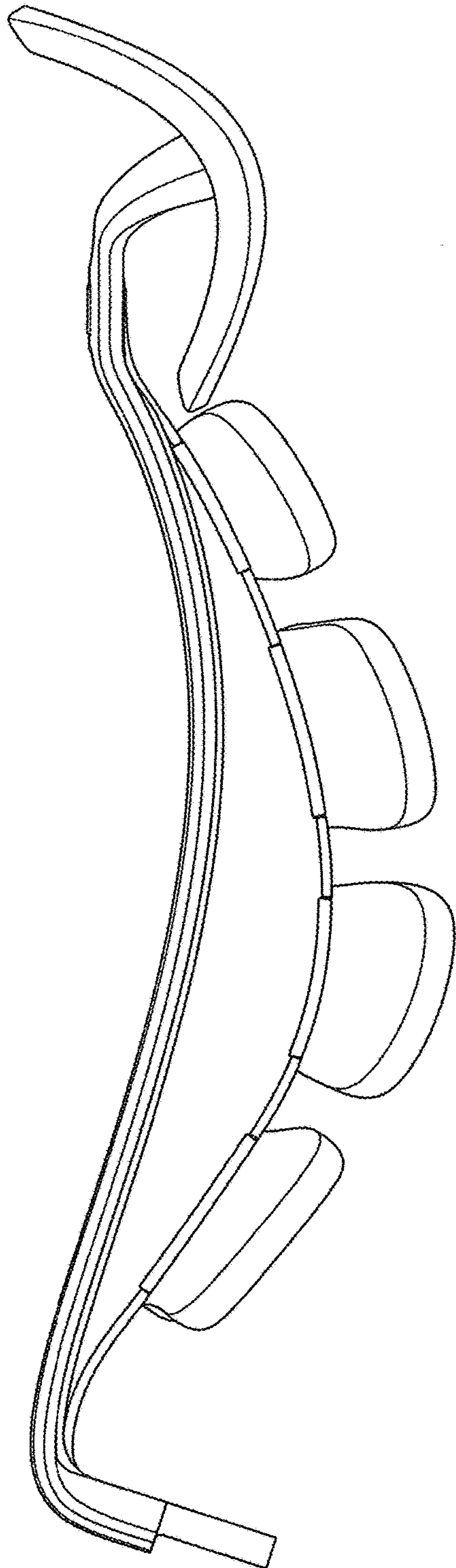


FIG. 4

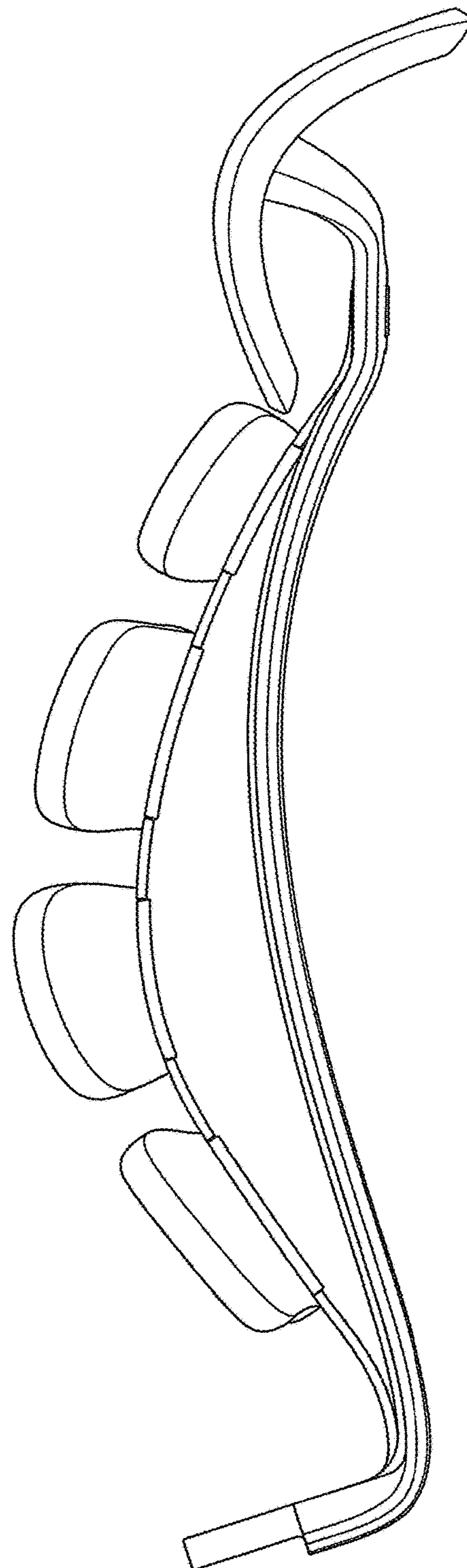


FIG. 5

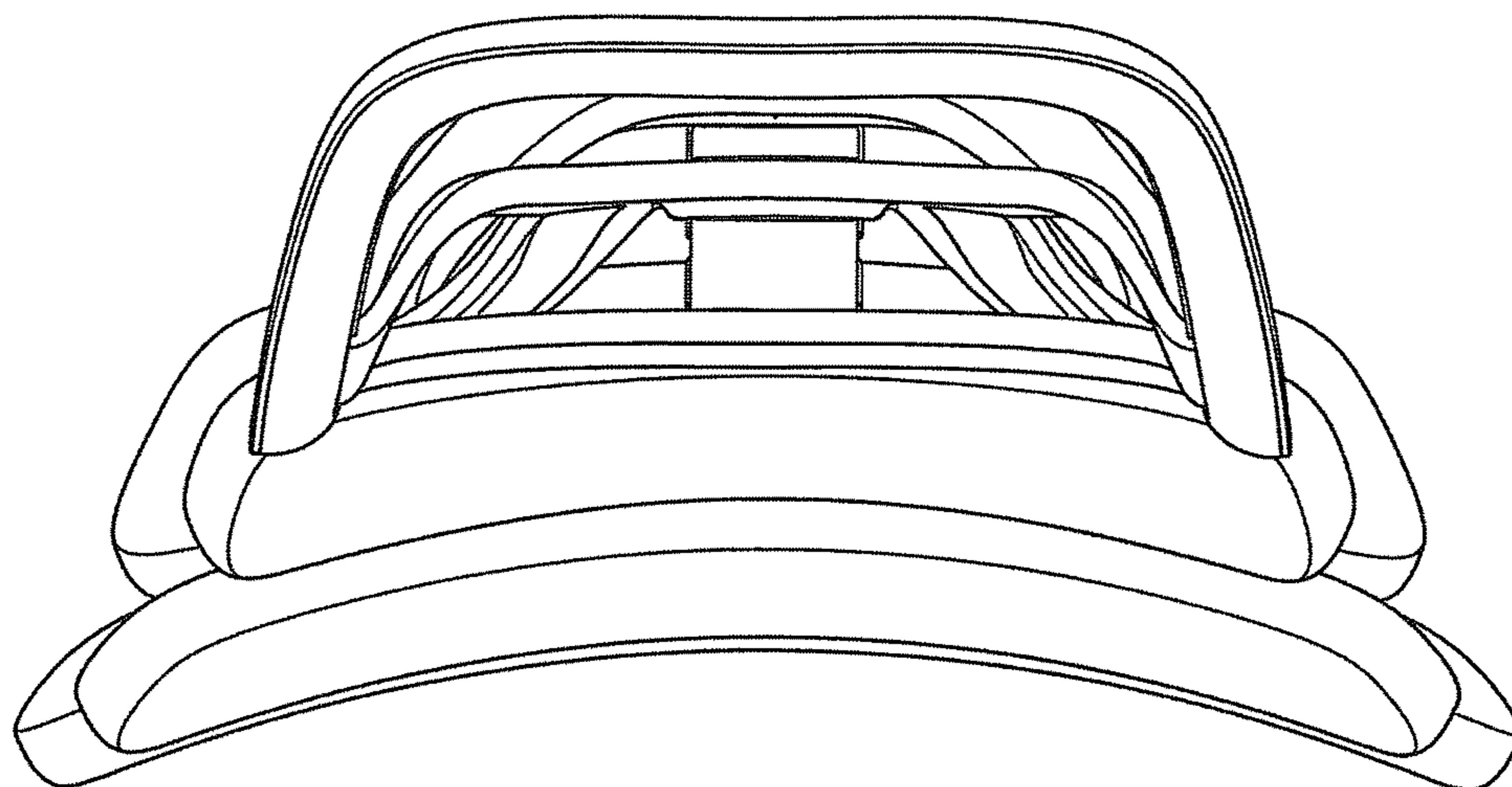


FIG. 6

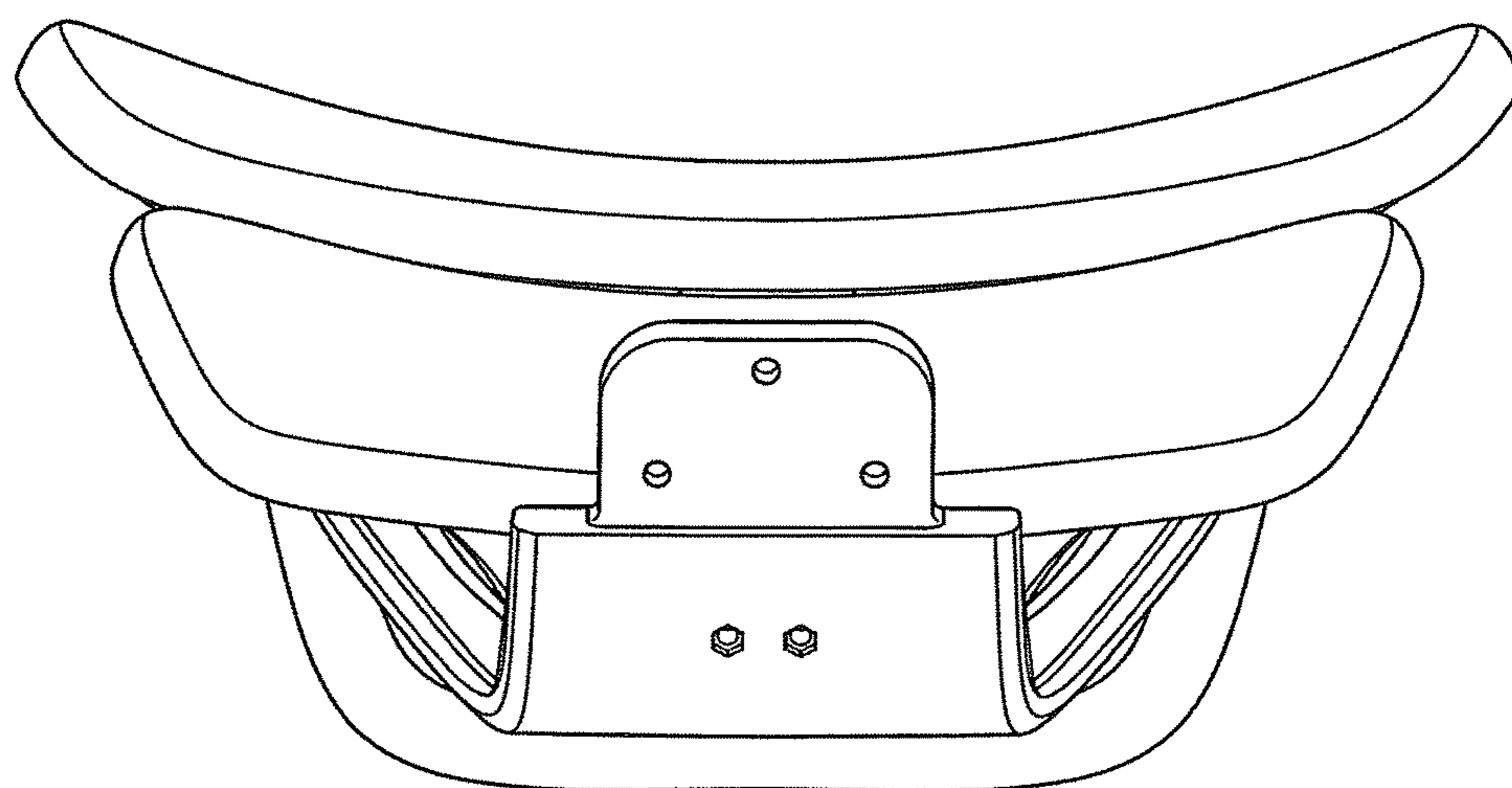


FIG. 7