



US00D784744S

(12) **United States Design Patent**
Burden

(10) **Patent No.:** **US D784,744 S**

(45) **Date of Patent:** **** Apr. 25, 2017**

(54) **TABLE**

(71) Applicant: **Ian James Burden**, Sovereign Islands (AU)

(72) Inventor: **Ian James Burden**, Sovereign Islands (AU)

(**) Term: **15 Years**

(21) Appl. No.: **29/526,819**

(22) Filed: **May 13, 2015**

(30) **Foreign Application Priority Data**

Nov. 13, 2014 (AU) 15824/2014

(51) **LOC (10) Cl.** **06-04**

(52) **U.S. Cl.**
USPC **D6/691.1**; D6/691; D6/707.18

(58) **Field of Classification Search**
USPC D6/691, 691.1, 675, 695.1, 707.18, 662
CPC A47B 7/00; A47B 13/00; A47B 13/02;
A47B 13/04; A47B 13/06; A47B 13/08;
A47B 13/088; A47B 2200/001; A47B
2200/11; A47B 91/00; A47B 91/005
See application file for complete search history.

(56) **References Cited**

U.S. PATENT DOCUMENTS

- D233,872 S * 12/1974 Jester D6/691.1
- D249,858 S * 10/1978 Gageby D6/691.1
- D442,391 S * 5/2001 Wu D6/691.1
- D475,869 S * 6/2003 Jackson D6/691.1
- D535,498 S * 1/2007 Domack D6/691.1
- D640,885 S * 7/2011 Clark D6/691
- D737,608 S * 9/2015 Everson D6/691.1

- D738,651 S * 9/2015 Everson D6/691.1
- D739,670 S * 9/2015 Pedersen D6/691.1
- D753,419 S * 4/2016 Heirakuji D6/675
- D757,470 S * 5/2016 Pedersen D6/686
- 2003/0019404 A1* 1/2003 Liu A47B 1/04
108/77

* cited by examiner

Primary Examiner — Robin V Webster

Assistant Examiner — James Thorn, Sr.

(74) *Attorney, Agent, or Firm* — Dykema Gossett PLLC

(57) **CLAIM**

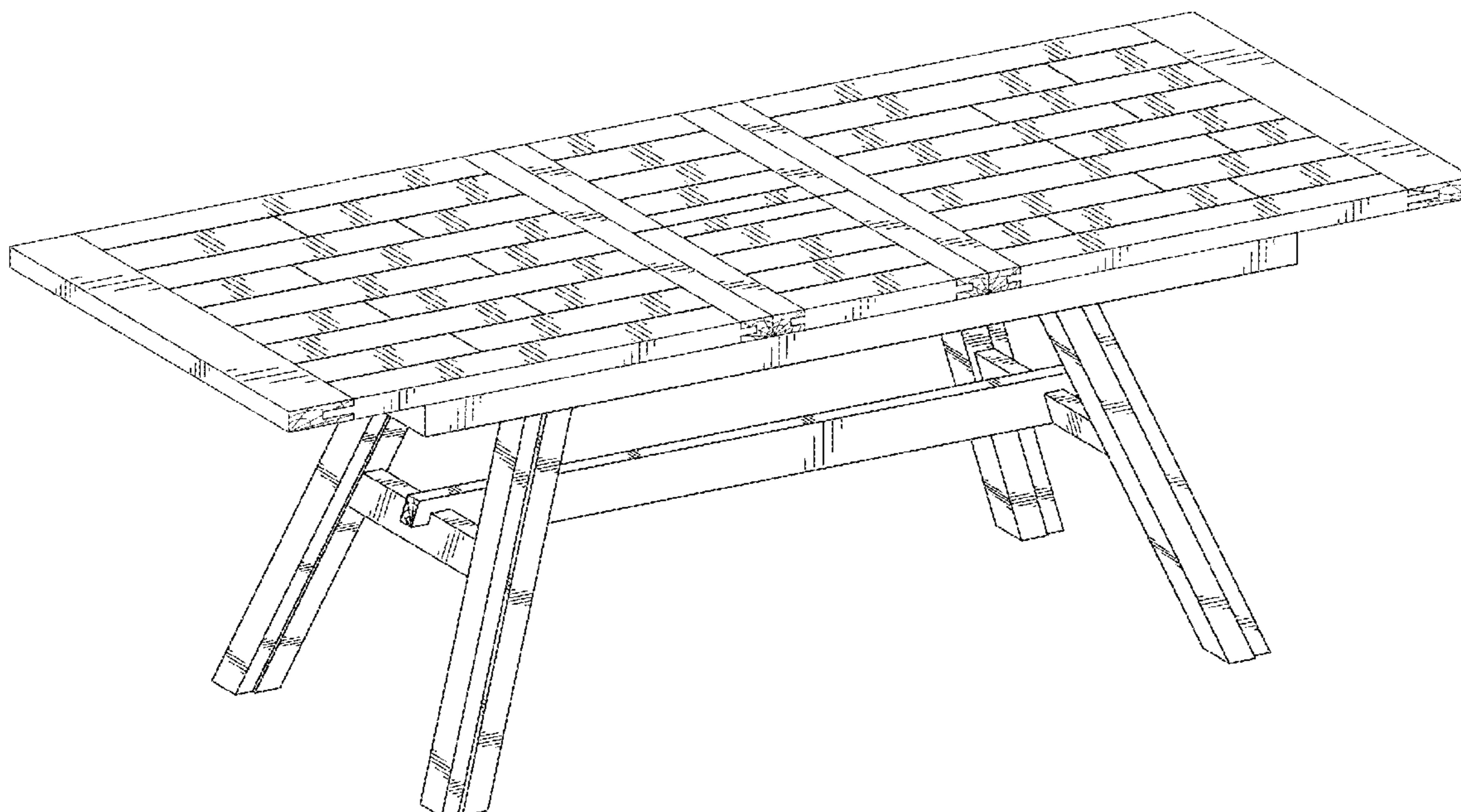
The ornamental design for a table, as shown and described.

DESCRIPTION

FIG. 1 is a perspective left side view of a first embodiment of a table showing my new and ornamental design, FIG. 2 is a perspective right side view thereof, FIG. 3 is an elevational side view thereof, the opposite side view being a mirror image, FIG. 4 is a bottom plan view thereof, FIG. 5 is a top plan view thereof, and FIG. 6 is an elevational end view thereof, the opposite end view being a mirror image; FIG. 7 is a perspective left side view of a second embodiment of a table according to my new and ornamental design, FIG. 8 is a perspective right side view thereof, FIG. 9 is an elevational side view thereof, the opposite side view being a mirror image, FIG. 10 is a bottom plan view thereof; and, FIG. 11 is a top plan view thereof, and the end views are identical to FIG. 6.

The broken lines shown in the drawings are included for the purpose of illustrating environmental structure and form no part of the claimed design.

1 Claim, 11 Drawing Sheets



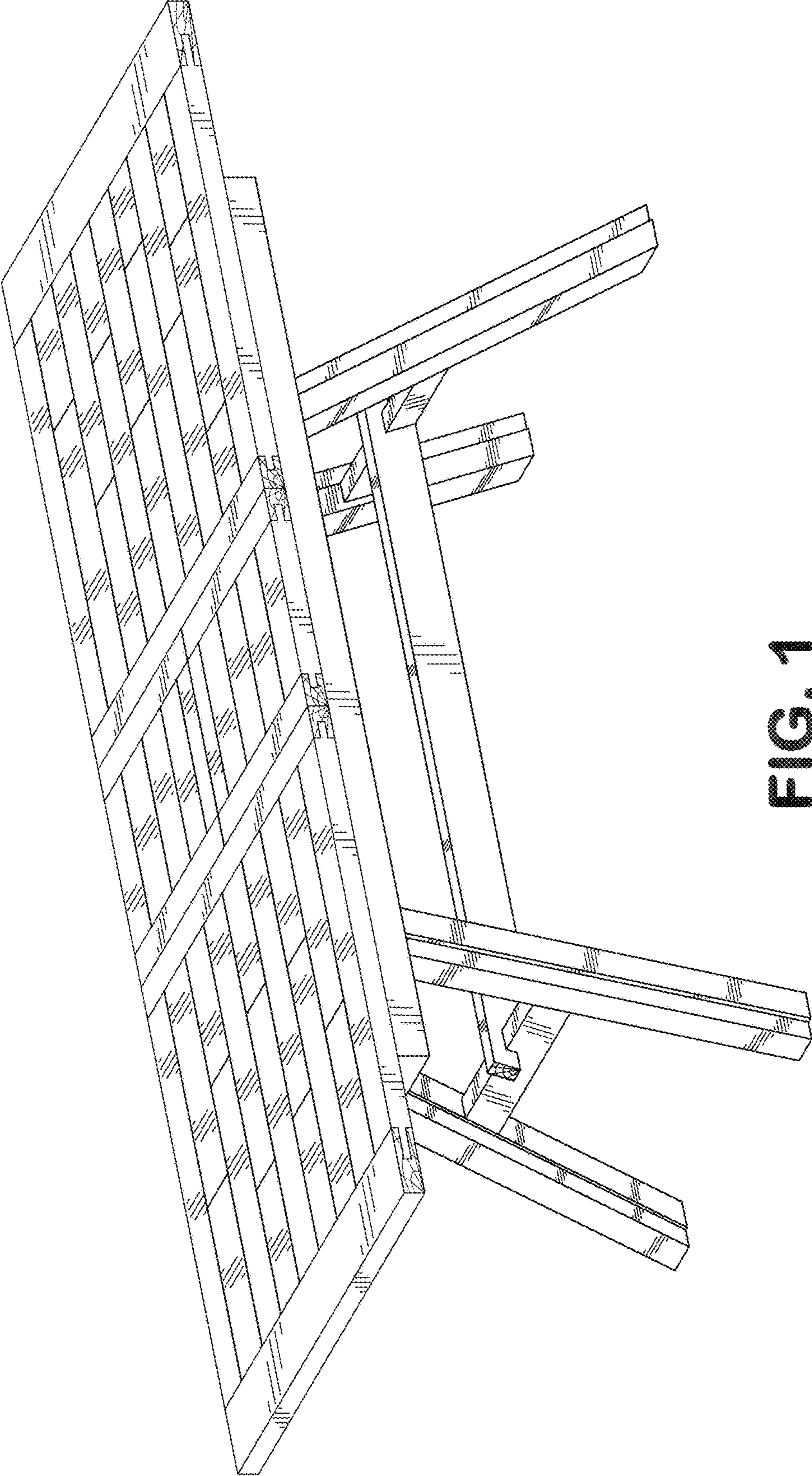


FIG. 1

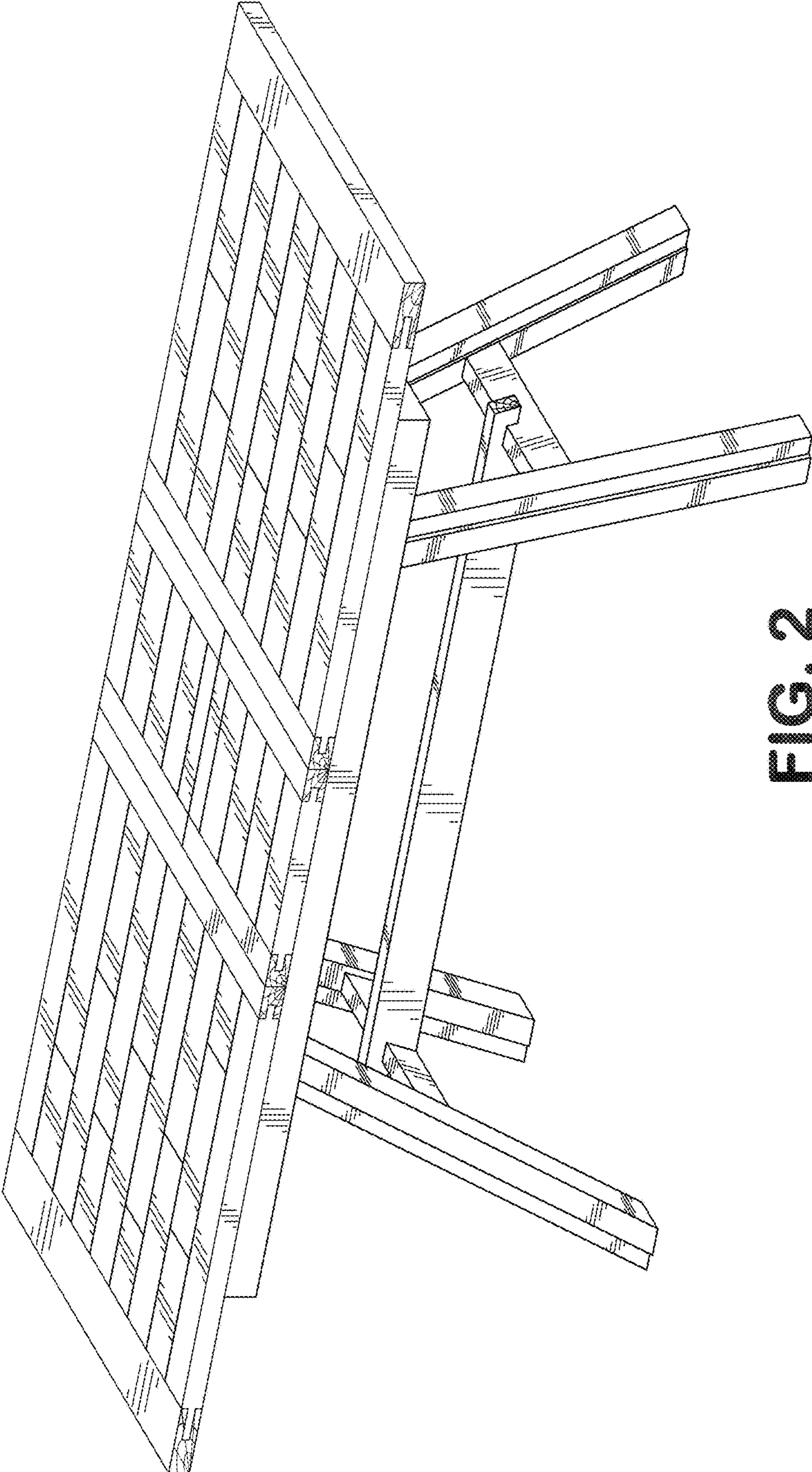


FIG. 2

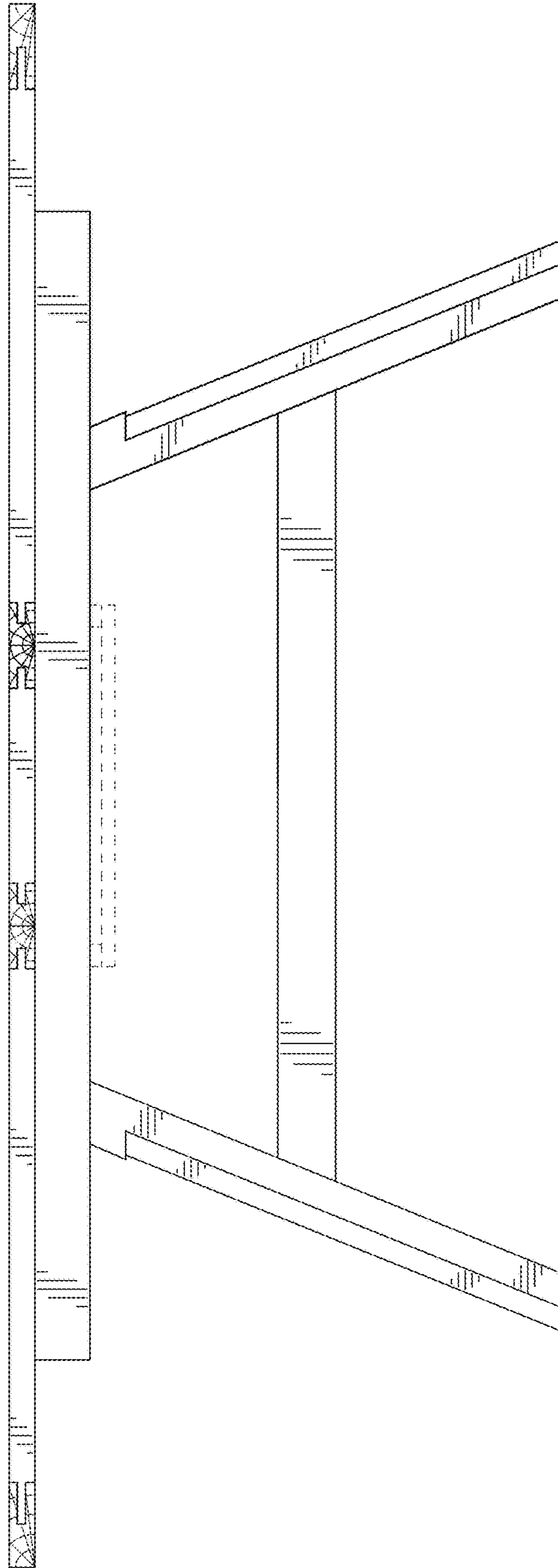


FIG. 3

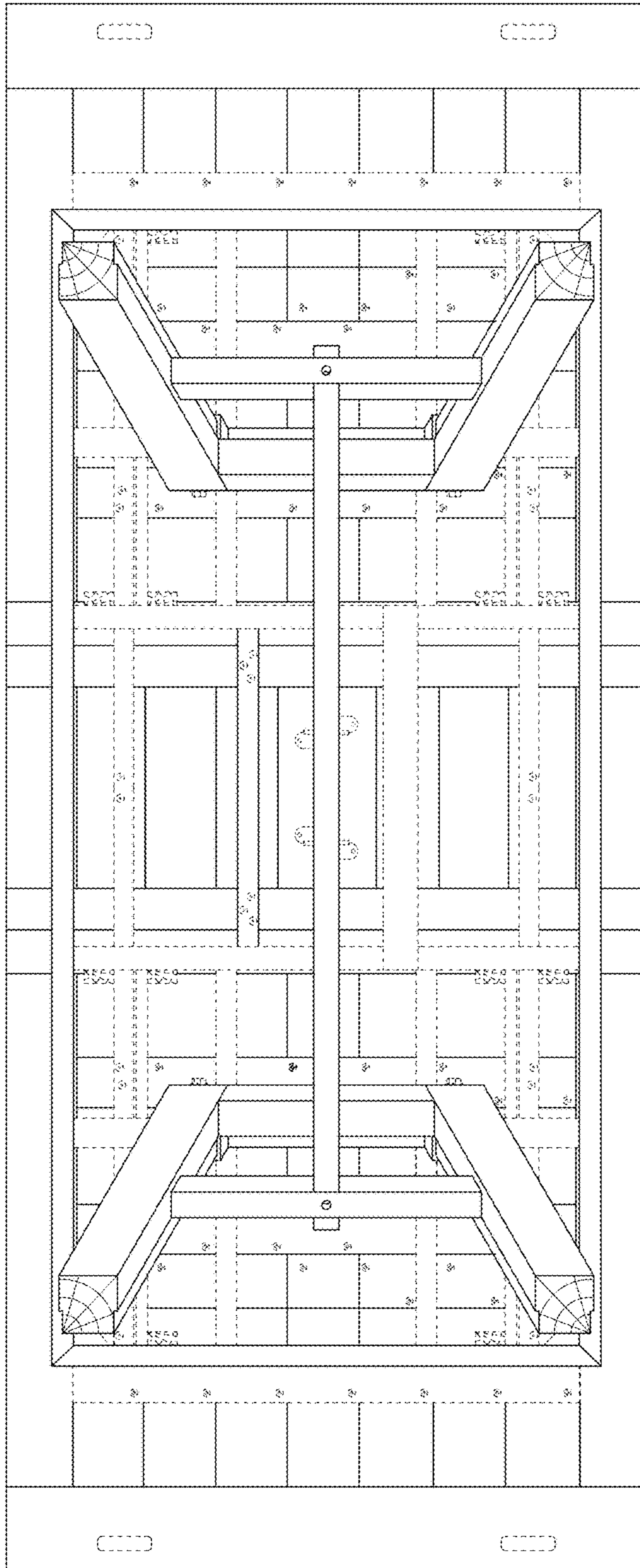


FIG. 4

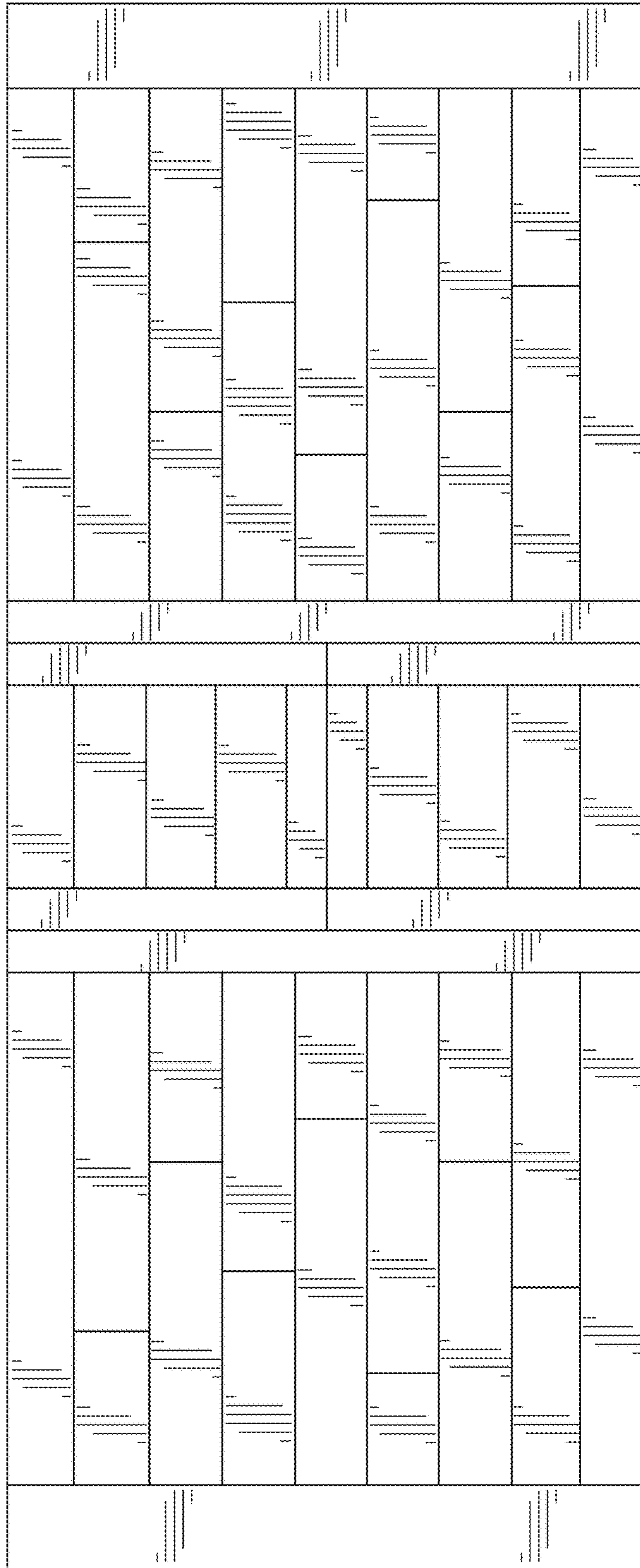


FIG. 5

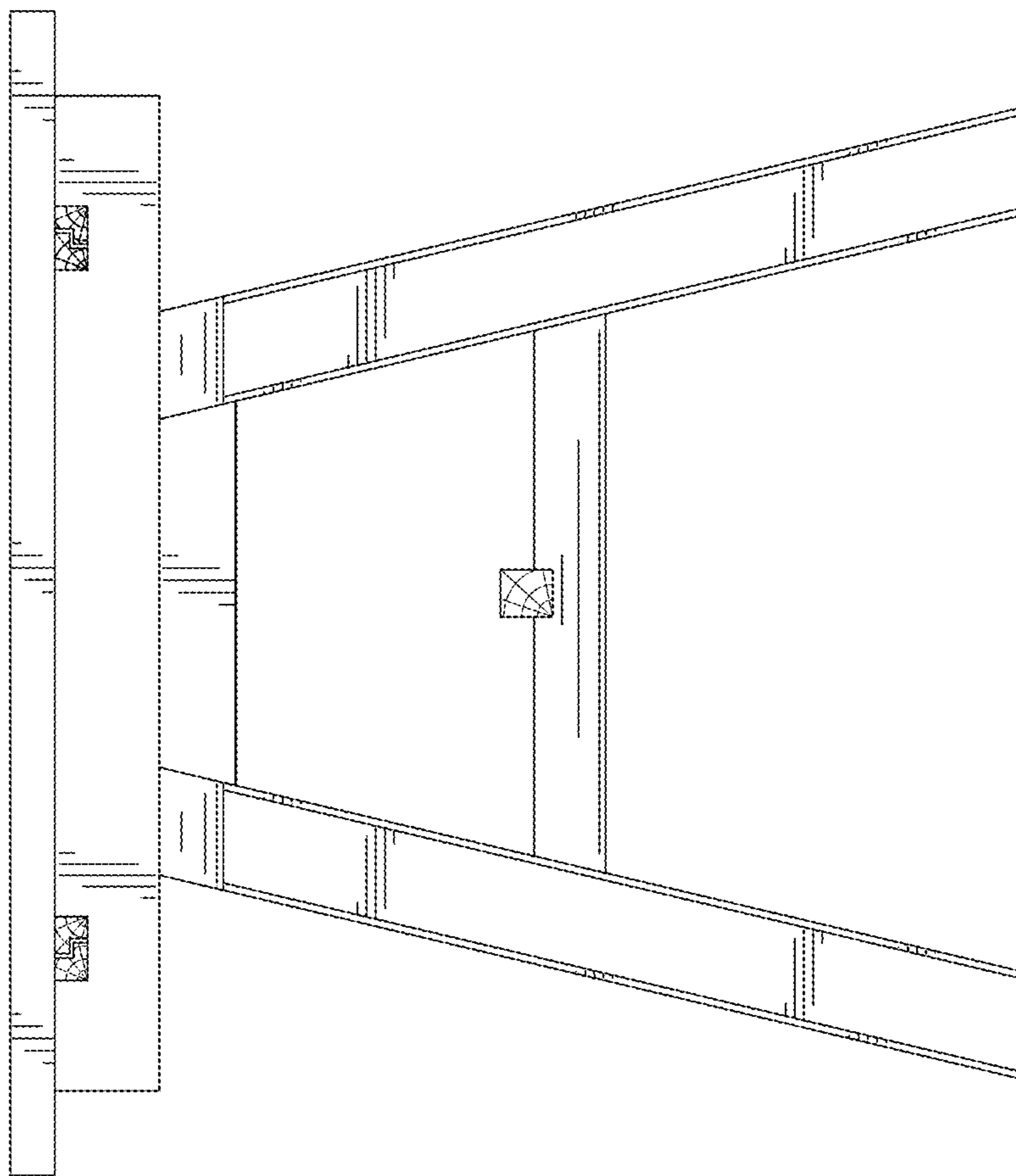


FIG. 6

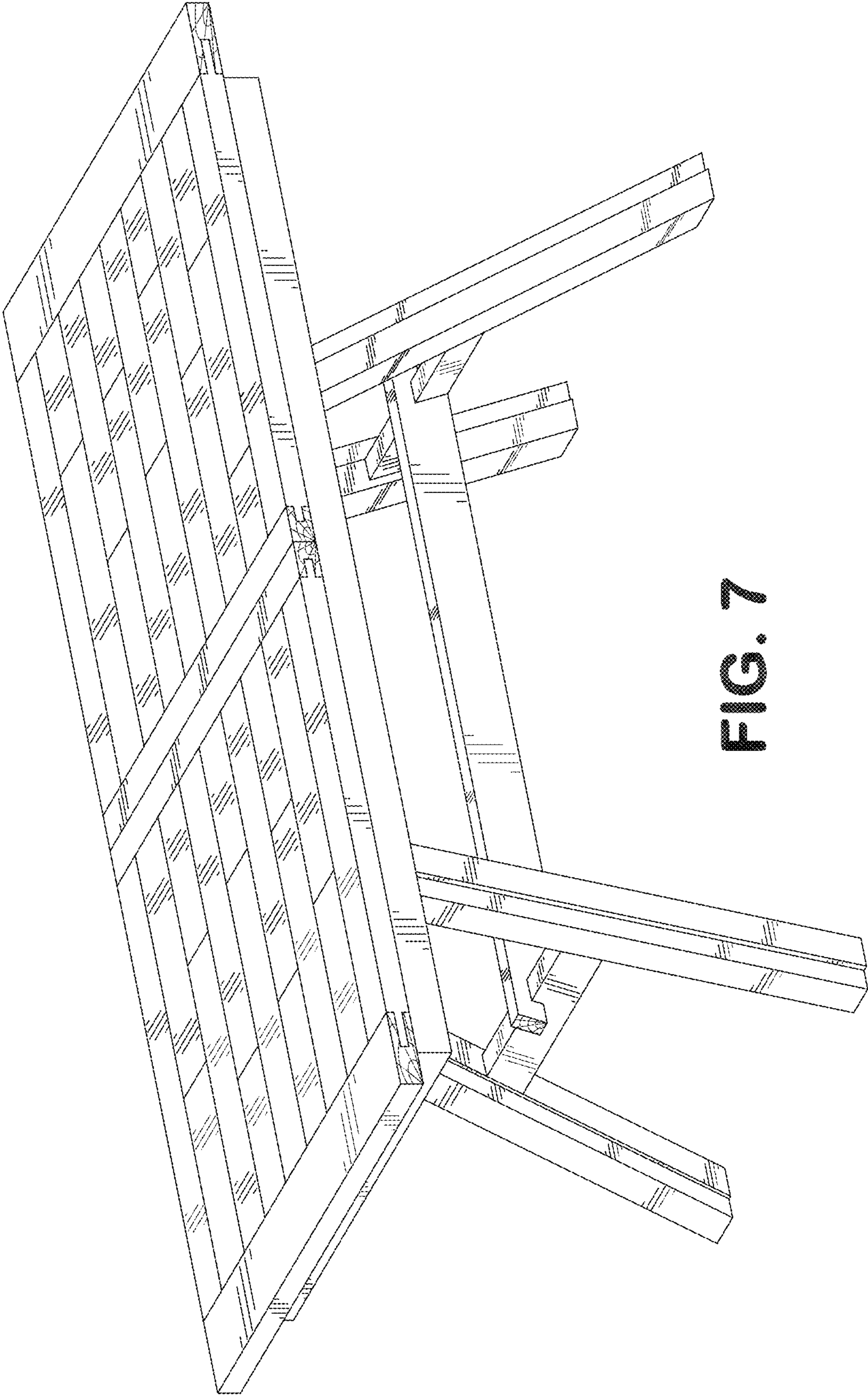


FIG. 7

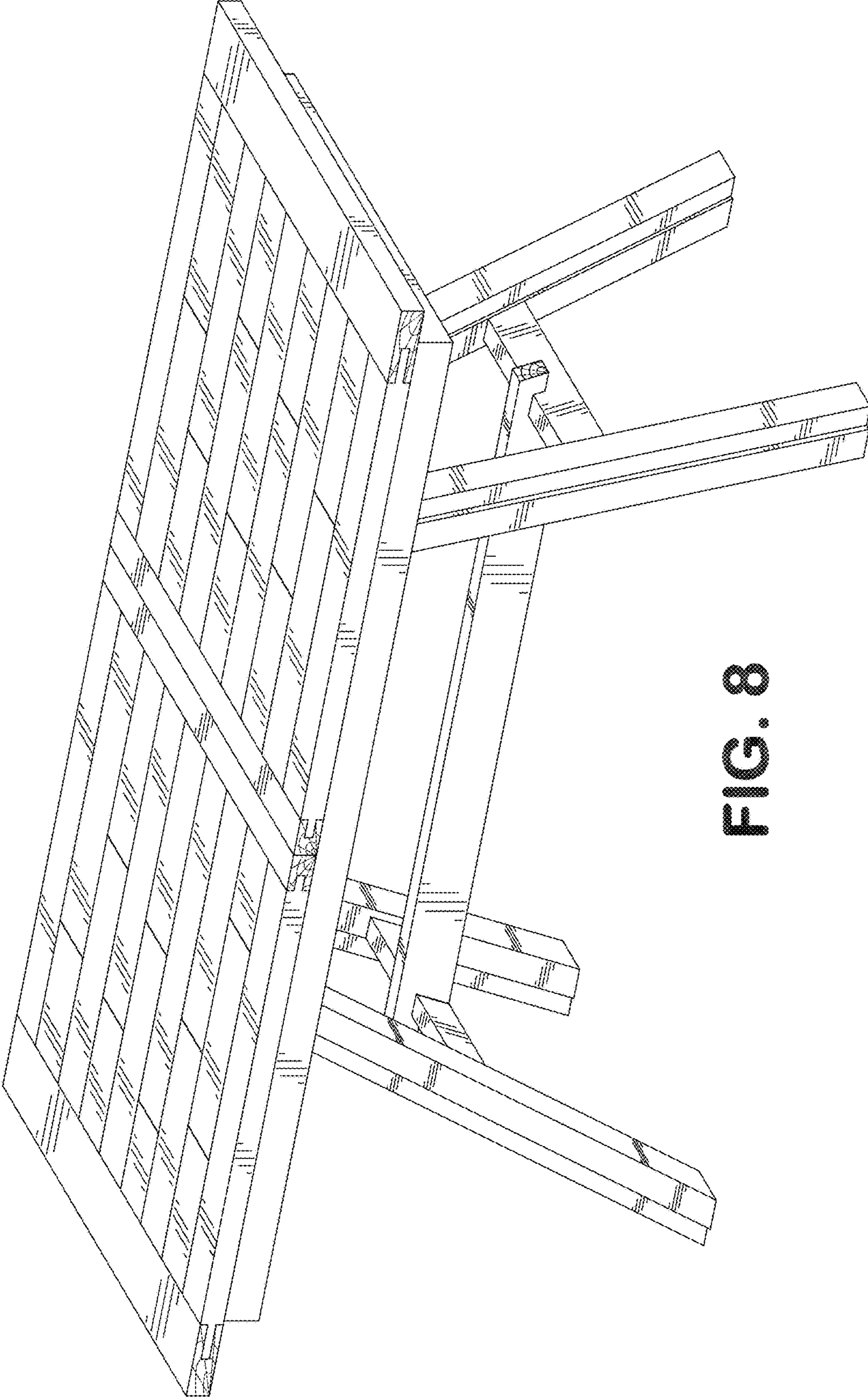


FIG. 8

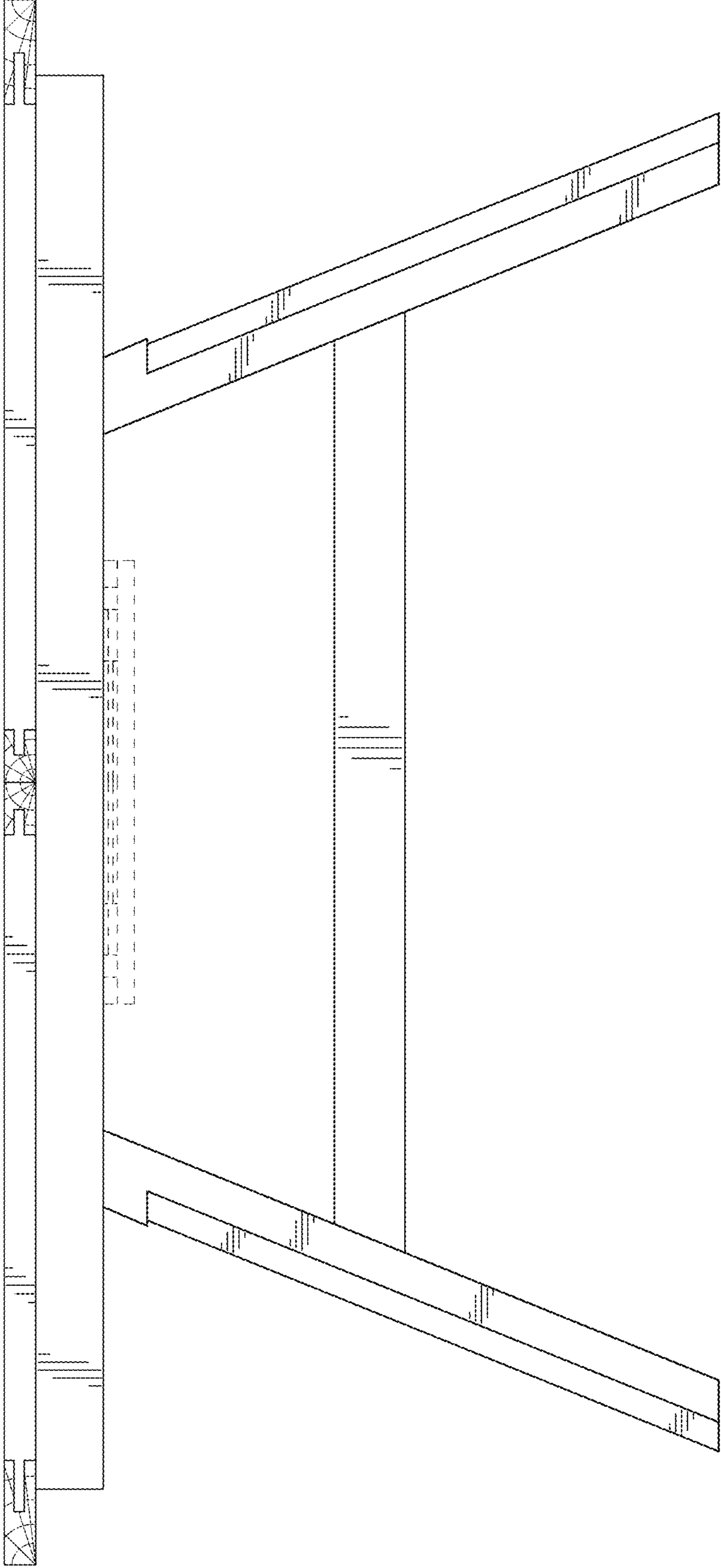


FIG. 9

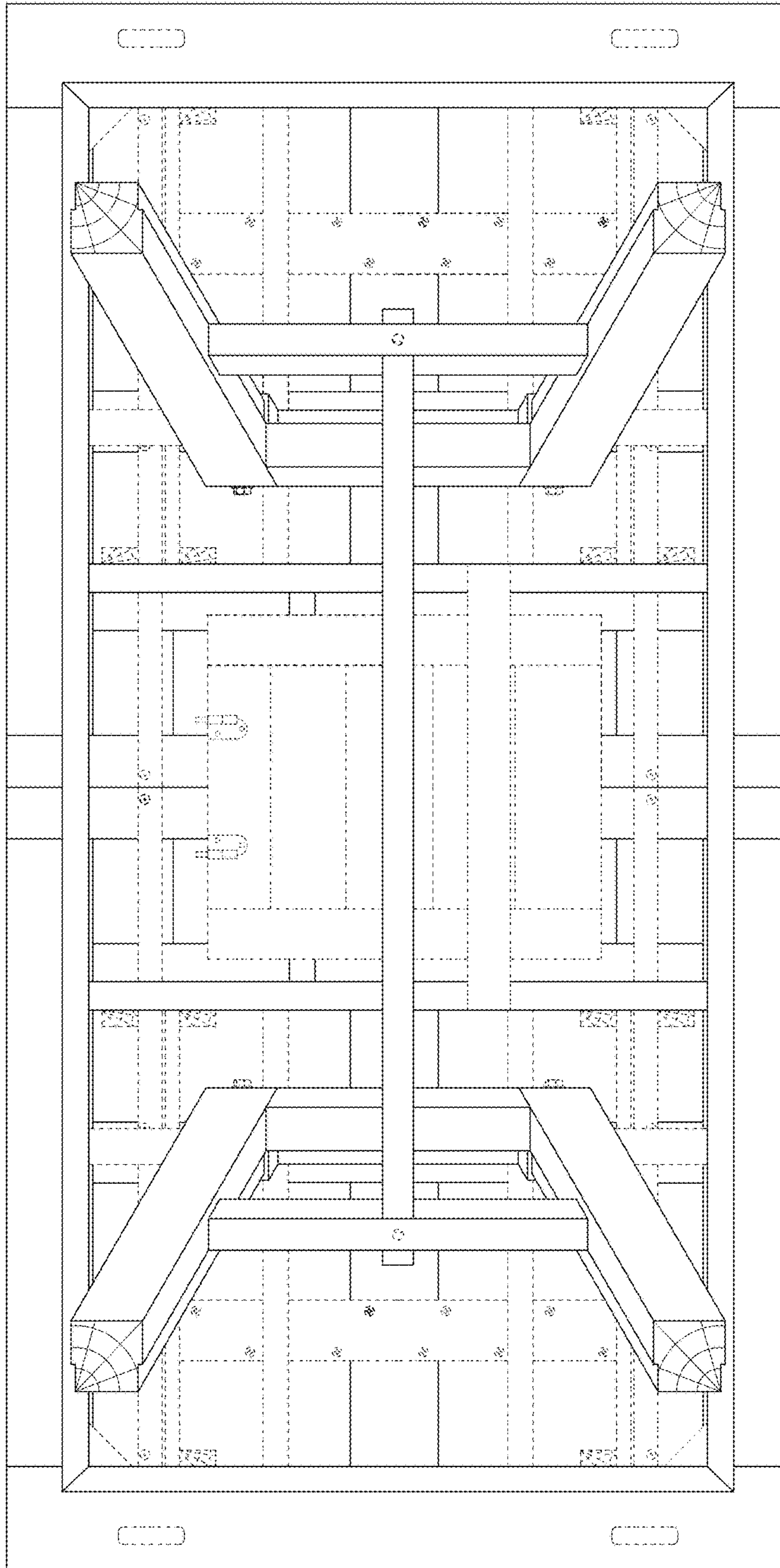


FIG. 10

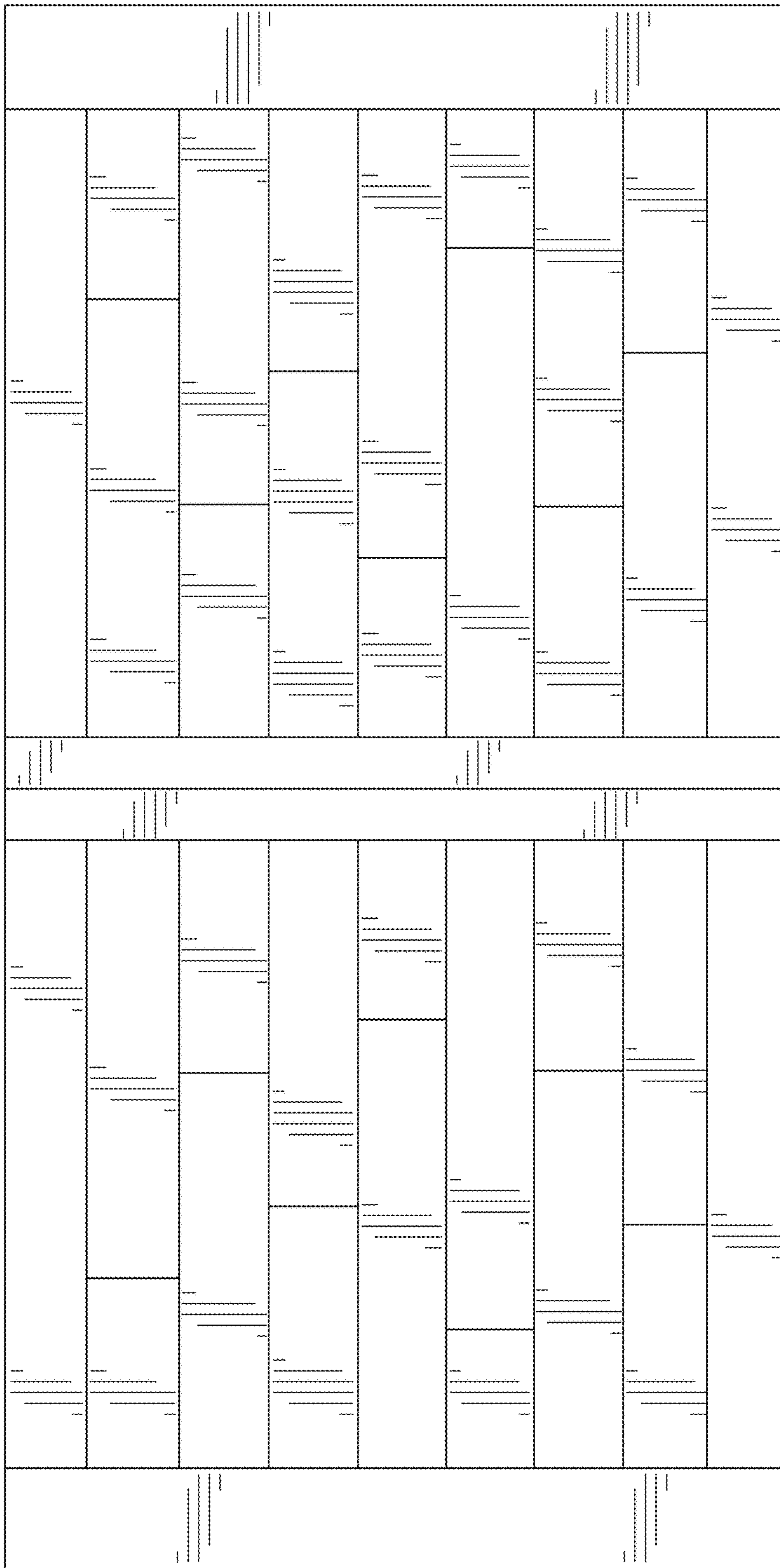


FIG. 11