



US00D784743S

(12) **United States Design Patent**  
**Grossinger et al.**

(10) **Patent No.:** **US D784,743 S**  
(45) **Date of Patent:** **\*\* Apr. 25, 2017**

(54) **TABLE**

(71) Applicant: **HOK PRODUCT DESIGN, LLC.**,  
Culver City, CA (US)

(72) Inventors: **Susan Grossinger**, Culver City, CA  
(US); **Brett Shwery**, Culver City, CA  
(US); **Javier Palomares**, Culver City,  
CA (US); **Junko Yamakawa**, Culver  
City, CA (US)

(73) Assignee: **HOK Products Design, LLC**, Culver  
City, CA (US)

(\*\*) Term: **15 Years**

(21) Appl. No.: **29/545,106**

(22) Filed: **Nov. 10, 2015**

(30) **Foreign Application Priority Data**

May 11, 2015 (JP) ..... 2015-010159  
May 11, 2015 (JP) ..... 2015-010160

(51) **LOC (10) Cl.** ..... **06-04**

(52) **U.S. Cl.**  
USPC ..... **D6/691**

(58) **Field of Classification Search**

USPC ... D6/691, 335, 340, 363, 712, 688.14, 675,  
D6/692, 707.2, 707.193; 108/155, 109  
CPC ..... A47B 3/00; A47B 3/002; A47B 13/02;  
A47B 13/04; A47B 13/08; A47B 13/088;  
A47B 91/00; A47B 91/005; A47B

(Continued)

(56) **References Cited**

**U.S. PATENT DOCUMENTS**

D386,328 S \* 11/1997 Good ..... D6/691.7  
D398,453 S \* 9/1998 Stead ..... D6/349

(Continued)

*Primary Examiner* — Robin V Webster

*Assistant Examiner* — James Thorn, Sr.

(74) *Attorney, Agent, or Firm* — Sughrue Mion, PLLC

(57) **CLAIM**

The ornamental design for a table, as shown and described.

**DESCRIPTION**

FIG. 1 is a perspective view of a first embodiment of a table.  
FIG. 2 is a front elevation view thereof. A rear elevation  
view is identical to the front elevation view.

FIG. 3 is a right side elevation view thereof. A left side  
elevation view is identical to the right side elevation view.

FIG. 4 is a top plan view thereof.

FIG. 5 is a bottom plan view thereof.

FIG. 6 is an enlarged cross-sectional view taken along the  
line 6-6 in FIG. 2.

FIG. 7 is an enlarged cross-sectional view taken along the  
line 7-7 in FIG. 2.

FIG. 8 is an enlarged cross-sectional view taken along the  
line 8-8 in FIG. 3.

FIG. 9 is an enlarged cross-sectional view taken along the  
line 9-9 in FIG. 3.

FIG. 10 is a perspective view of a second embodiment of a  
table.

FIG. 11 is a front elevation view thereof. A rear elevation  
view is identical to the front elevation view.

FIG. 12 is a right side elevation view thereof. A left side  
elevation view is identical to the right side elevation view.

FIG. 13 is a top plan view thereof.

FIG. 14 is a bottom plan view thereof.

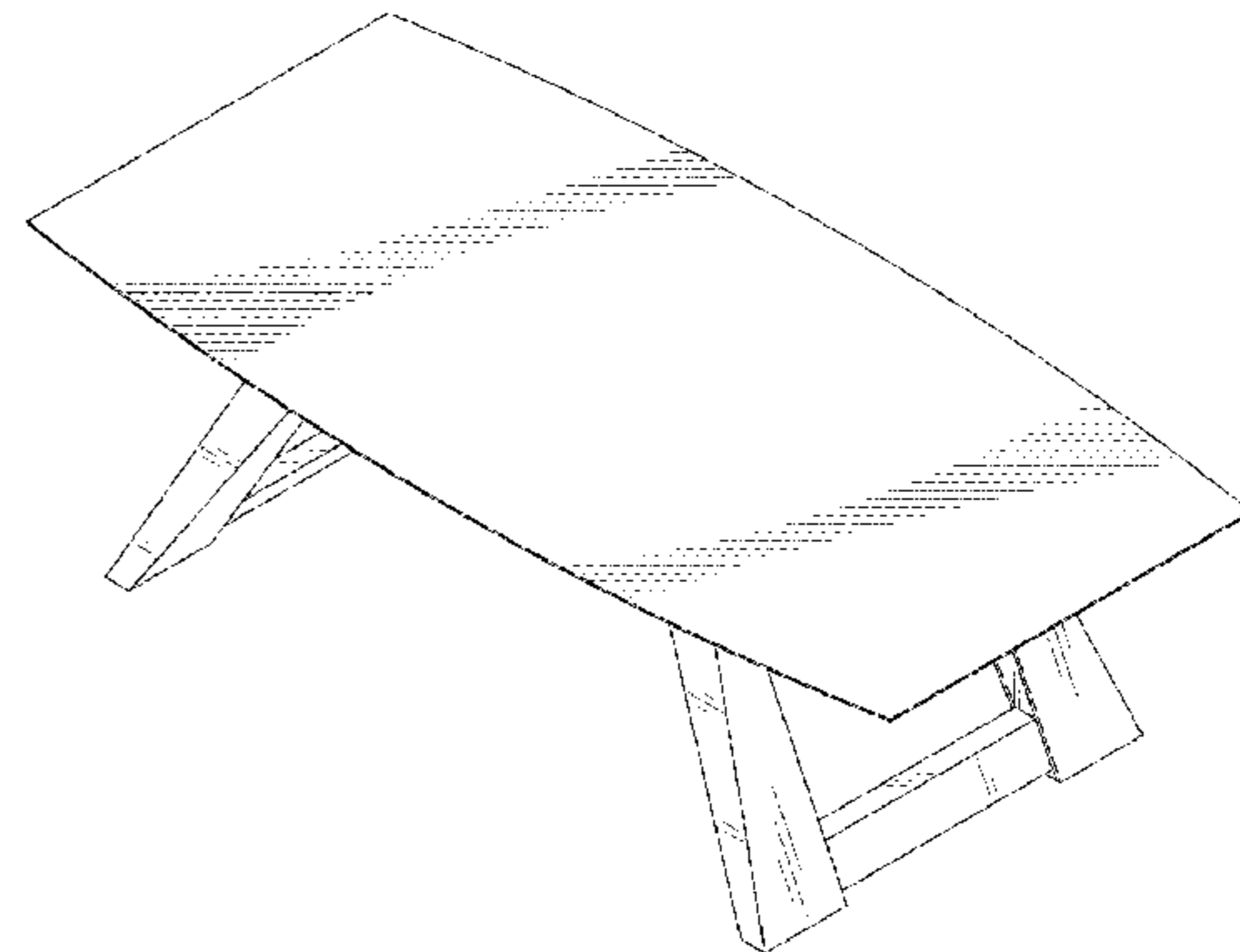
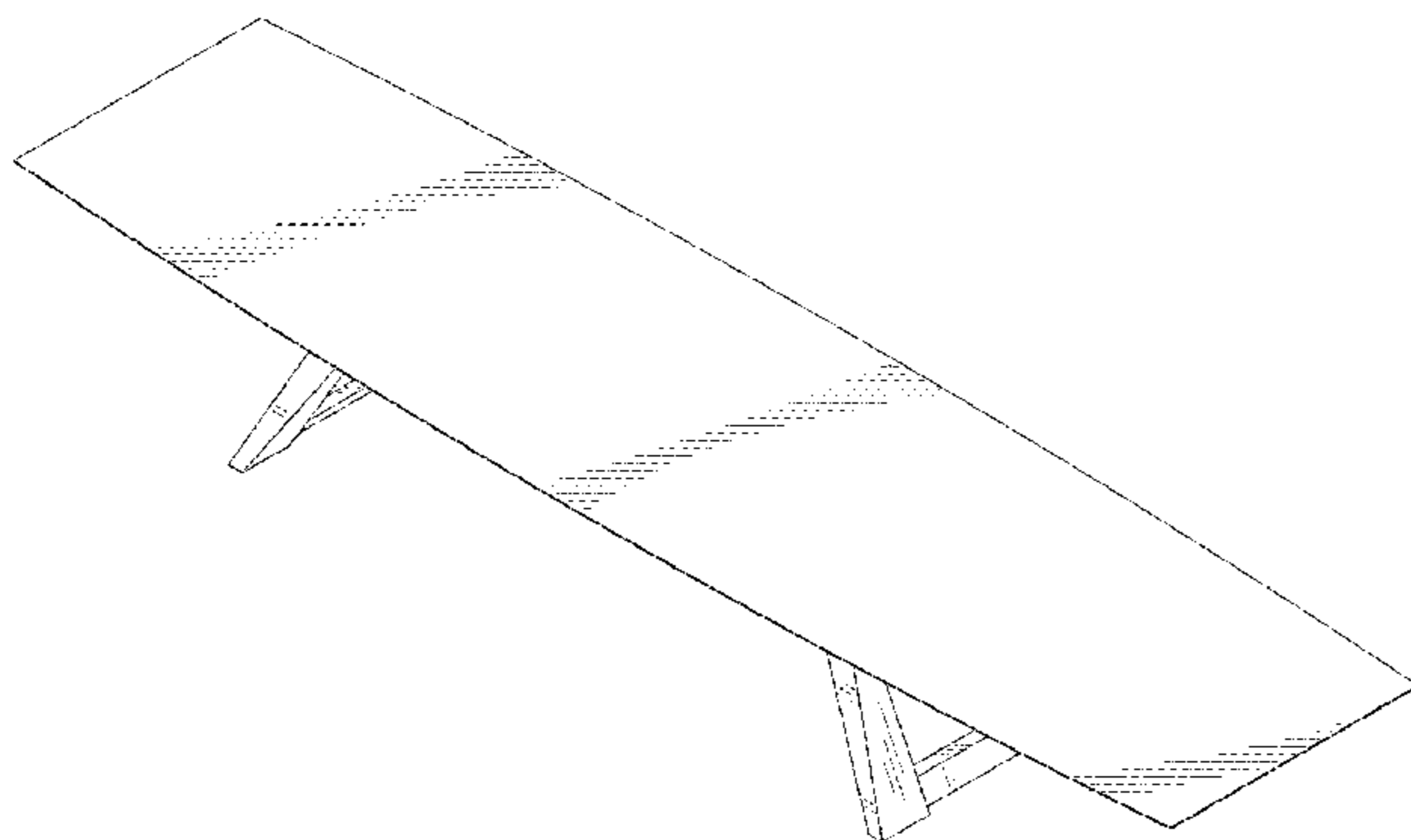
FIG. 15 is a cross-sectional view taken along the line 15-15  
in FIG. 11.

FIG. 16 is a cross-sectional view taken along the line 16-16  
in FIG. 11.

FIG. 17 is a cross-sectional view taken along the line 17-17  
in FIG. 12; and,

FIG. 18 is a cross-sectional view taken along the line 18-18  
in FIG. 12.

**1 Claim, 18 Drawing Sheets**



(58) **Field of Classification Search**

CPC . 2200/001; A47B 2200/11; A47C 1/14; A47C  
1/146; A47C 4/00; A47C 4/28; A47C  
11/02; A47C 11/00

See application file for complete search history.

(56) **References Cited**

U.S. PATENT DOCUMENTS

D403,898	S	*	1/1999	Arnegger	.....	D6/691
D404,593	S	*	1/1999	Oltmans	.....	D6/691
D415,371	S	*	10/1999	Lewis	.....	D6/691
D588,380	S	*	3/2009	Bucholz	.....	D6/691.5
D593,769	S	*	6/2009	Jeup	.....	D6/656
D604,063	S	*	11/2009	Oshinomi	.....	D6/656.16
D608,568	S	*	1/2010	Manz	.....	D6/691.5
D708,461	S	*	7/2014	Starck	.....	D6/691
D727,644	S	*	4/2015	Sorel	.....	D6/349
D730,071	S	*	5/2015	Sorel	.....	D6/349
D734,631	S	*	7/2015	Velez	.....	D6/349
D765,450	S	*	9/2016	Biddle	.....	D6/691

\* cited by examiner

FIG. 1

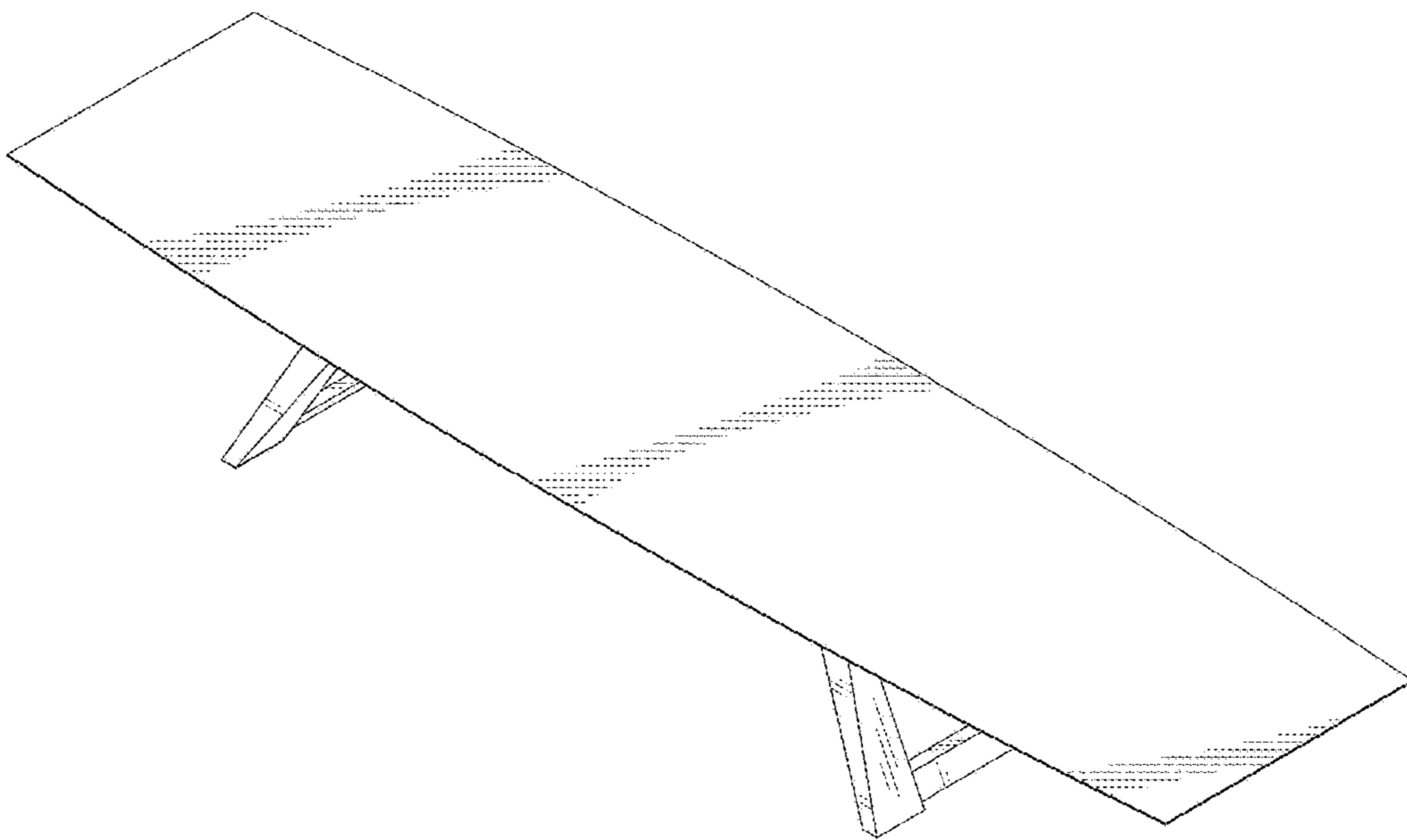


FIG. 2

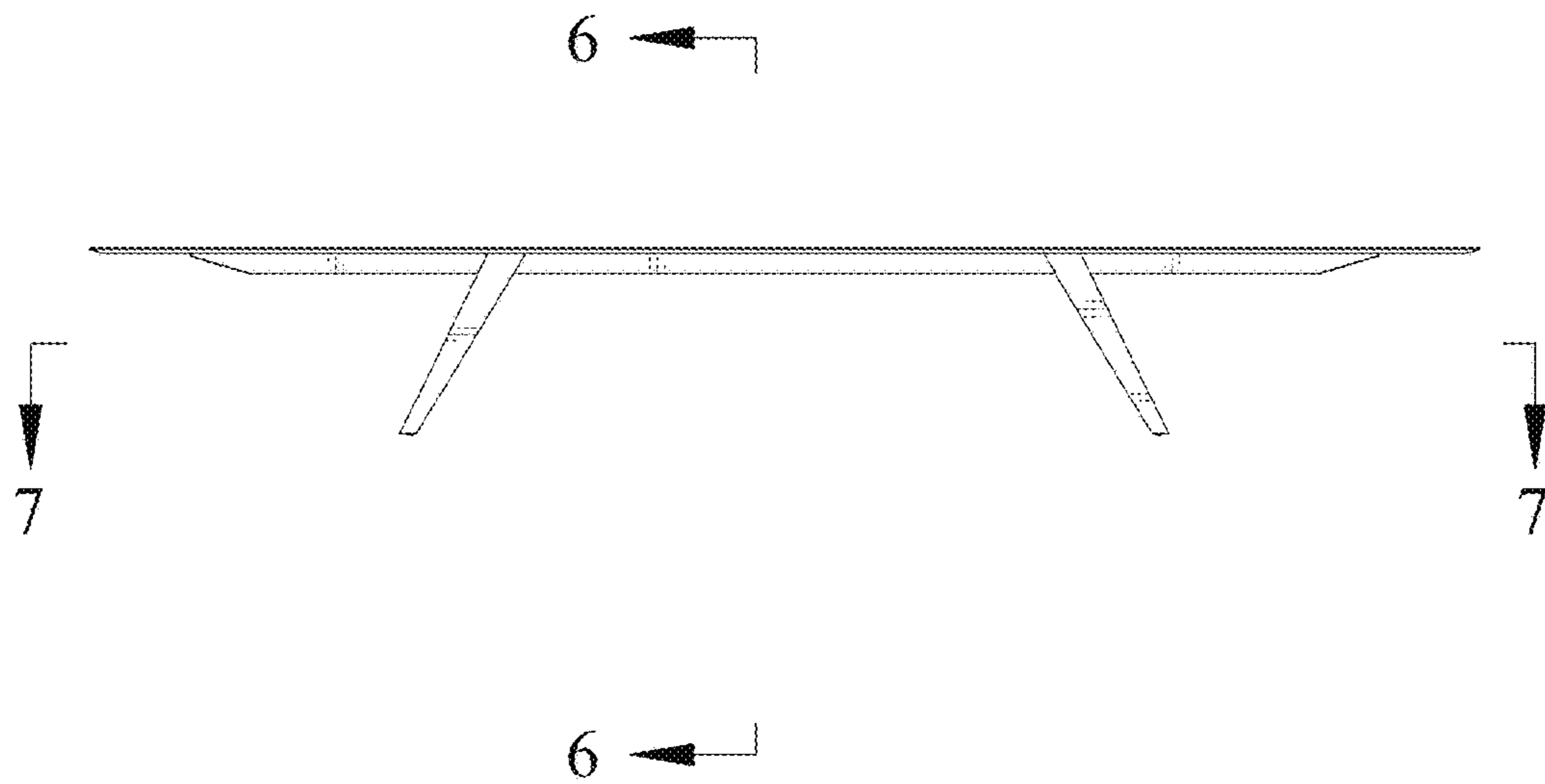


FIG. 3

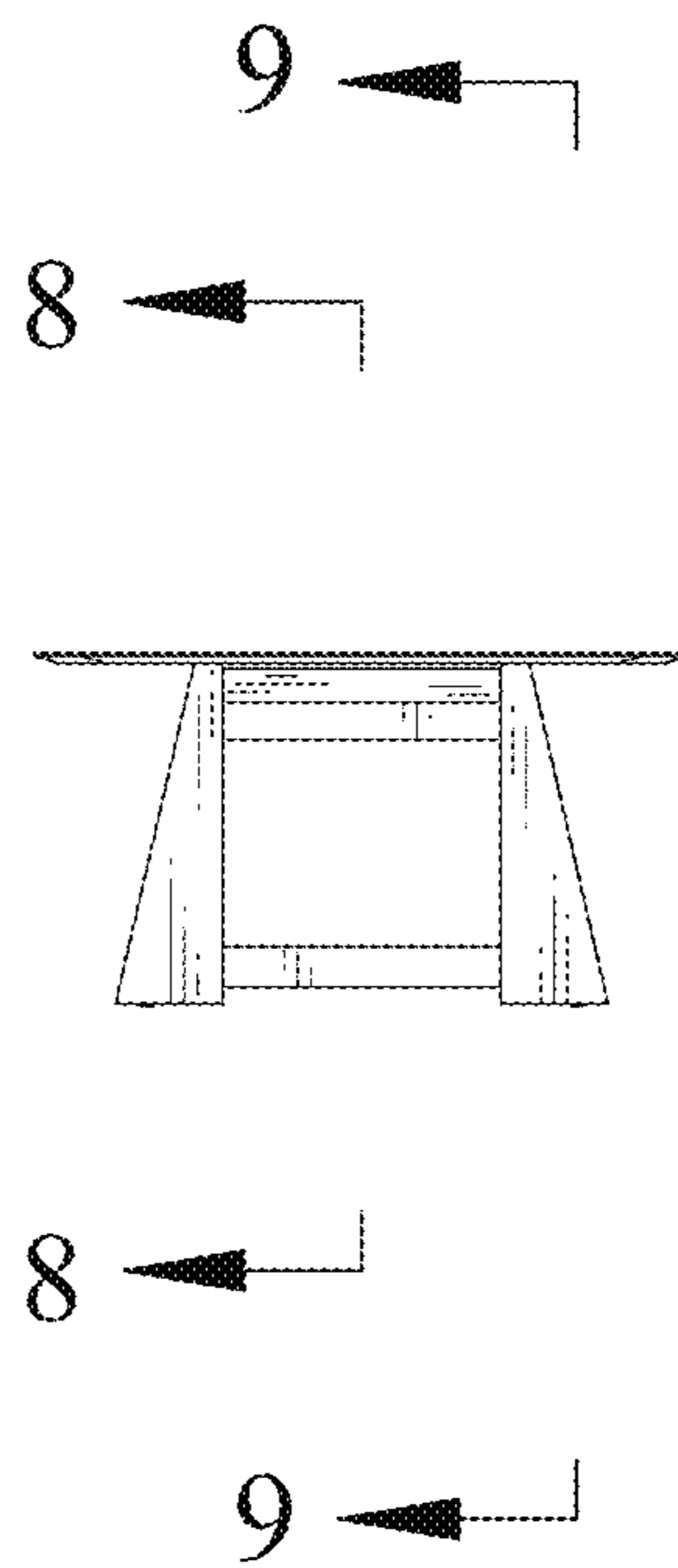


FIG. 4

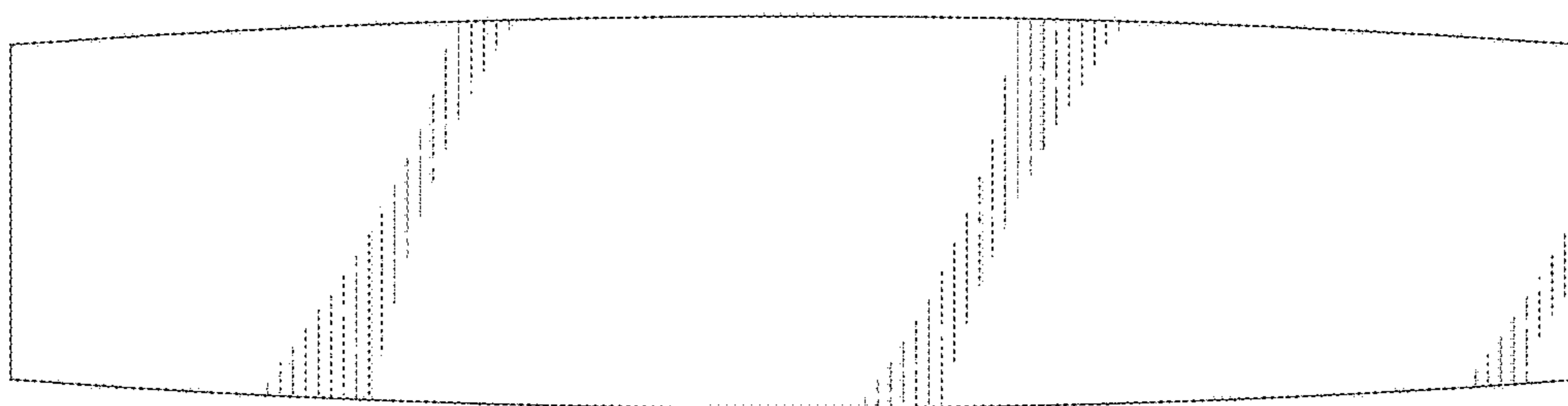


FIG. 5

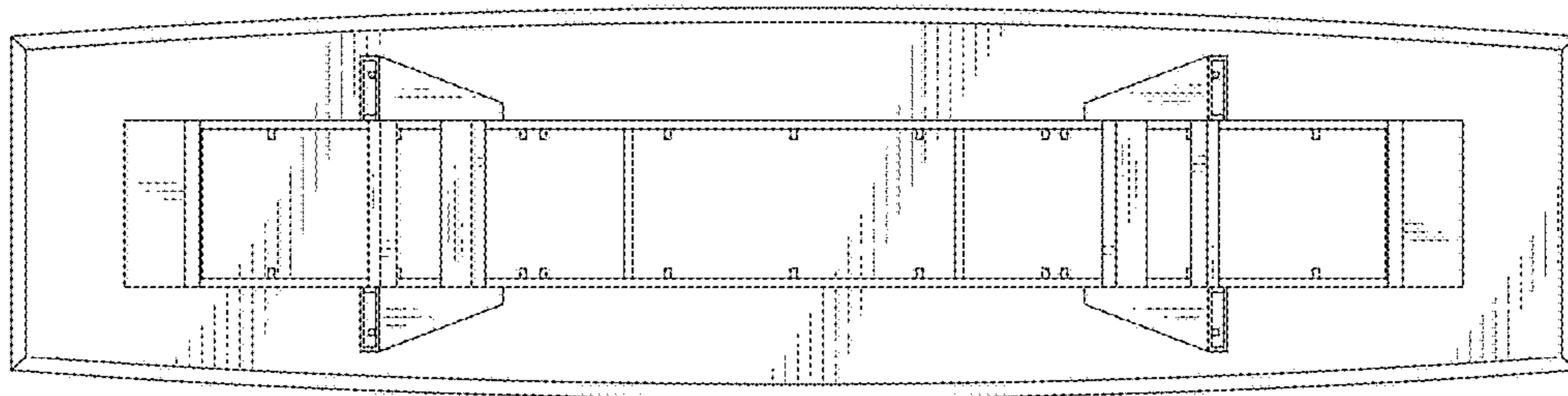


FIG. 6

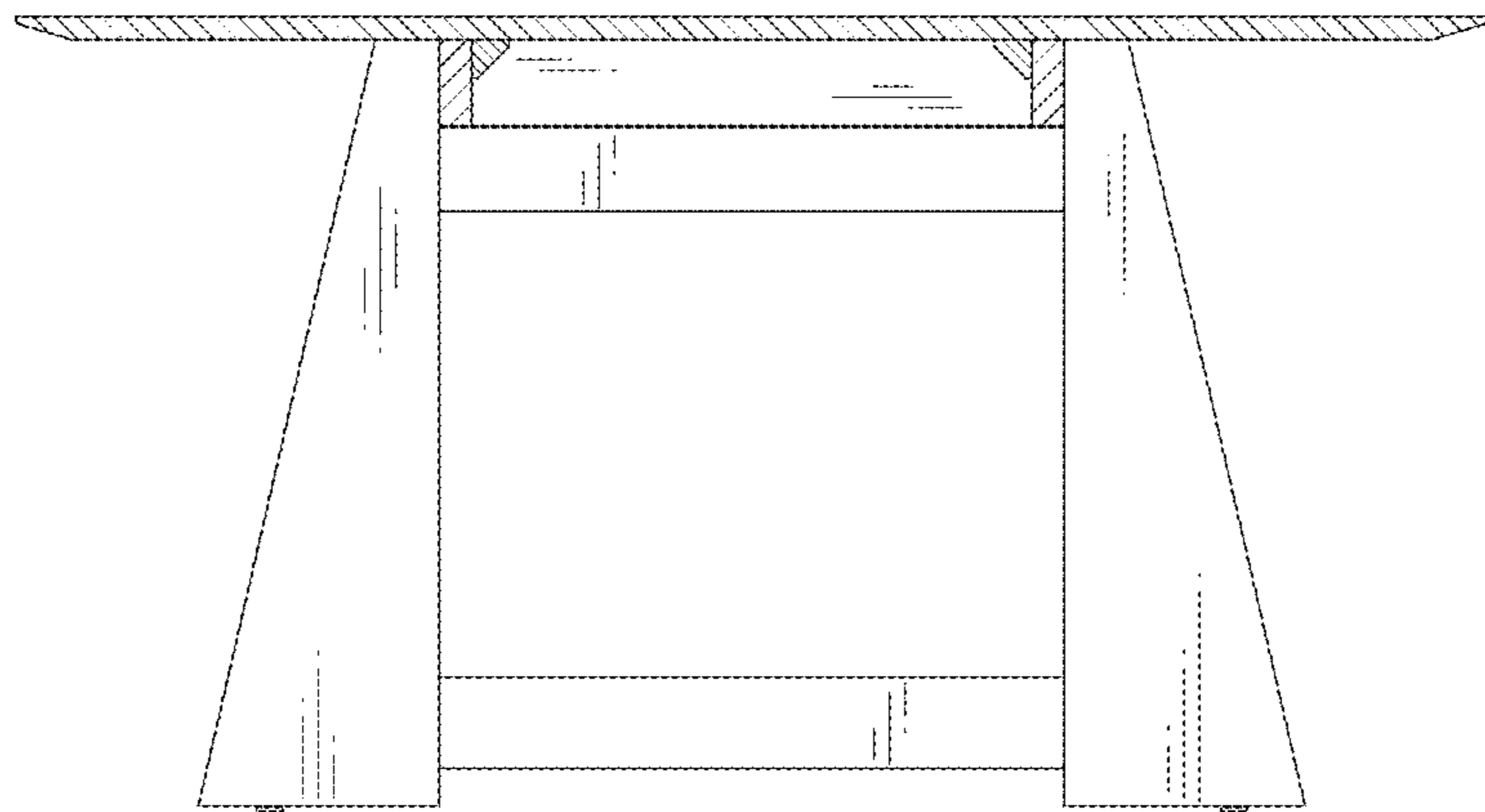




FIG. 7

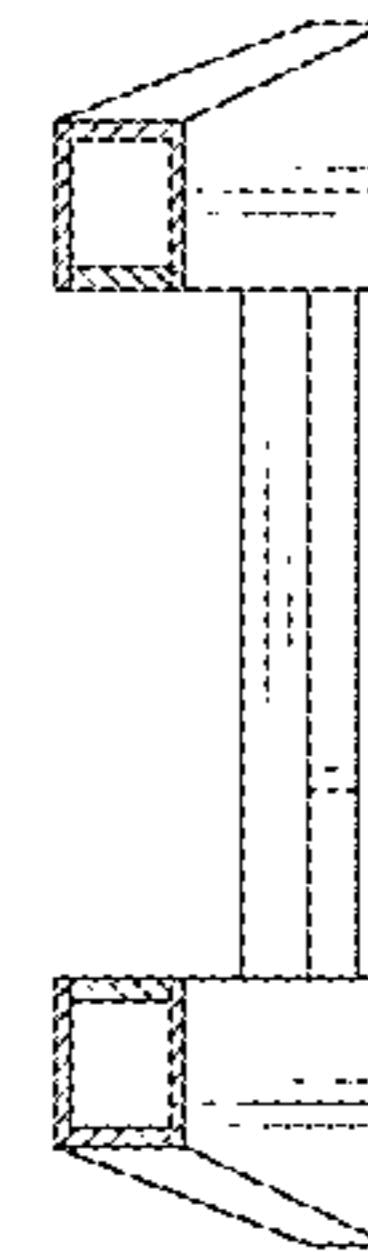
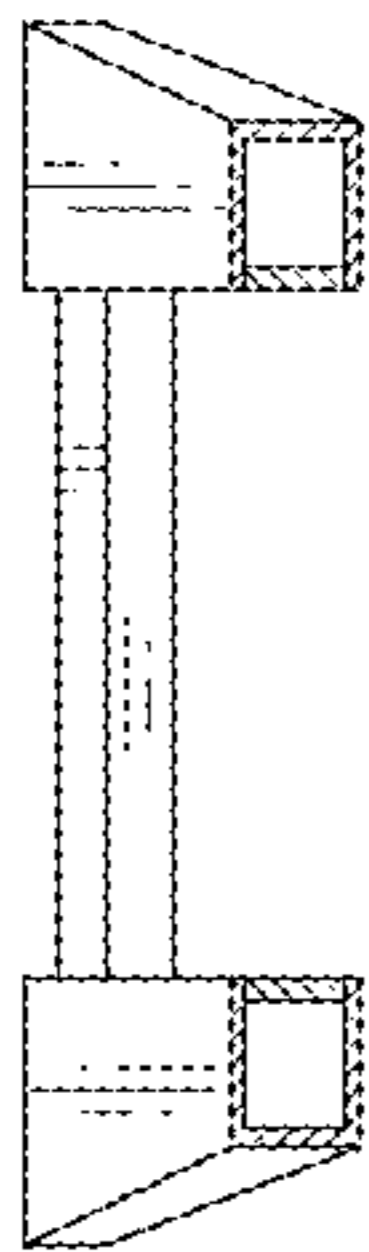


FIG. 8

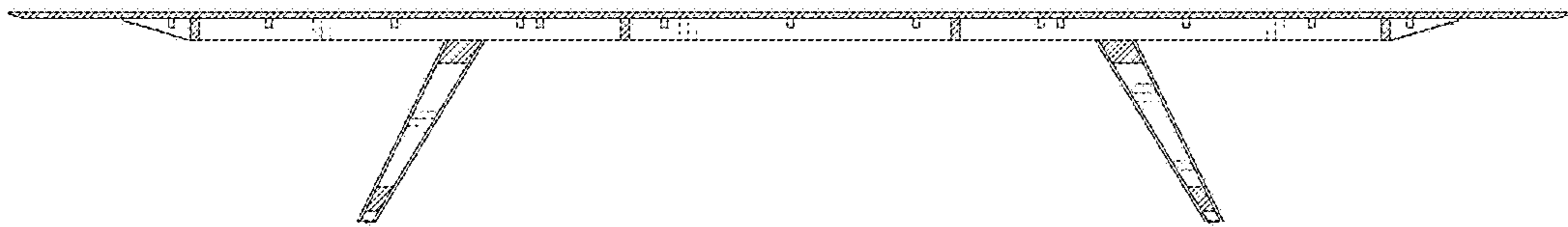


FIG. 9

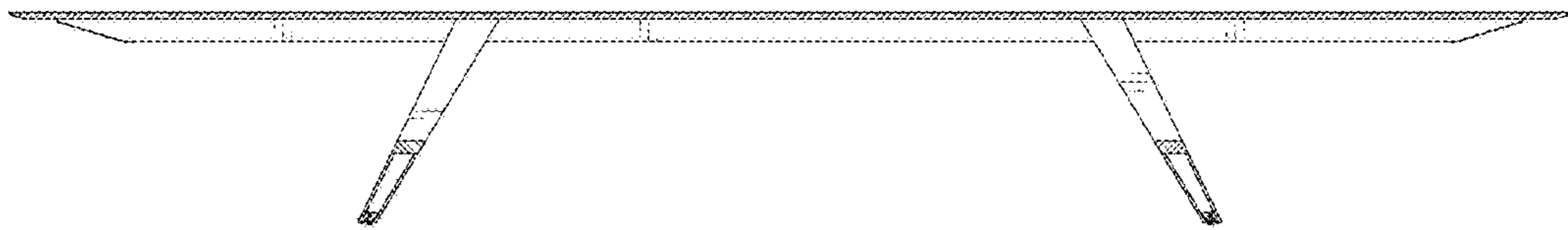


FIG. 10

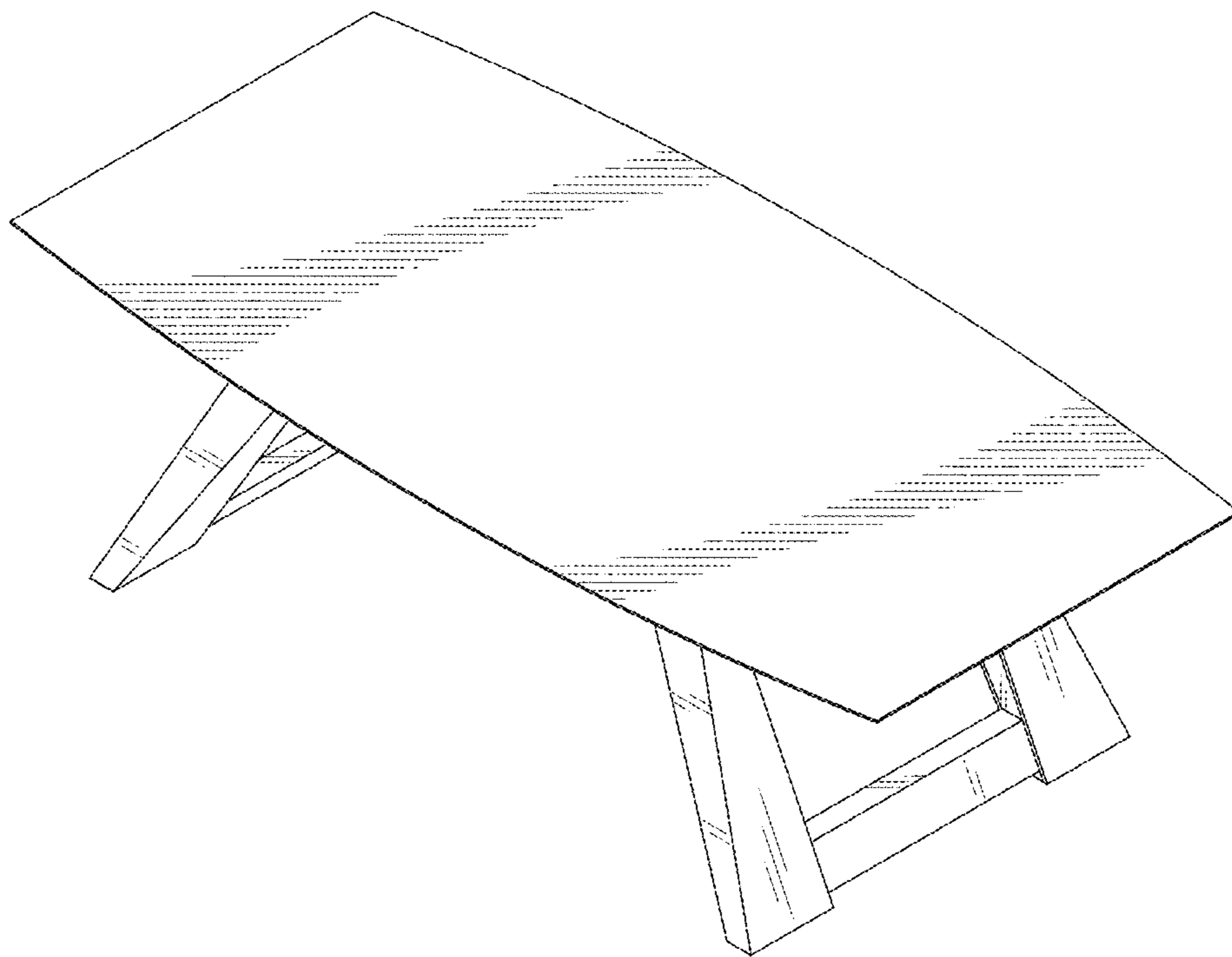


FIG. 11

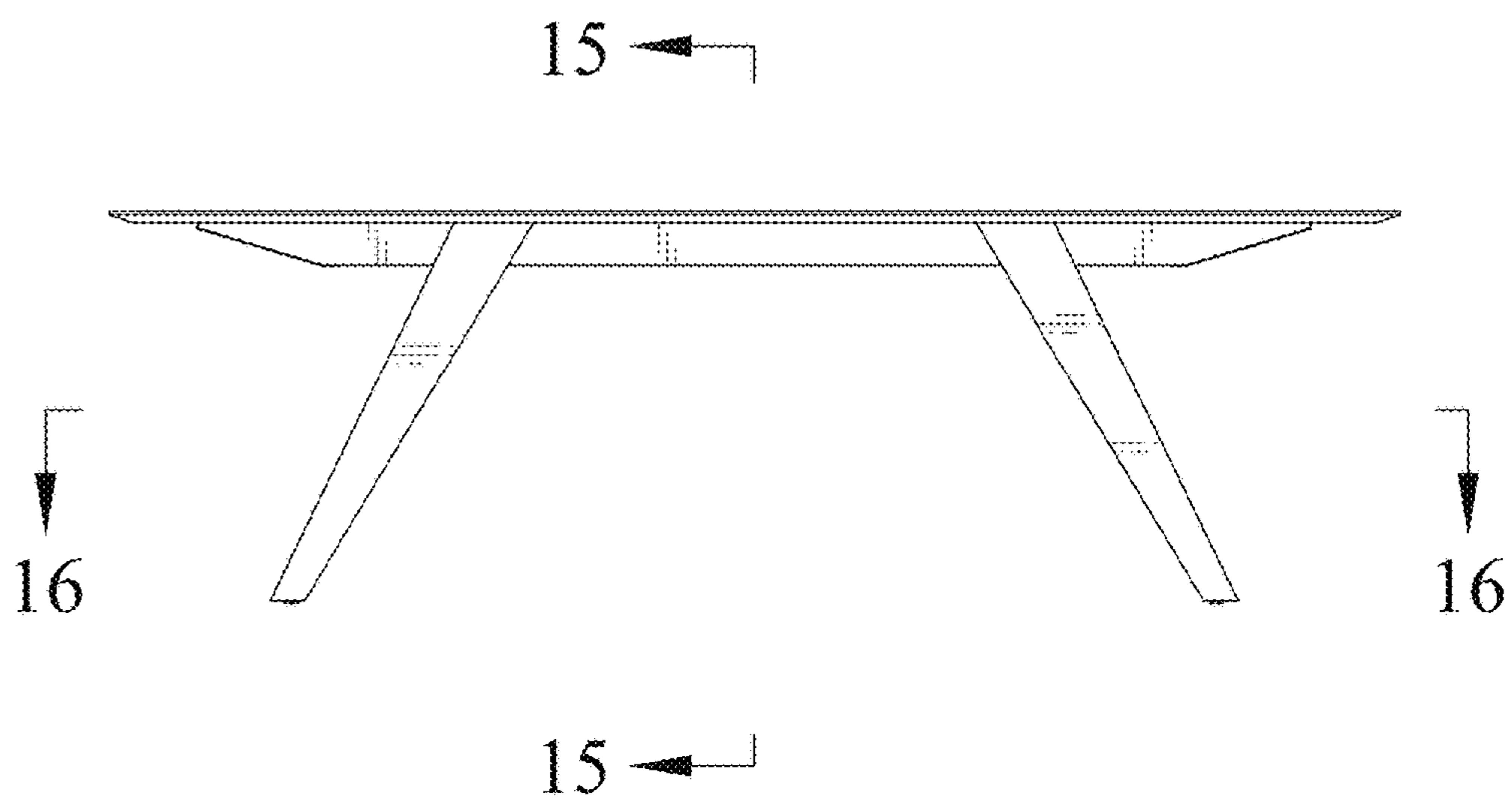


FIG. 12

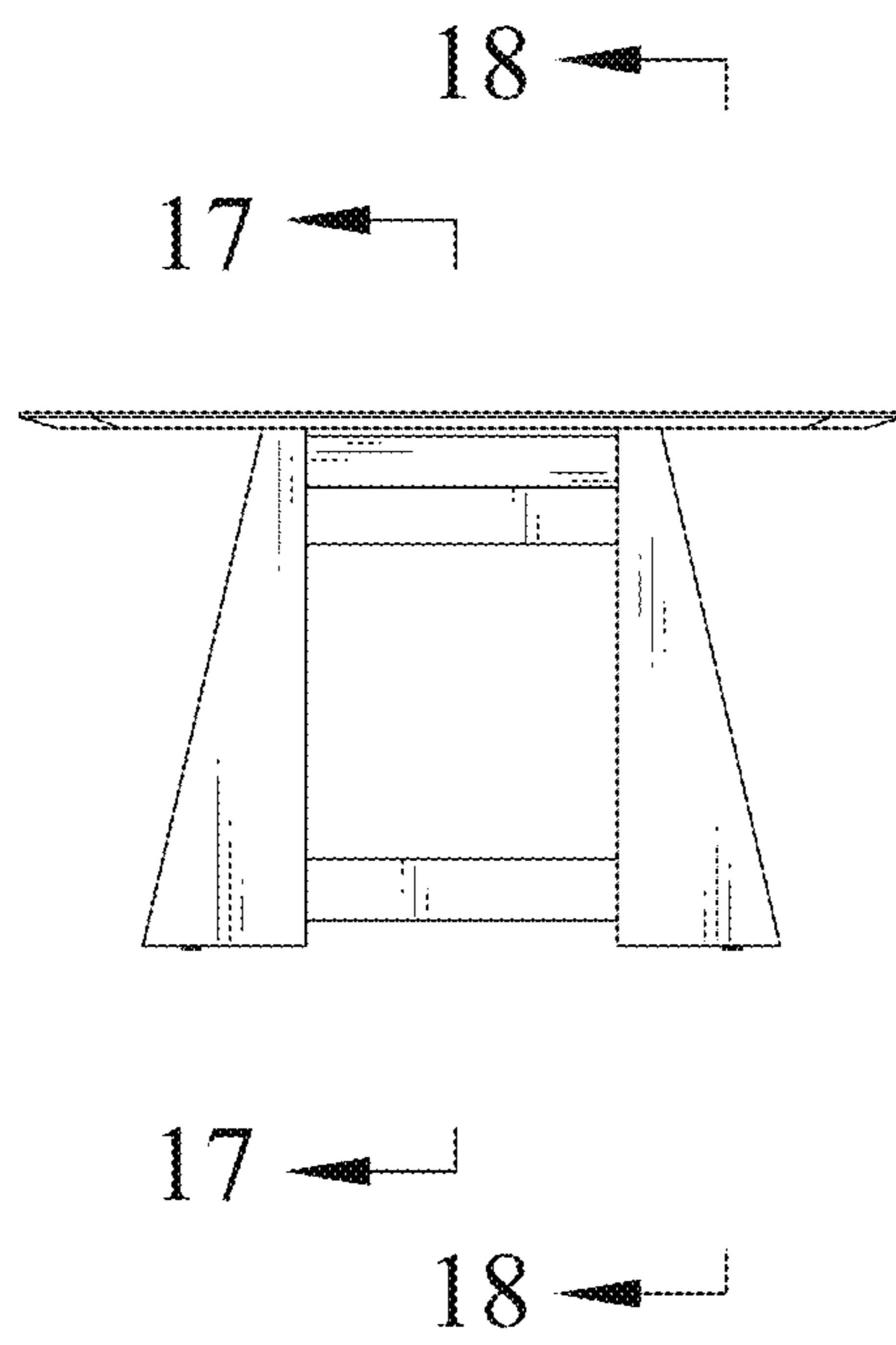


FIG. 13

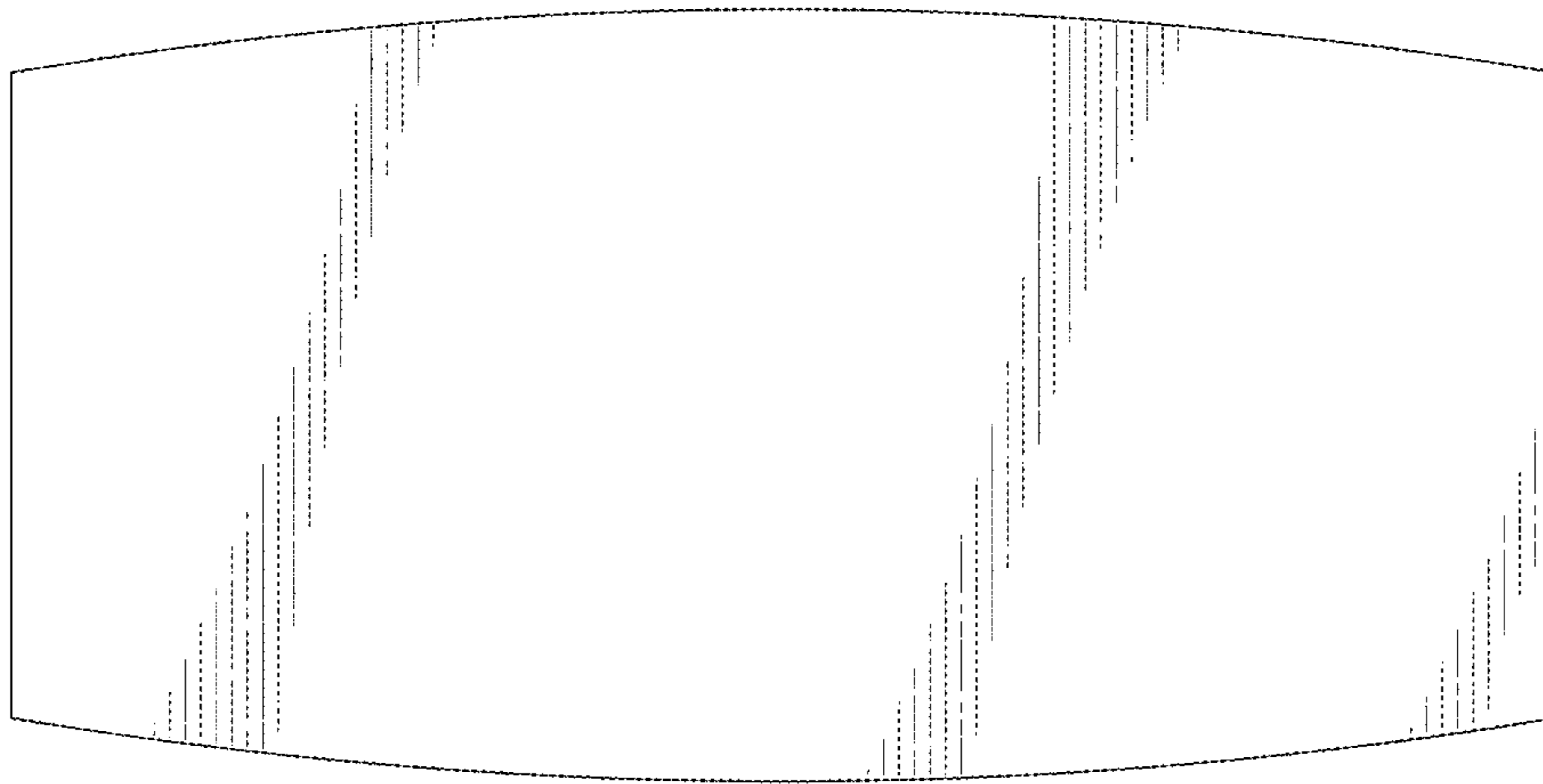


FIG. 14

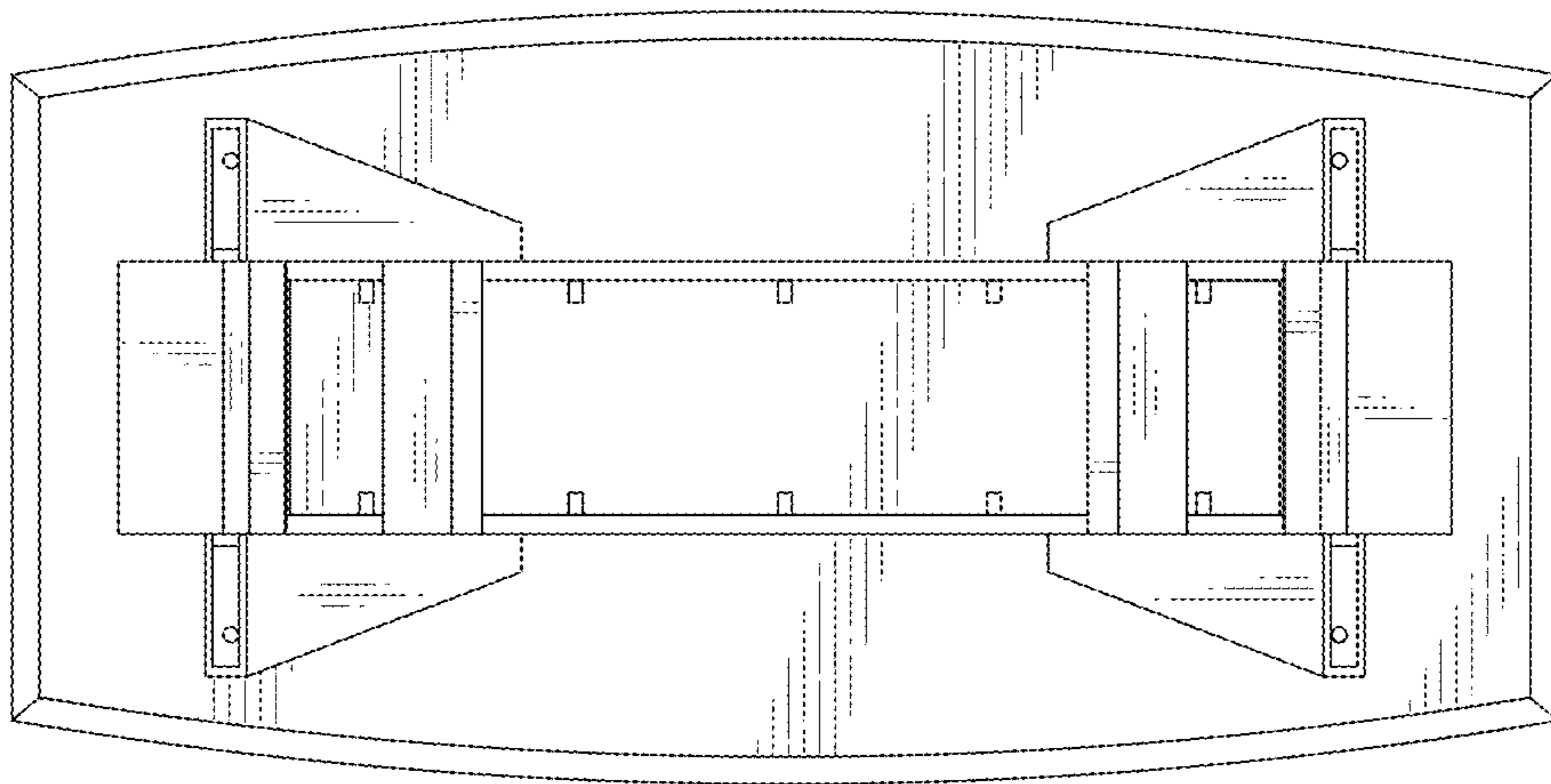




FIG. 15

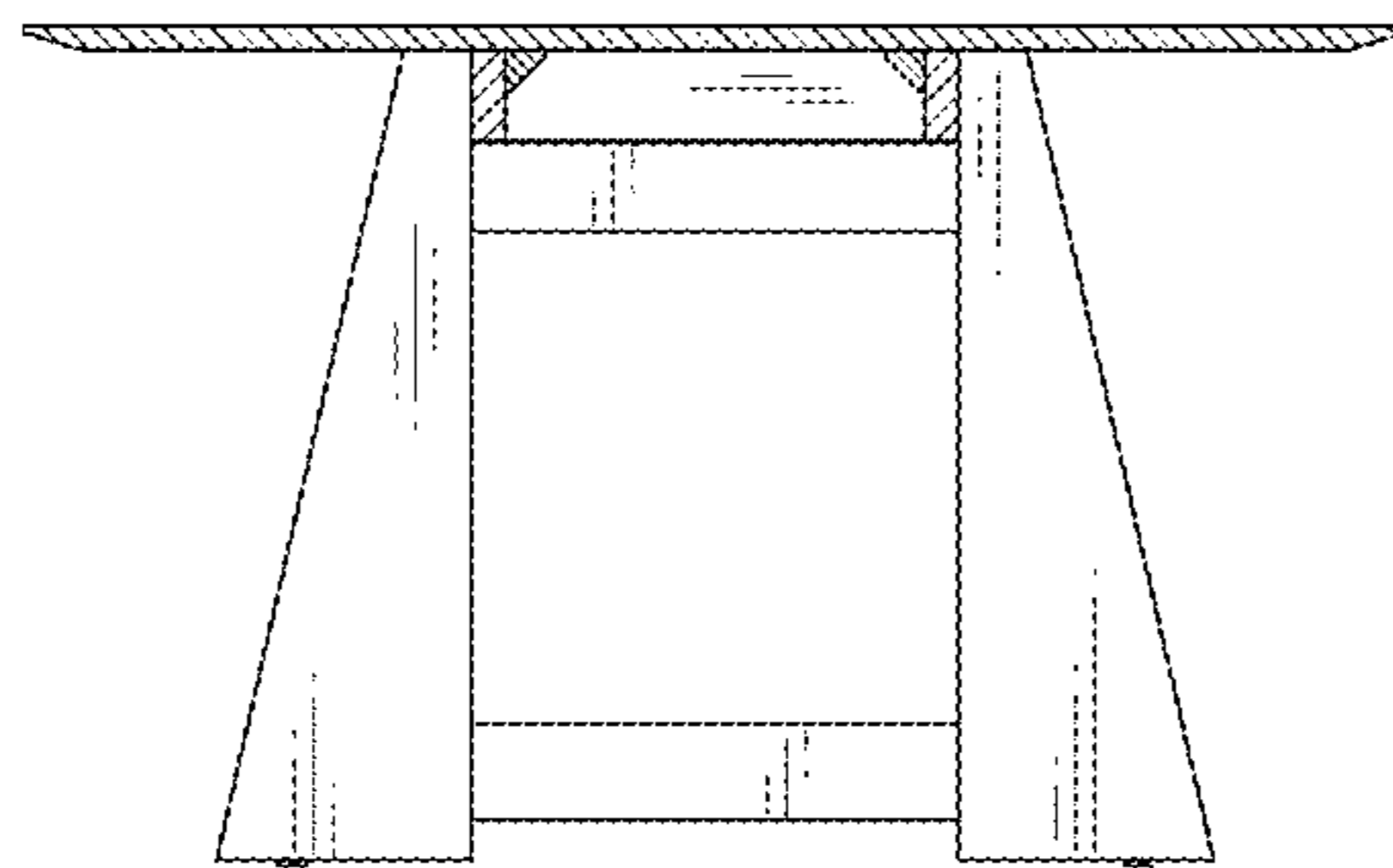


FIG. 16

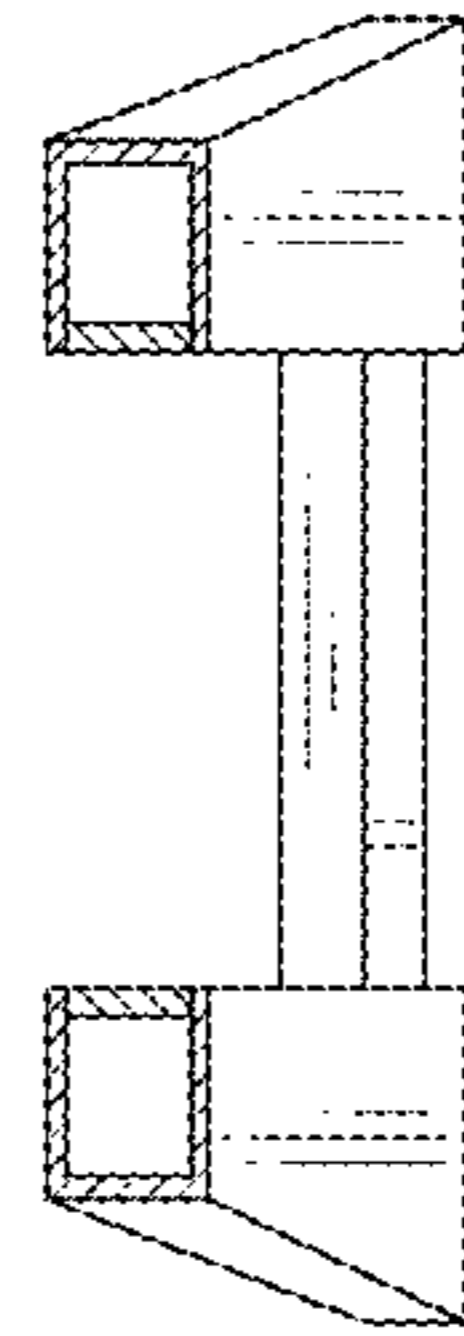
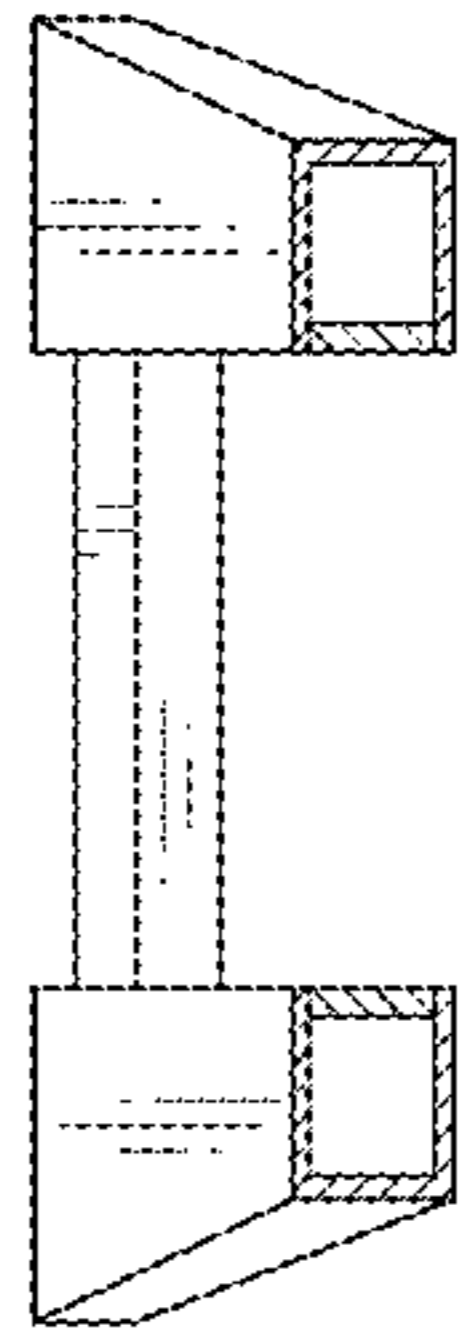


FIG. 17

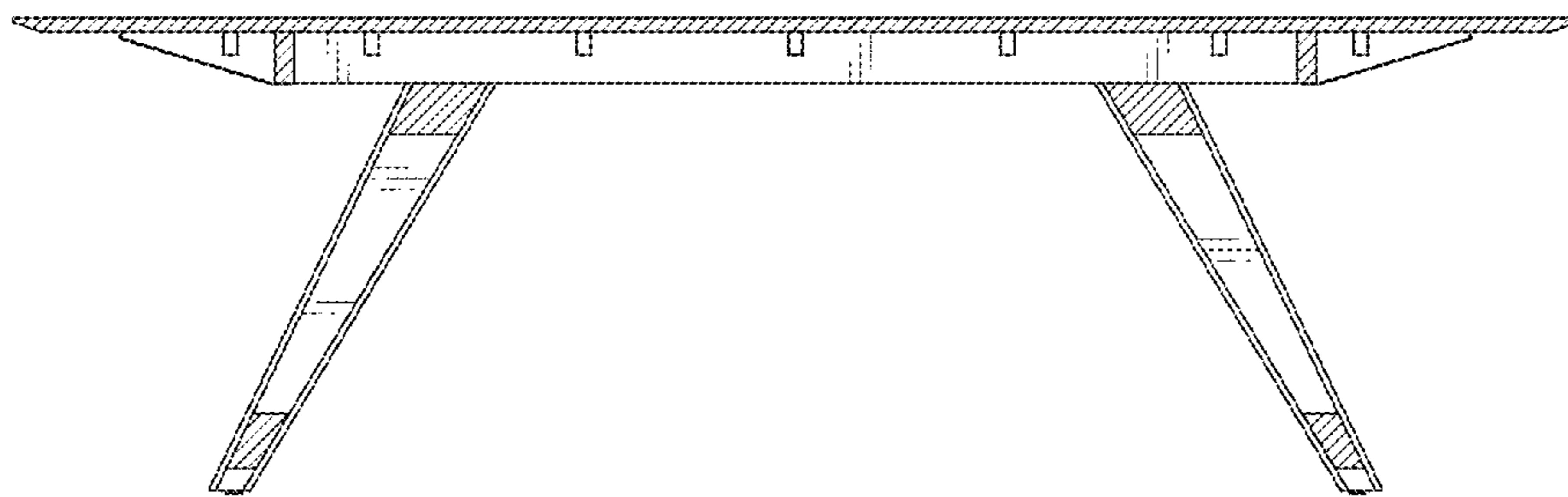


FIG. 18

