



US00D784742S

(12) **United States Design Patent**
Grossinger et al.

(10) **Patent No.:** **US D784,742 S**
(45) **Date of Patent:** **** *Apr. 25, 2017**

(54) **TABLE**

(71) Applicant: **HOK PRODUCT DESIGN, LLC.**,
Culver City, CA (US)

(72) Inventors: **Susan Grossinger**, Culver City, CA
(US); **Brett Shwery**, Culver City, CA
(US); **Javier Palomares**, Culver City,
CA (US); **Junko Yamakawa**, Culver
City, CA (US)

(73) Assignee: **HOK Product Design, LLC**, Culver
City, CA (US)

(*) Notice: This patent is subject to a terminal dis-
claimer.

(**) Term: **15 Years**

(21) Appl. No.: **29/545,105**

(22) Filed: **Nov. 10, 2015**

(30) **Foreign Application Priority Data**

May 11, 2015 (JP) 2015-010157
May 11, 2015 (JP) 2015-010158

(51) **LOC (10) Cl.** **06-03**

(52) **U.S. Cl.**
USPC **D6/691**

(58) **Field of Classification Search**
USPC D6/334, 335, 349, 353, 355, 641, 642,
D6/651, 652, 655, 655.1, 655.14, 655.21,
(Continued)

(56) **References Cited**

U.S. PATENT DOCUMENTS

D225,712 S * 1/1973 McDonald D6/691
D228,106 S * 8/1973 Klotz D6/691.6
(Continued)

OTHER PUBLICATIONS

'Steel Dining Table'. creativemetalwood.com [online].
Undated[retrieved Sep. 13, 2016]. Retrieved from the Internet:

<URL: <http://www.creativemetalwood.com/products-page/dining-tables/101281-steel-dining-table/>>.*

(Continued)

Primary Examiner — Mary Ann Calabrese
(74) *Attorney, Agent, or Firm* — Sughrue Mion, PLLC

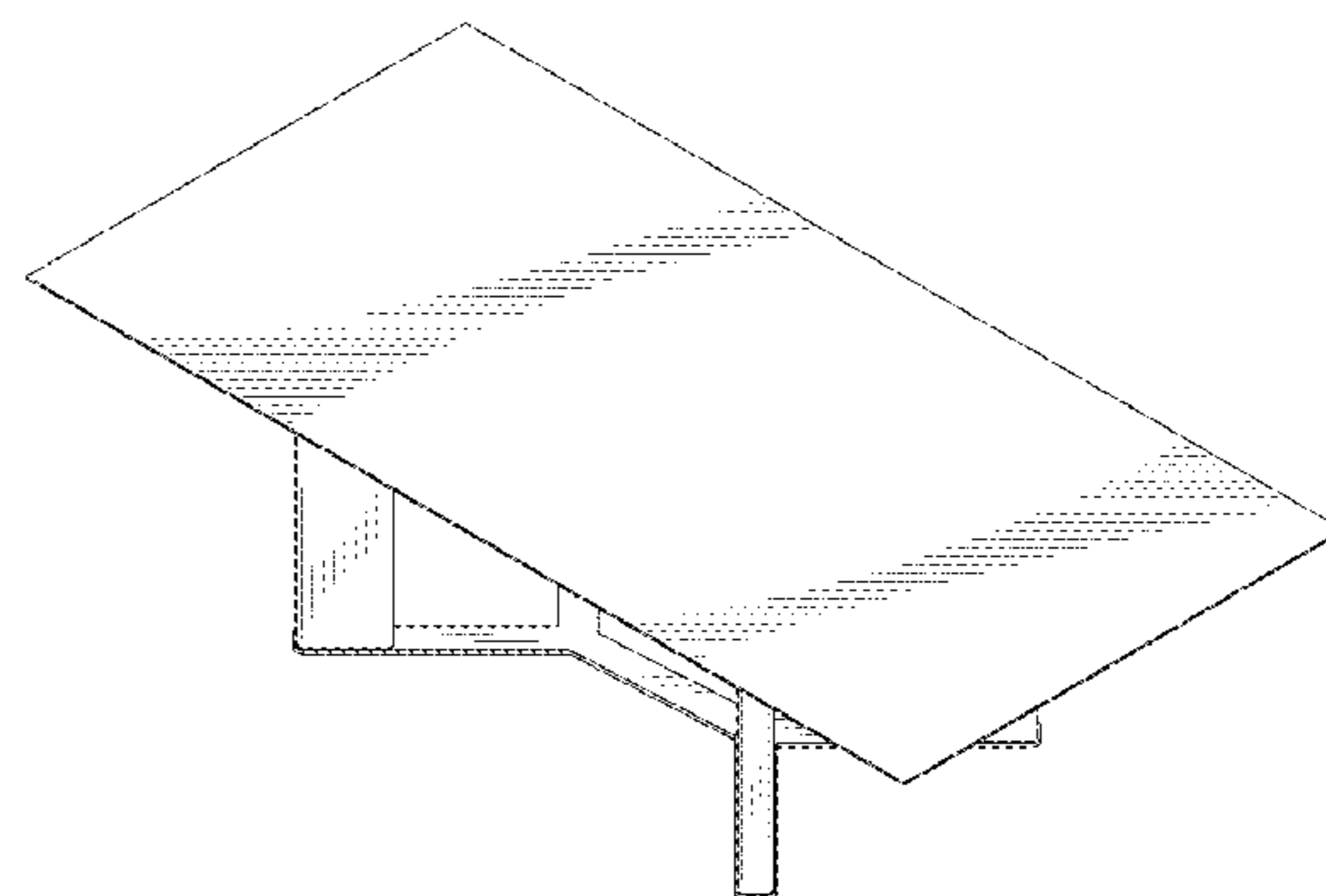
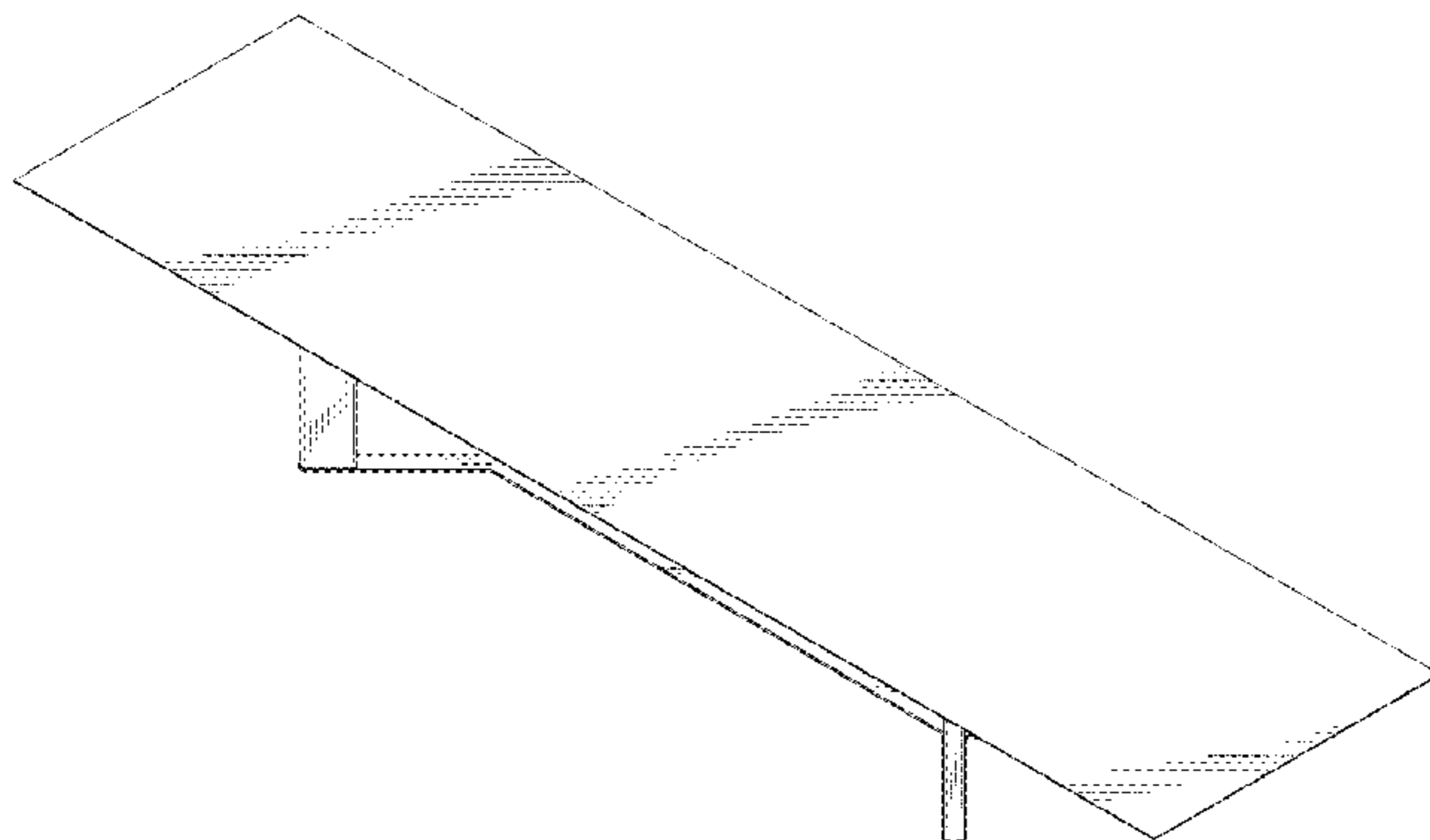
(57) **CLAIM**

The ornamental design for a table, as shown and described.

DESCRIPTION

FIG. 1 is a perspective view of a first embodiment of a table. FIG. 2 is a front elevation view thereof. A rear elevation view is identical to the front elevation view. FIG. 3 is a right side elevation view thereof. A left side elevation view is identical to the right side elevation view. FIG. 4 is a top plan view thereof. FIG. 5 is a bottom plan view thereof. FIG. 6 is an enlarged cross-sectional view taken along the line 6-6 in FIG. 2. FIG. 7 is an enlarged cross-sectional view taken along the line 7-7 in FIG. 2. FIG. 8 is an enlarged cross-sectional view taken along the line 8-8 in FIG. 3. FIG. 9 is a perspective view of a second embodiment of a table. FIG. 10 is a front elevation view thereof. A rear elevation view is identical to the front elevation view. FIG. 11 is a right side elevation view thereof. A left side elevation view is identical to the right side elevation view. FIG. 12 is a top plan view thereof. FIG. 13 is a bottom plan view thereof. FIG. 14 is a cross-sectional view taken along the line 14-14 in FIG. 10. FIG. 15 is a cross-sectional view taken along the line 15-15 in FIG. 10; and, FIG. 16 is a cross-sectional view taken along the line 16-16 in FIG. 11.

1 Claim, 16 Drawing Sheets



(58) **Field of Classification Search**

USPC D6/685, 686, 688, 688.1, 688.11, 688.19,
D6/688.21, 691, 691.1, 691.3, 691.8,
D6/691.9, 708, 708.1, 708.13, 708.14,
D6/709, 709.1, 709.15

CPC A47B 3/00; A47B 3/002; A47B 2003/008;
A47B 5/04; A47B 7/00; A47B 19/08;
A47B 21/00; A47B 83/02; A47B
21/0314; A47B 2021/0335; A47C 4/021;
A47C 11/00; A47C 13/00

See application file for complete search history.

(56) **References Cited**

U.S. PATENT DOCUMENTS

D236,786	S	*	9/1975	Smith	D6/691.1
D358,954	S	*	6/1995	Leduc	D6/686
D662,335	S	*	6/2012	Schultz	D6/691.8
D668,893	S	*	10/2012	Lehman-Smith	D6/708
D685,216	S	*	7/2013	Stromborg	D6/708
D727,644	S	*	4/2015	Sorel	D6/349
D751,328	S	*	3/2016	Zdanius	D6/708
D765,450	S	*	9/2016	Biddle	D6/691

OTHER PUBLICATIONS

'Solid Industrial Dining Table'. etsy.com [online]. May 31, 2016
[retrieved Sep. 13, 2016]. Retrieved from the Internet: <URL:
[https://www.etsy.com/listing/241058346/solid-industrial-dining-
table](https://www.etsy.com/listing/241058346/solid-industrial-dining-table)>.*

* cited by examiner

FIG. 1

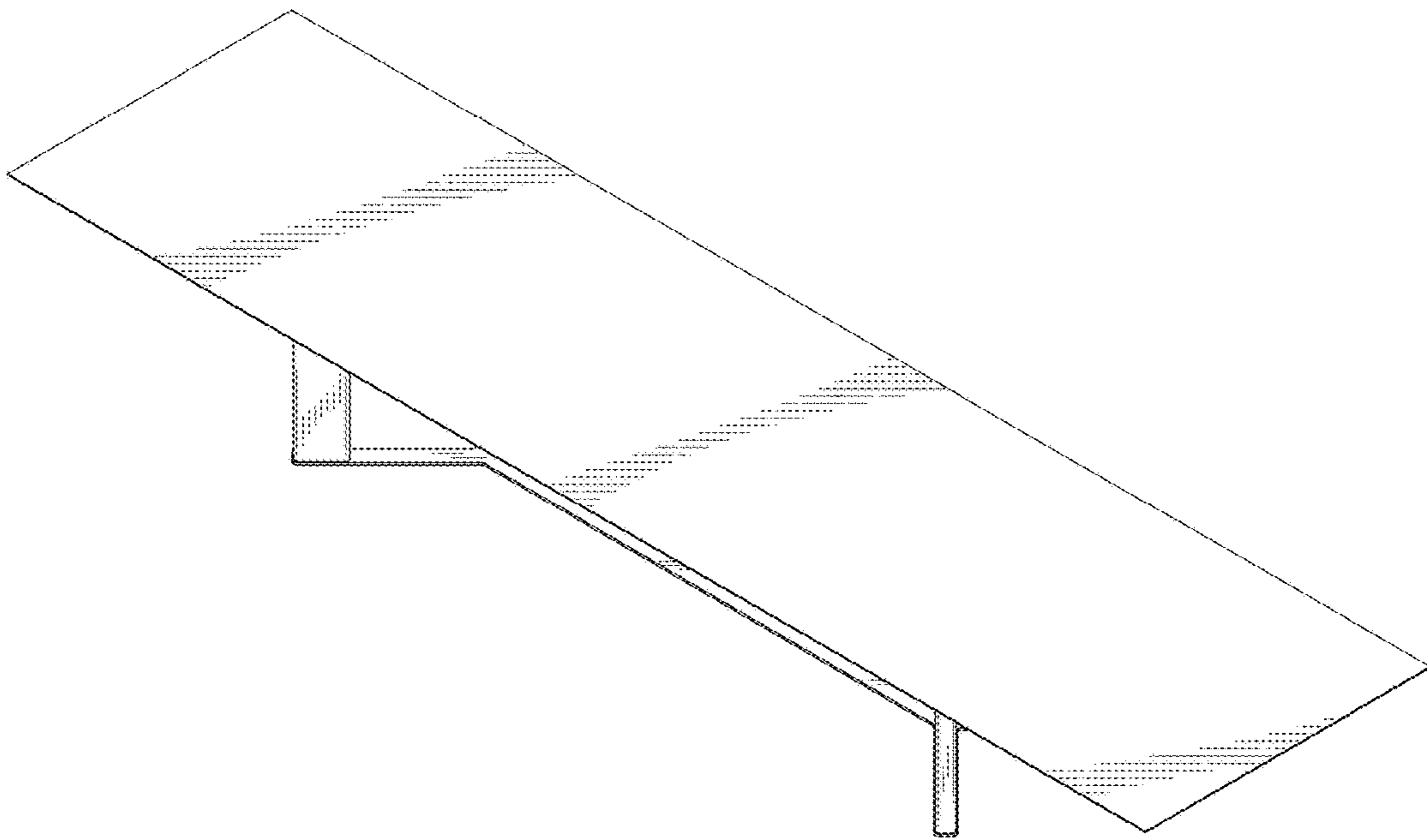


FIG. 2

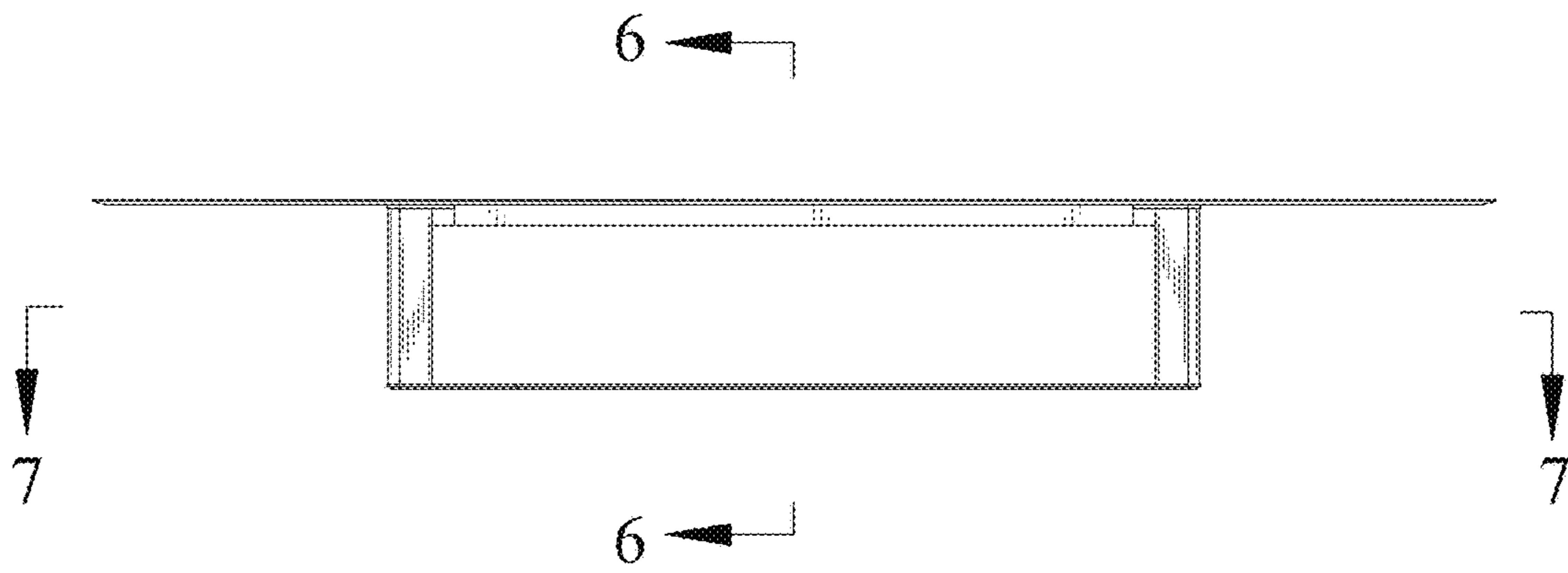


FIG. 3

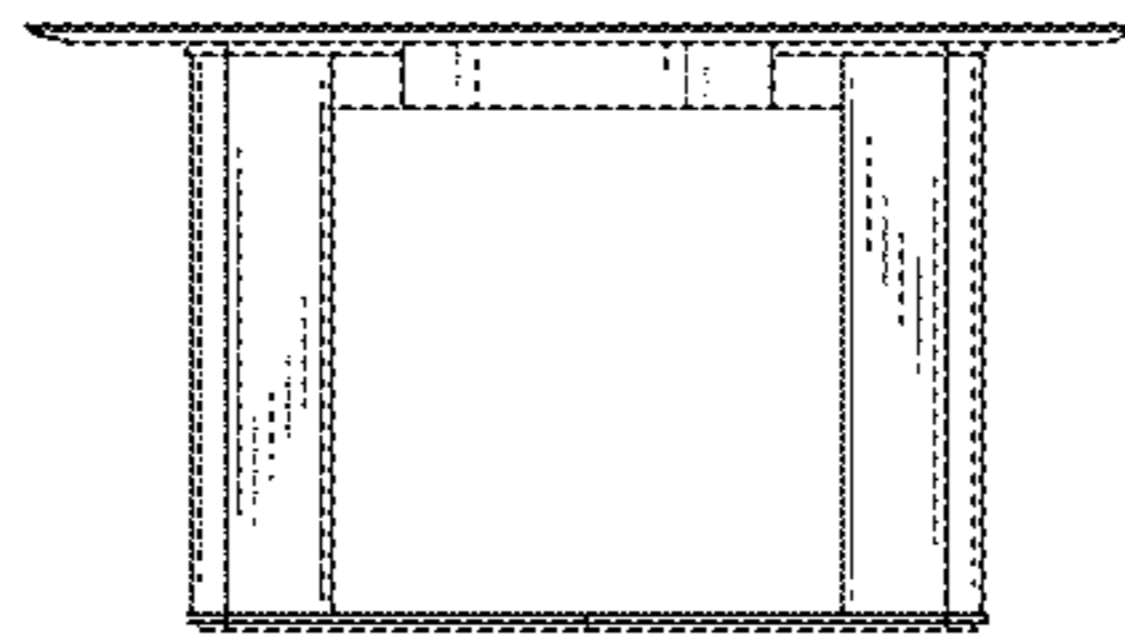


FIG. 4

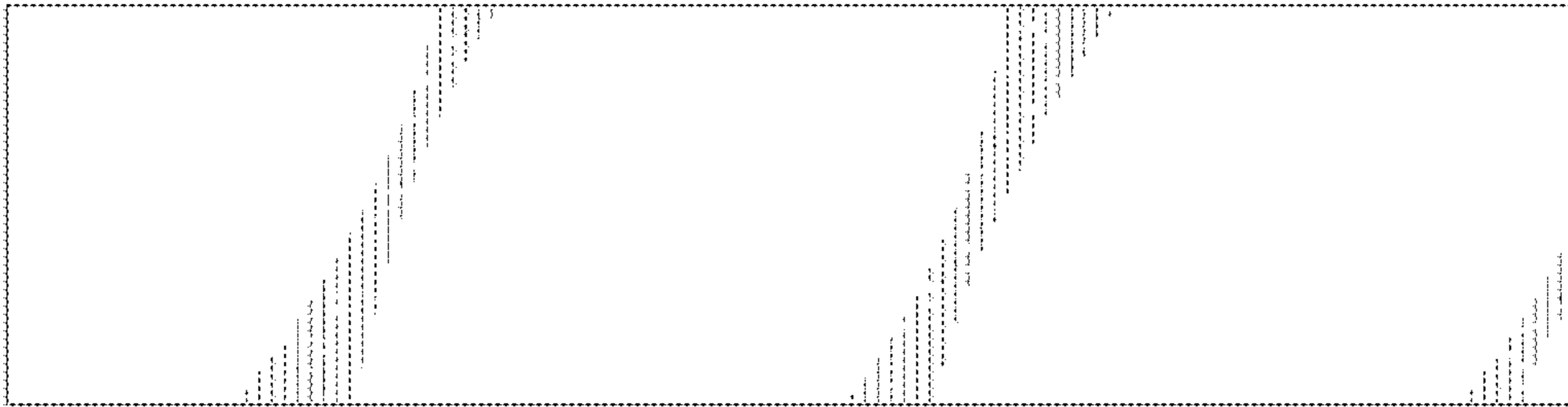


FIG. 5

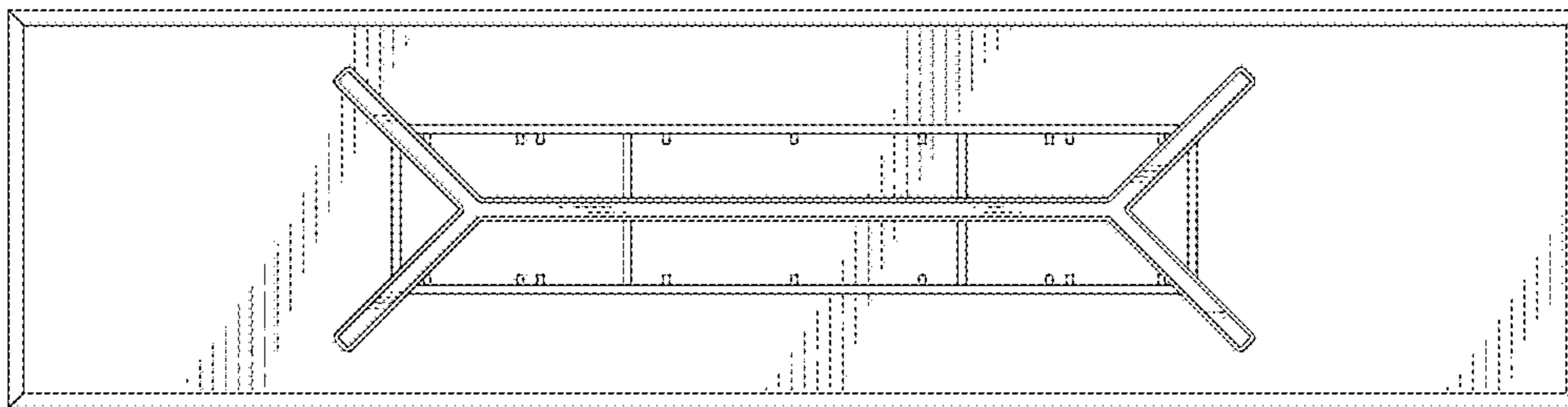


FIG. 6

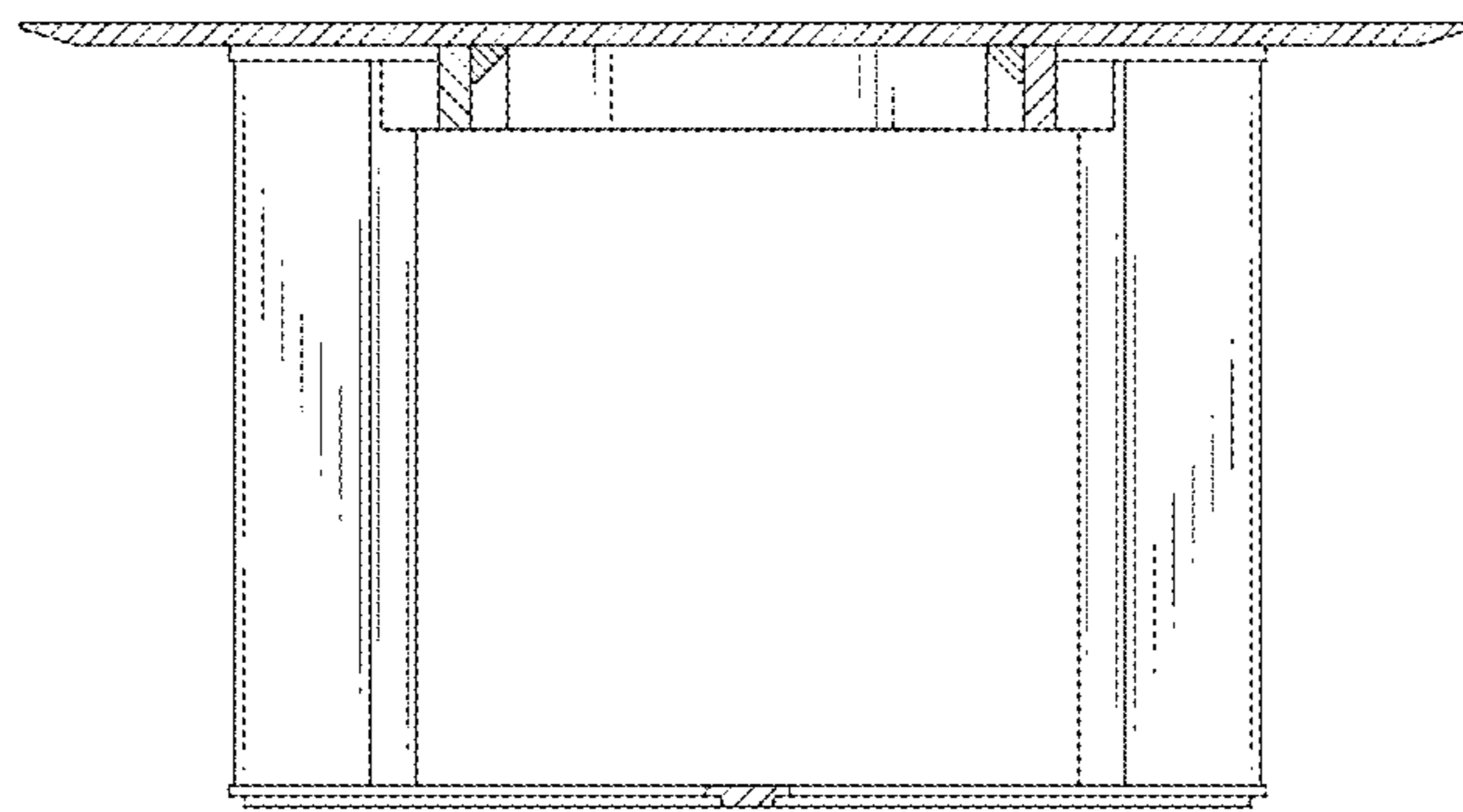


FIG. 7

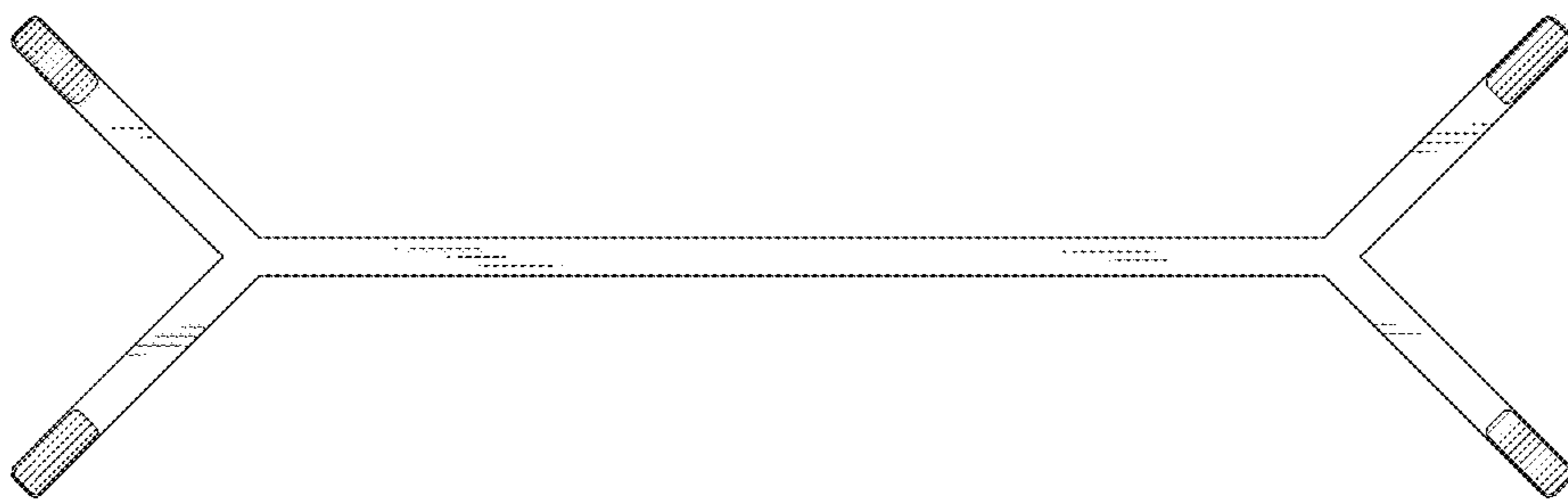


FIG. 8

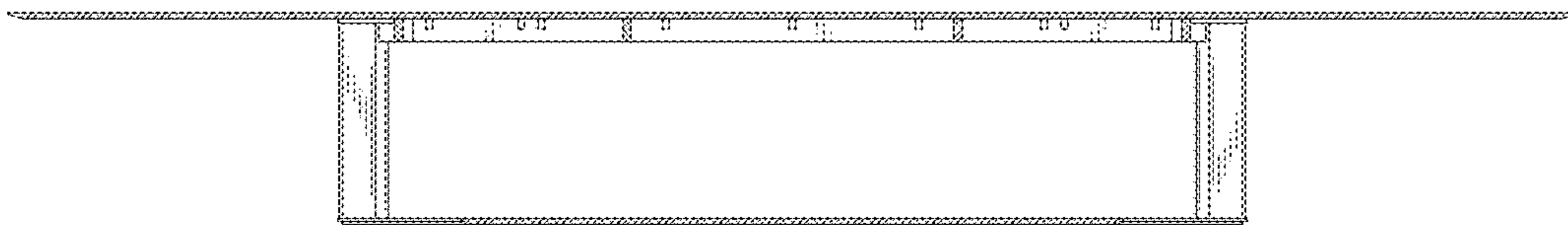


FIG. 9

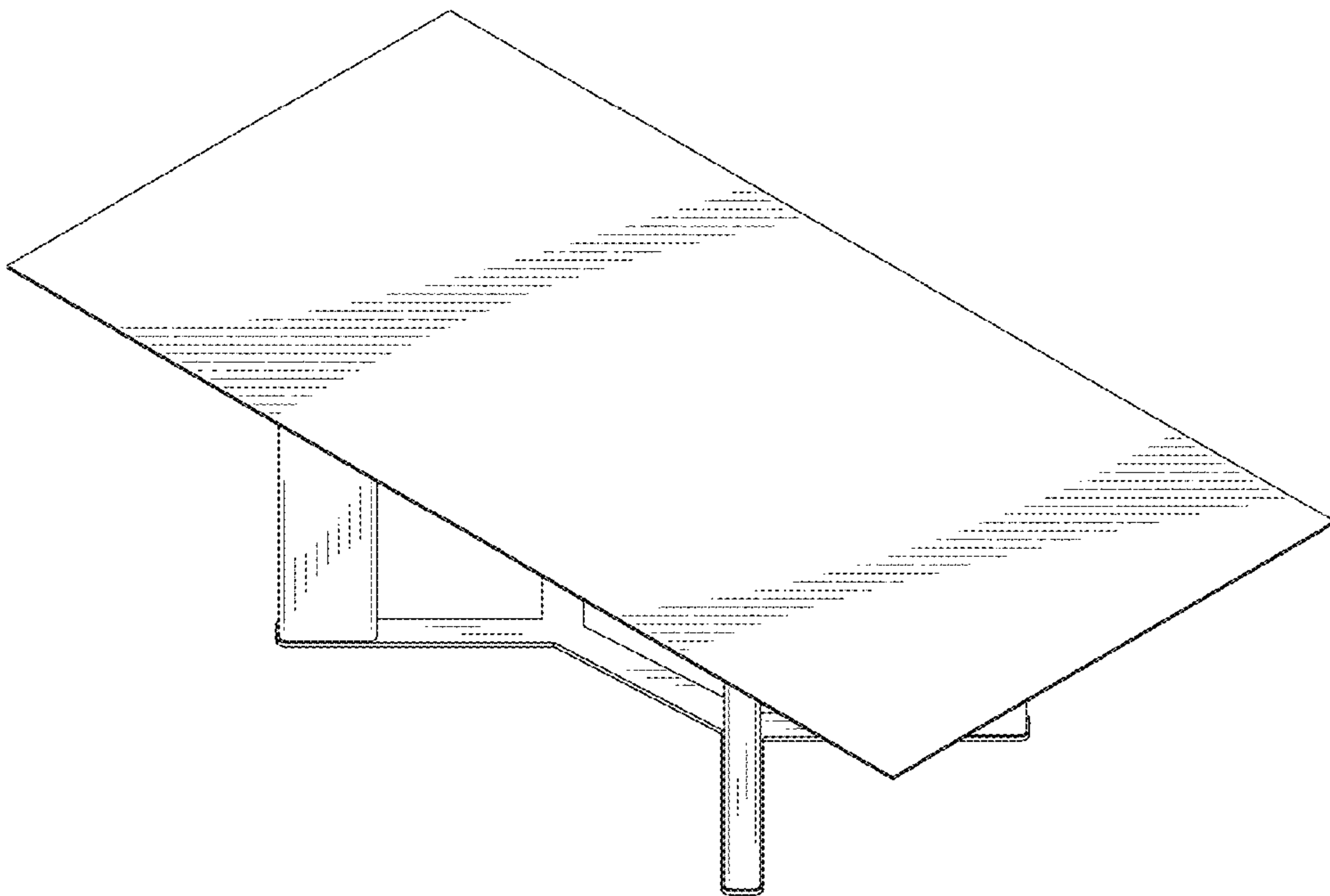


FIG. 10

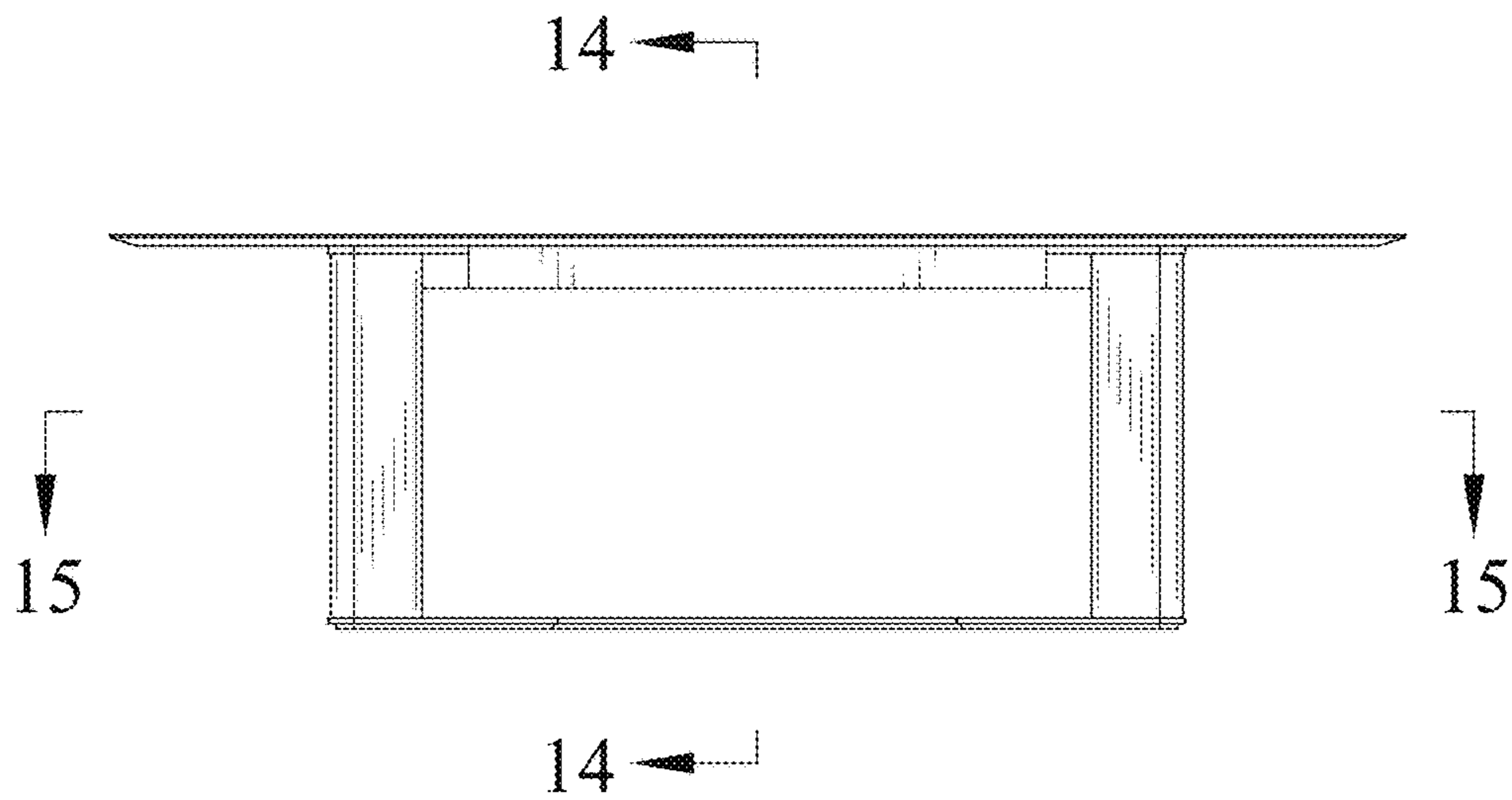


FIG. 11

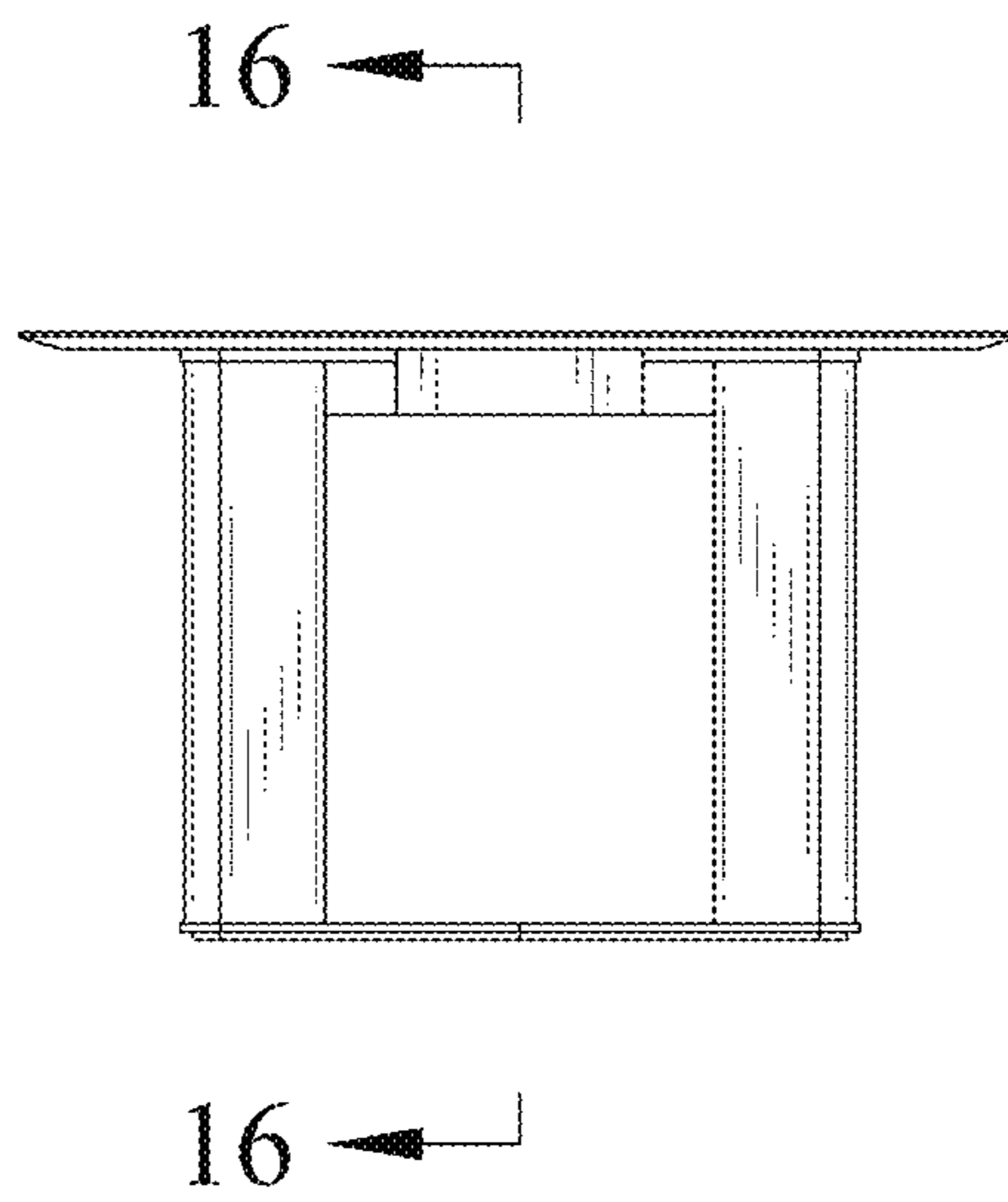


FIG. 12

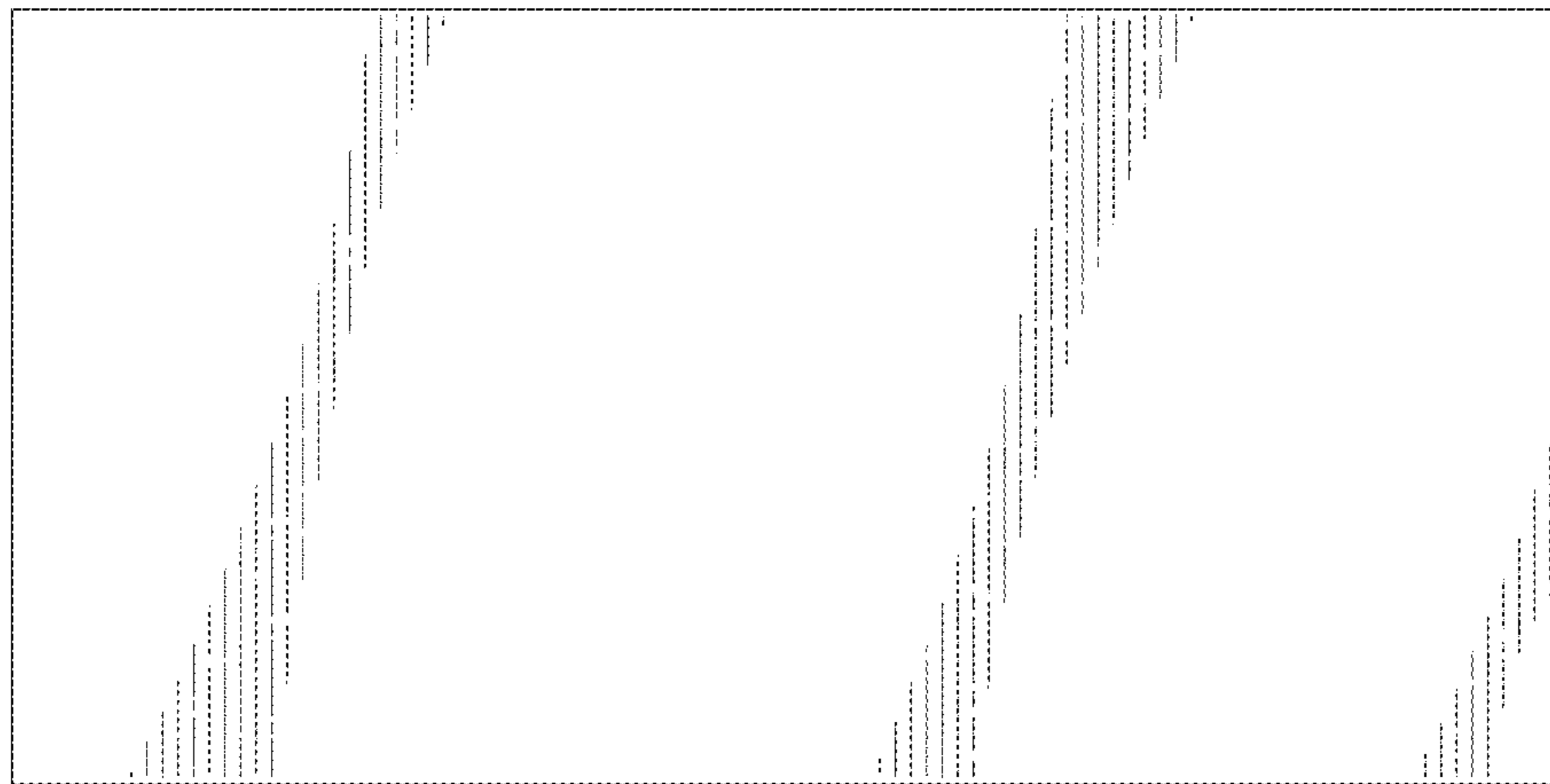


FIG. 13

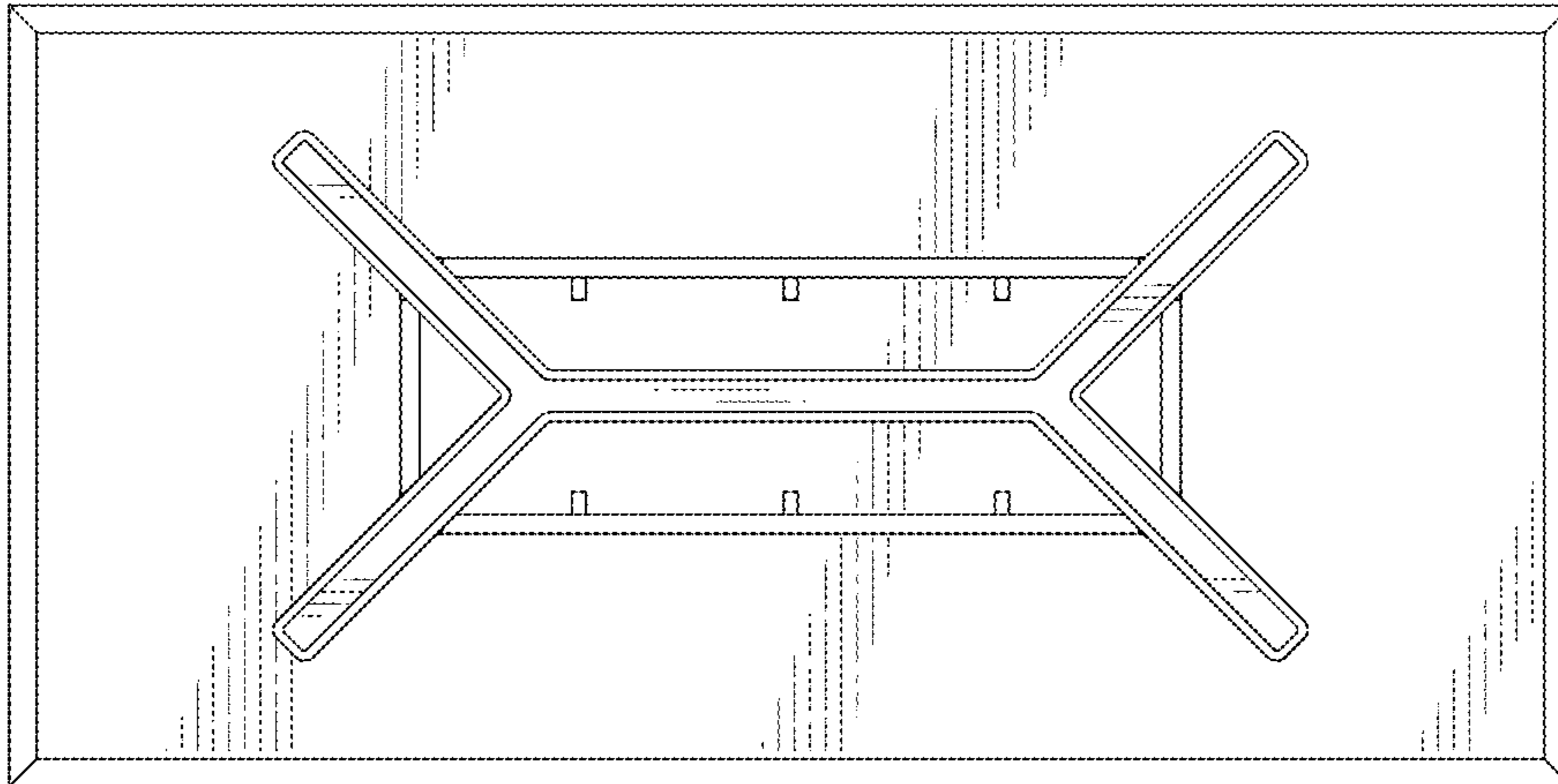


FIG. 14

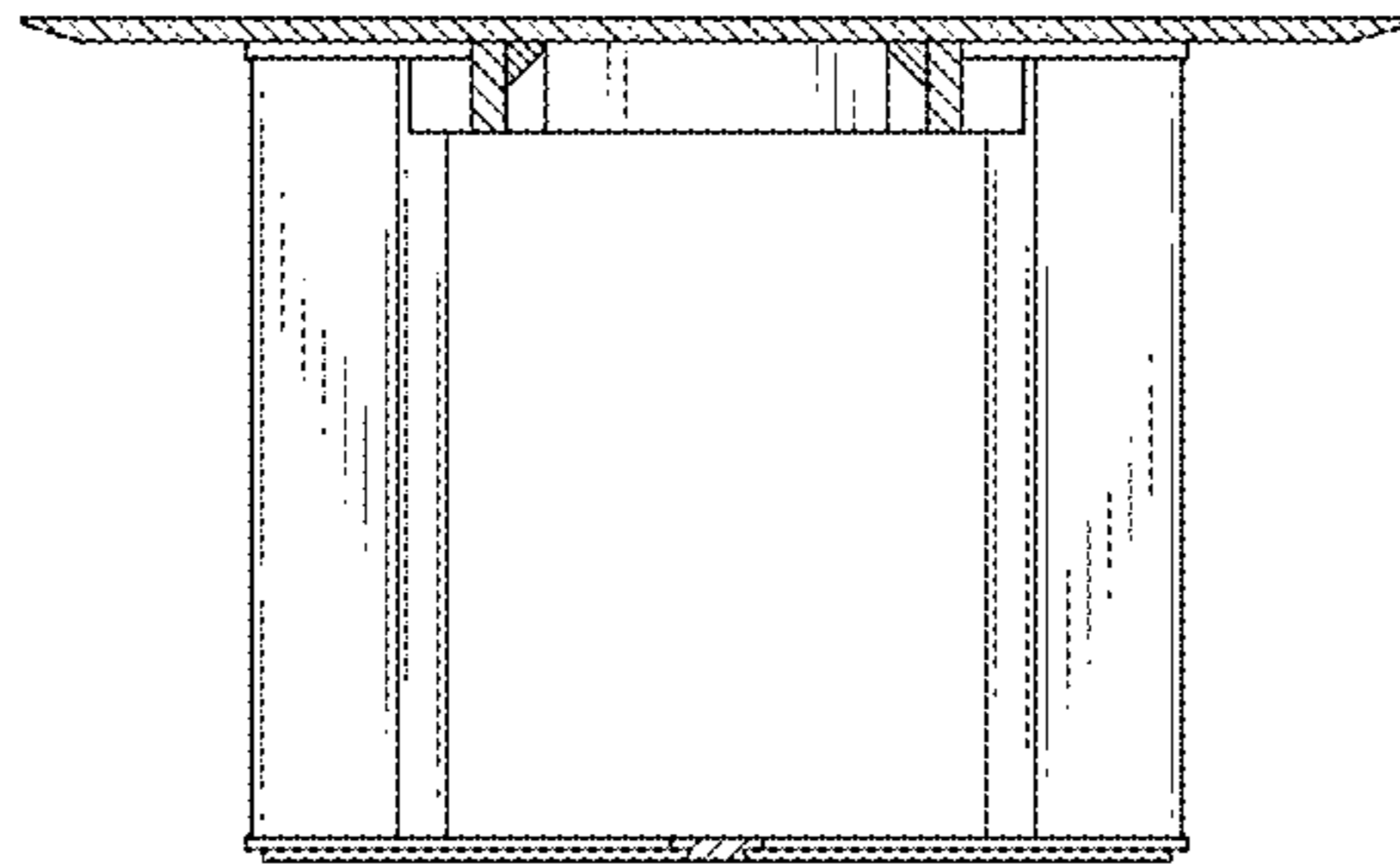


FIG. 15

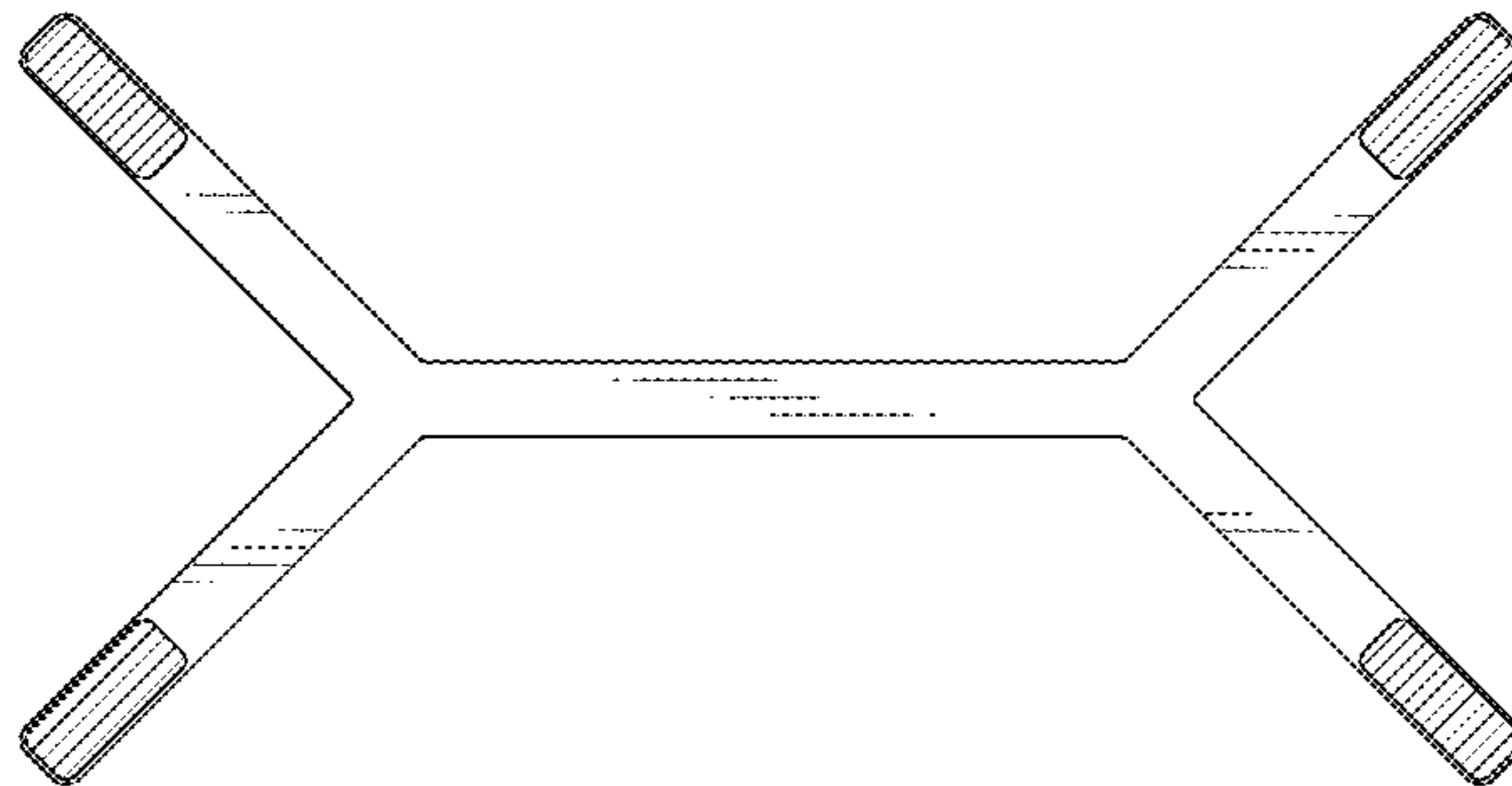


FIG. 16

