



US00D784740S

(12) **United States Design Patent**
Chipperfield

(10) **Patent No.:** **US D784,740 S**

(45) **Date of Patent:** **** Apr. 25, 2017**

- (54) **TABLE**
- (71) Applicant: **e15 Design und Distributions GmbH**,
Frankfurt am Main (DE)
- (72) Inventor: **David Chipperfield**, Berlin (DE)
- (73) Assignee: **e15 Design und Distributions GmbH**,
Frankfurt am Main (DE)
- (**) Term: **14 Years**
- (21) Appl. No.: **29/523,495**
- (22) Filed: **Apr. 10, 2015**
- (51) **LOC (10) Cl.** **06-04**
- (52) **U.S. Cl.**
USPC **D6/691; D6/337**
- (58) **Field of Classification Search**
USPC D6/691, 691.1, 691.2, 691.4, 691.8,
D6/707.18, 337; 108/118, 150, 155,
108/153.1; 248/188, 188.1
CPC .. A47B 3/14; A47B 7/00; A47B 21/00; A47B
25/00
See application file for complete search history.

(56) **References Cited**

U.S. PATENT DOCUMENTS

- D157,448 S * 2/1950 Sternkopf D6/691
- D263,910 S * 4/1982 Robertson D6/691.1
- 6,142,560 A * 11/2000 Miller A47B 3/14
297/158.4
- 6,612,401 B1 * 9/2003 Price B25H 1/06
182/153

- D512,586 S * 12/2005 Cross D6/691.1
- 7,516,708 B2 * 4/2009 Willy A47B 3/06
108/153.1
- D615,763 S * 5/2010 Radelet D6/336
- D640,885 S * 7/2011 Clark D6/691
- D708,461 S * 7/2014 Starck D6/691
- D718,541 S * 12/2014 Pedersen D6/337
- D728,980 S * 5/2015 Asner D6/691.1
- D729,556 S * 5/2015 Sampietro D6/691
- D757,470 S * 5/2016 Pedersen D6/686
- D758,113 S * 6/2016 Domingo D6/691
- D772,620 S * 11/2016 Dahlstrom D6/691
- 2014/0225401 A1 * 8/2014 Nellenbach A47B 3/14
297/158.4
- 2016/0135585 A1 * 5/2016 Garza A47B 37/04
297/158.4

* cited by examiner

Primary Examiner — Robin V Webster

Assistant Examiner — James Thorn, Sr.

(74) *Attorney, Agent, or Firm* — Ladas & Parry LLP

(57) **CLAIM**

The ornamental design for table, as shown and described.

DESCRIPTION

FIG. 1 is front perspective view of a first embodiment of my new design;

FIG. 2 is a front elevational view thereof;

FIG. 3 is a rear elevational view thereof;

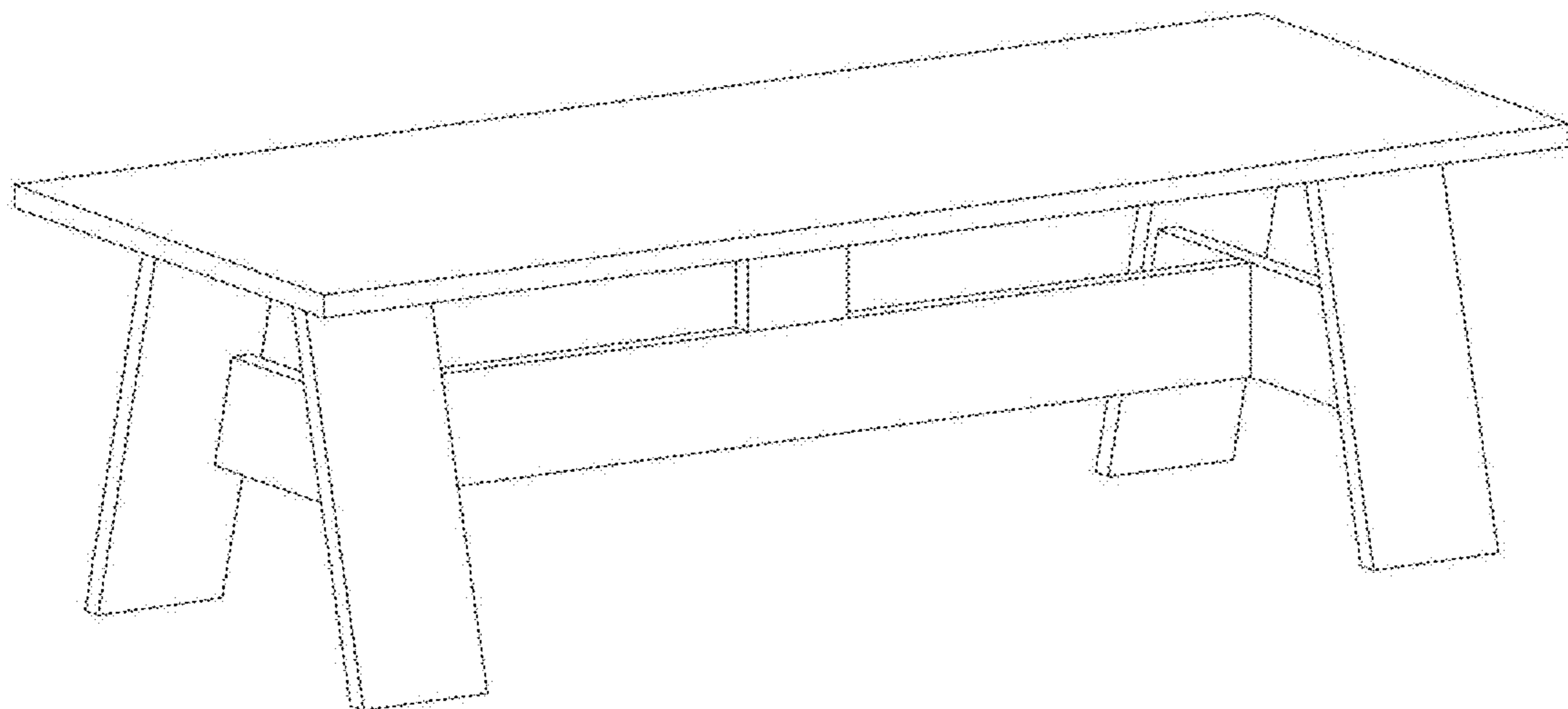
FIG. 4 is a left side elevational view thereof;

FIG. 5 is a right side elevational view thereof;

FIG. 6 is a top plan view thereof; and,

FIG. 7 is a bottom plan view thereof.

1 Claim, 7 Drawing Sheets



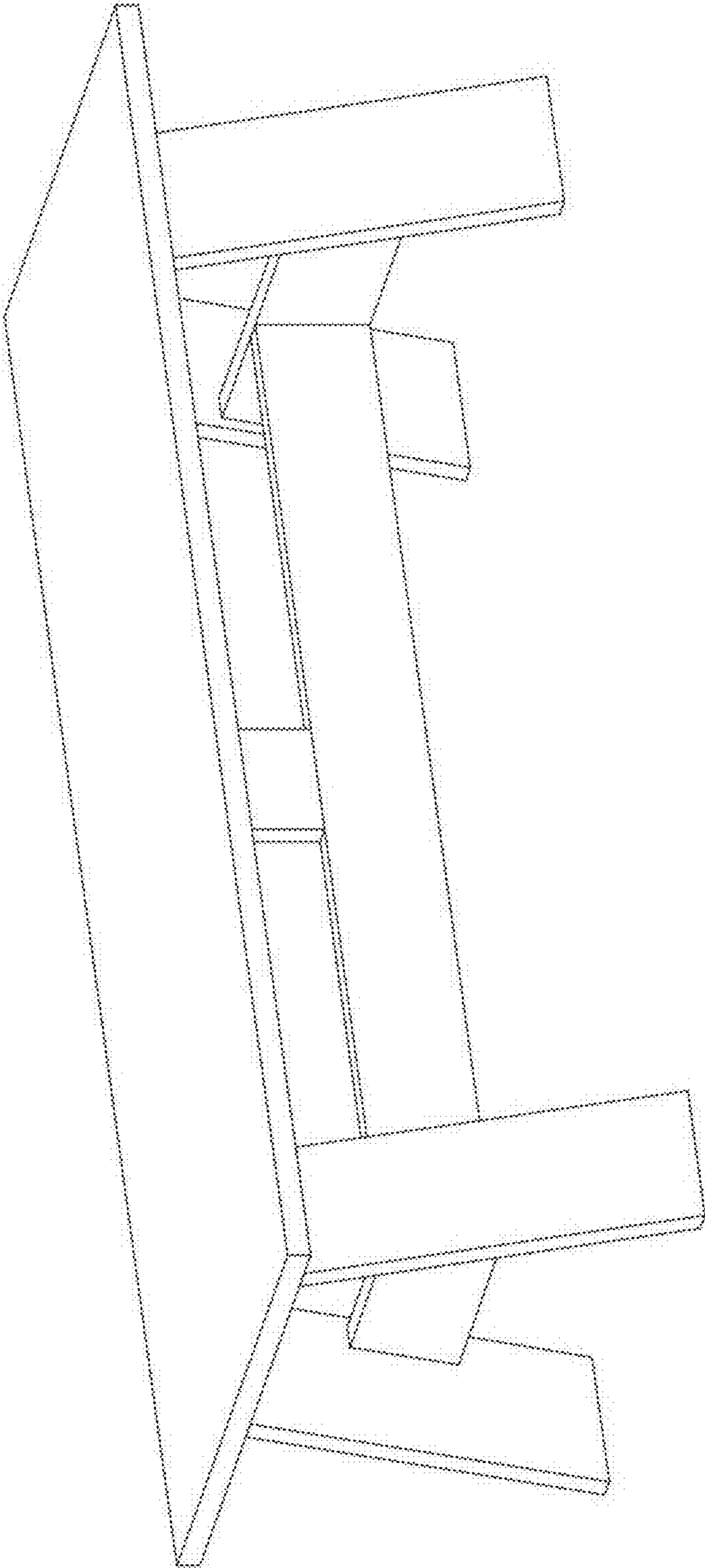


FIG. 1

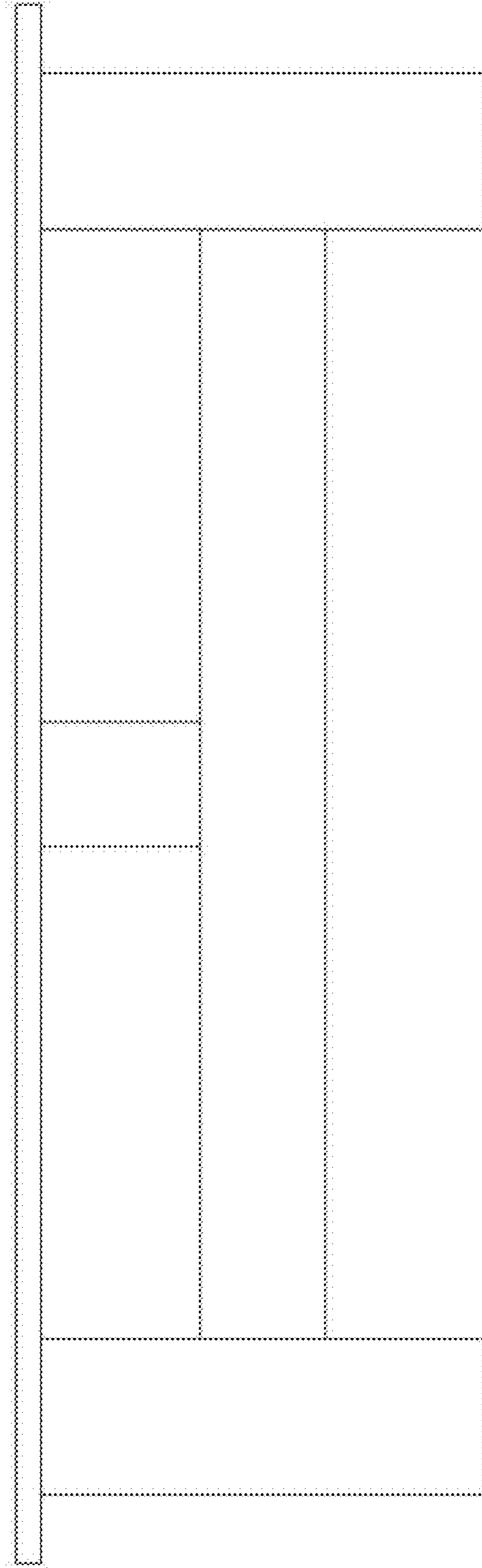


FIG. 2

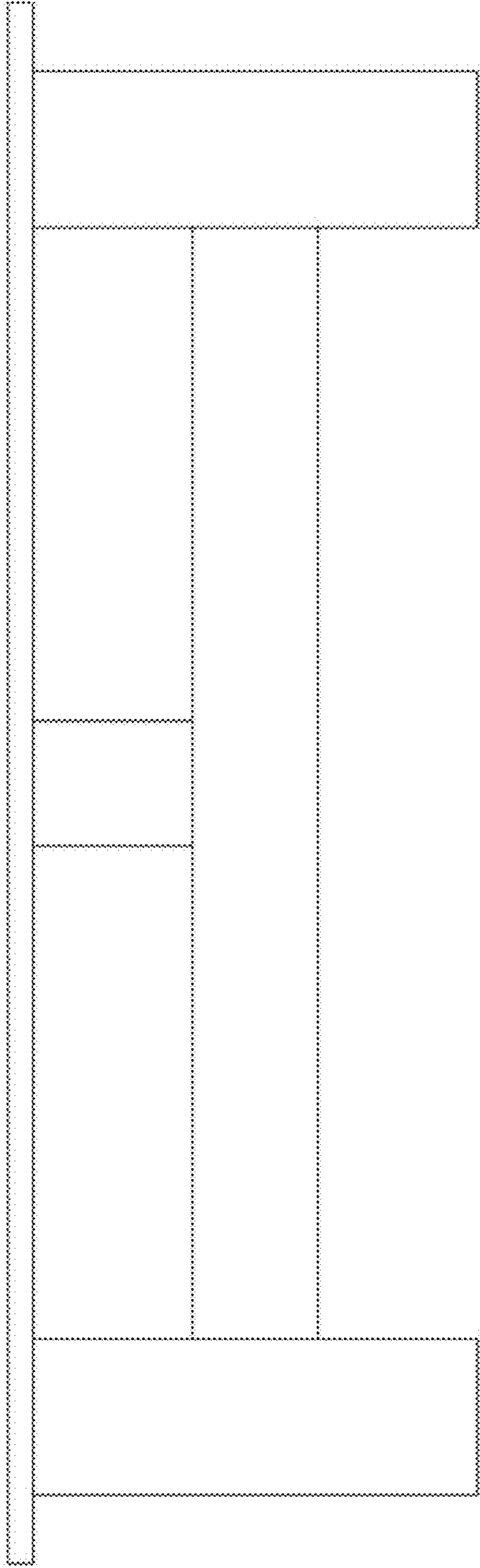


FIG. 3

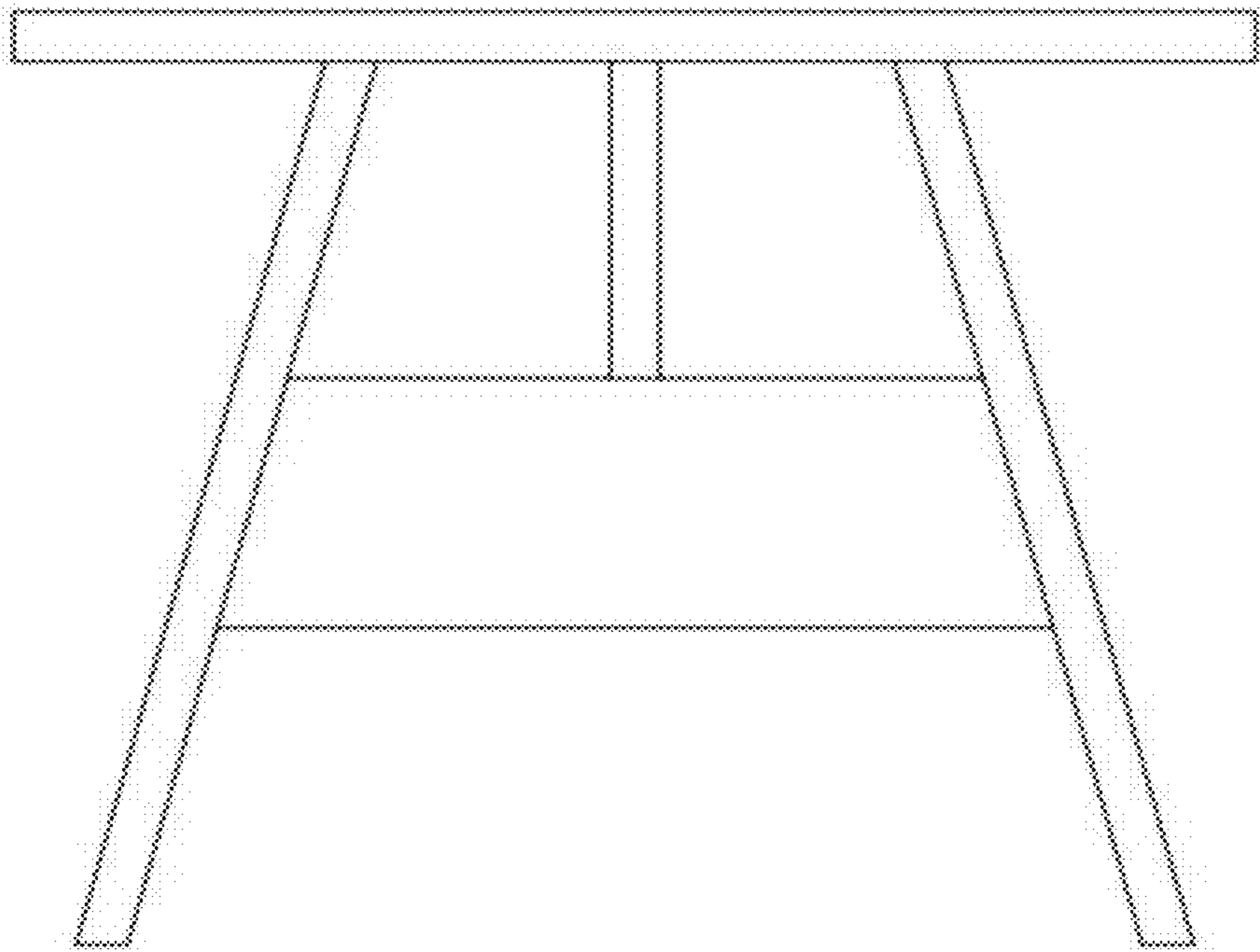


FIG. 4

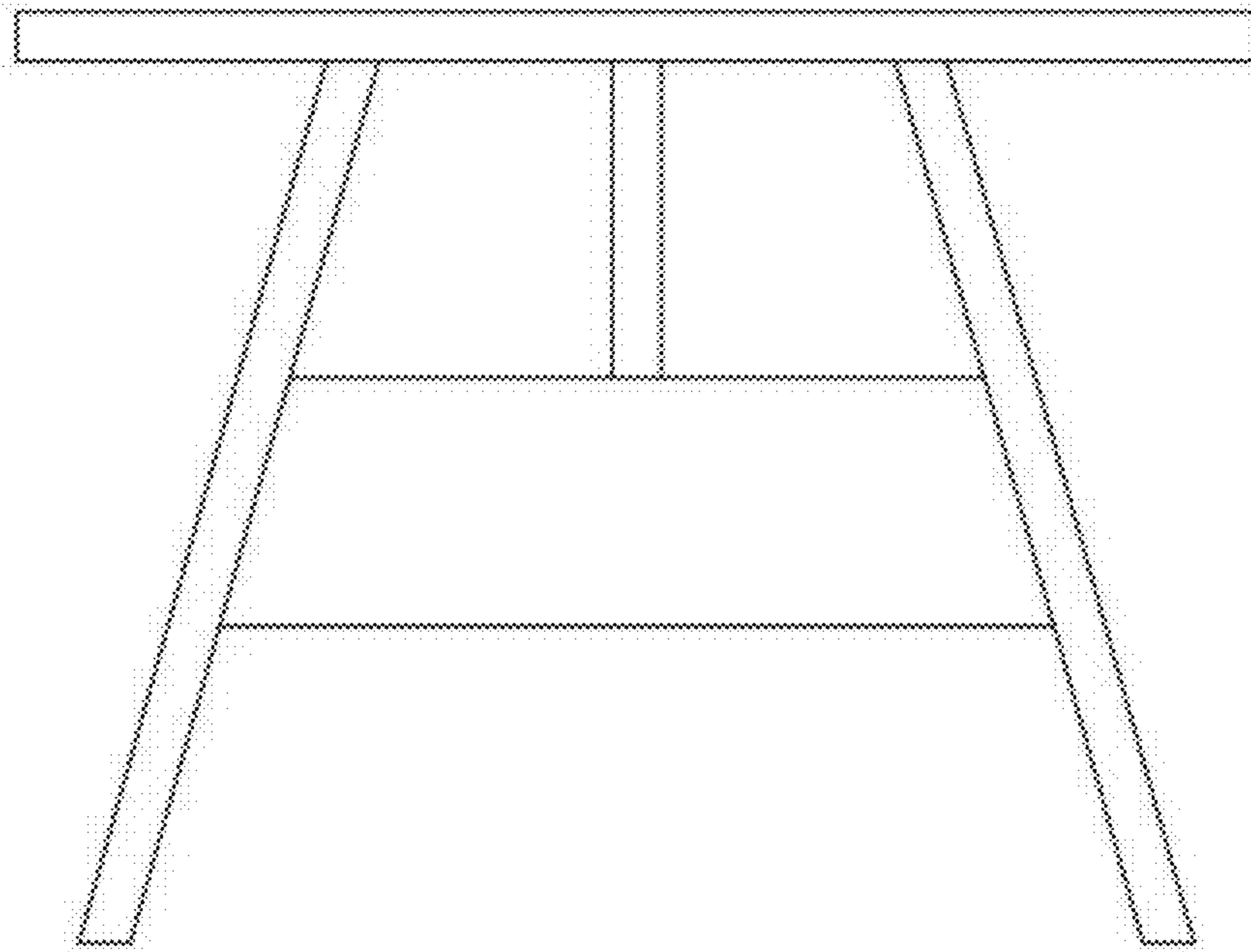


FIG. 5

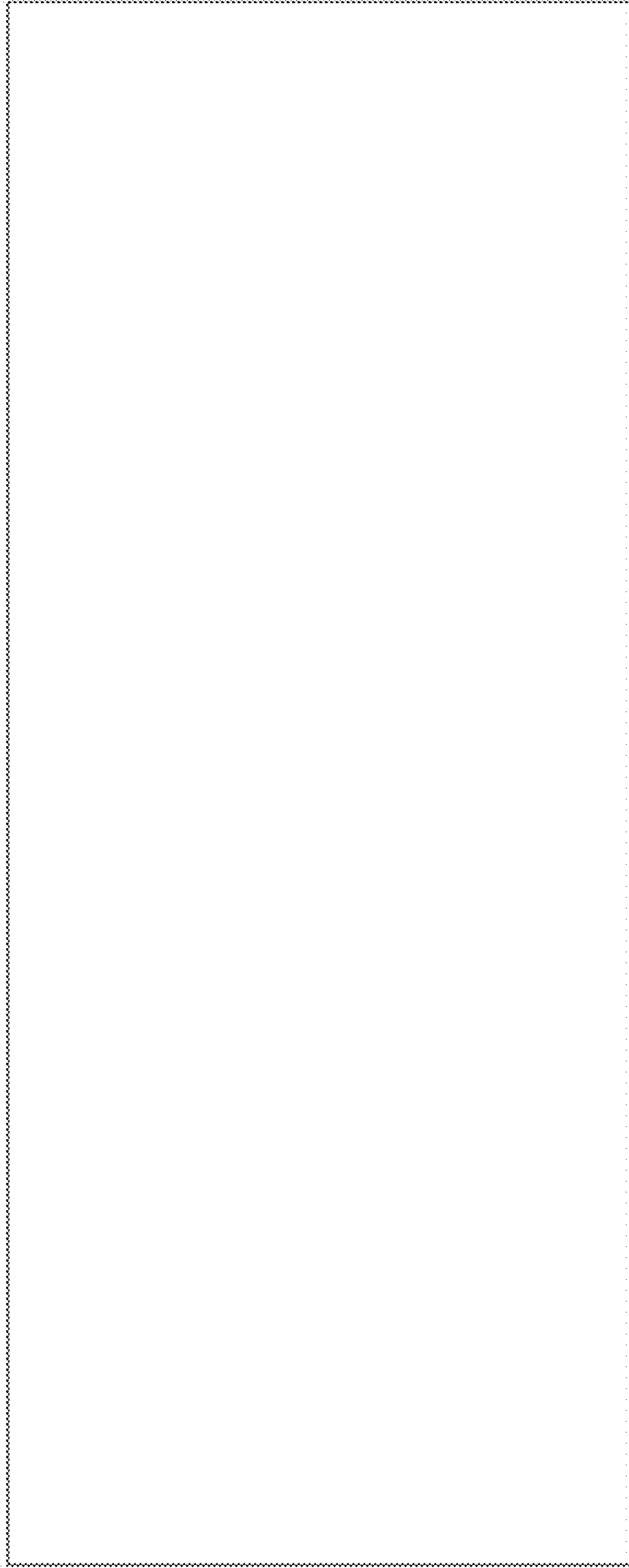


FIG. 6

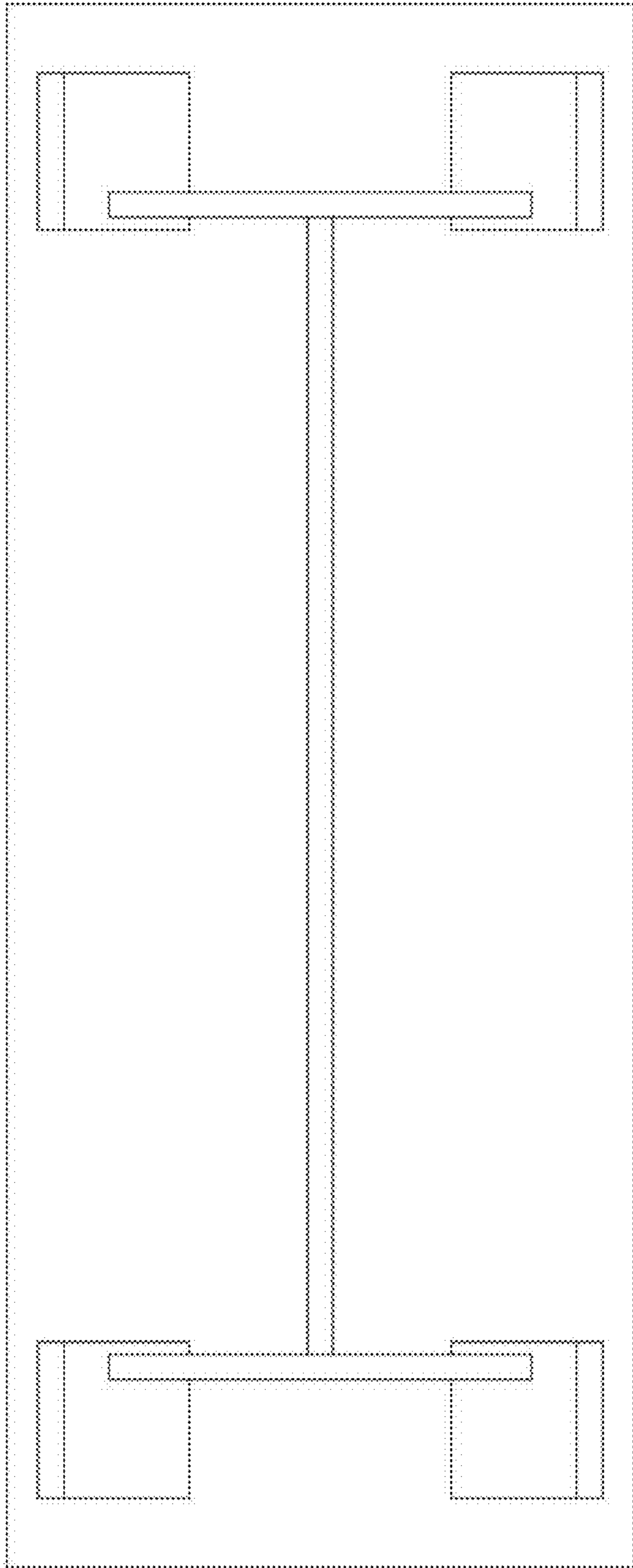


FIG. 7