



US00D784738S

(12) **United States Design Patent** (10) **Patent No.:** **US D784,738 S**
Wang (45) **Date of Patent:** **** Apr. 25, 2017**

(54) **FOLDABLE STORAGE SHELF WITH BASKETS**

(71) Applicant: **Wen-Tsan Wang**, Taipei (TW)

(72) Inventor: **Wen-Tsan Wang**, Taipei (TW)

(**) Term: **15 Years**

(21) Appl. No.: **29/549,368**

(22) Filed: **Dec. 22, 2015**

(51) **LOC (10) Cl.** **06-06**

(52) **U.S. Cl.**
USPC **D6/683.1**

(58) **Field of Classification Search**
USPC D3/303, 305, 311; D6/675, 675.1, 675.2,
D6/675.3, 683, 683.1; D19/75, 77, 78,
D19/90
CPC B25H 3/00; A47F 5/0025; A47F 5/0043;
A47F 5/0081
See application file for complete search history.

(56) **References Cited**

U.S. PATENT DOCUMENTS

- 5,000,329 A * 3/1991 Luberto A47F 5/11
211/132.1
- 5,094,352 A * 3/1992 Green, Sr. A47J 47/16
211/186
- 5,240,127 A * 8/1993 Levin A47B 87/0223
211/133.1
- D363,840 S * 11/1995 Weshler D6/683.1

- D382,513 S * 8/1997 Bozzone D11/131
- D492,861 S * 7/2004 Lenger D6/675.3
- D541,557 S * 5/2007 Weatherly D6/675.3
- D624,200 S * 9/2010 Kieffer D25/65
- D635,377 S * 4/2011 Rodgers D6/675.3
- D657,591 S * 4/2012 Sanchez D6/675.1
- D685,851 S * 7/2013 Offenkrantz D19/90
- D716,080 S * 10/2014 Bell D6/675.1

* cited by examiner

Primary Examiner — Kelley Donnelly

(74) *Attorney, Agent, or Firm* — Leong C. Lei

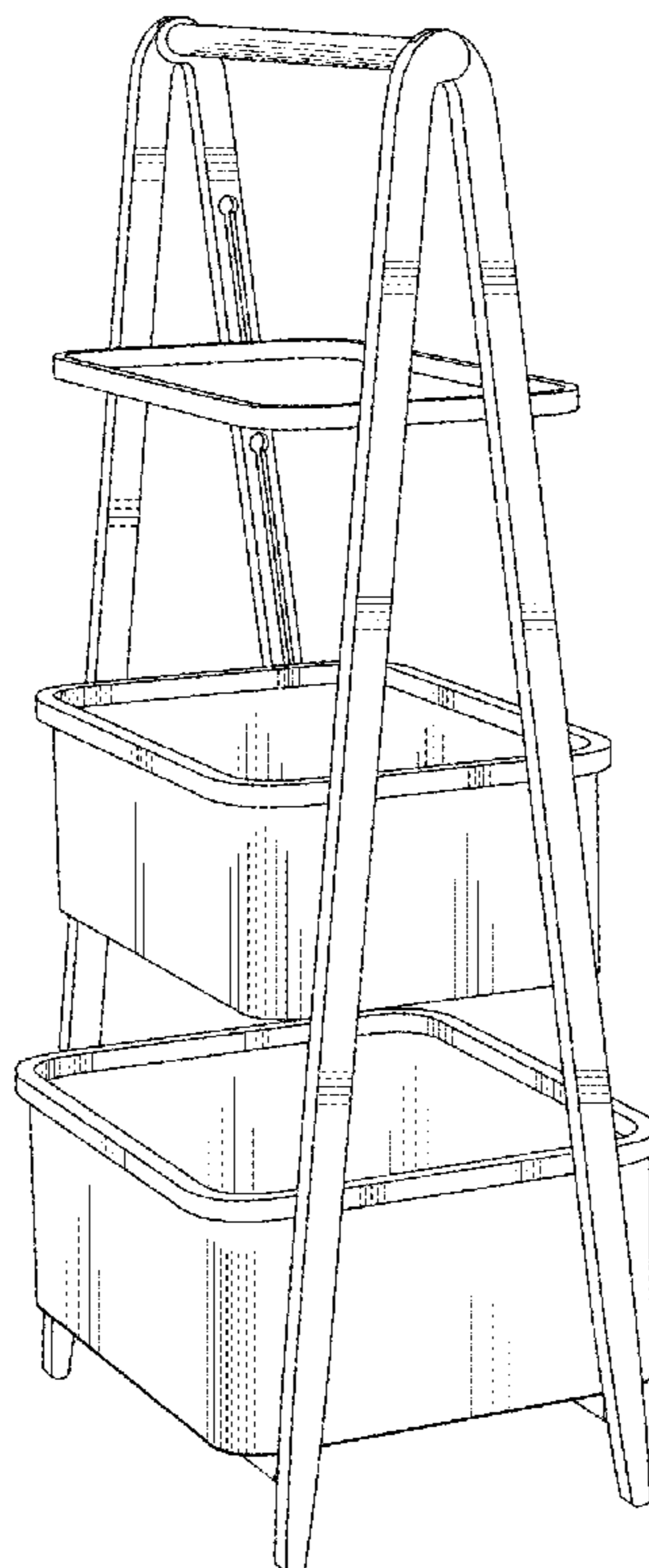
(57) **CLAIM**

The ornamental design for a foldable storage shelf with baskets, as shown and described.

DESCRIPTION

FIG. 1 is a perspective view of a foldable storage shelf with baskets showing my new design;
 FIG. 2 is a front elevational view thereof;
 FIG. 3 is a rear elevational view thereof;
 FIG. 4 is a left side elevational view thereof;
 FIG. 5 is a right side elevational view thereof;
 FIG. 6 is a top plan view thereof;
 FIG. 7 is a bottom plan view thereof;
 FIG. 8 is another perspective view thereof, showing the folding status; and,
 FIG. 9 is another perspective view thereof, showing the status while in fold-up position.

1 Claim, 6 Drawing Sheets



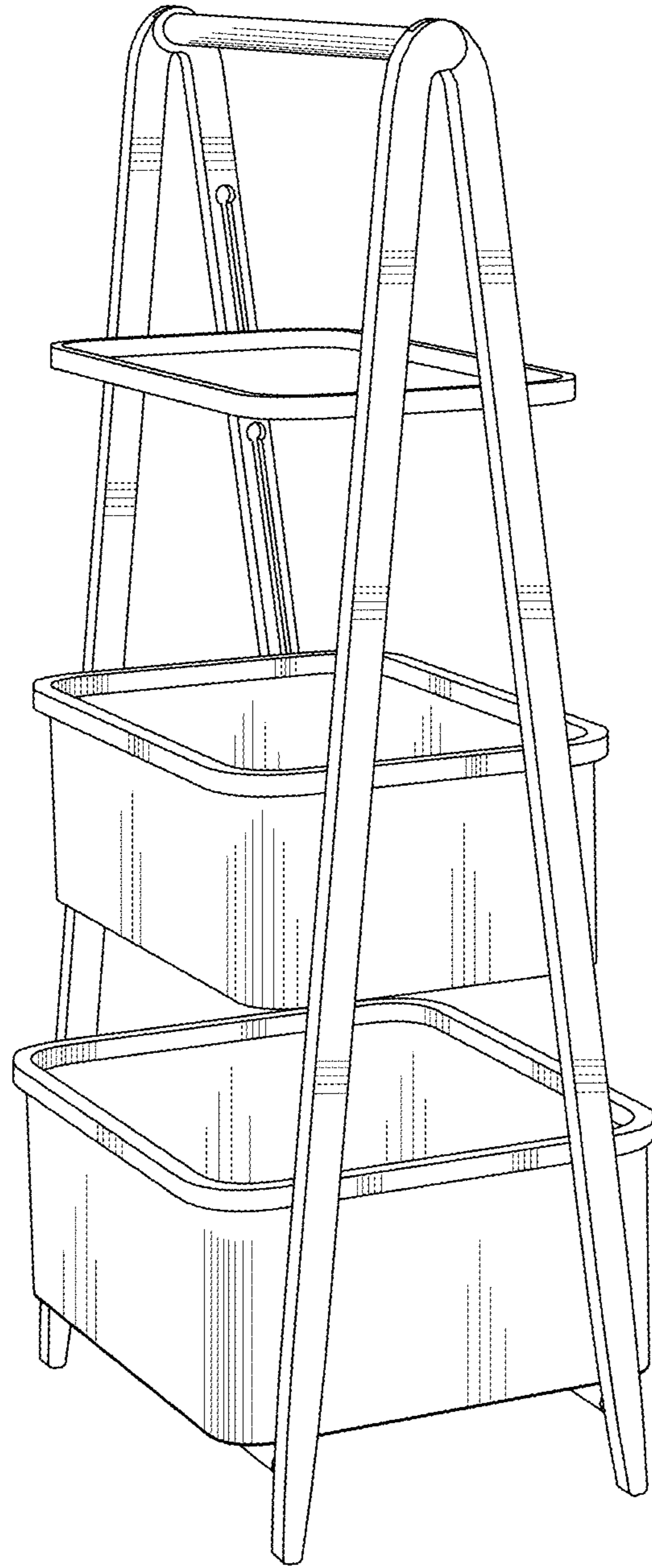


FIG. 1

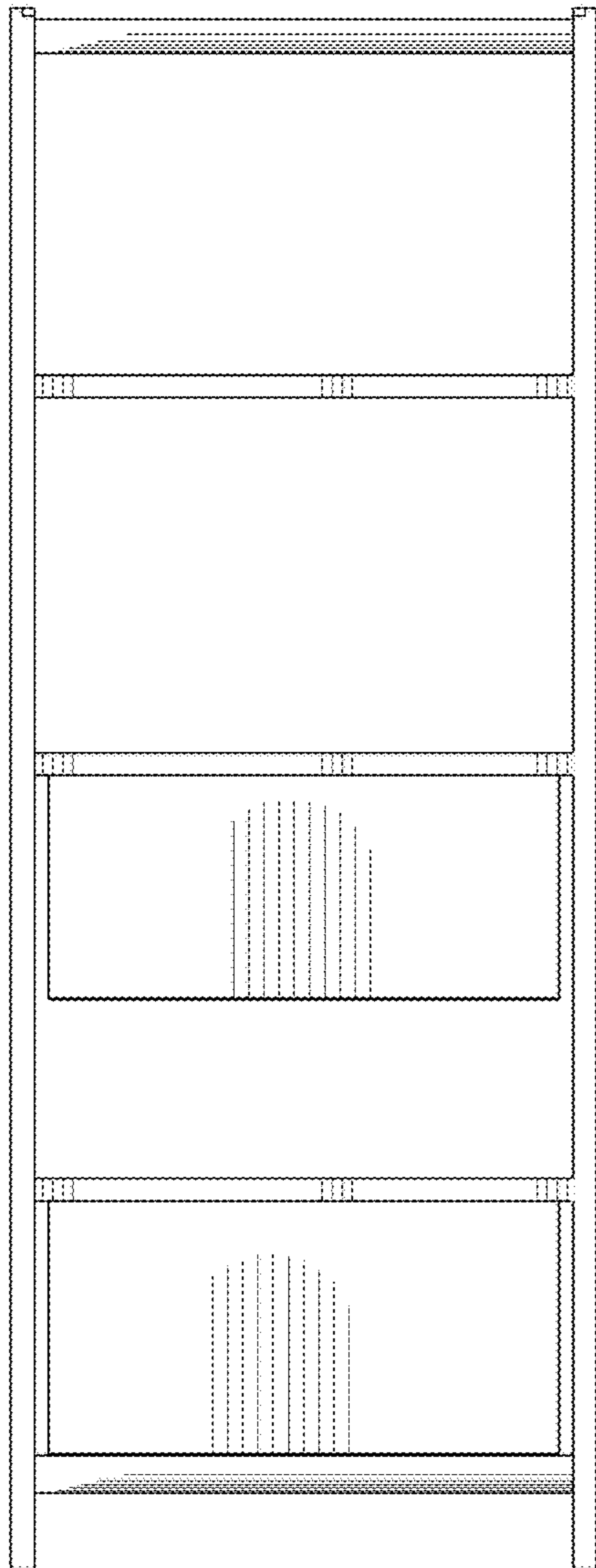


FIG. 2

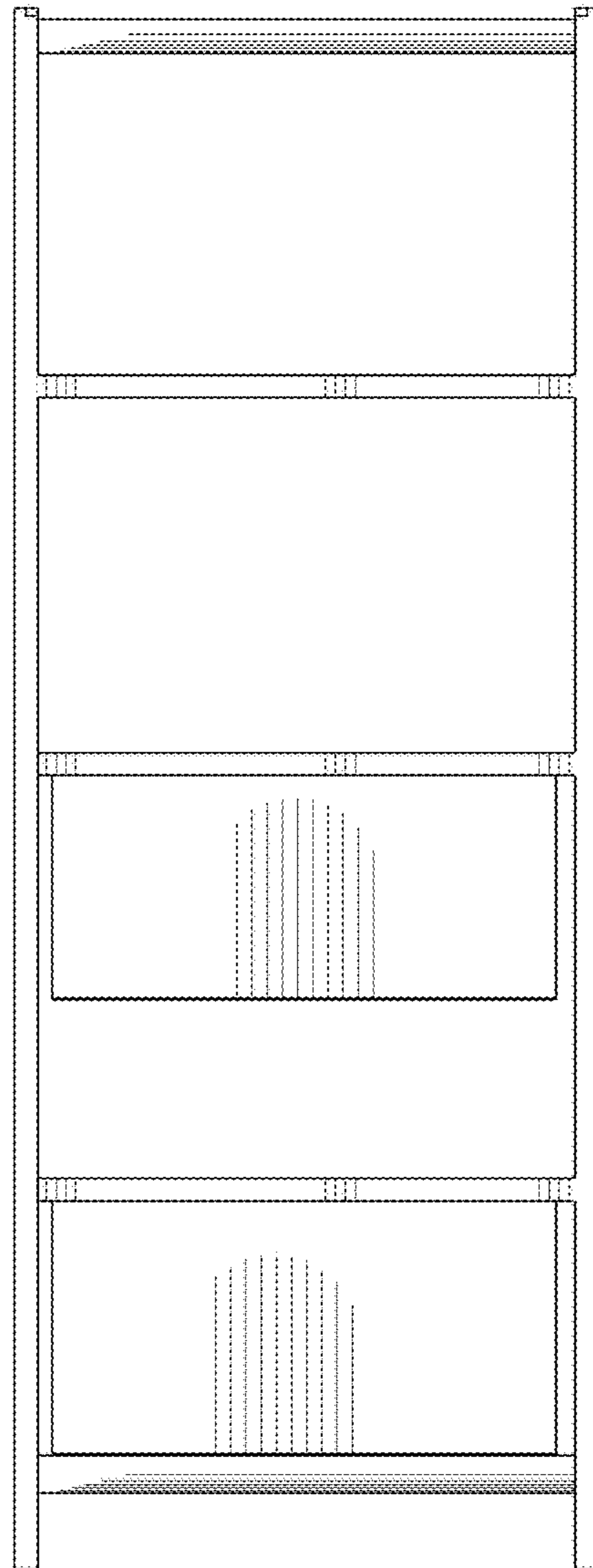


FIG. 3

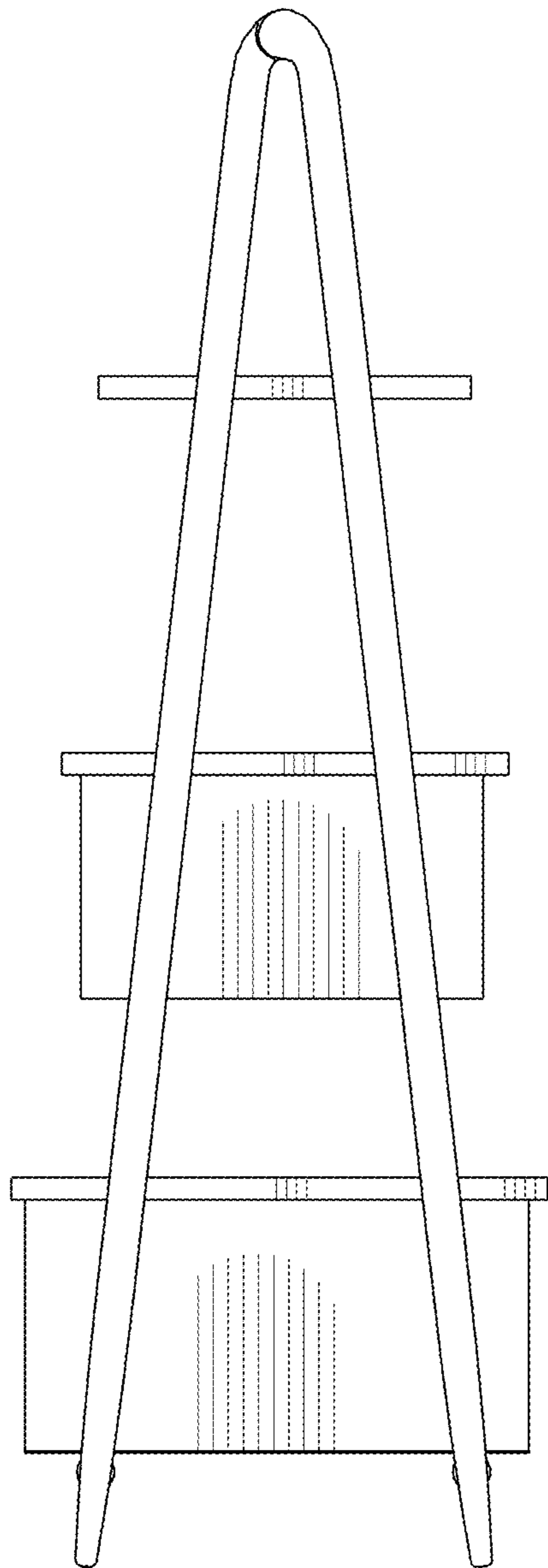


FIG. 4

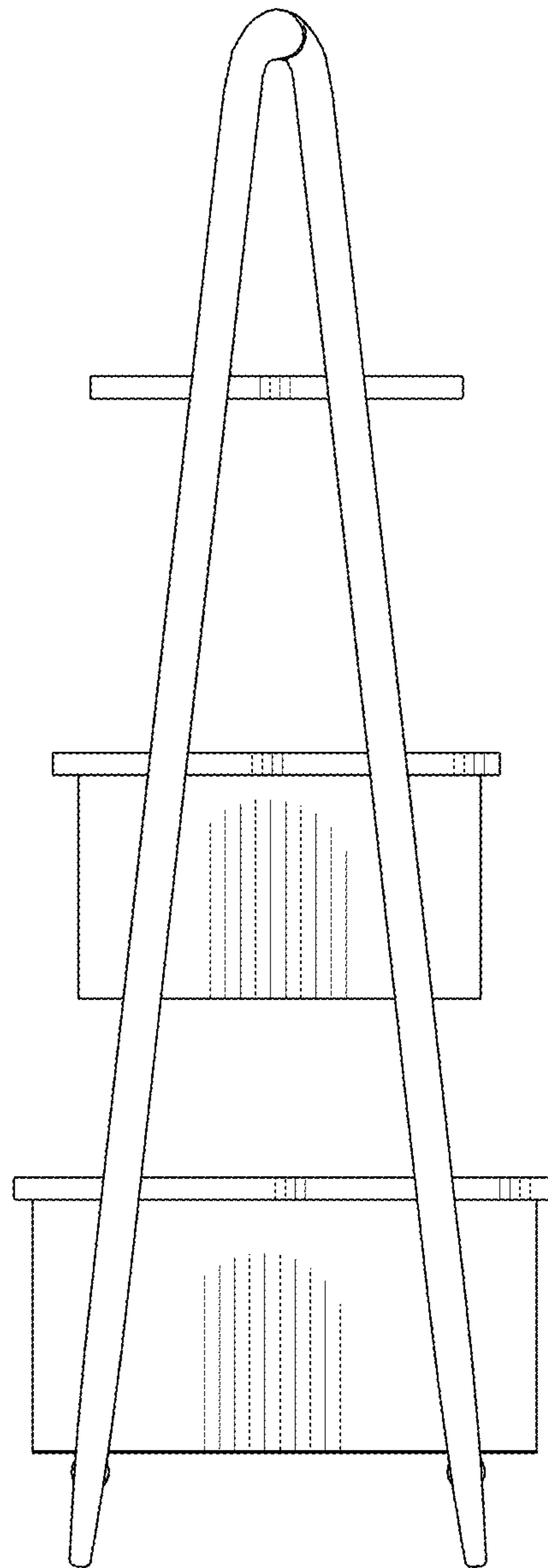


FIG. 5

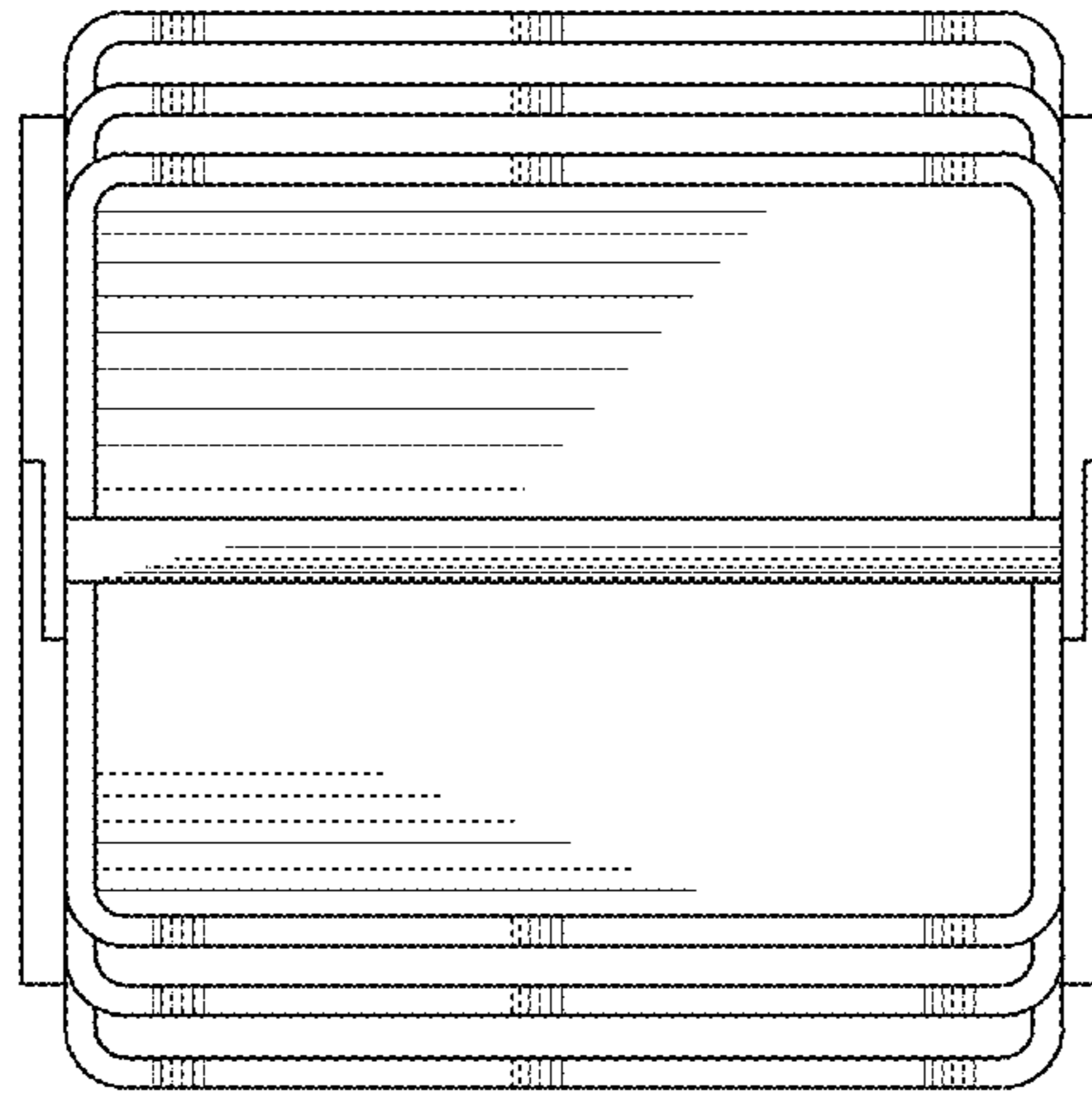


FIG. 6

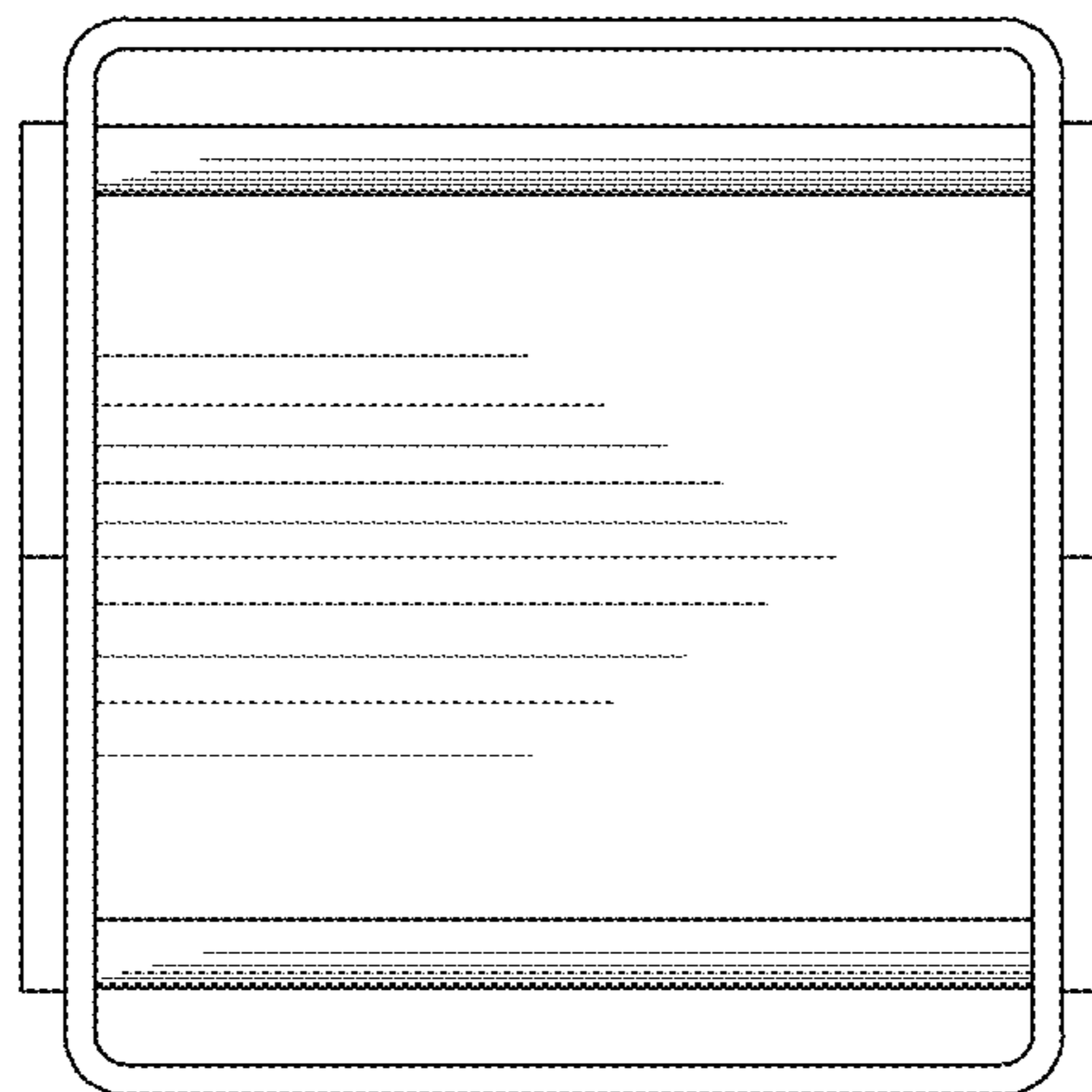


FIG. 7

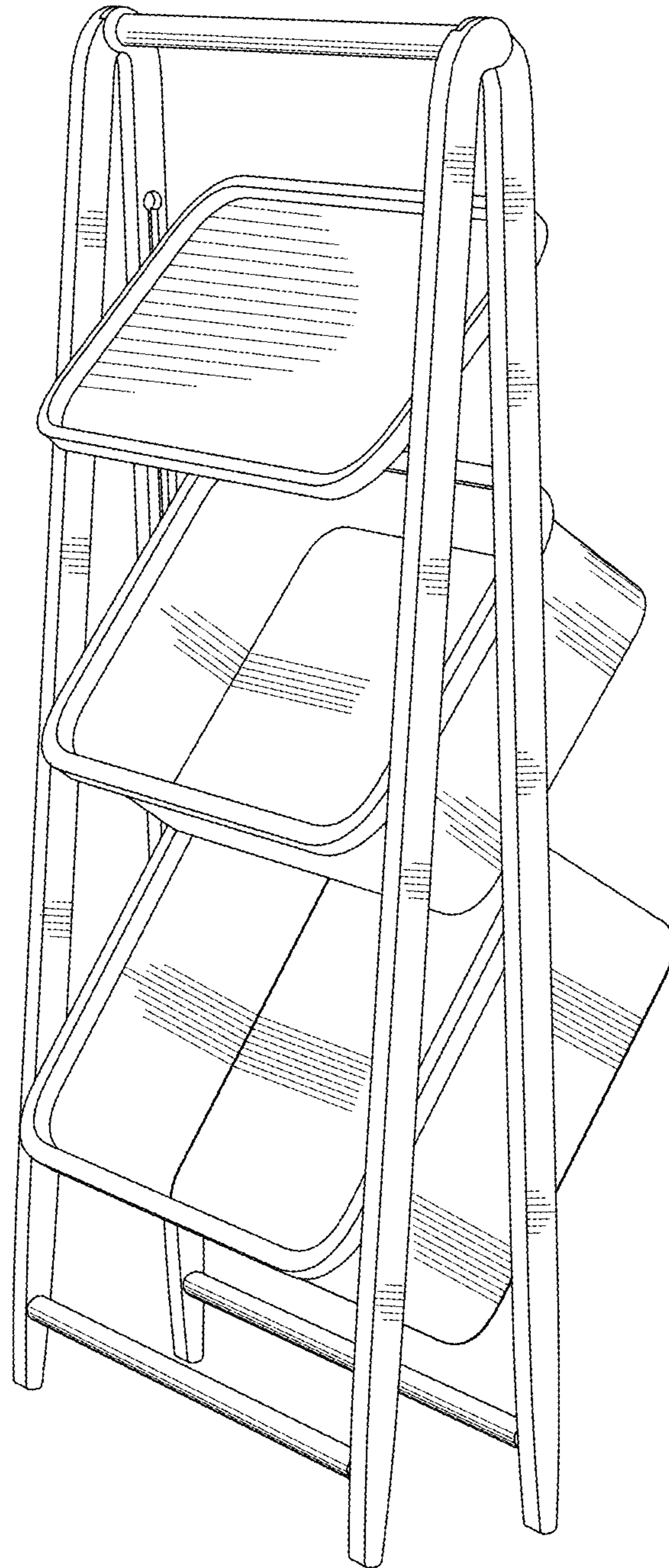


FIG. 8

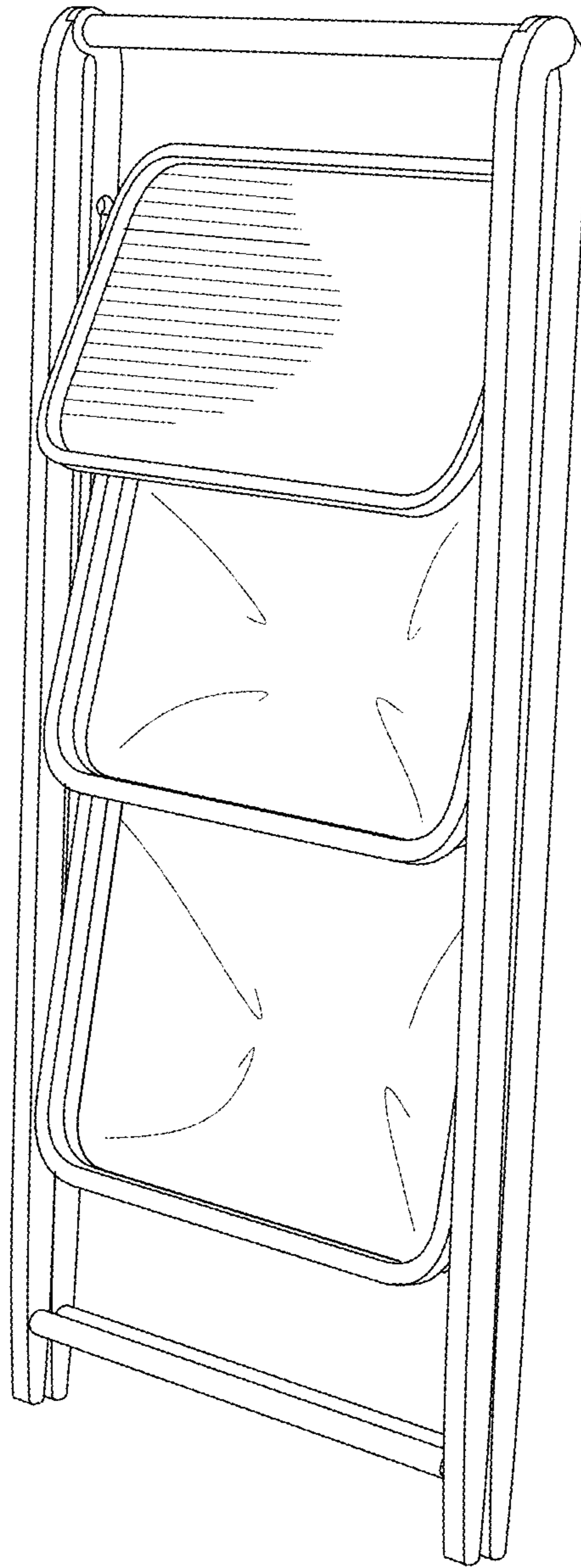


FIG. 9