



US00D784737S

(12) **United States Design Patent**
Kroll

(10) **Patent No.:** **US D784,737 S**

(45) **Date of Patent:** **** *Apr. 25, 2017**

(54) **CROSS-SHAPED DISPLAY FRAME FOR
INSERTION OF DISPLAY MATERIAL**

(71) Applicant: **William F. Kroll**, Northbrook, IL (US)

(72) Inventor: **William F. Kroll**, Northbrook, IL (US)

(*) Notice: This patent is subject to a terminal disclaimer.

(**) Term: **15 Years**

(21) Appl. No.: **29/565,877**

(22) Filed: **May 25, 2016**

Related U.S. Application Data

(63) Continuation-in-part of application No. 29/488,398, filed on Apr. 18, 2014, now Pat. No. Des. 768,414.

(51) **LOC (10) Cl.** **06-04**

(52) **U.S. Cl.**

USPC **D6/674**; D6/303; D20/29; D99/27

(58) **Field of Classification Search**

USPC D6/300-314, 343, 352, 362, 391, 514,
D6/519, 552, 556, 573, 574, 629, 630,

(Continued)

(56) **References Cited**

U.S. PATENT DOCUMENTS

D168,686 S * 1/1953 Hunter D6/515

D658,908 S * 5/2012 Kroll D6/674

(Continued)

Primary Examiner — Cathron Brooks

Assistant Examiner — Teddy Falloway

(74) *Attorney, Agent, or Firm* — Mark D. Bowen; Malin
Haley DiMaggio & Bowen, P.A.

(57) **CLAIM**

The ornamental design for a cross-shaped display frame for insertion of display material, as shown and described.

DESCRIPTION

FIG. 1 is a front perspective view of a cross-shaped display frame for insertion of display material in accordance with the present invention,

FIG. 2 is a rear perspective view thereof;

FIG. 3 is a front thereof, with the rear view being identical;

FIG. 4 is a left side view thereof, with the right side view being identical;

FIG. 5 is a top view thereof;

FIG. 6 is a bottom view thereof;

FIG. 7 is a front perspective view of another embodiment of a cross-shaped display frame for insertion of display material in accordance with the present invention,

FIG. 8 is a rear perspective view thereof;

FIG. 9 is a front thereof, with the rear view being identical;

FIG. 10 is a left side view thereof, with the right side view being identical;

FIG. 11 is a top view thereof;

FIG. 12 is a bottom view thereof;

FIG. 13 is a front perspective view of another embodiment of a cross-shaped display frame for insertion of display material in accordance with the present invention,

FIG. 14 is a rear perspective view thereof;

FIG. 15 is a front thereof, with the rear view being identical;

FIG. 16 is a left side view thereof, with the right side view being identical;

FIG. 17 is a top view thereof;

FIG. 18 is a bottom view thereof.

FIG. 19 is a front perspective view of another embodiment of a cross-shaped display frame for insertion of display material in accordance with the present invention,

FIG. 20 is a rear perspective view thereof;

FIG. 21 is a front thereof, with the rear view being identical;

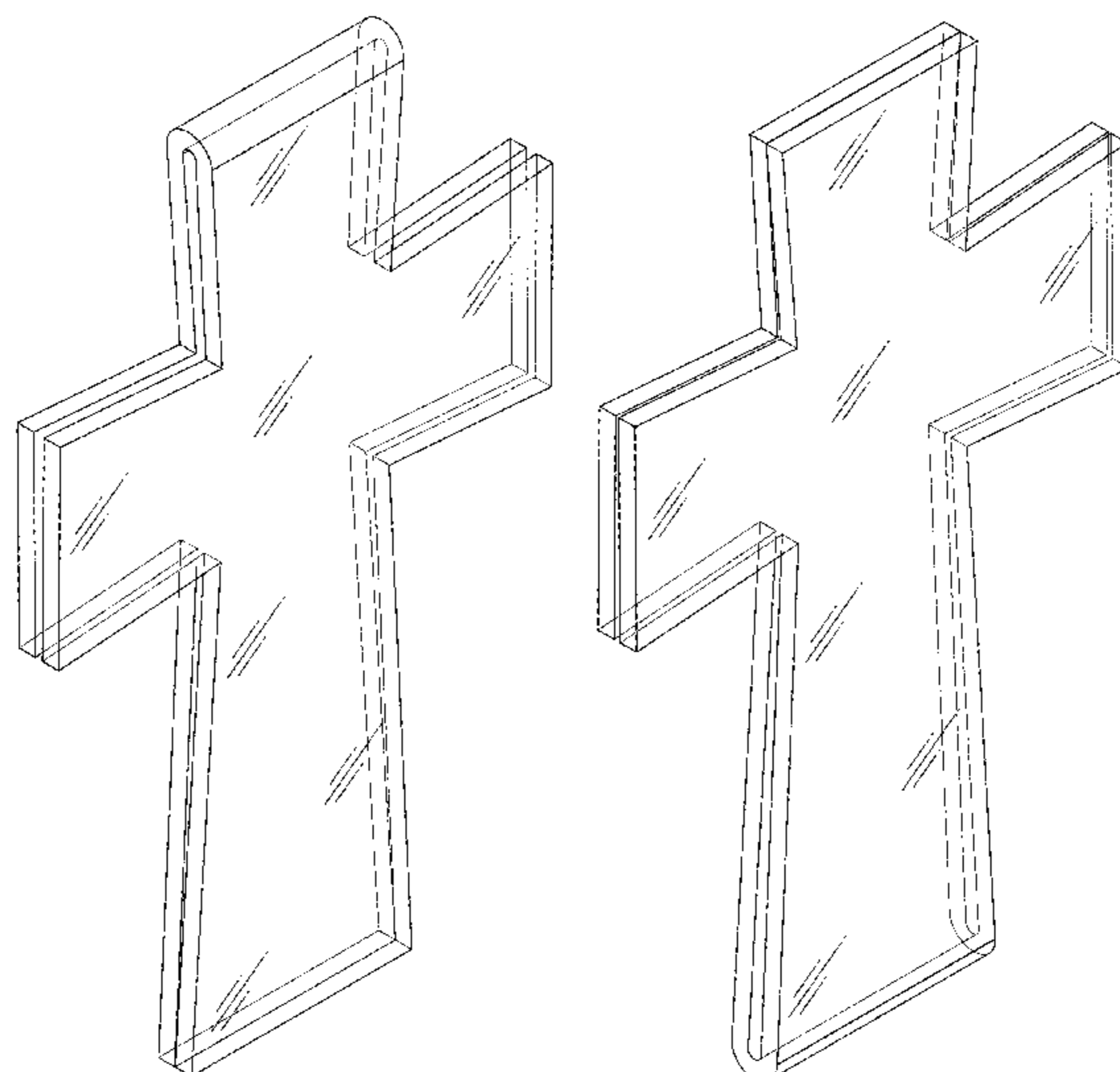
FIG. 22 is a left side view thereof, with the right side view being identical;

FIG. 23 is a top view thereof; and,

FIG. 24 is a bottom view thereof.

The dot-dash broken lines shown in FIGS. 7-12 and 19-24 represent the bounds of the claimed design and form no part thereof.

1 Claim, 16 Drawing Sheets



(58) **Field of Classification Search**

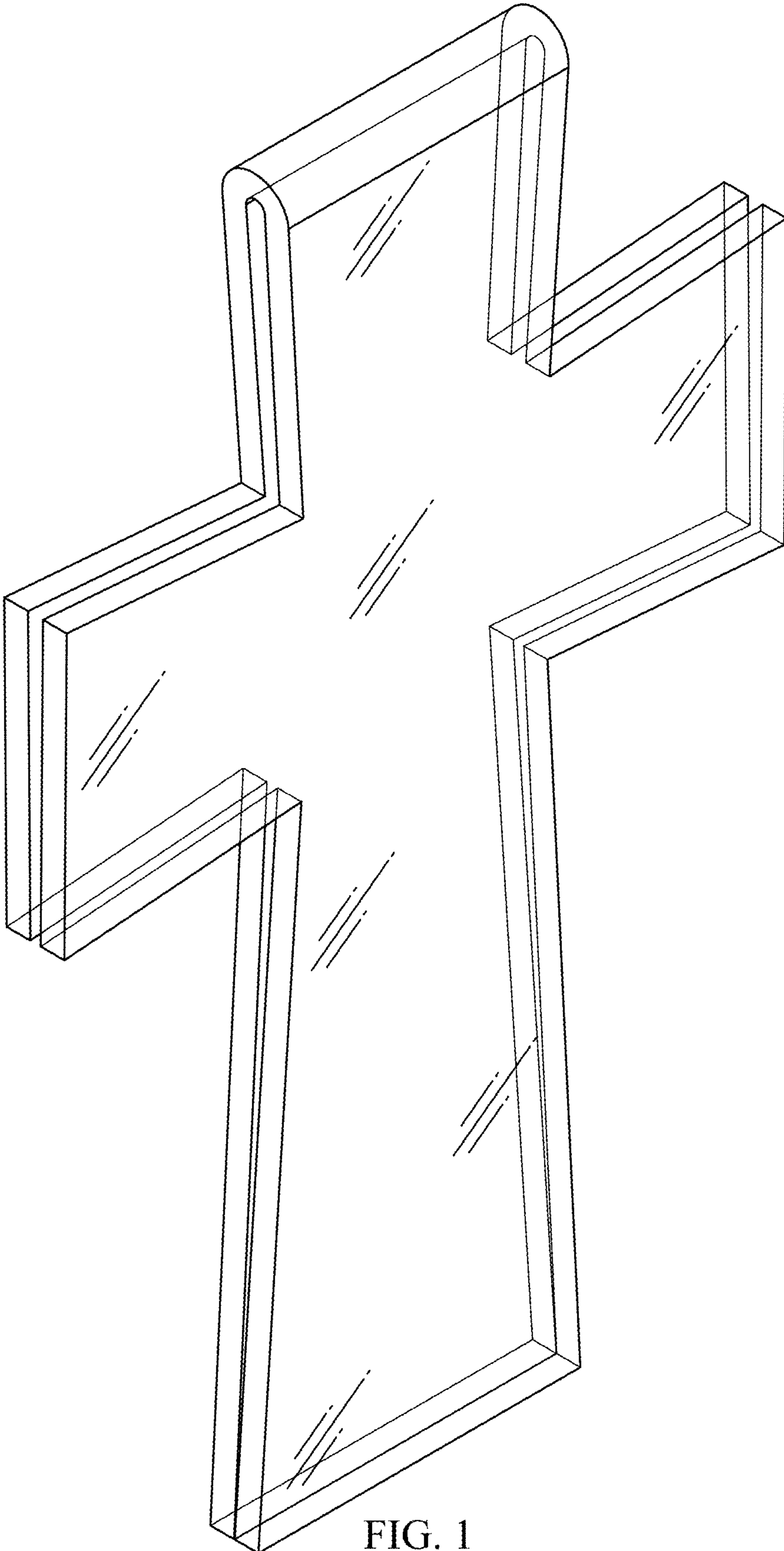
USPC D6/641, 653, 653.14, 653.21, 661.2, 670,
D6/672-675, 675.1, 675.3, 675.4, 676.3,
D6/680.2, 685, 691.5; D11/86, 96, 122,
D11/125, 157; D20/15, 29; D26/4, 94,
D26/125; D99/5, 17, 23, 25, 27; 428/3
CPC A47F 3/00; A47F 5/00
See application file for complete search history.

(56) **References Cited**

U.S. PATENT DOCUMENTS

D659,430	S	*	5/2012	Kroll	D6/674
D659,431	S	*	5/2012	Kroll	D6/674
D659,432	S	*	5/2012	Kroll	D6/674
D671,770	S	*	12/2012	Kroll	D6/674
RE45,427	E	*	3/2015	Kroll	D6/300
RE45,428	E	*	3/2015	Kroll	D6/300
RE45,546	E	*	6/2015	Kroll	D6/674
RE45,560	E	*	6/2015	Kroll	D6/300
RE45,622	E	*	7/2015	Kroll	D6/300
D745,793	S	*	12/2015	Kroll	D20/29
D746,086	S	*	12/2015	Kroll	D20/29
RE45,843	E	*	1/2016	Kroll	D6/300
D752,367	S	*	3/2016	Kroll	D20/29
D752,368	S	*	3/2016	Kroll	D20/29
D757,466	S	*	5/2016	Kroll	D20/29
RE46,061	E	*	7/2016	Kroll	D6/674
RE46,084	E	*	8/2016	Kroll	D6/674
D768,414	S	*	10/2016	Kroll	D20/29
D768,416	S	*	10/2016	Kroll	D20/29

* cited by examiner



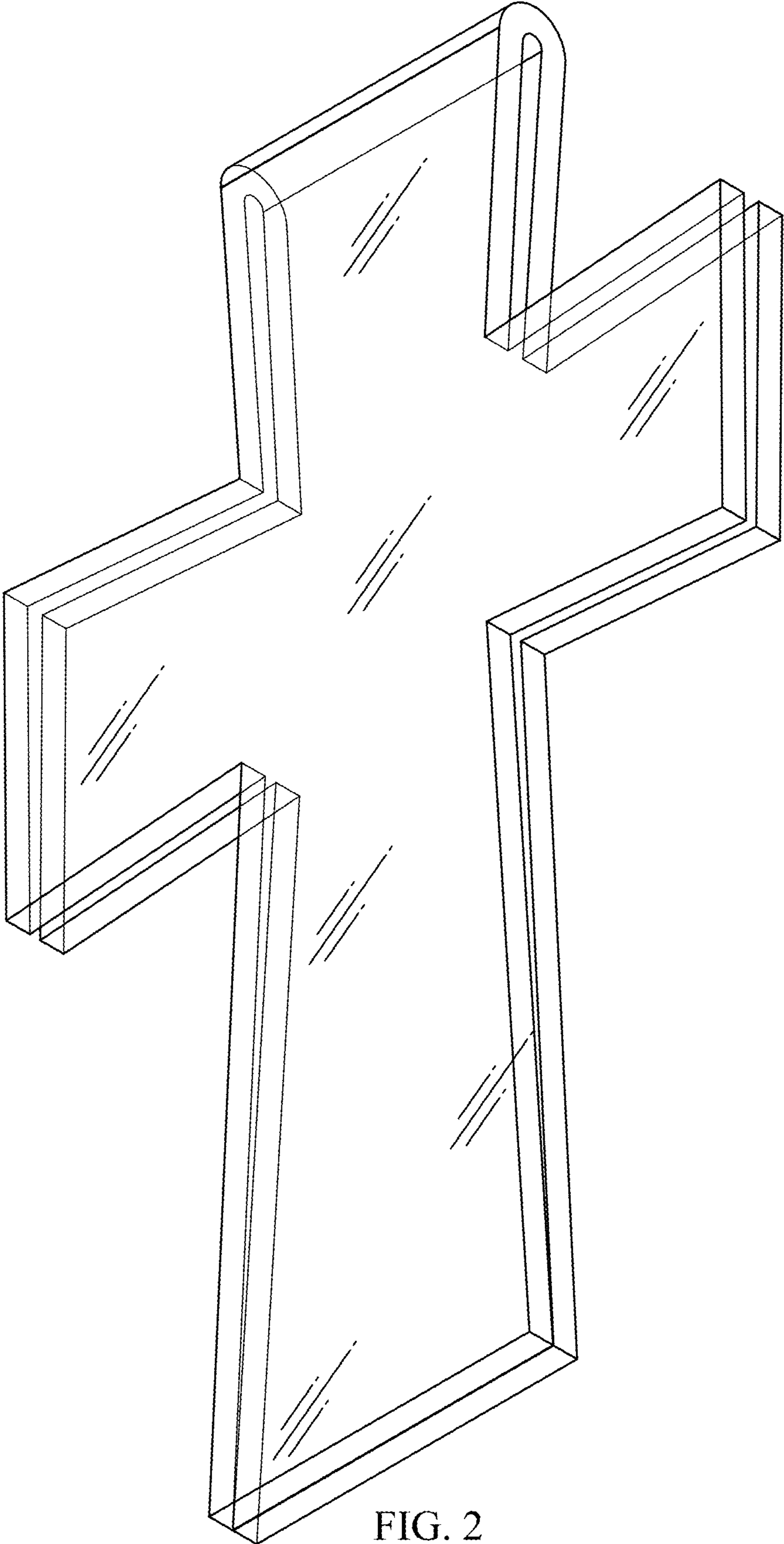


FIG. 2

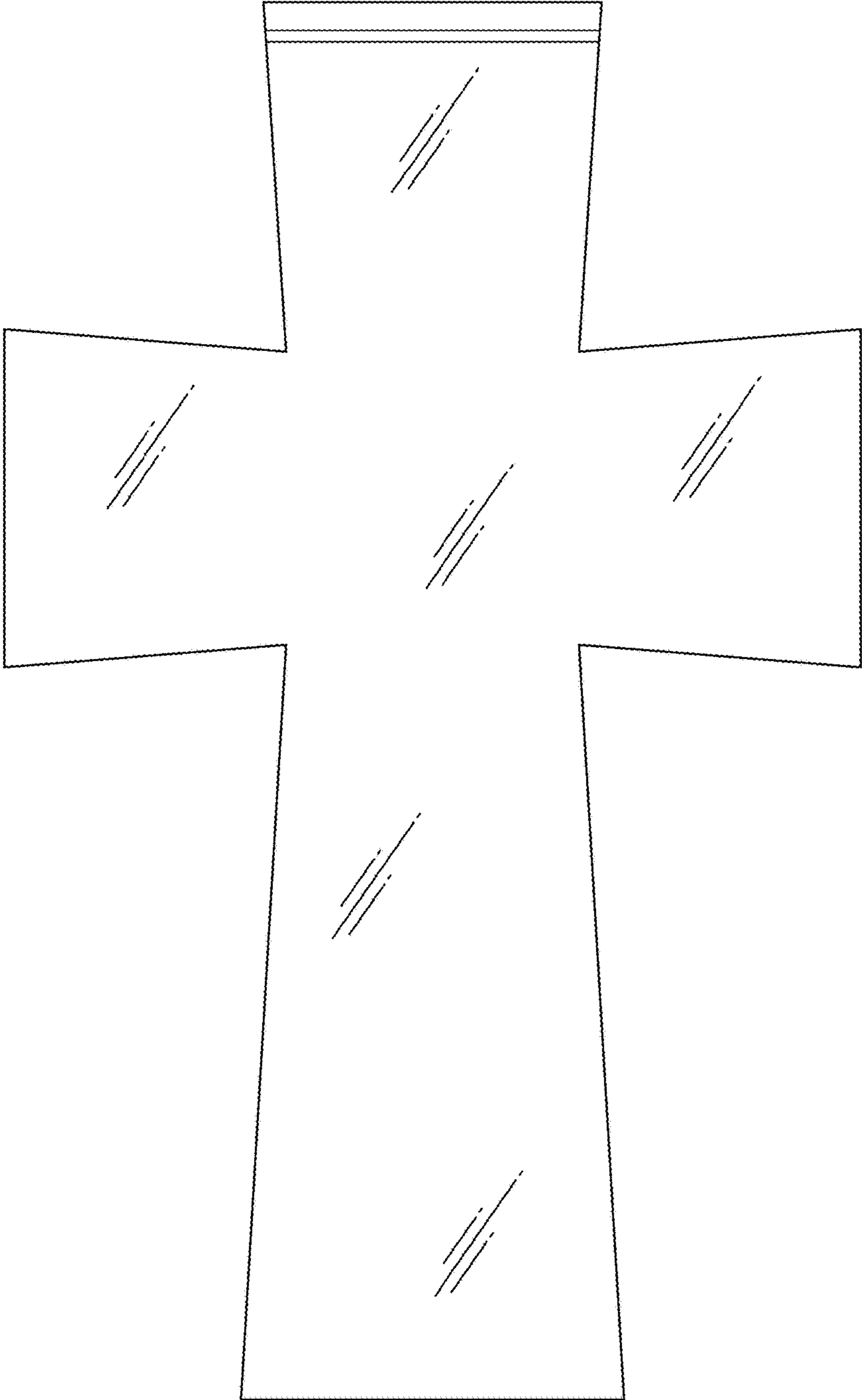


FIG. 3

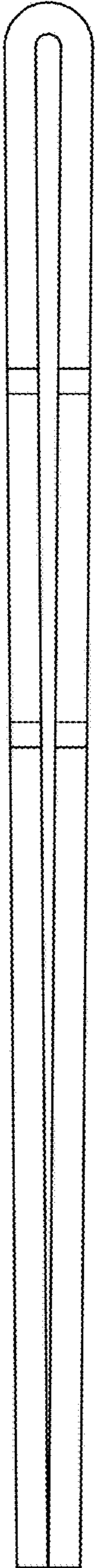


FIG. 4

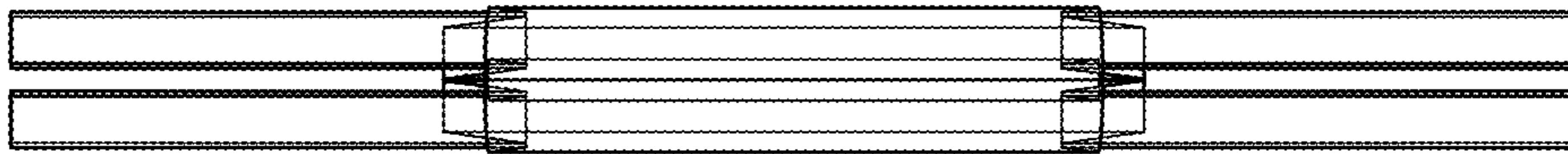


FIG. 5

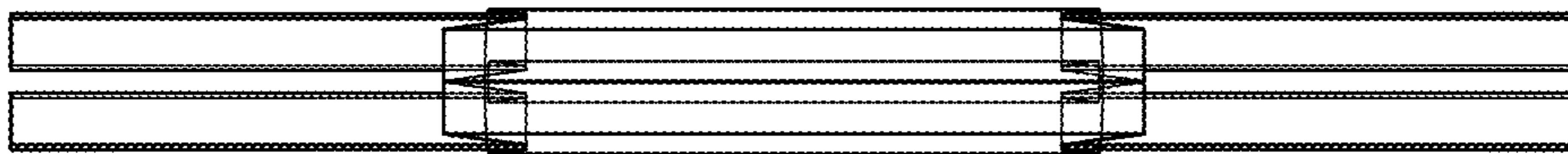
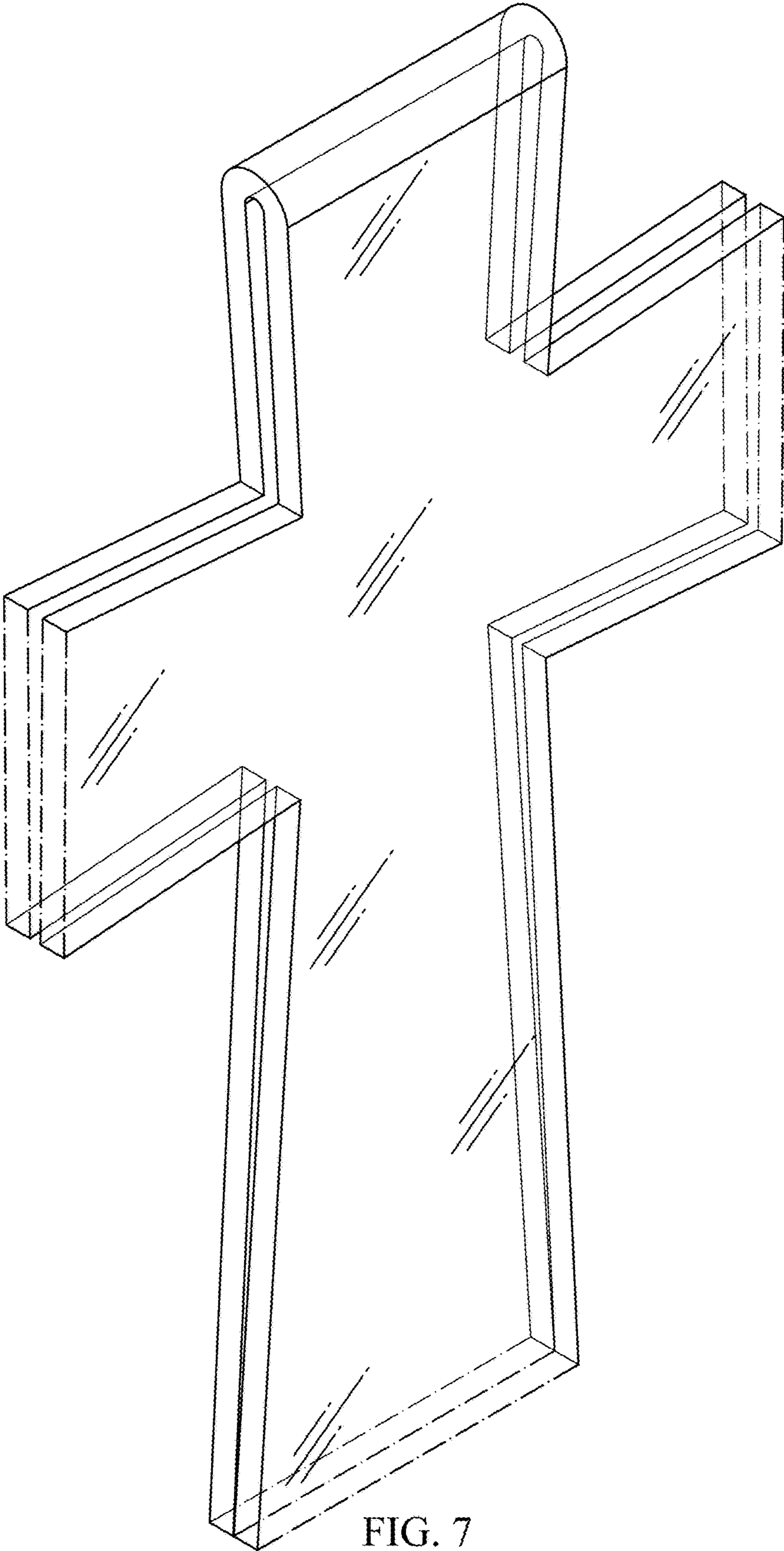
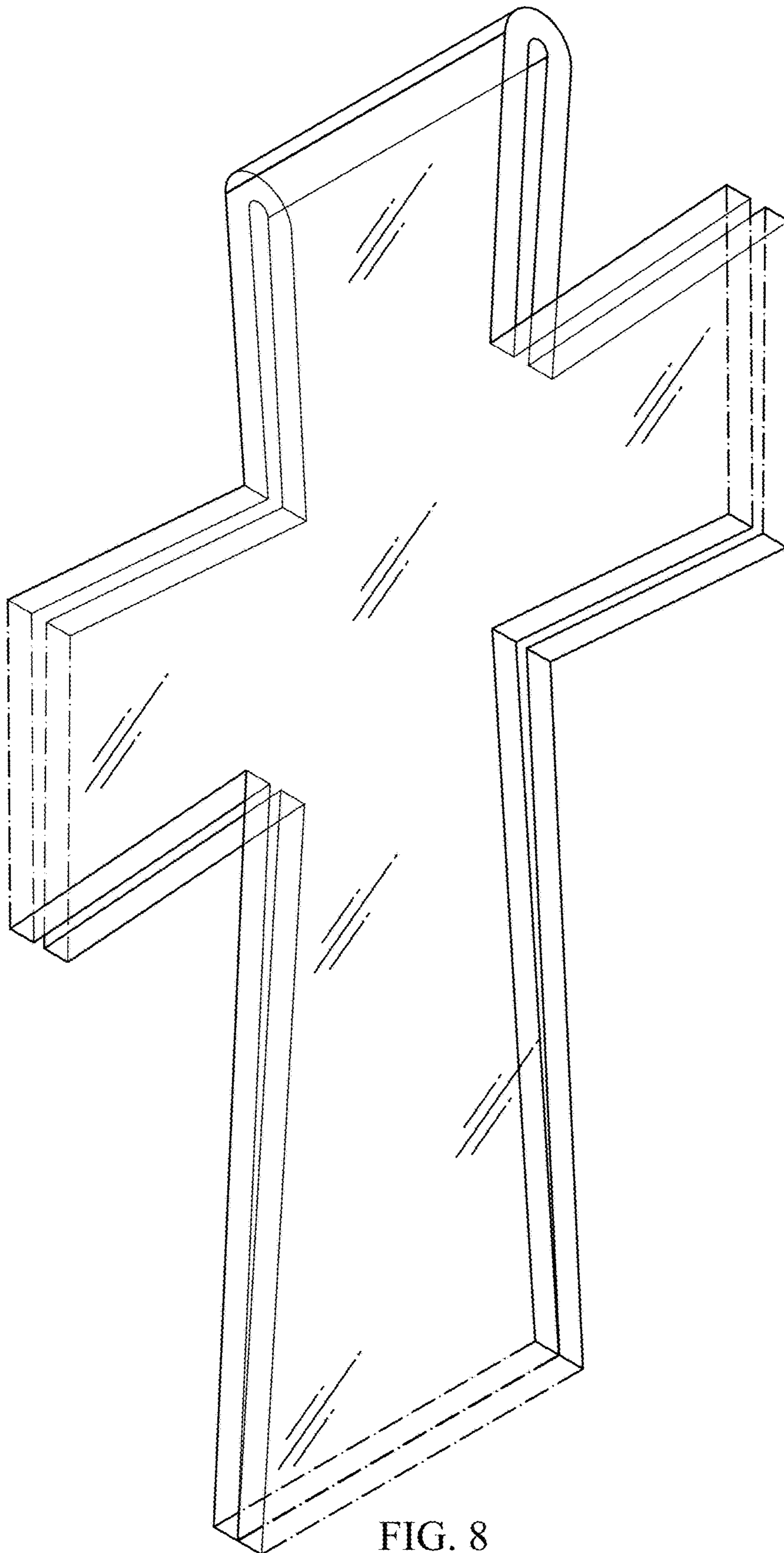


FIG. 6





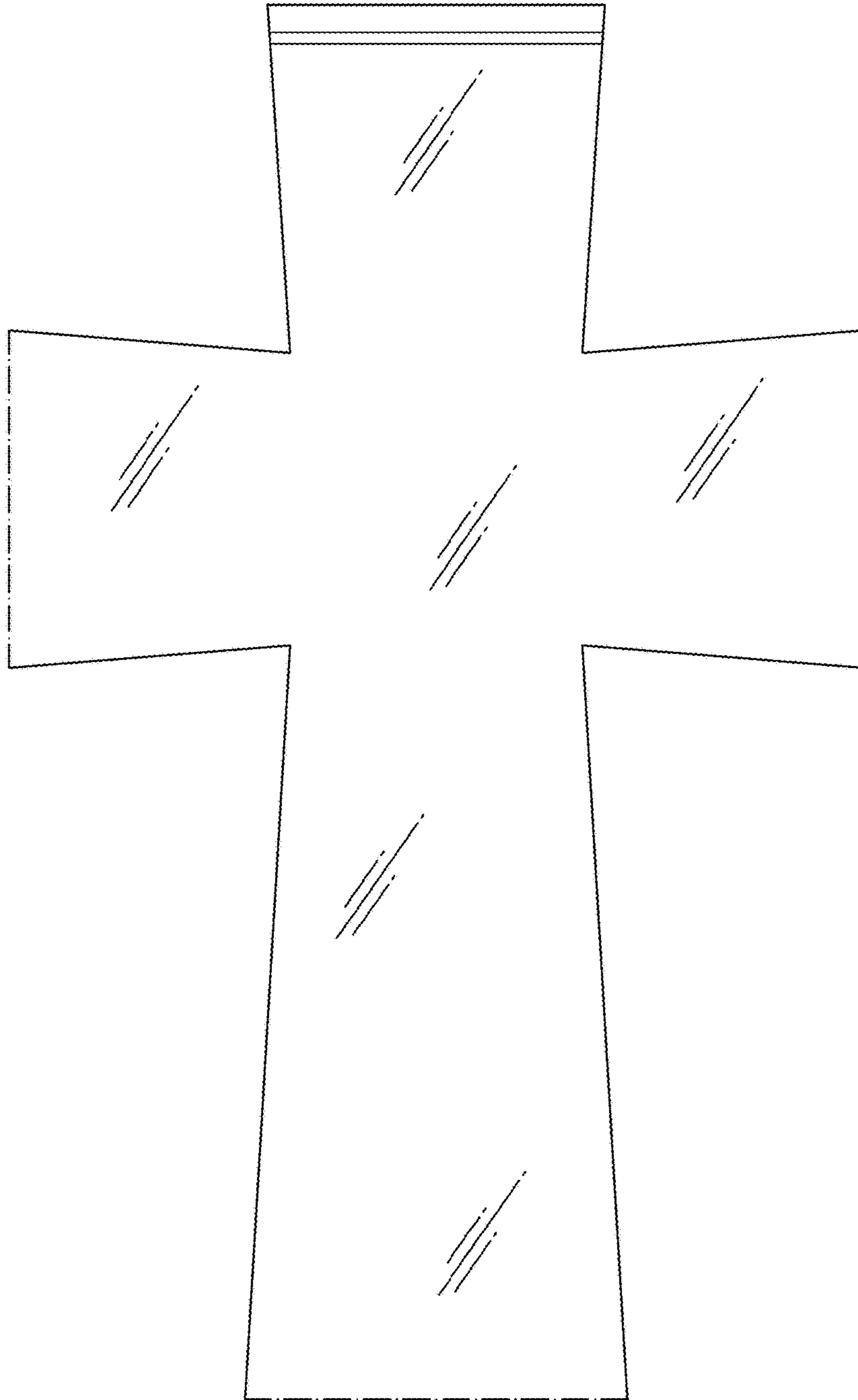


FIG. 9

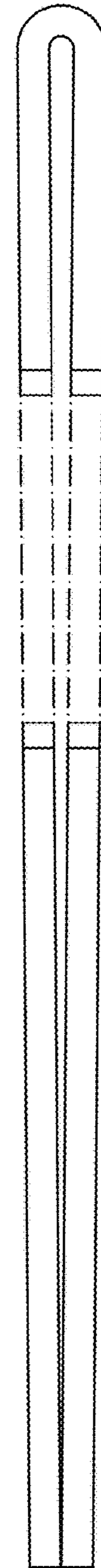


FIG. 10

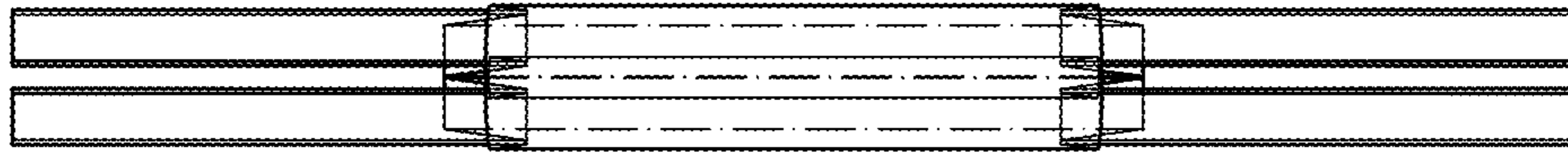


FIG. 11

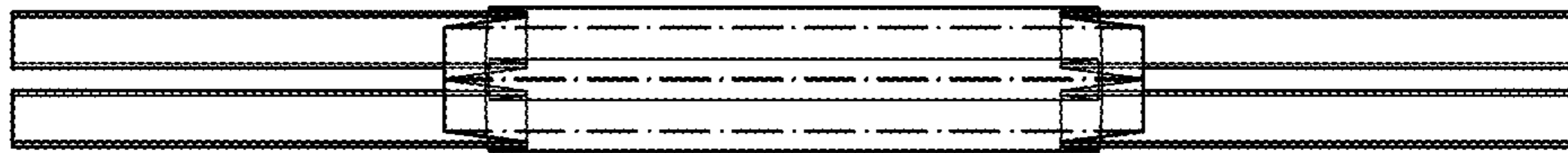
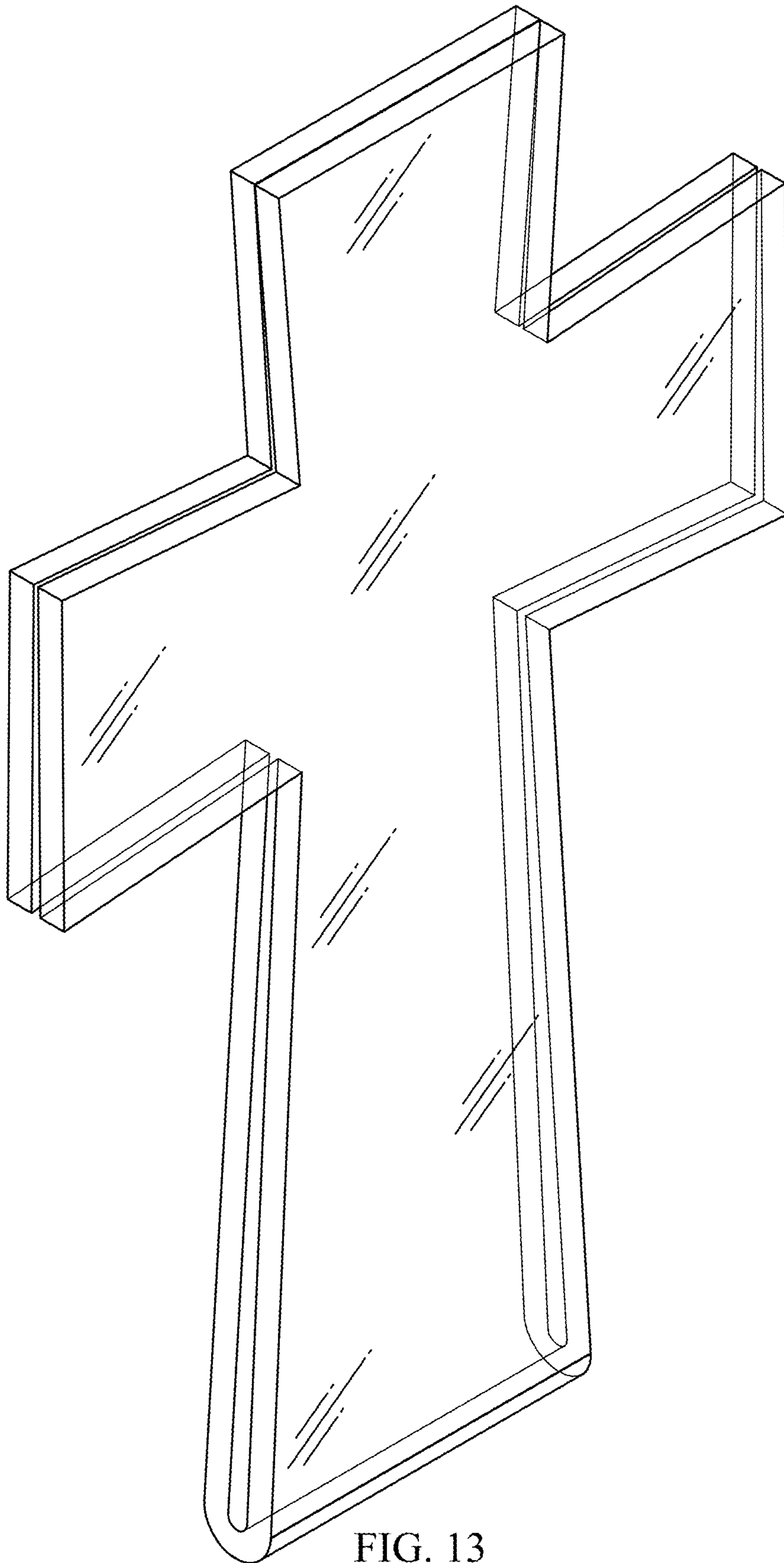
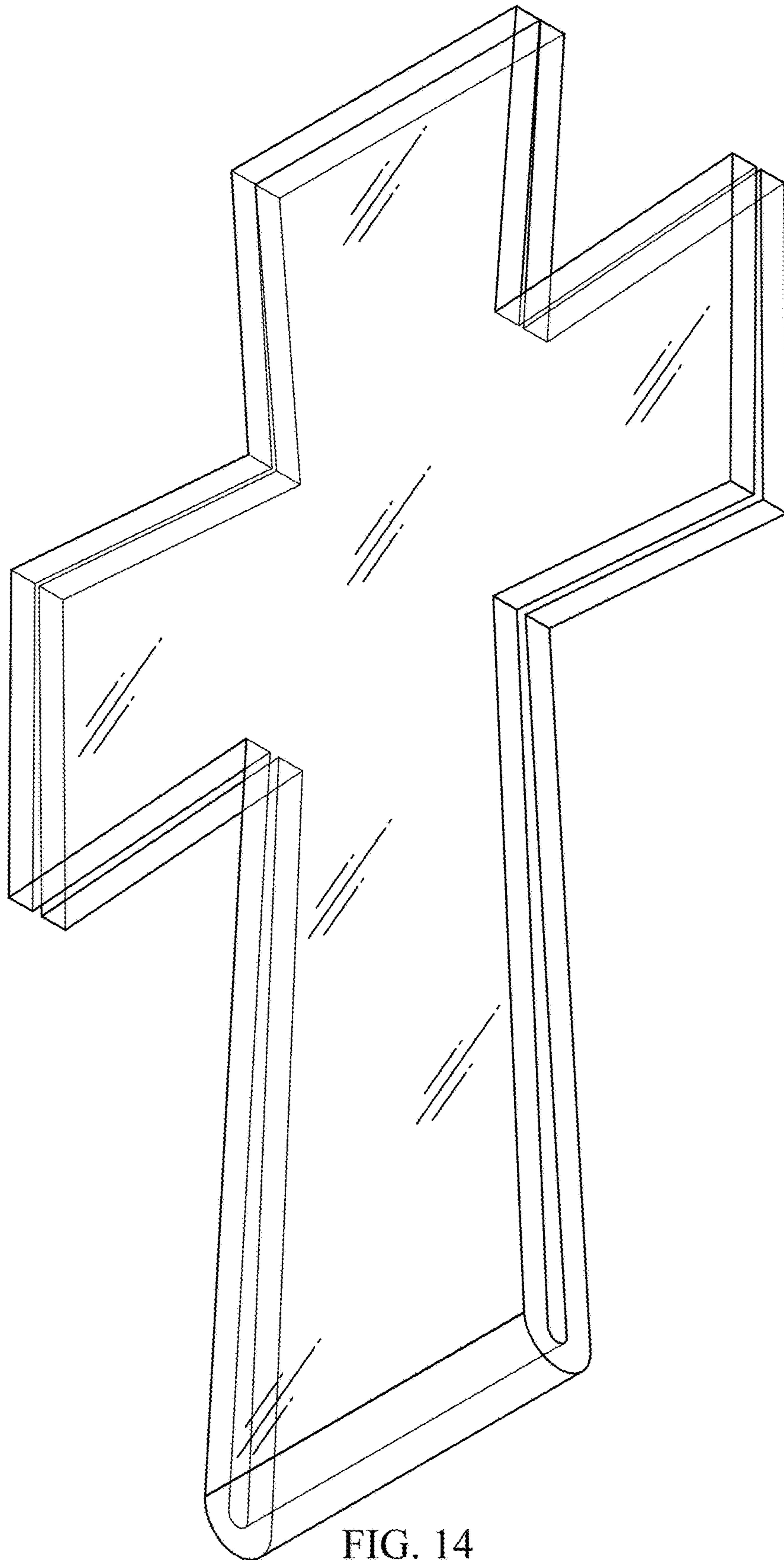


FIG. 12





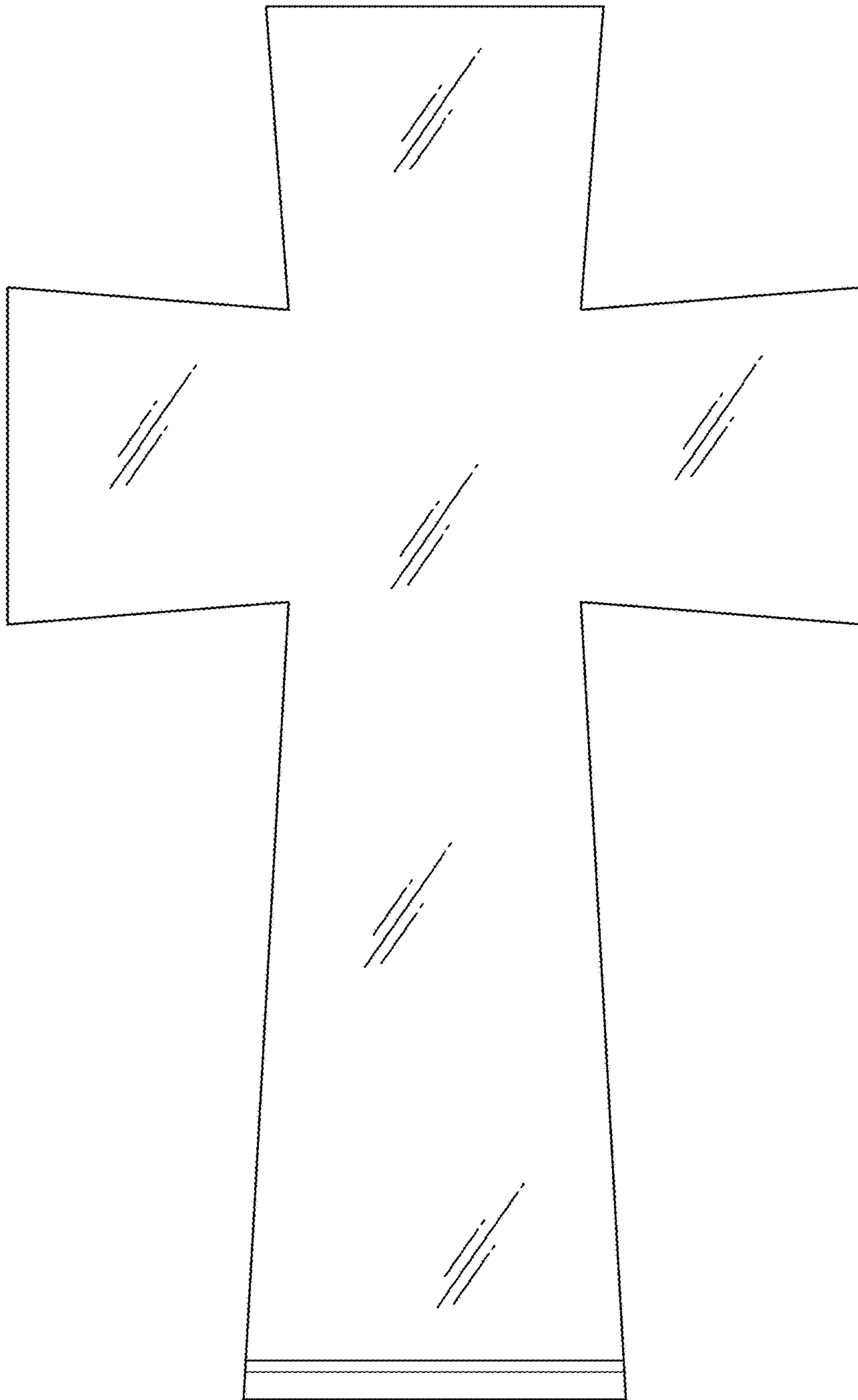


FIG. 15



FIG. 16

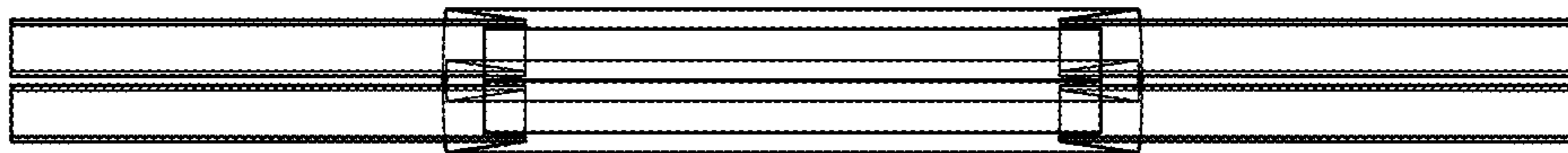


FIG. 17

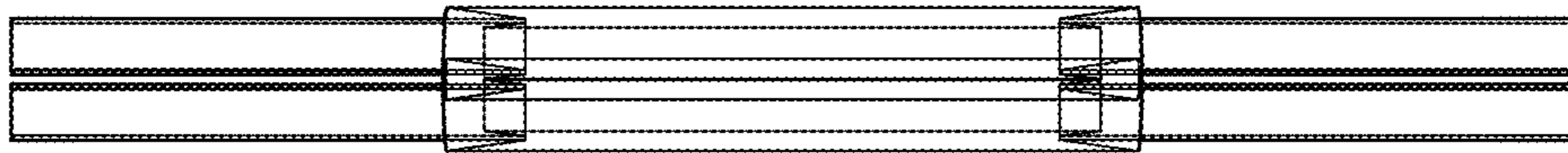
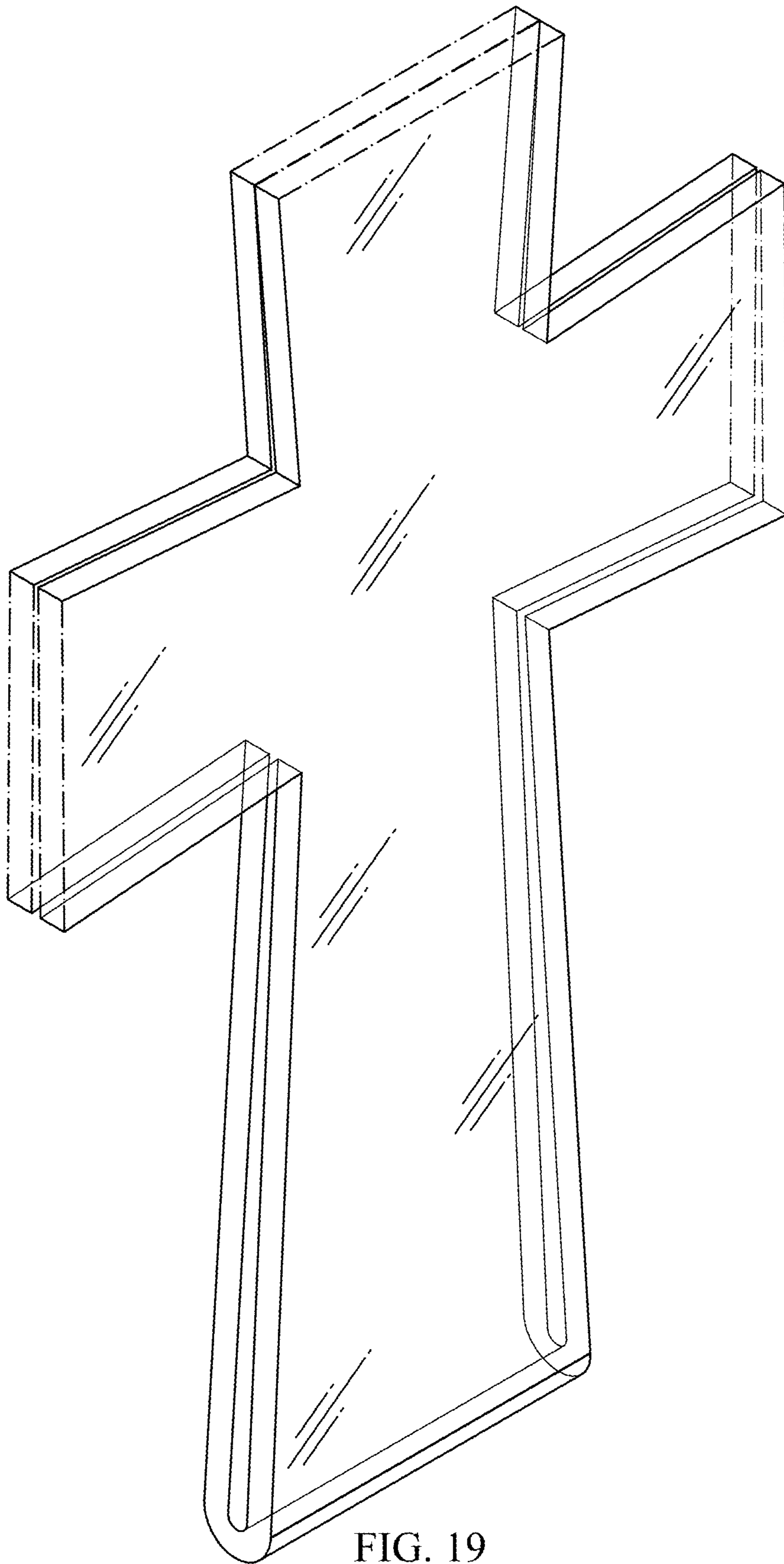


FIG. 18



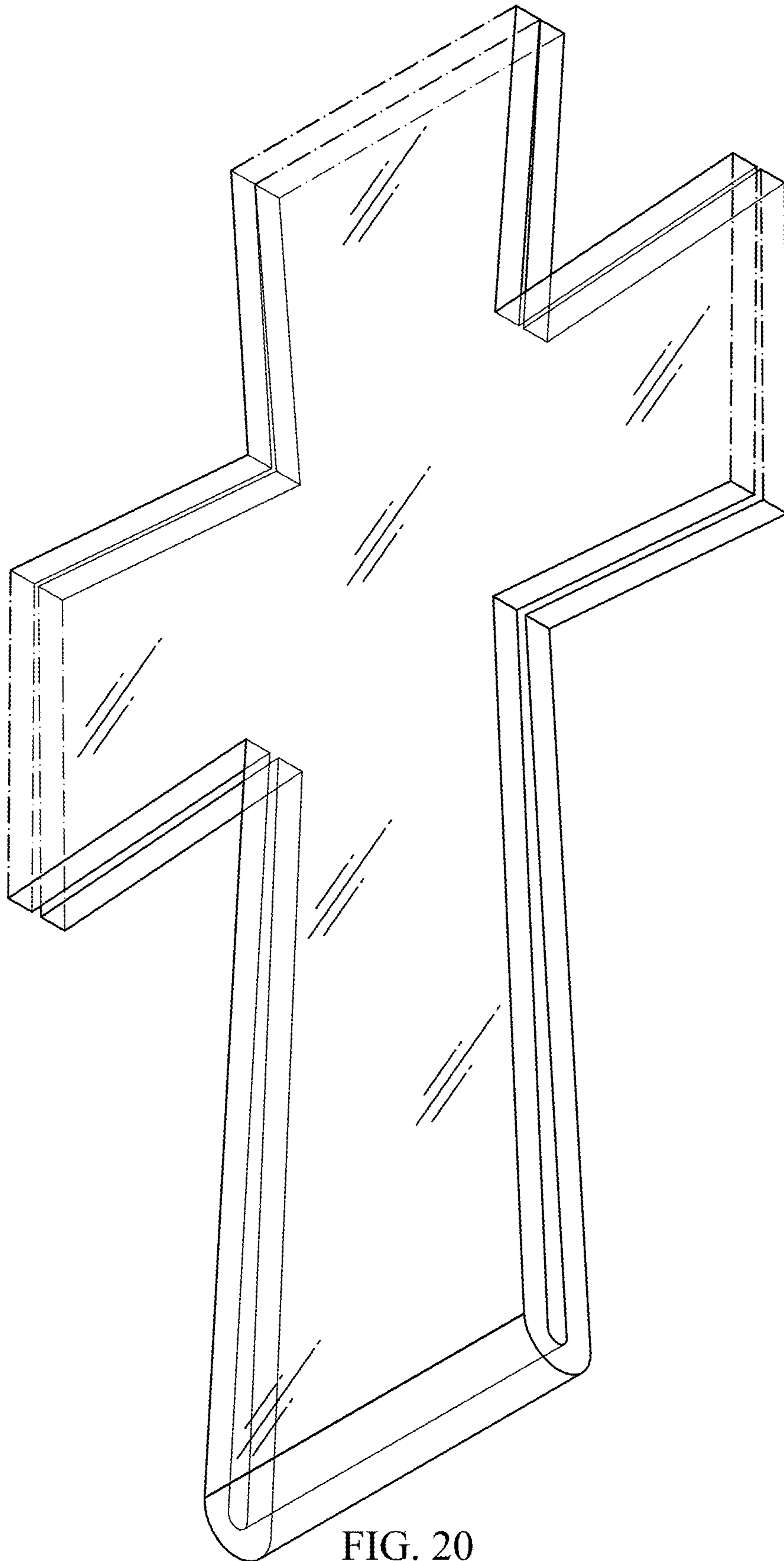


FIG. 20

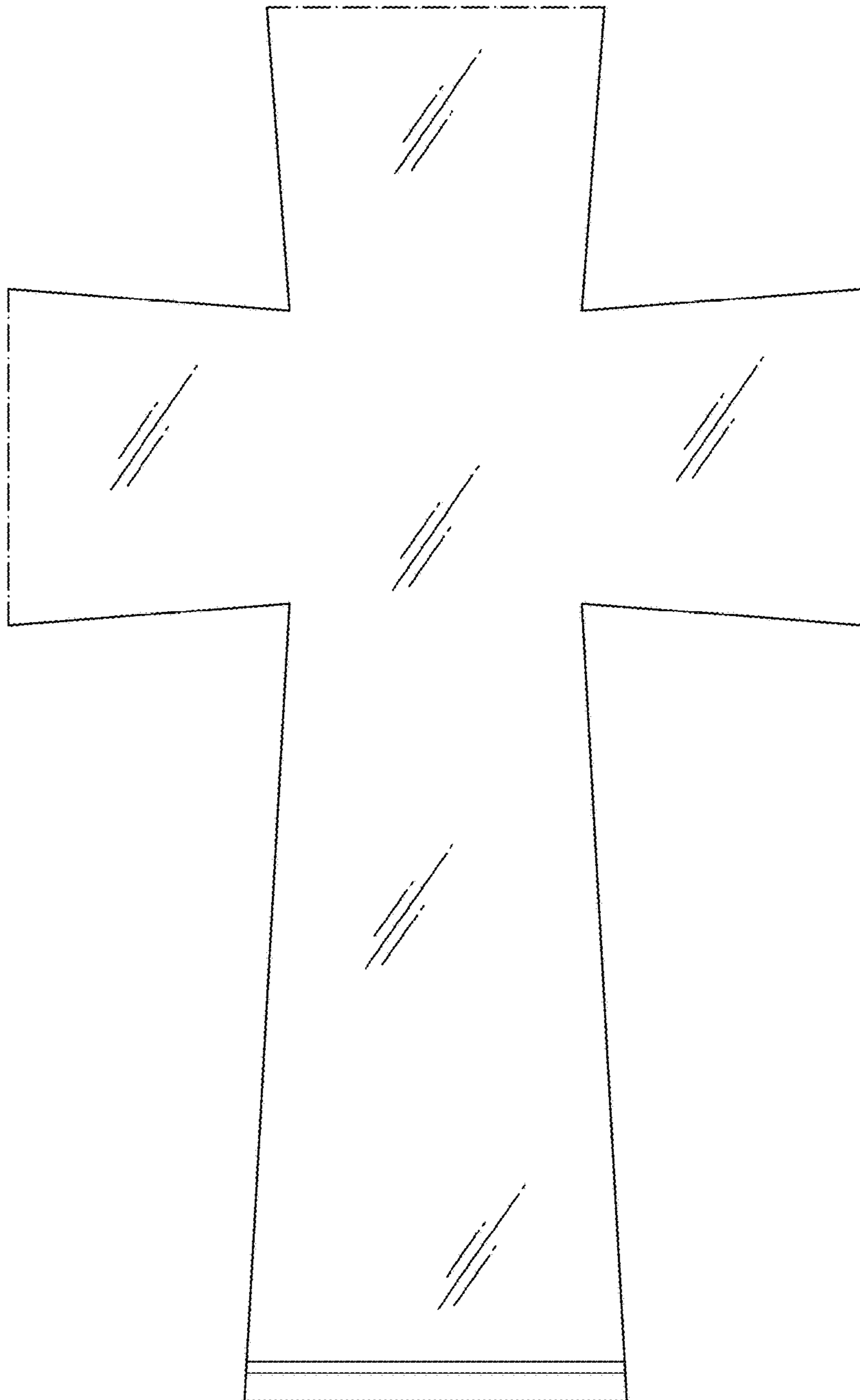


FIG. 21

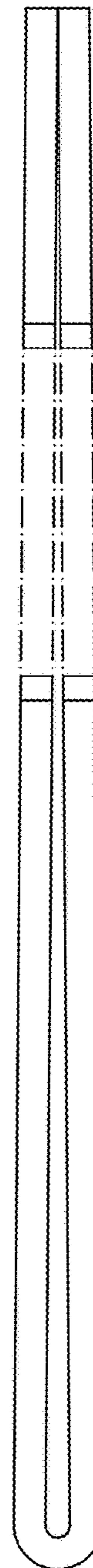


FIG. 22

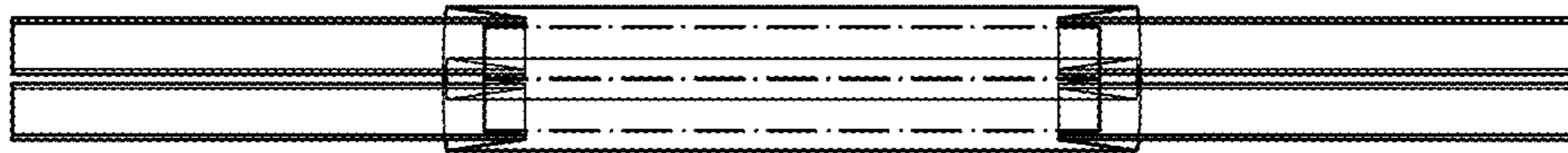


FIG. 23

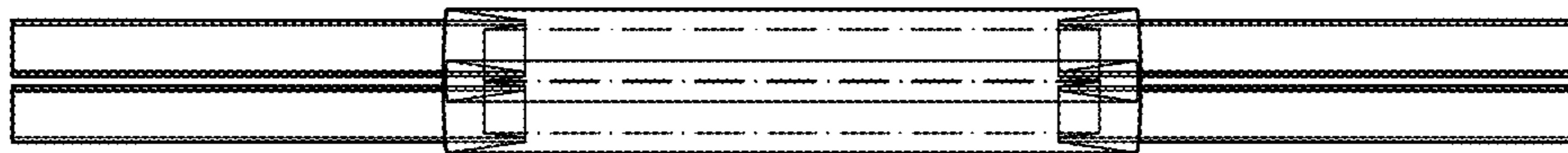


FIG. 24