



US00D784735S

(12) **United States Design Patent**  
**Hirata**

(10) **Patent No.:** **US D784,735 S**

(45) **Date of Patent:** **\*\* Apr. 25, 2017**

(54) **TABLE TOP SHOWCASE**

(71) Applicant: **FUJI ELECTRIC CO., LTD.**,  
Kanagawa (JP)

(72) Inventor: **Masakazu Hirata**, Kanagawa (JP)

(73) Assignees: **FUJI ELECTRIC CO., LTD.**,  
Kanagawa (JP); **SEVEN-ELEVEN**  
**JAPAN CO., LTD.**, Tokyo (JP)

(\*\*) Term: **15 Years**

(21) Appl. No.: **29/527,278**

(22) Filed: **May 18, 2015**

(30) **Foreign Application Priority Data**

Nov. 17, 2014 (JP) ..... 2014-025555

(51) **LOC (10) Cl.** ..... **06-04**

(52) **U.S. Cl.**  
USPC ..... **D6/661.3**

(58) **Field of Classification Search**

USPC ..... D6/657, 659, 660, 661, 661.2, 661.3;  
D15/79, 81

CPC .. A47F 3/00; A47F 3/001; A47F 3/004; A47F  
3/005; A47F 3/007; A47F 2003/008;  
A47F 5/00; A47B 45/00

See application file for complete search history.

(56) **References Cited**

**U.S. PATENT DOCUMENTS**

D198,891 S \* 8/1964 Milstein ..... D6/661.3  
D281,844 S \* 12/1985 Waldeck ..... D6/661.3

D438,404 S \* 3/2001 Topper ..... D6/661.2  
D498,616 S \* 11/2004 Hohler ..... D6/661.3  
D515,595 S \* 2/2006 Jorgensen ..... D15/81  
D540,354 S \* 4/2007 Rousselin ..... D15/81  
D585,911 S \* 2/2009 Miyabayashi ..... D15/79  
D589,536 S \* 3/2009 Seki ..... D15/81  
D594,254 S \* 6/2009 Mori ..... D6/661  
D662,114 S \* 6/2012 Deproost ..... D15/81

\* cited by examiner

*Primary Examiner* — Mimoso De

(74) *Attorney, Agent, or Firm* — Young & Thompson

(57) **CLAIM**

The ornamental design for a table top showcase, as shown and described.

**DESCRIPTION**

FIG. 1 is a front perspective view of a table top showcase showing my new design;

FIG. 2 is a rear perspective view thereof;

FIG. 3 is a front view thereof;

FIG. 4 is a rear view thereof;

FIG. 5 is a left side view thereof;

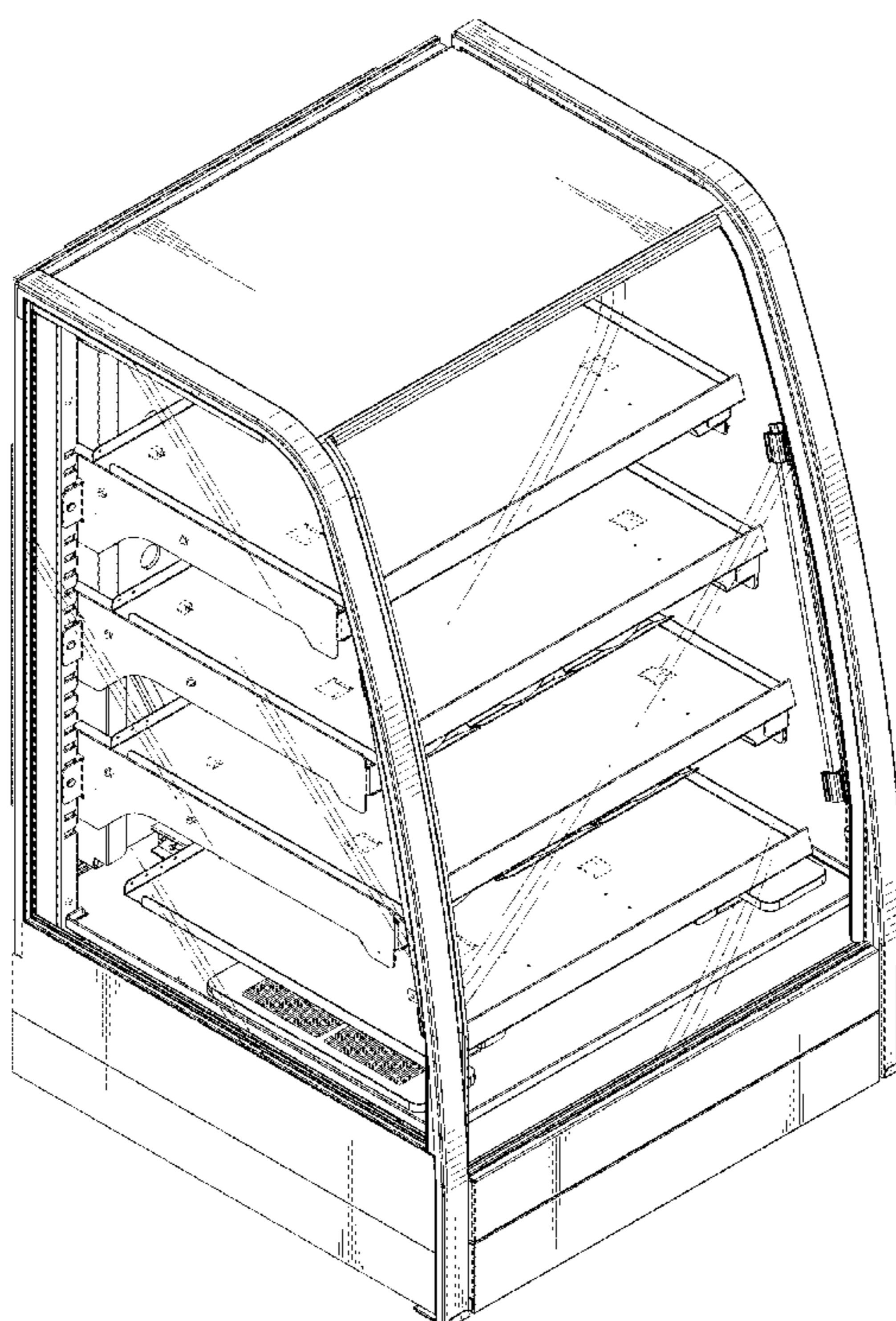
FIG. 6 is a right side view thereof;

FIG. 7 is a top view thereof; and,

FIG. 8 is a bottom view thereof.

The portions of the design shown in broken lines show unclaimed subject matter.

**1 Claim, 8 Drawing Sheets**





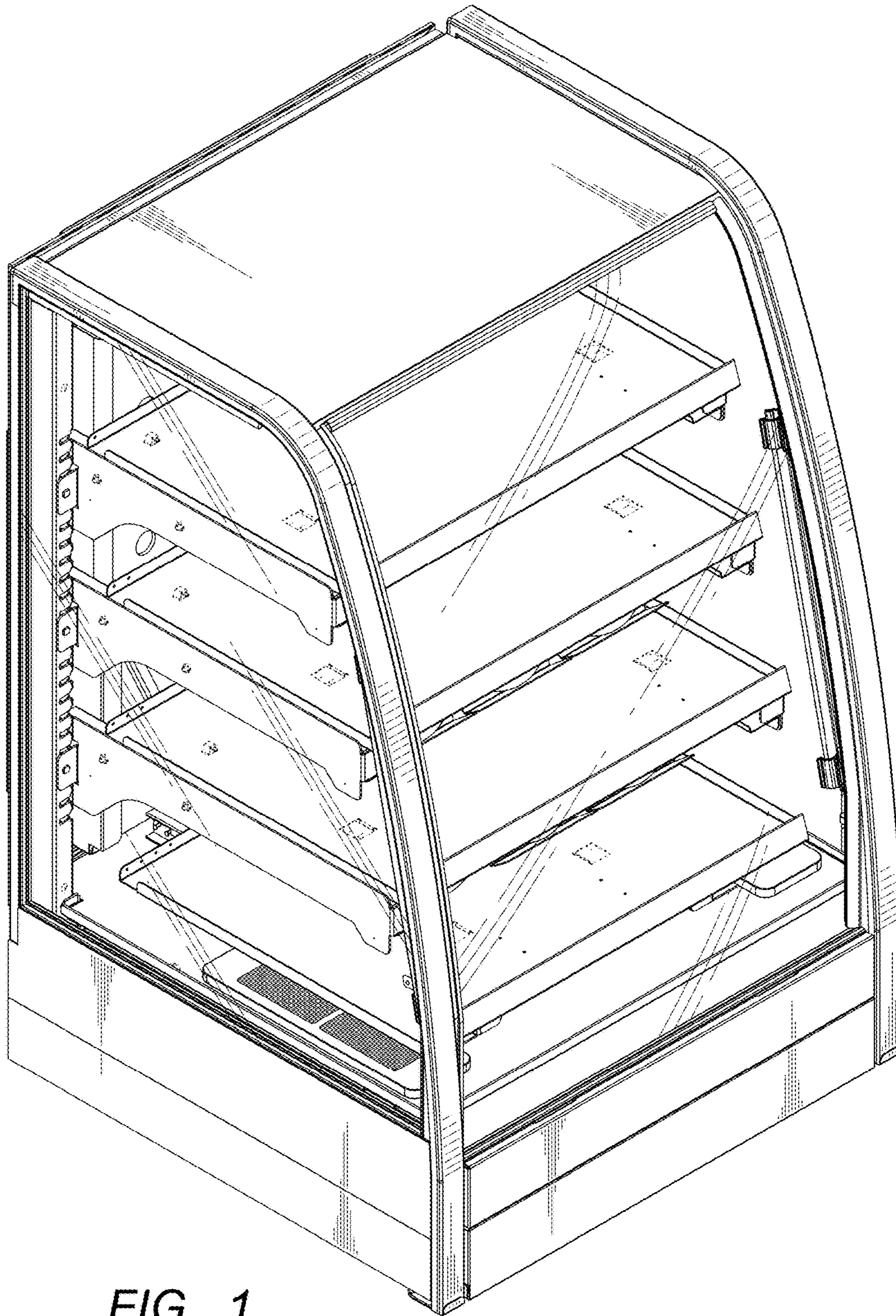


FIG. 1



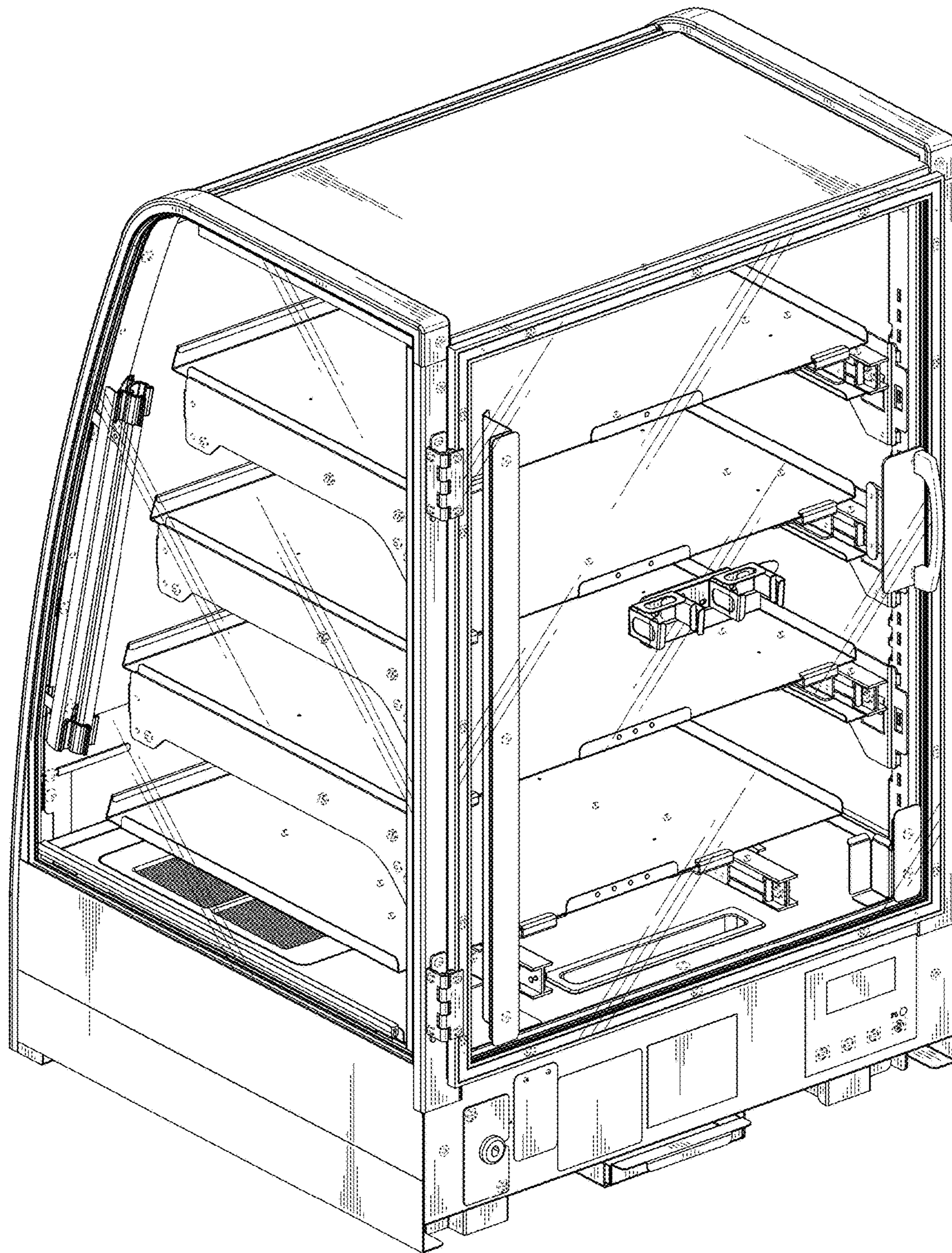


FIG. 2

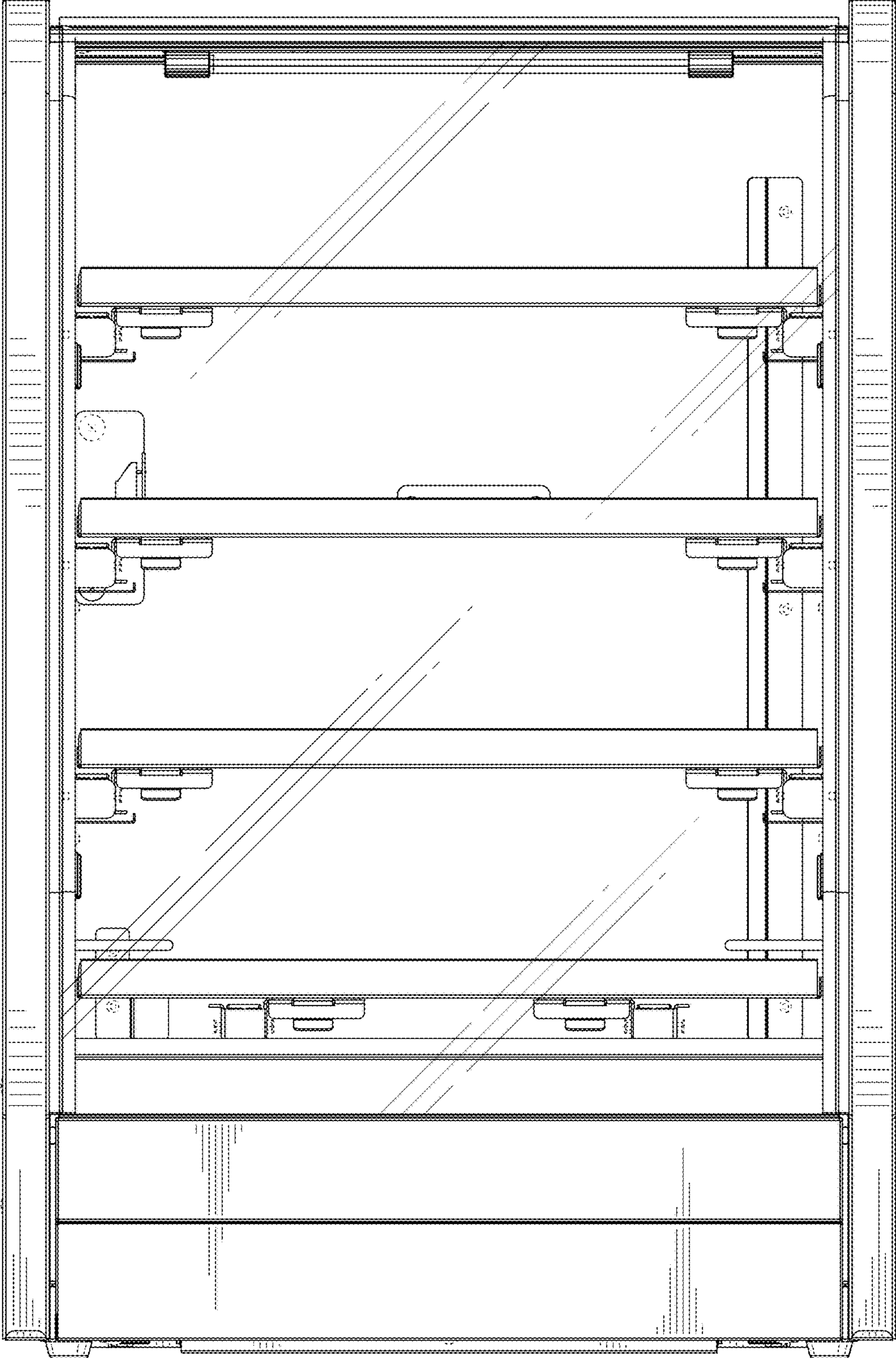


FIG. 3



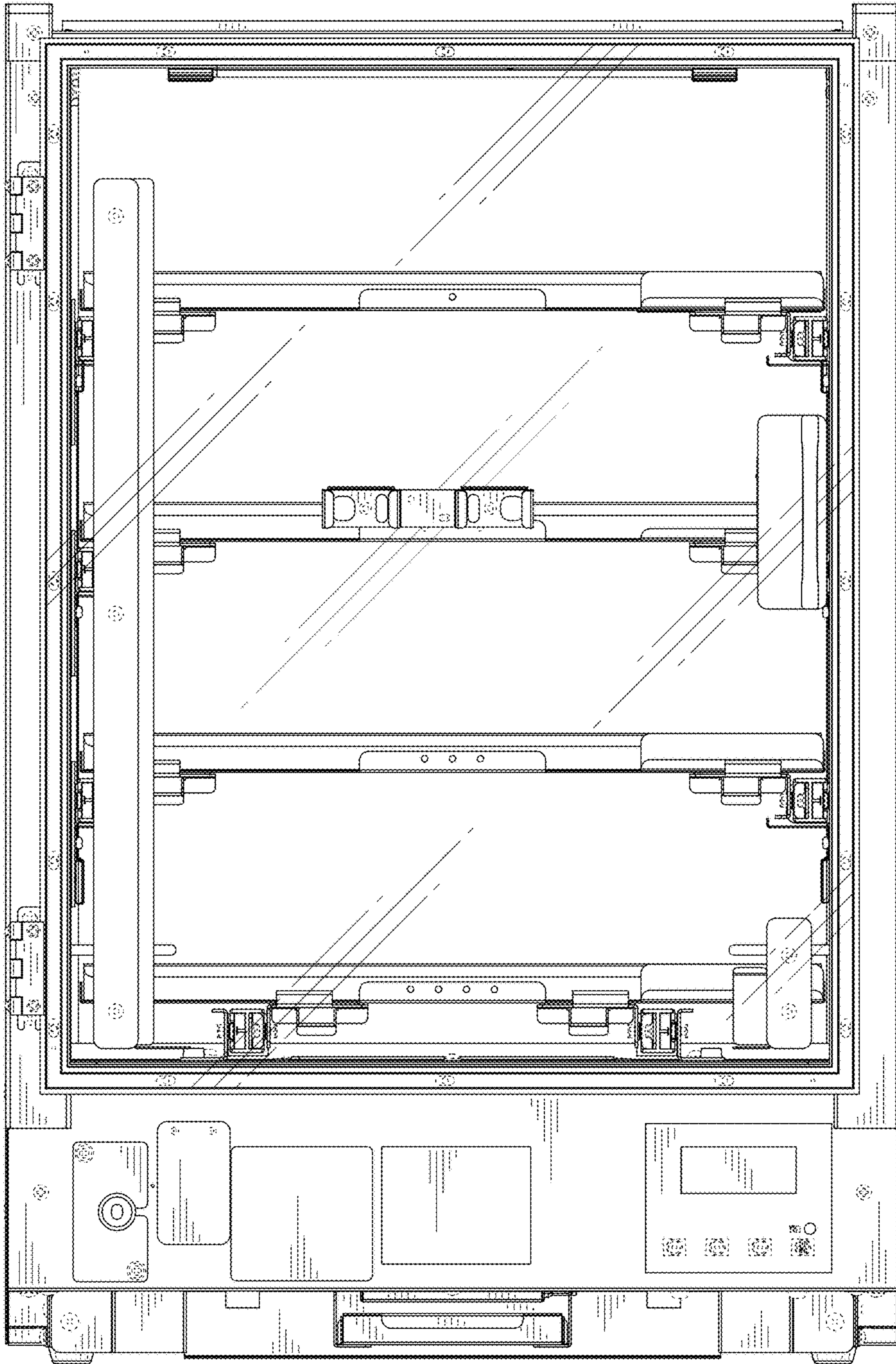


FIG. 4

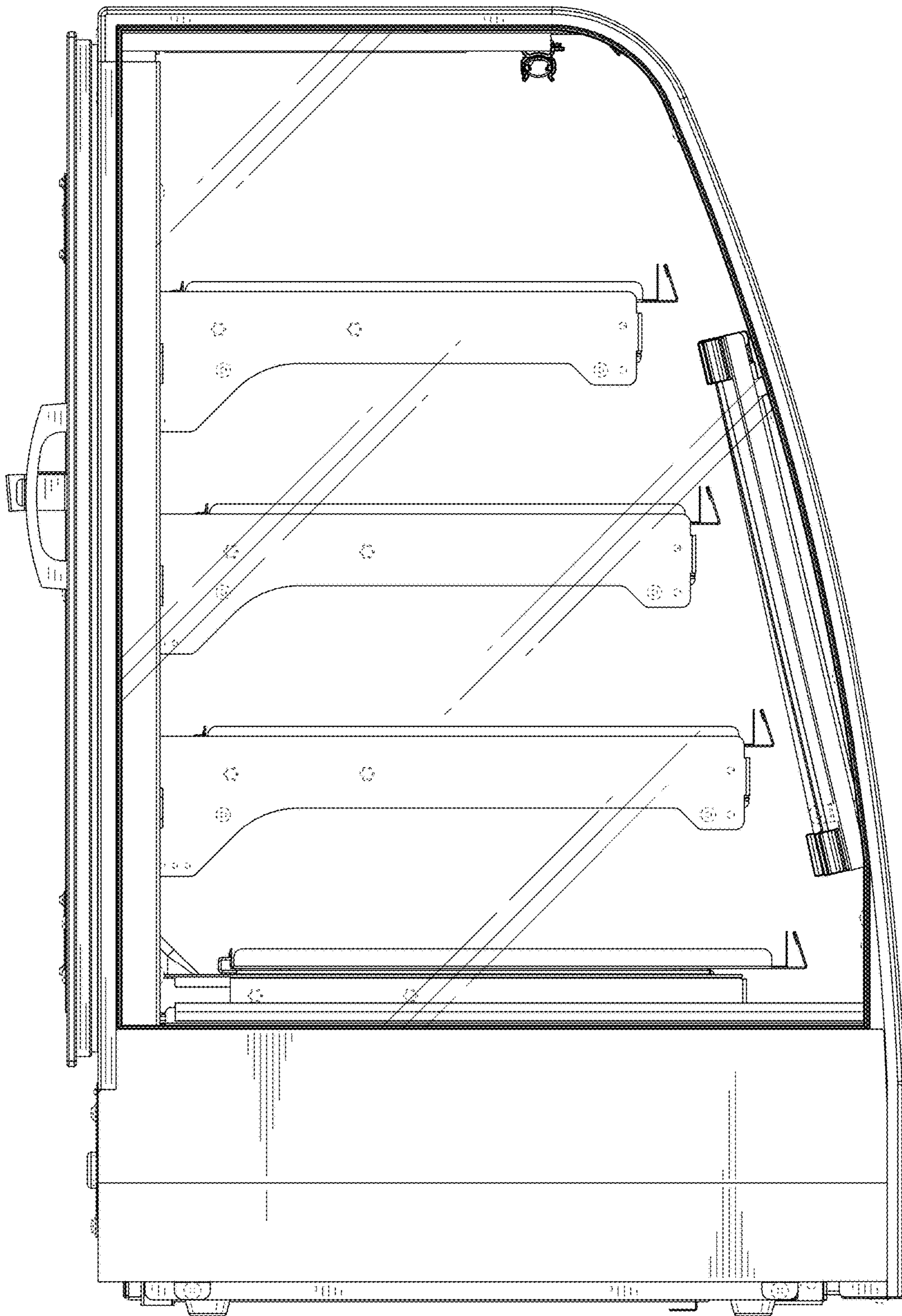


FIG. 5



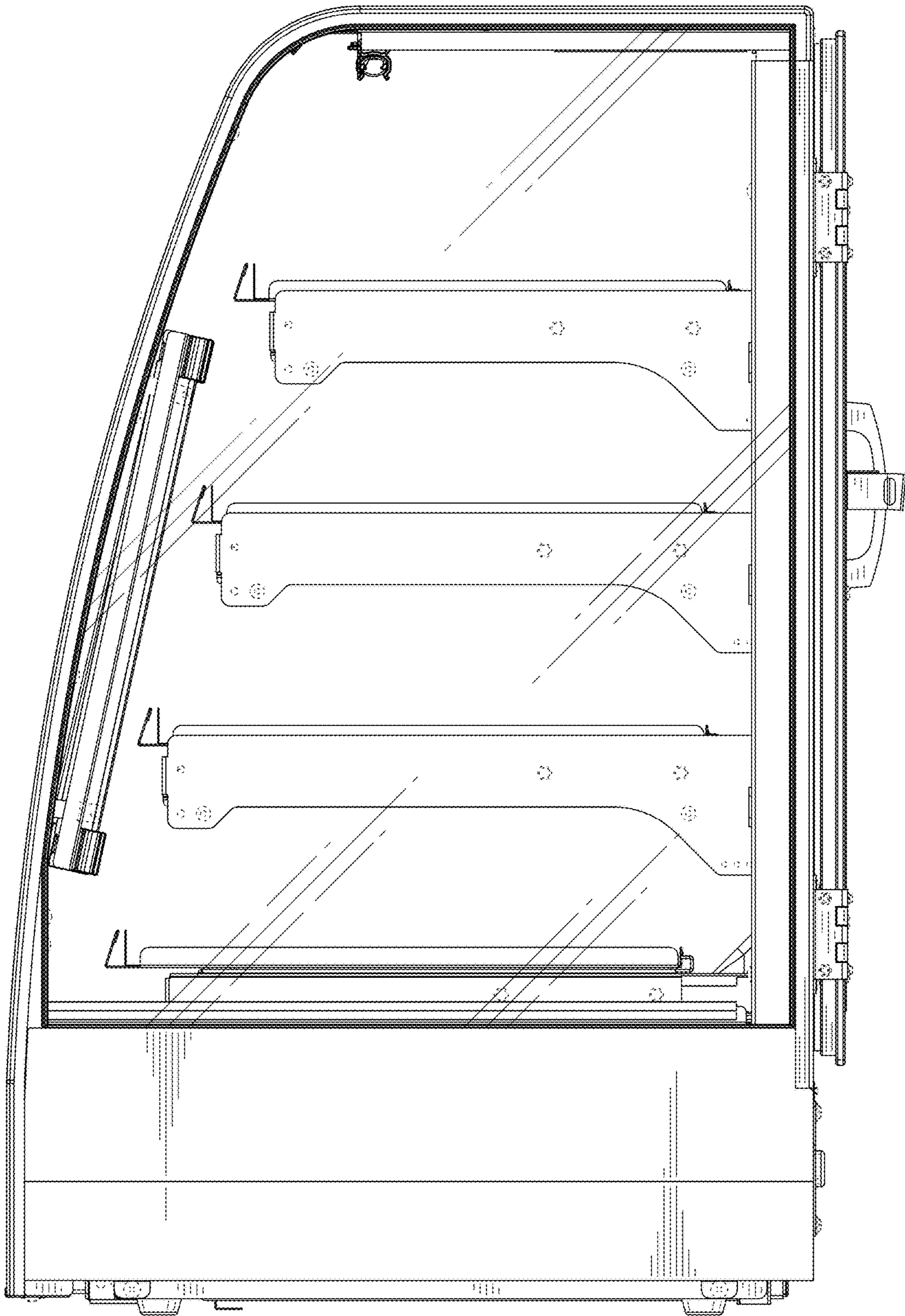


FIG. 6

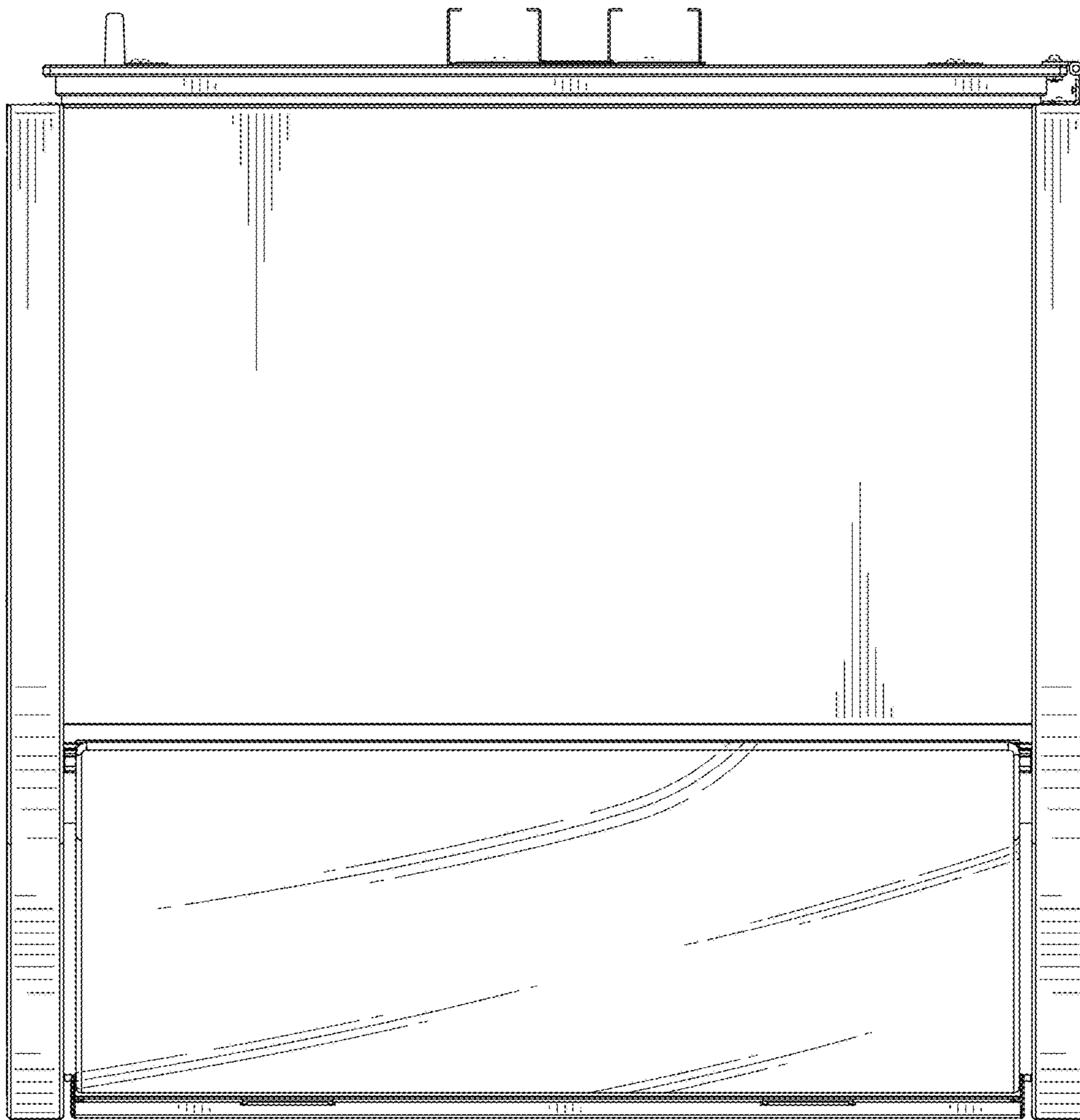


FIG. 7



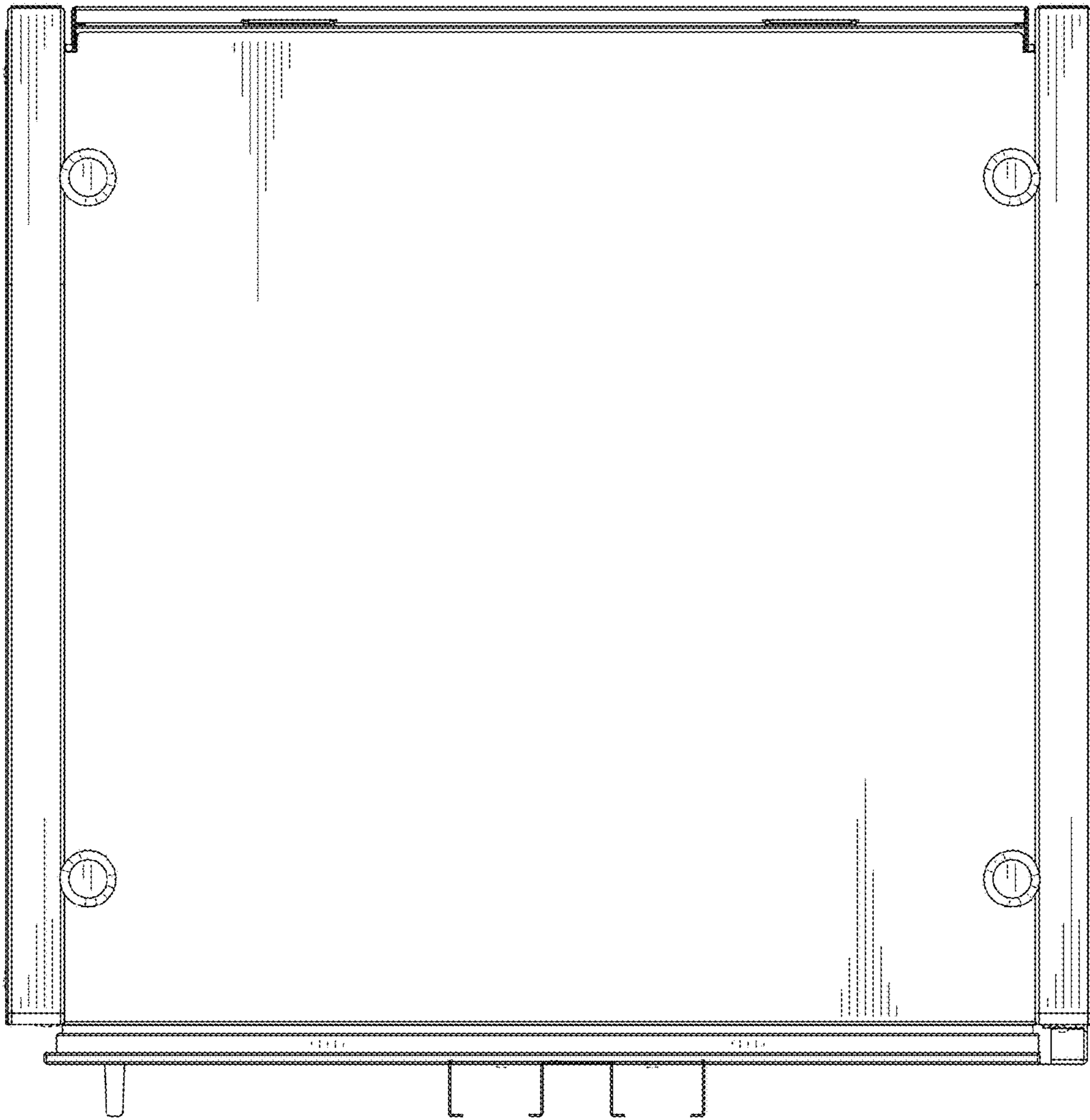


FIG. 8