



US00D784734S

(12) **United States Design Patent**  
**Weyts**

(10) **Patent No.:** **US D784,734 S**

(45) **Date of Patent:** **\*\* Apr. 25, 2017**

(54) **DESK WITH LEATHER PORTIONS**

(71) Applicant: **Alexander M. Weyts**, Bruges (BE)

(72) Inventor: **Alexander M. Weyts**, Bruges (BE)

(\*\*) Term: **14 Years**

(21) Appl. No.: **29/508,053**

(22) Filed: **Nov. 3, 2014**

(51) **LOC (10) Cl.** ..... **06-03**

(52) **U.S. Cl.**  
USPC ..... **D6/655.1**

(58) **Field of Classification Search**  
USPC ..... D6/641, 651, 652, 653, 653.17, 656.1,  
D6/705, 705.2, 707.7

CPC ..... A47B 13/00; A47B 13/02; A47B 13/08;  
A47B 13/003; A47B 21/00; A47B  
21/0073

See application file for complete search history.

(56) **References Cited**

**U.S. PATENT DOCUMENTS**

D46,815 S *	1/1915	Fisher et al.	.....	D6/651
D241,898 S	10/1976	Moll		
4,326,760 A *	4/1982	Ziegelheim	.....	A47B 13/003 108/131
4,669,789 A *	6/1987	Pemberton	.....	A47B 21/0073 312/194
6,022,087 A *	2/2000	Gilbert	.....	A47B 21/00 312/194
D446,404 S	8/2001	Hall et al.		
D505,566 S	5/2005	Juneau et al.		

D546,503 S *	7/2007	Kreiss	.....	D6/653
D546,504 S	7/2007	Good		
D588,831 S *	3/2009	Mohundro	.....	D6/642
D668,473 S	10/2012	Sofield		
D735,498 S *	8/2015	Dworman	.....	D6/651

\* cited by examiner

*Primary Examiner* — Mary Ann Calabrese

(74) *Attorney, Agent, or Firm* — Cooper & Dunham LLP

(57) **CLAIM**

I claim the ornamental design for desk with leather portions, as shown and described.

**DESCRIPTION**

FIG. 1 is a front perspective view of the desk with leather portions of the claimed design. In the drawings, leather portions of the desk are indicated by groups of intersecting lines and other portions of the desk are indicated by groups of parallel lines;

FIG. 2 is a back perspective view thereof;

FIG. 3 is a right side view thereof;

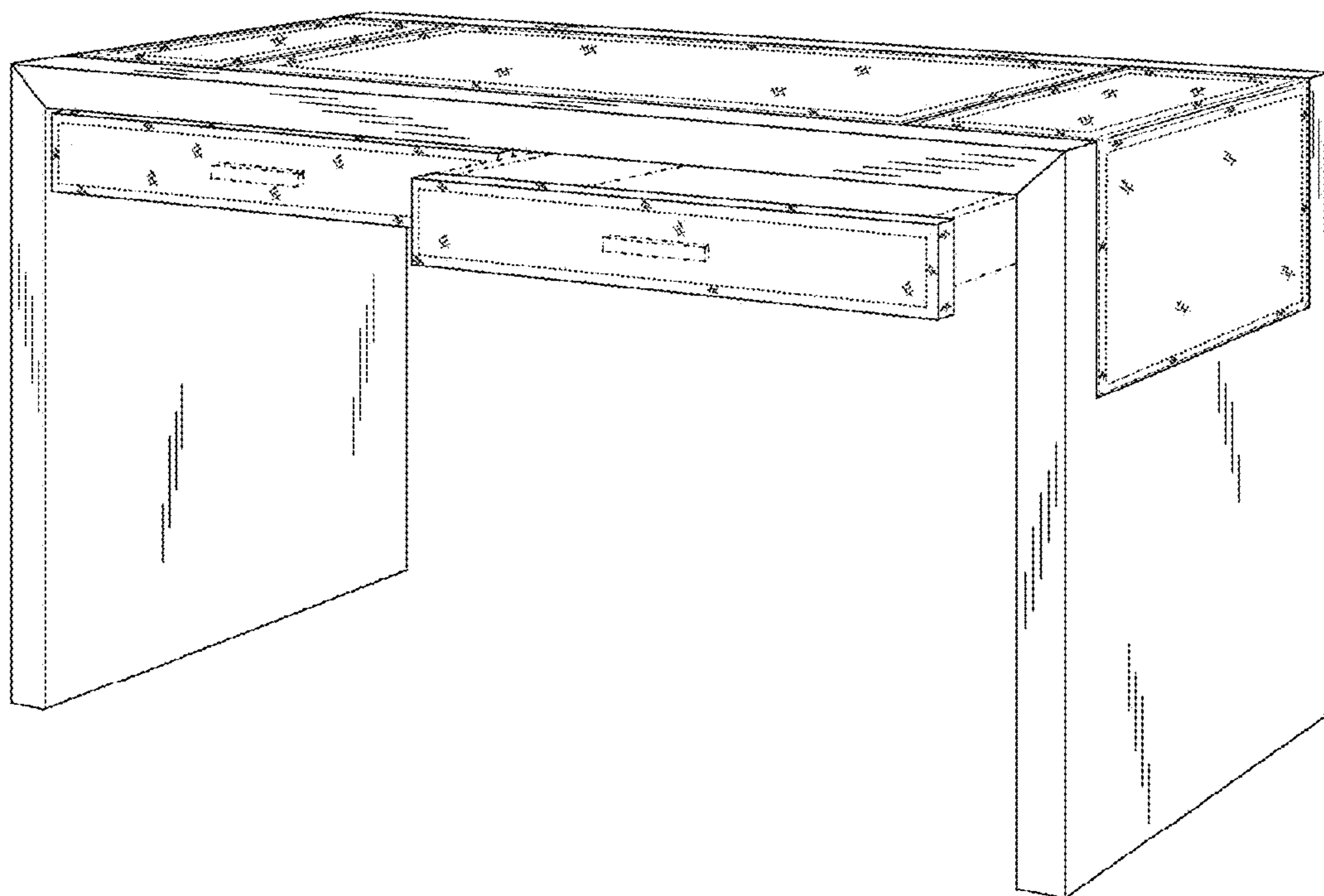
FIG. 4 is a left side view thereof;

FIG. 5 is a top view thereof; and,

FIG. 6 is a back view thereof.

The dot-dash broken lines represent portions of the desk that form no part of the claimed design. The short evenly spaced broken lines represent stitching.

**1 Claim, 6 Drawing Sheets**



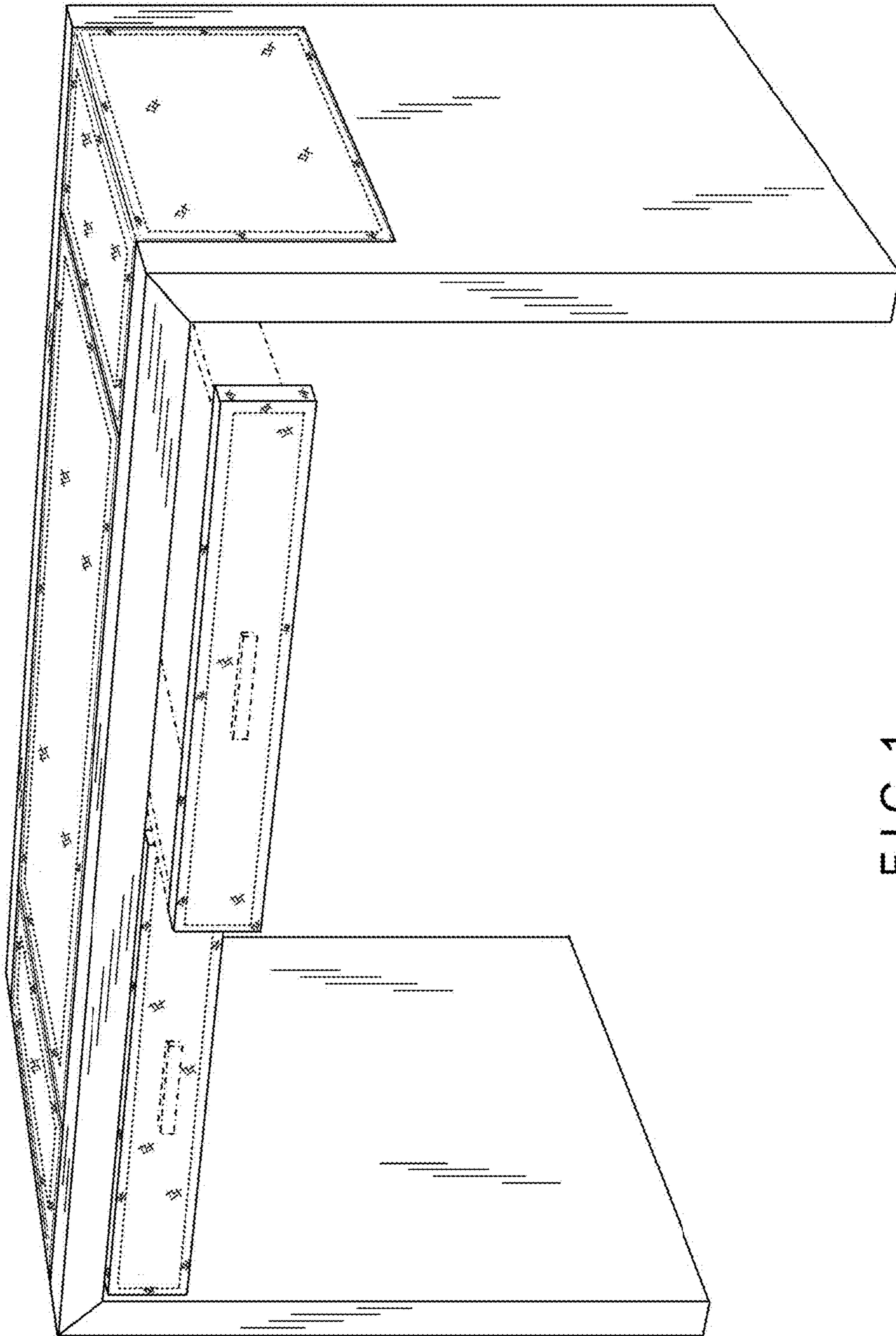


FIG. 1

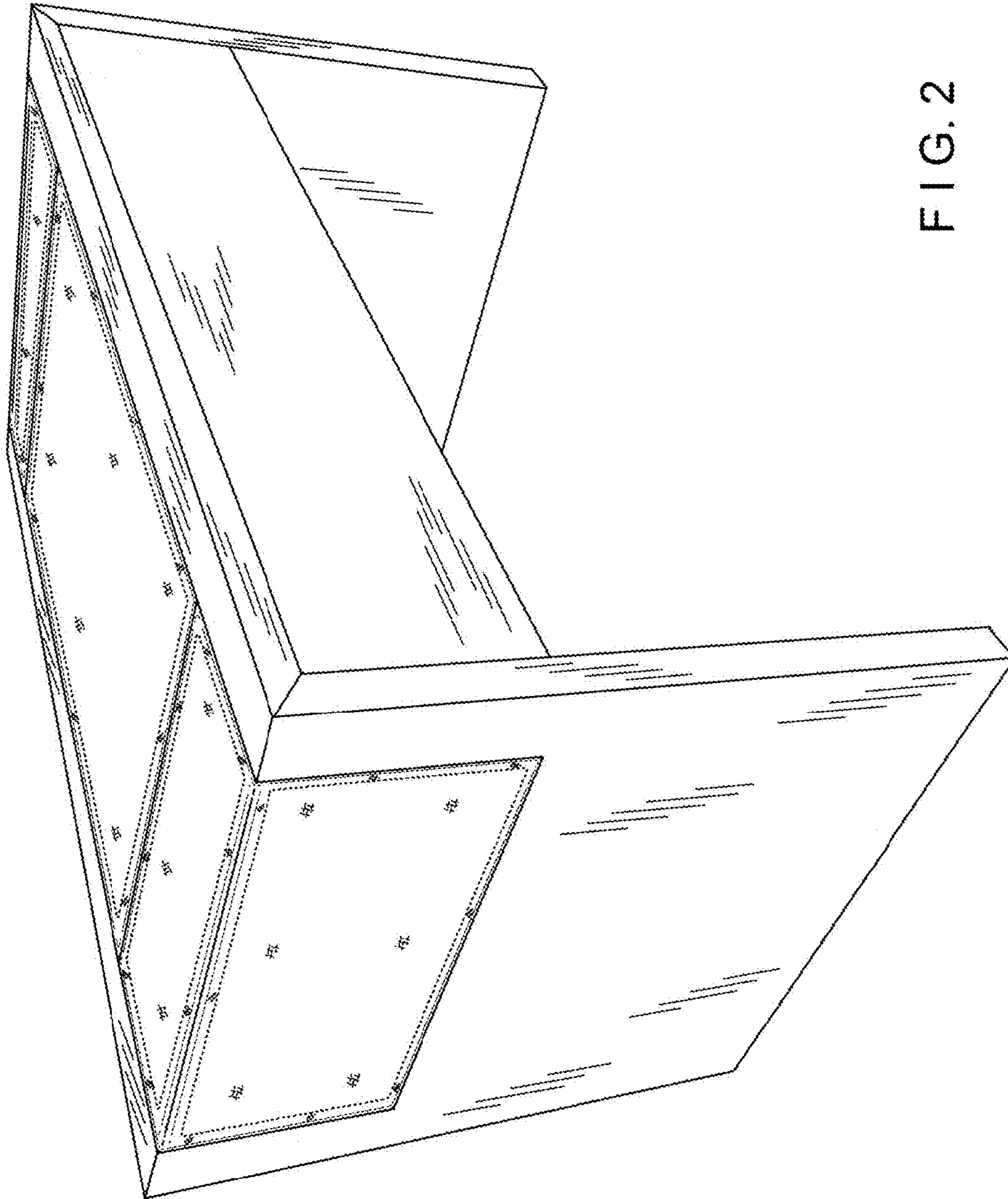


FIG. 2

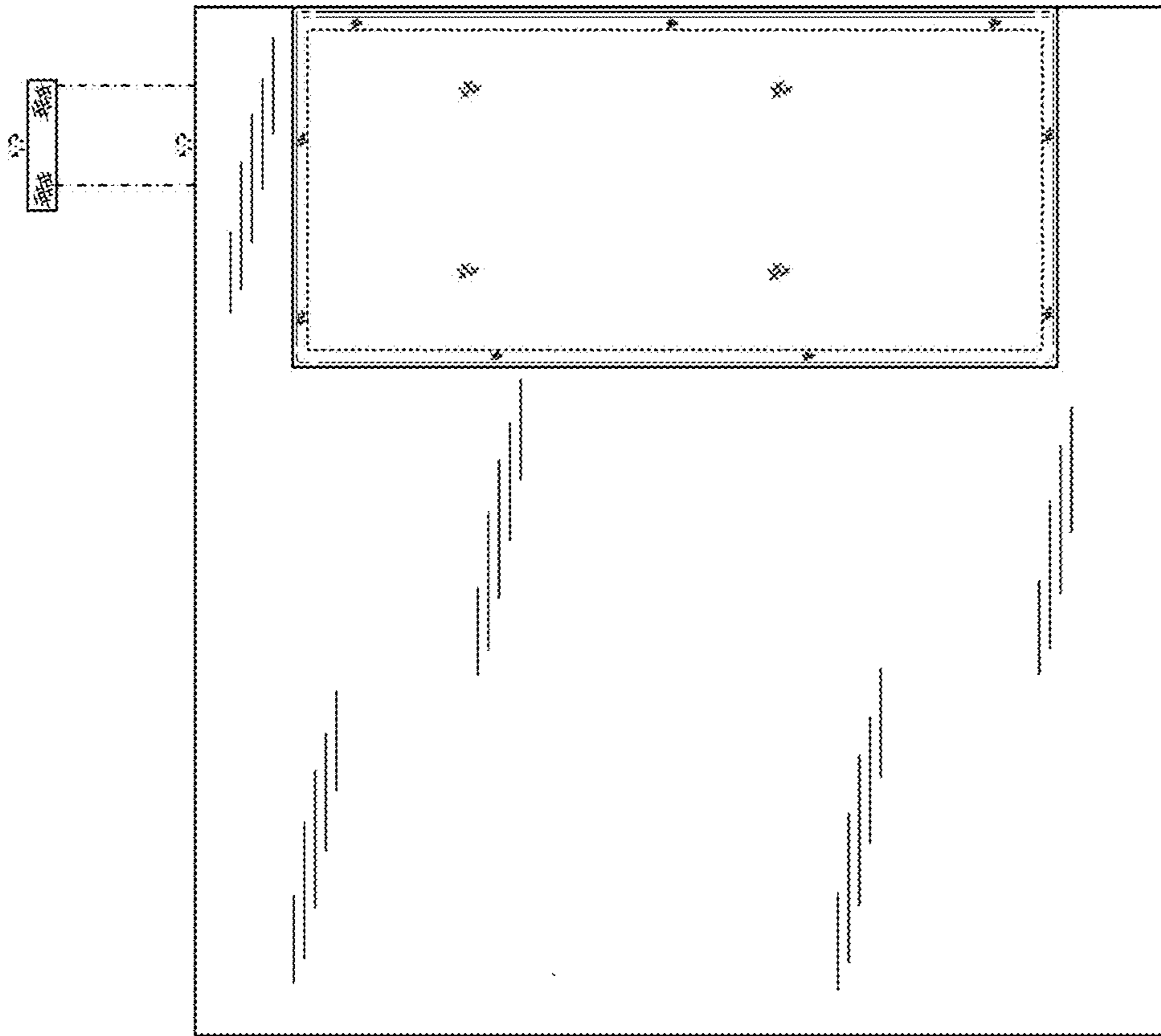


FIG. 3

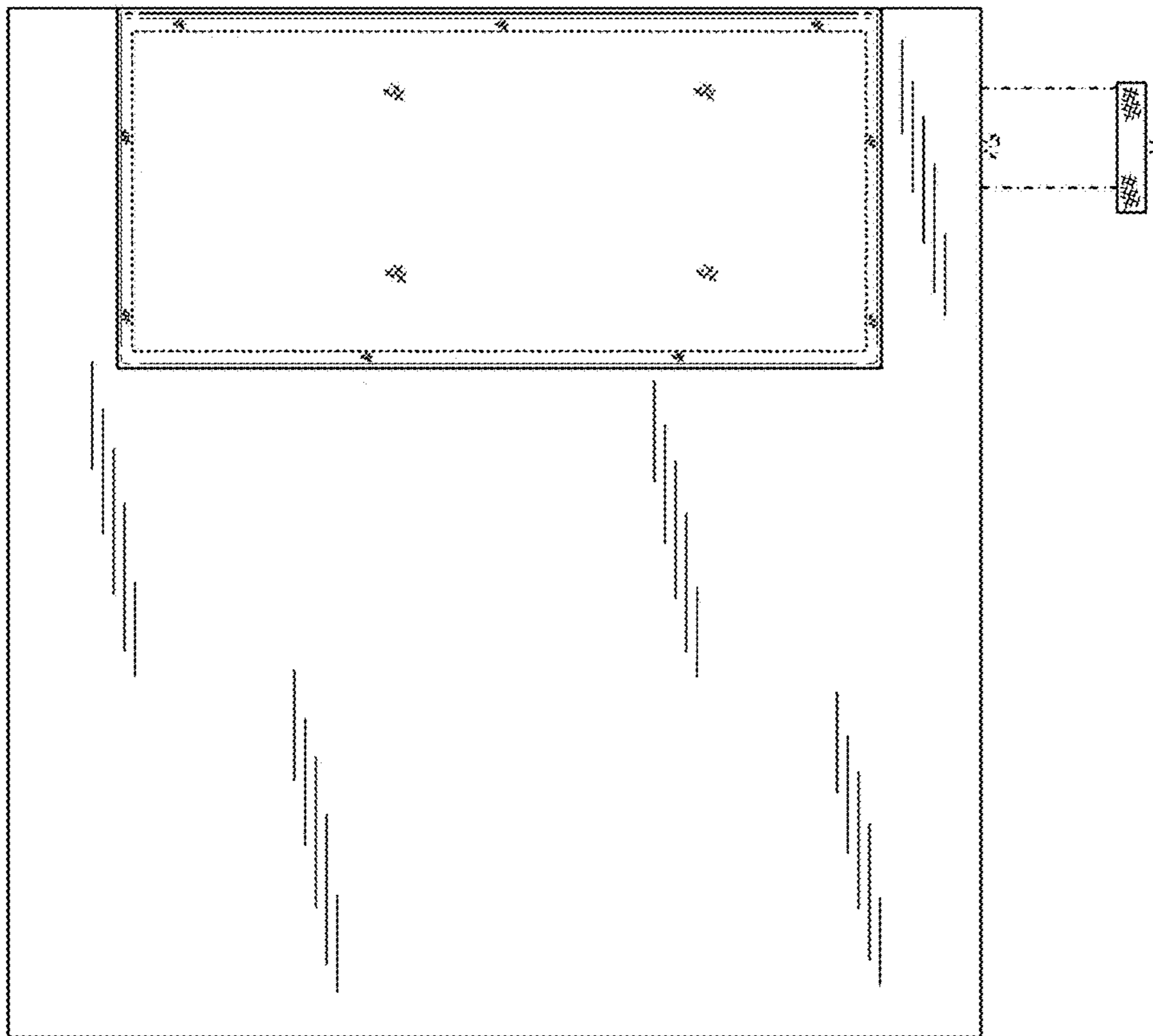


FIG. 4

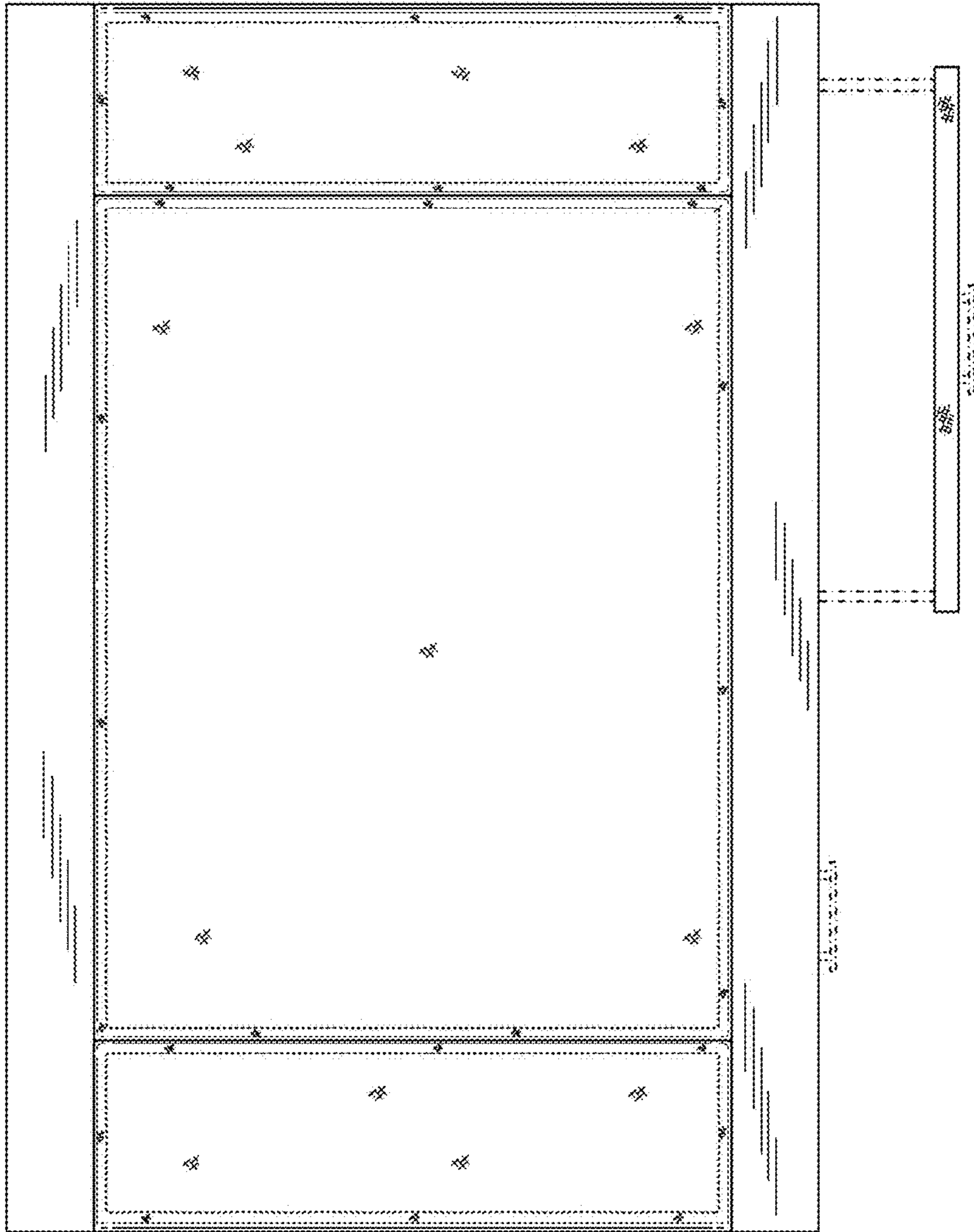


FIG. 5



FIG. 6