



US00D784733S

(12) **United States Design Patent** (10) **Patent No.:** **US D784,733 S**
Bell et al. (45) **Date of Patent:** **** Apr. 25, 2017**

(54) **MATTRESS**
(71) Applicant: **JAB Distributors, LLC**, Wheeling, IL (US)
(72) Inventors: **Jared Bell**, Northbrook, IL (US); **Warrick Bell**, Northbrook, IL (US)
(73) Assignee: **JAB DISTRIBUTORS, LLC.**, Wheeling, IL (US)
(**) Term: **15 Years**
(21) Appl. No.: **29/541,547**

D670,129 S * 11/2012 Price D6/605
D670,950 S * 11/2012 Price D6/605
D673,412 S * 1/2013 Roberts D6/605
D674,229 S * 1/2013 Roberts D6/605
D679,931 S * 4/2013 Itzkovitz D6/605
D687,655 S * 8/2013 Price D6/605
D690,962 S * 10/2013 Danileson D6/605
D707,061 S * 6/2014 Tjoflat D6/605
D707,983 S * 7/2014 Hughes D6/605
D707,986 S * 7/2014 Arnold D6/605
D711,160 S * 8/2014 Arnold D6/605
D715,075 S * 10/2014 Hughes D6/605
D763,013 S * 8/2016 Arnold D6/606
D776,958 S * 1/2017 Arnold D6/605
D776,959 S * 1/2017 Arnold D6/605
2012/0159714 A1 * 6/2012 Cortright A47C 27/15
5/690

(22) Filed: **Oct. 5, 2015**
(51) **LOC (10) Cl.** **06-09**
(52) **U.S. Cl.**
USPC **D6/605**
(58) **Field of Classification Search**
USPC D6/582-583, 587-592, 595-609,
D6/617-622; D21/803-809; D24/183
CPC A47G 9/00; A47G 2009/001; A47G
2009/002; A47G 2009/003; A47G
2009/005; A47G 2009/006; A47G 9/02;
A47G 9/0207; A47G 9/0215; A47G
9/0223; A47G 9/023; A47G 9/0238;
A47G 9/0246; A47G 9/0253; A47G
9/0261; A47G 9/06; A47G 9/062; A47G
9/066; A47G 9/068; A47G 9/08; A47G
2009/0276; A47G 9/0284; A47G 9/0292;
A47G 9/04; A47G 9/10
See application file for complete search history.

* cited by examiner

Primary Examiner — Mary Ann Calabrese
Assistant Examiner — Jennifer L Rempfer
(74) *Attorney, Agent, or Firm* — McAndrews, Held & Malloy, Ltd.

(56) **References Cited**
U.S. PATENT DOCUMENTS
5,966,759 A * 10/1999 Sanders A47C 27/007
5/497
D659,459 S * 5/2012 Jung D6/605

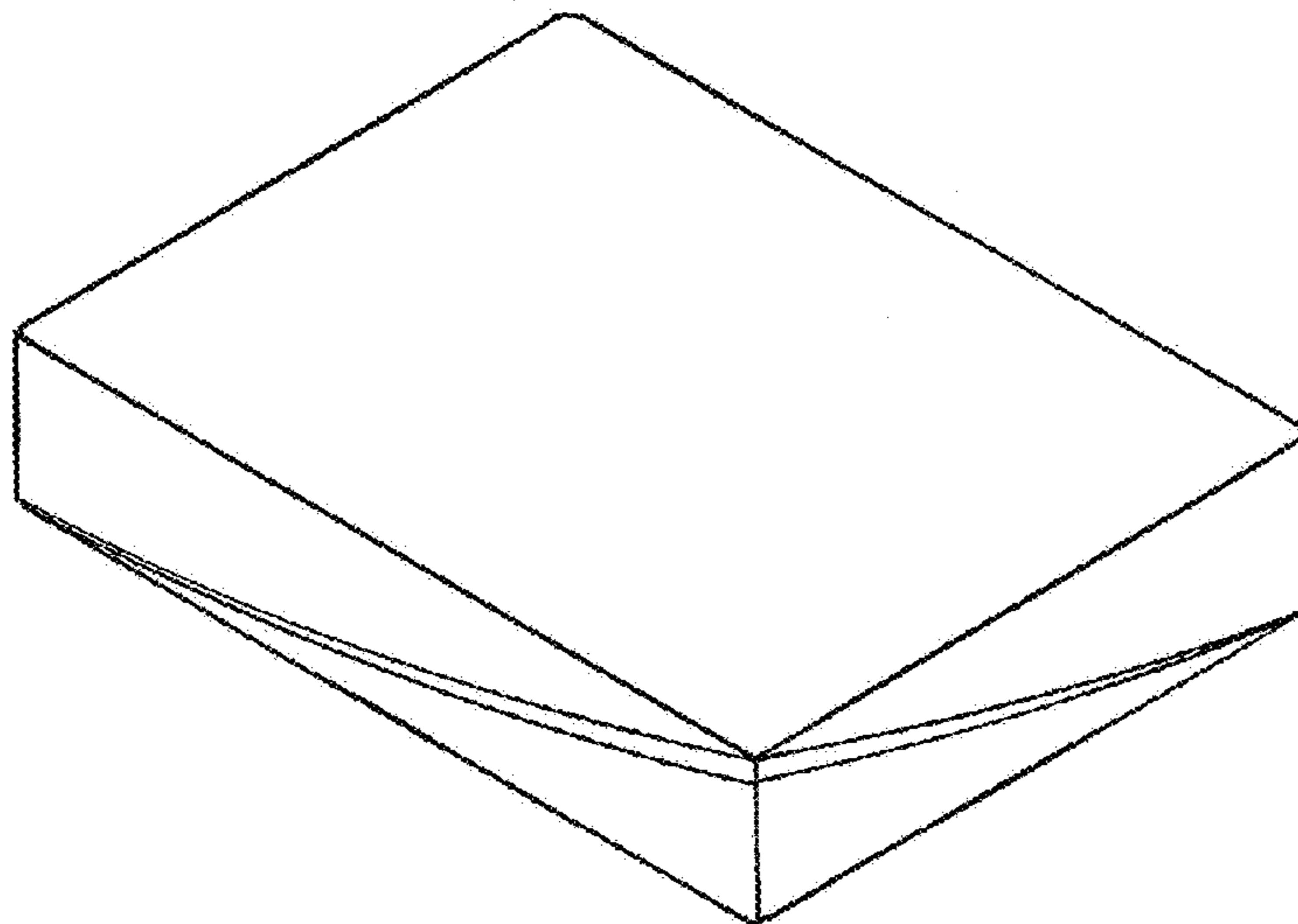
(57) **CLAIM**

The ornamental design for mattress, as shown and described.

DESCRIPTION

FIG. 1 is a perspective view of a mattress.
FIG. 2 is a top view and a bottom view of the mattress of FIG. 1.
FIG. 3 is a back end view of the mattress of FIG. 1.
FIG. 4 is a right side view of the mattress of FIG. 1.
FIG. 5 is a front end view of the mattress of FIG. 1; and,
FIG. 6 is a left side view of the mattress of FIG. 1.

1 Claim, 2 Drawing Sheets



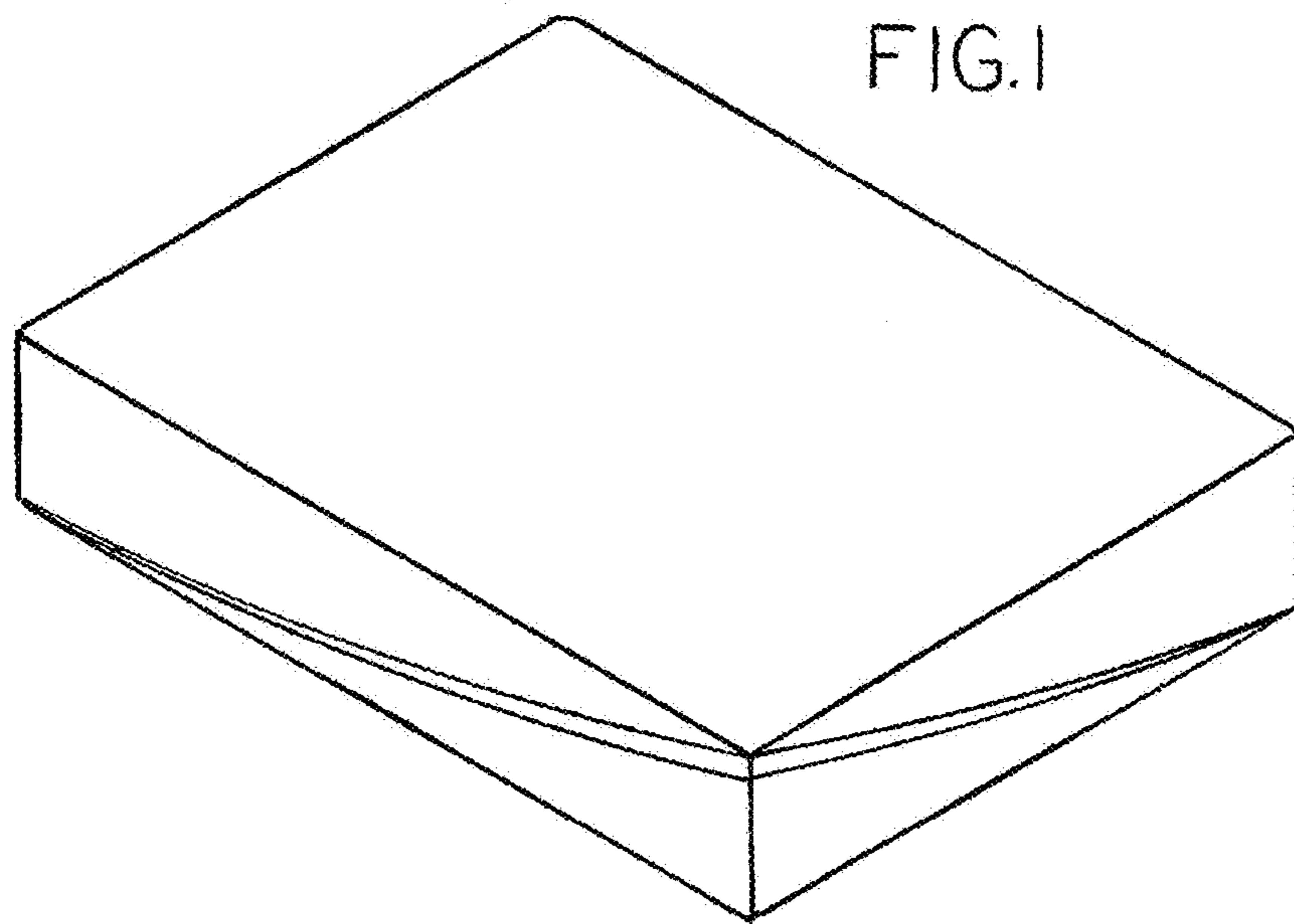


FIG. 1

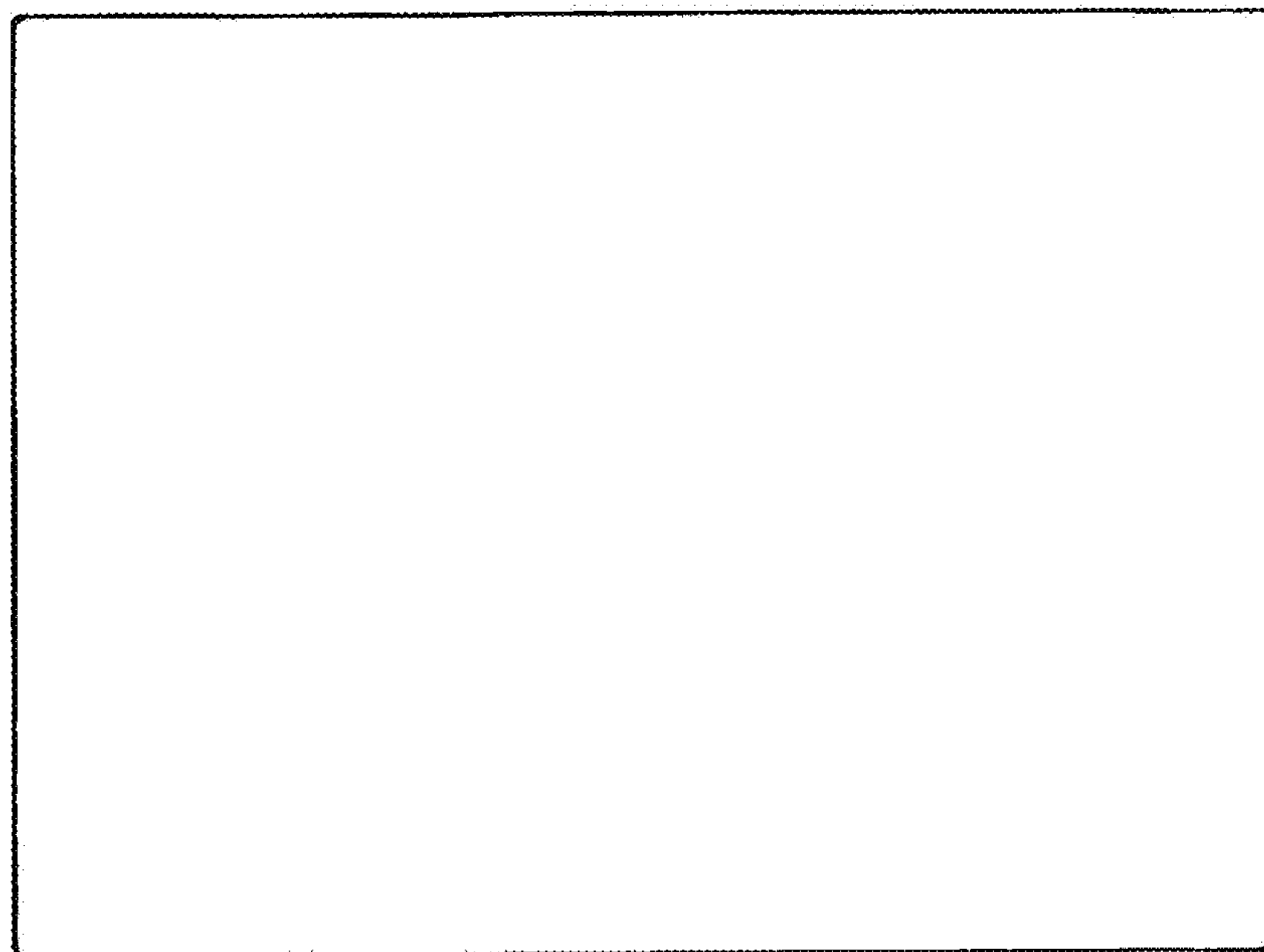


FIG. 2

FIG.3



FIG.4



FIG.5

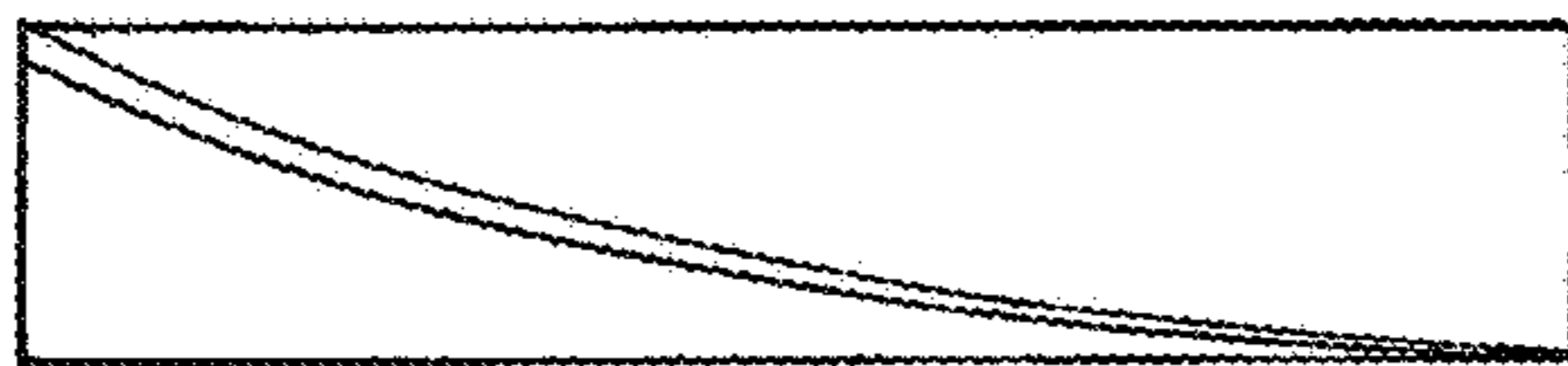


FIG.6

