



US00D784731S

(12) **United States Design Patent**
Pearce et al.

(10) **Patent No.:** **US D784,731 S**
(45) **Date of Patent:** **** Apr. 25, 2017**

(54) **PACKAGED MATTRESS CUSHION**
(71) Applicant: **EdiZONE, LLC**, Alpine, UT (US)
(72) Inventors: **Tony M. Pearce**, Alpine, UT (US);
Terry V. Pearce, Alpine, UT (US);
Russell B. Whatcott, Eagle Mountain,
UT (US)

4,761,872 A * 8/1988 Buettner A47G 9/10
29/235
4,876,755 A * 10/1989 Parrish A47C 7/425
297/230.1
5,291,625 A * 3/1994 Leslie A47C 27/081
5/420
D370,956 S * 6/1996 Pery D21/809
D372,158 S * 7/1996 Bonaddio 5/636
(Continued)

(73) Assignee: **EdiZONE, LLC**, Alpine, UT (US)

(**) Term: **15 Years**

(21) Appl. No.: **29/557,162**

(22) Filed: **Mar. 7, 2016**

(51) **LOC (10) Cl.** **06-09**

(52) **U.S. Cl.**
USPC **D6/601**

(58) **Field of Classification Search**
USPC D6/333, 349, 355, 375, 388, 512, 563,
D6/564, 595, 596, 601, 604, 611, 707,
D6/715, 716, 716.1; D24/183-185, 234;
D21/803, 804, 805, 809; 5/401, 420,
5/600, 630, 631, 632, 633, 635, 636, 638,
5/639, 646, 652, 652.1, 655, 703, 730;
297/1, 2, 4, 93, 180.11, 195.1, 195.11,
297/195.13, 393, 397, 452.12, 452.14,
297/452.15, 452.21, 452.24, 452.26,
297/452.48, 452.62, 482
CPC A47G 9/10; A47G 9/1009; A47G 9/1018;
A47G 9/1027; A47G 9/1036; A47G
9/1045; A47G 9/1063; A47G 9/1072;
A47G 9/1081; A47G 9/109; A47C 7/021;
A47C 27/00

See application file for complete search history.

(56) **References Cited**

U.S. PATENT DOCUMENTS

D236,905 S * 9/1975 Hunt D21/803
4,081,870 A * 4/1978 Iannucci A47G 9/10
297/DIG. 1

OTHER PUBLICATIONS

Purple Mattress. Retrieved from the internet on Dec. 4, 2016 at
[http://https://onpurple.com/mattress], 14 Pages.*

Primary Examiner — Rosemary K Tarcza
Assistant Examiner — Sanjeev Paul
(74) *Attorney, Agent, or Firm* — TraskBritt

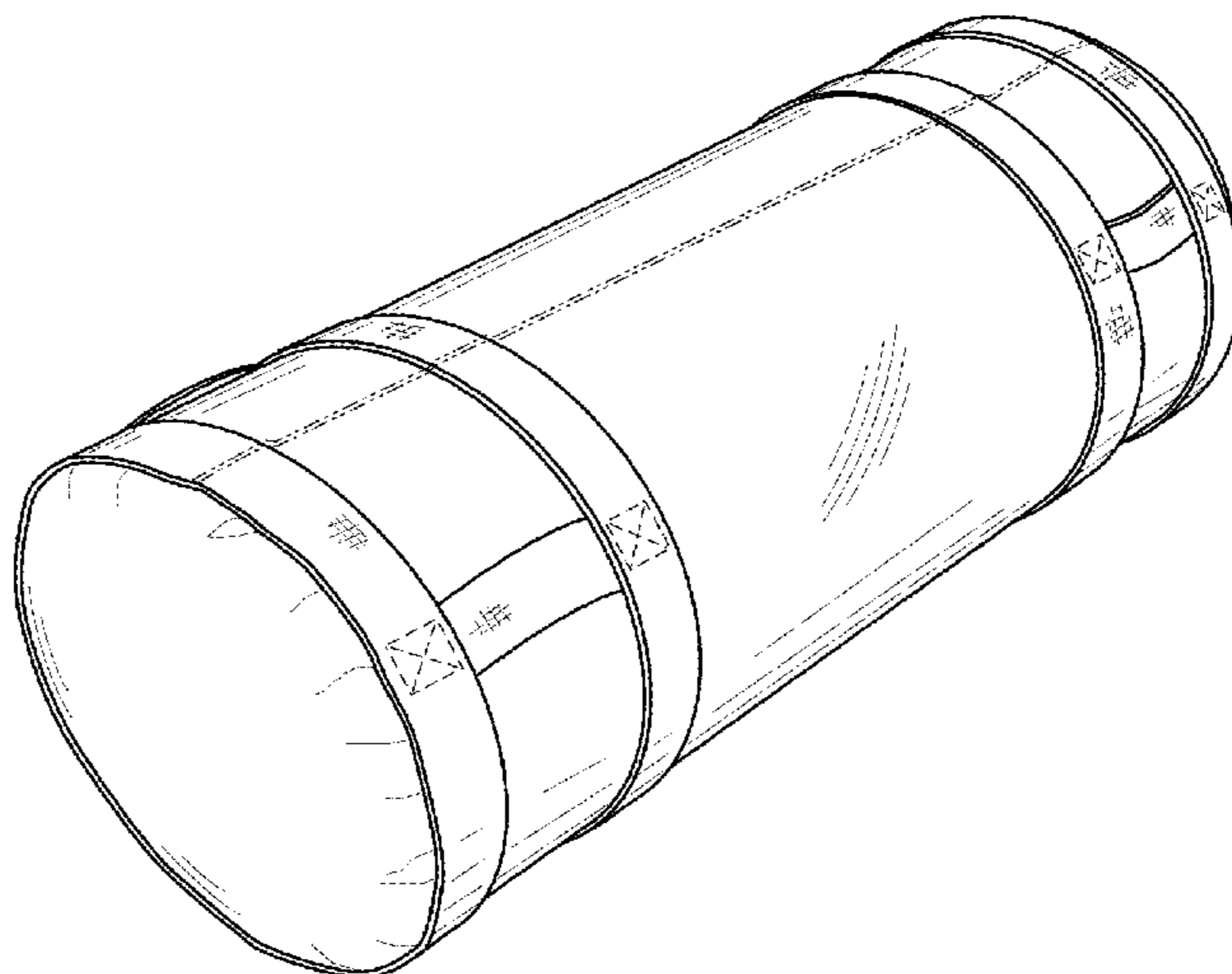
(57) **CLAIM**

The ornamental design for a packaged mattress cushion, as
shown and described.

DESCRIPTION

FIG. 1 is a perspective view of a packaged mattress cushion
showing our new design;
FIG. 2 is a front side view of the packaged mattress cushion
shown in FIG. 1;
FIG. 3 is a back side view of the packaged mattress cushion
shown in FIG. 1;
FIG. 4 is a top view of the packaged mattress cushion shown
in FIG. 1;
FIG. 5 is a bottom view of the packaged mattress cushion
shown in FIG. 1.
FIG. 6 is a right side view of the packaged mattress cushion
shown in FIG. 1; and,
FIG. 7 is a left side view of the packaged mattress cushion
shown in FIG. 1.
The broken lines shown in FIGS. 1-7 are included for the
purpose of illustrating unclaimed portions of the packaged
mattress cushion and form no part of the claimed design.

1 Claim, 3 Drawing Sheets



(56)

References Cited

U.S. PATENT DOCUMENTS

5,938,276 A * 8/1999 Munoz A47C 7/002
297/188.08
6,802,092 B1 * 10/2004 Klein A47G 9/062
5/417
D505,291 S * 5/2005 Dalset D6/601
D765,441 S * 9/2016 Thurston D6/596
D770,202 S * 11/2016 Scott-Gary D6/601
2003/0126684 A1 * 7/2003 Han A47C 20/023
5/630
2003/0131414 A1 * 7/2003 Lee A47C 20/021
5/632
2003/0131416 A1 * 7/2003 Lee H01L 31/02240
5/652
2004/0025254 A1 * 2/2004 McCarthy A47C 27/084
5/655
2004/0088788 A1 * 5/2004 Alane A47G 27/0237
5/420
2005/0198738 A1 * 9/2005 Hedges A61G 13/121
5/636
2008/0141462 A1 * 6/2008 Woods A47C 16/00
5/655

* cited by examiner

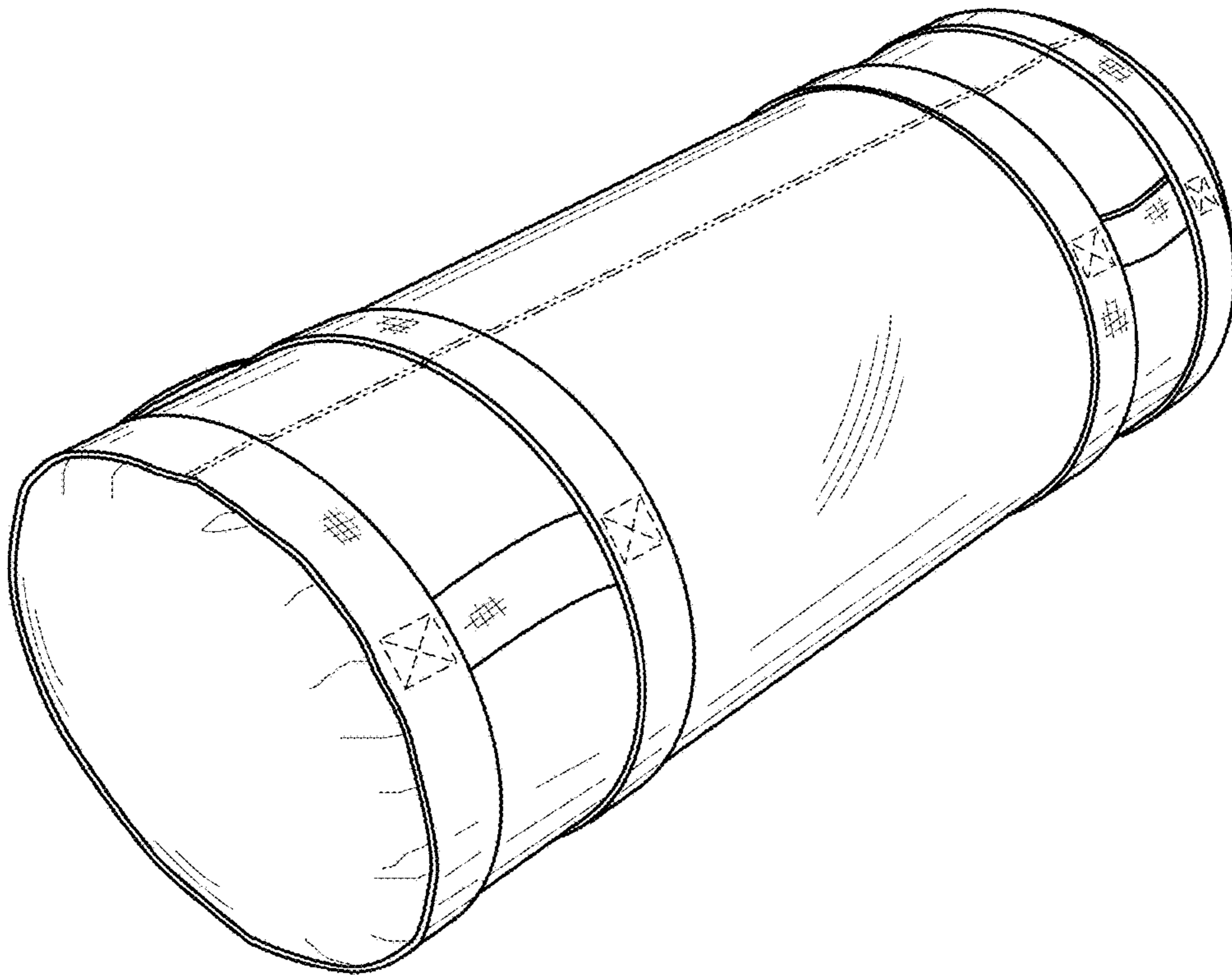


FIG. 1

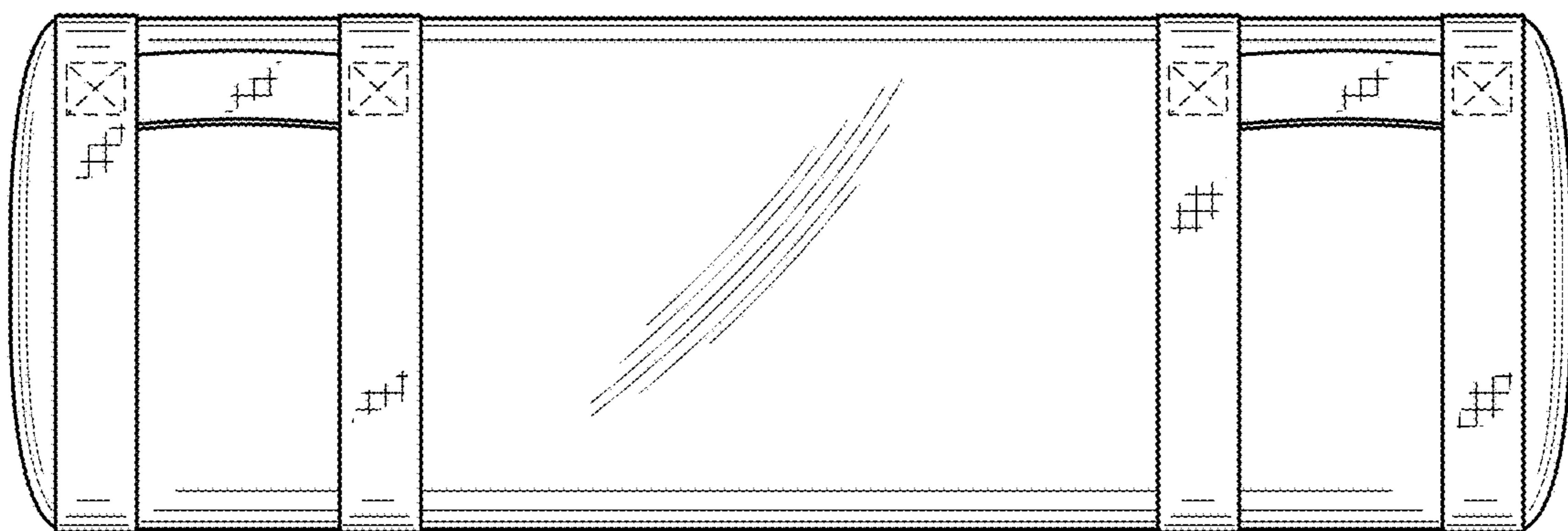


FIG. 2

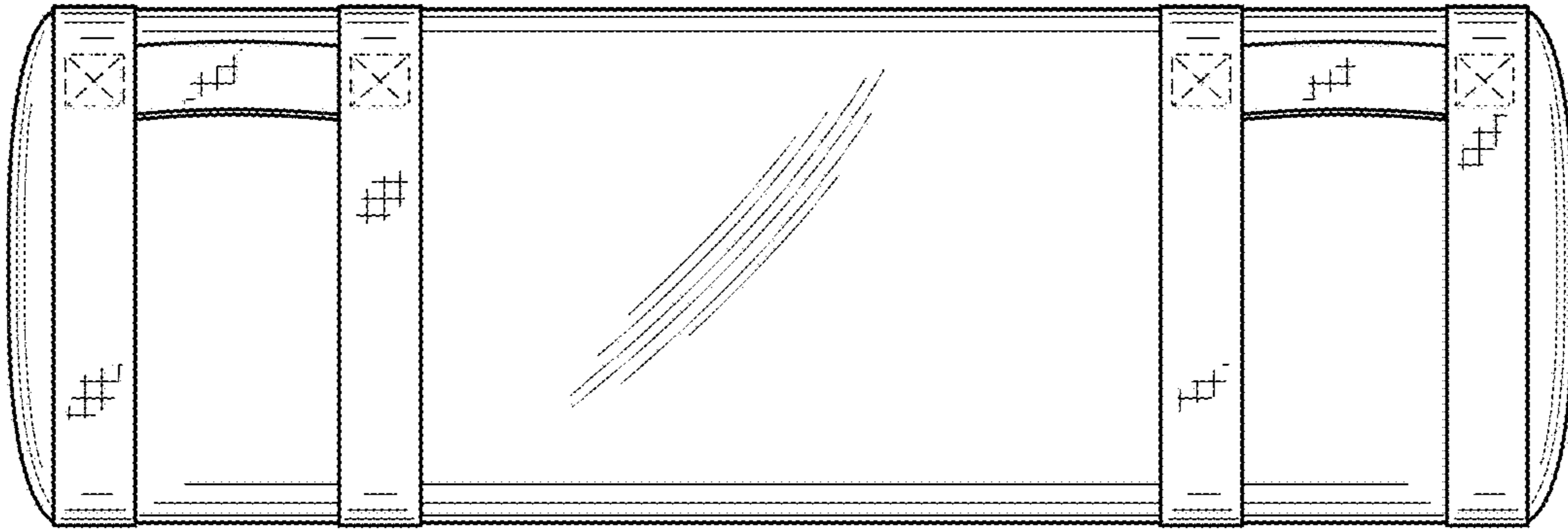


FIG. 3

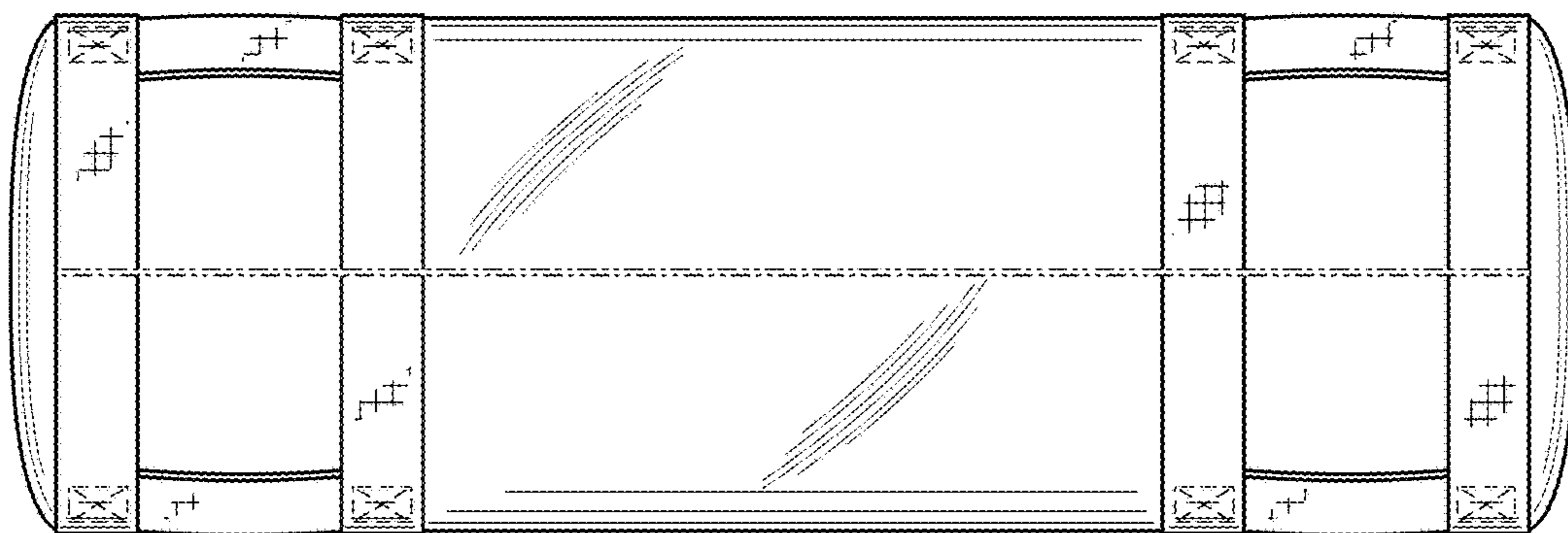


FIG. 4

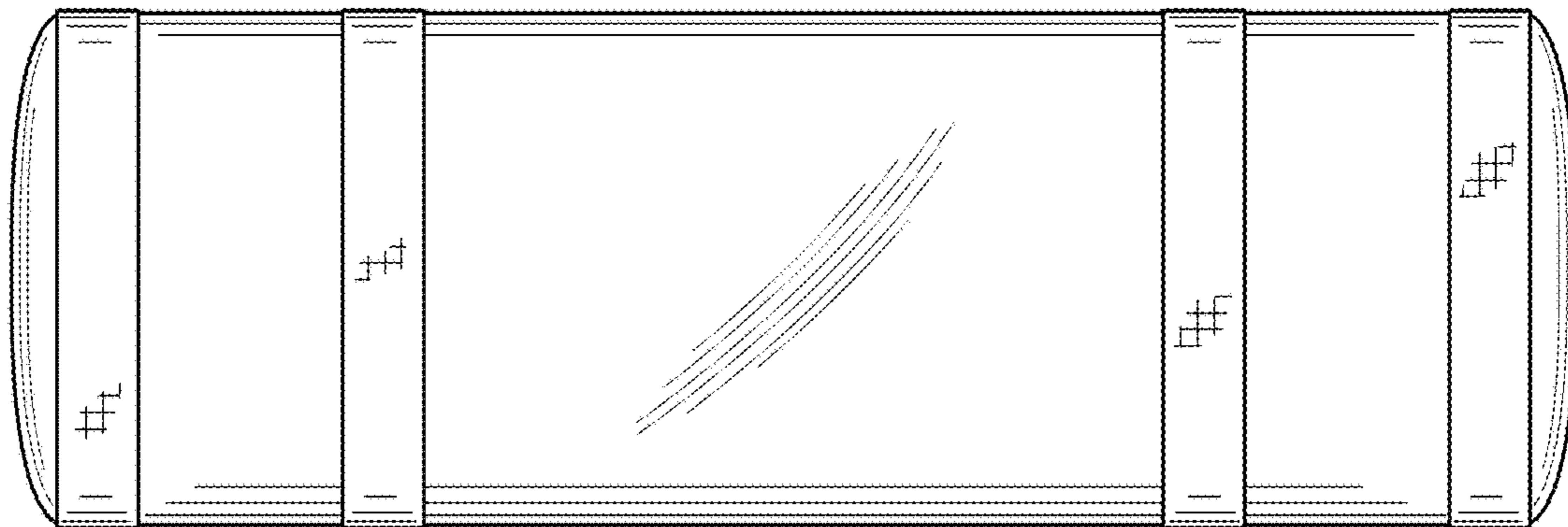


FIG. 5

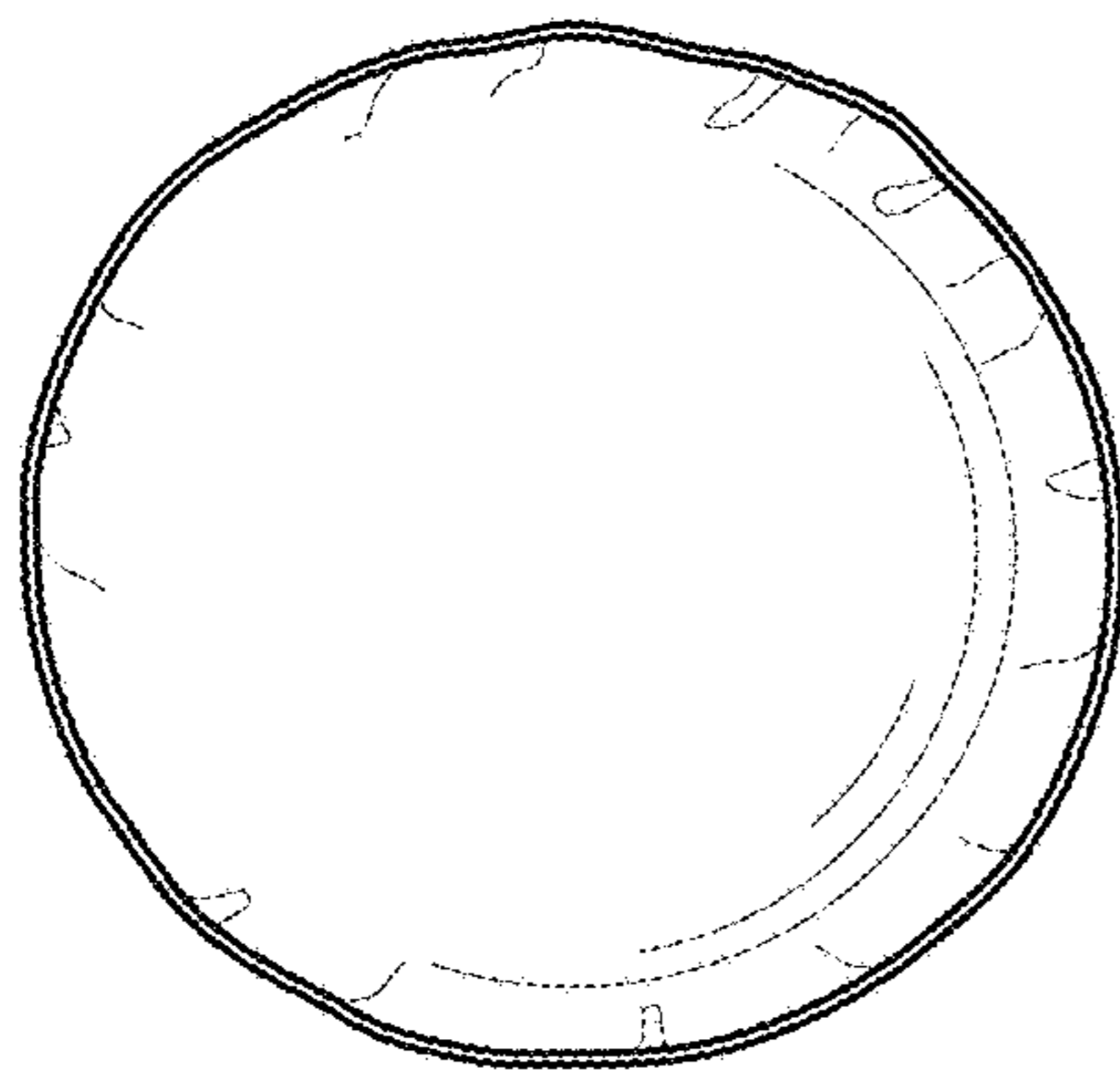


FIG. 6

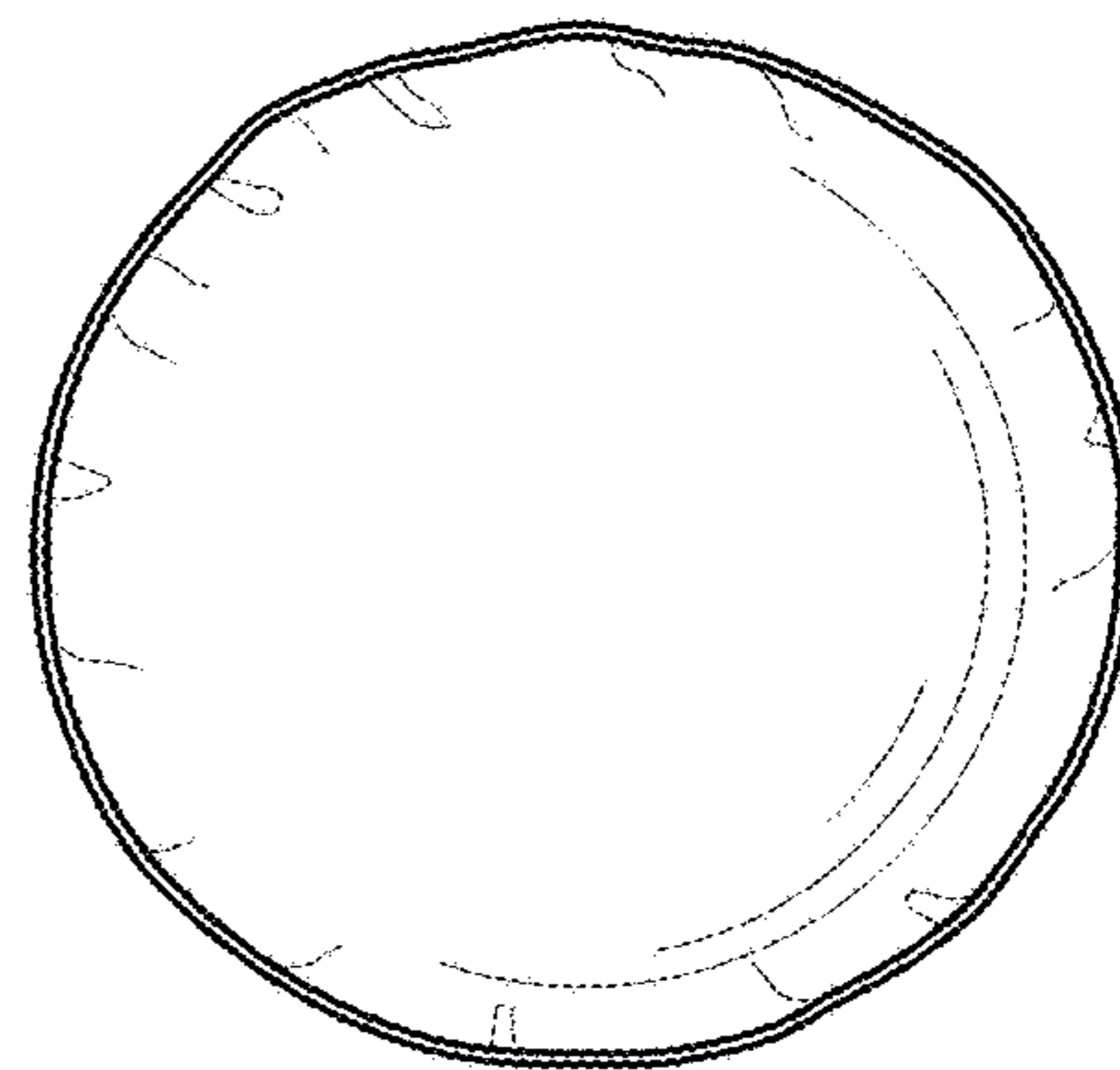


FIG. 7