



US00D784730S

(12) **United States Design Patent**
Kruger

(10) **Patent No.:** **US D784,730 S**

(45) **Date of Patent:** **** Apr. 25, 2017**

(54) **HEIGHT-ADJUSTABLE FURNITURE PIECE**

(71) Applicant: **Teknion Limited**, Toronto (CA)

(72) Inventor: **Paul Fredrick Kruger**, Toronto (CA)

(73) Assignee: **Teknion Limited**, Toronto (CA)

(**) Term: **15 Years**

(21) Appl. No.: **29/530,080**

(22) Filed: **Jun. 12, 2015**

(51) **LOC (10) Cl.** **06-04**

(52) **U.S. Cl.**
USPC **D6/574**

(58) **Field of Classification Search**
USPC D6/574, 363, 368, 513, 648; D25/23, 62,
D25/66, 69; 108/5, 6, 42, 47; 182/115,
182/116, 120; 248/214, 235, 236, 327,
248/309.1, 346.01

CPC . A47C 20/04; A47C 1/032; A47B 2220/0002;
A47B 46/005; A47B 21/02; A47D 5/006;
E05D 7/00; A45F 3/44

See application file for complete search history.

(56) **References Cited**

U.S. PATENT DOCUMENTS

1,433,062	A *	10/1922	Bellamy	B65D 5/2042
					229/112
D77,982	S *	3/1929	Rocic	D6/363
D134,806	S *	1/1943	Brown et al.	297/31
D182,245	S *	3/1958	Rabin	297/446.1
D323,777	S *	2/1992	Knox, III	248/237
D355,990	S *	3/1995	Vincelli	D6/555
6,267,202	B1 *	7/2001	Nelson	A01M 31/02
					182/116
D457,351	S *	5/2002	Zerman	D14/447
D495,337	S *	8/2004	Zerman	D14/447
D553,892	S *	10/2007	Lior	D6/574
D631,735	S *	2/2011	Johnson	D8/380

D645,571	S *	9/2011	Furseth	D25/62
8,015,929	B2 *	9/2011	Tyner	A47B 23/025
					108/134
D657,600	S *	4/2012	Beckner	D25/62
D677,496	S *	3/2013	Agati	D6/555
D681,973	S *	5/2013	Gibbs	D6/686
D686,384	S *	7/2013	Fosburgh	D32/66
D707,287	S *	6/2014	Thomas	D17/20
2012/0199049	A1 *	8/2012	Ruggiero	A47B 83/04
					108/42
2013/0314852	A1 *	11/2013	Kincaid	F16M 11/046
					361/679.01

(Continued)

Primary Examiner — Wan Laymon

Assistant Examiner — Mark Booker

(74) *Attorney, Agent, or Firm* — Bereskin & Parr
LLP/S.E.N.C.R.L., s.r.l.

(57) **CLAIM**

I claim the ornamental design for a height-adjustable furniture piece, as shown and described.

DESCRIPTION

FIG. 1 is a front perspective view of the height-adjustable furniture piece in accordance with our new design, where the height-adjustable furniture piece is shown connected to a wall.

FIG. 2 is a left side view thereof;

FIG. 2A is an enlarged view of the portion within the dash-dot line box shown in FIG. 2;

FIG. 3 is front view thereof;

FIG. 4 is right side view thereof;

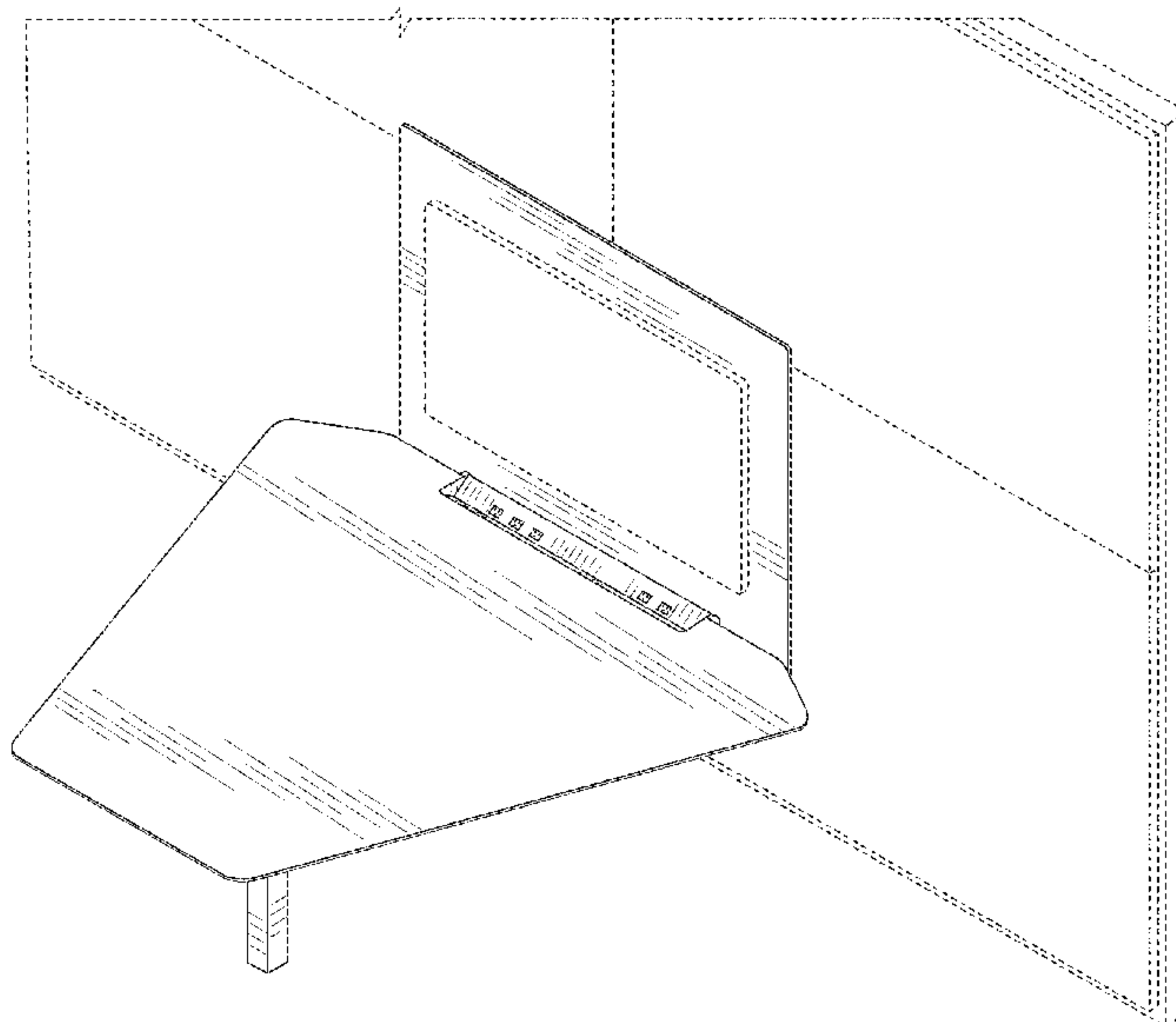
FIG. 5 is a top plan view thereof; and,

FIG. 6 is a bottom plan view thereof.

The broken lines in the figures are to illustrate environmental structure only and form no part of the claimed design.

The dash-dot lines in the figures are to illustrate boundaries and also form no part of the claimed design.

1 Claim, 6 Drawing Sheets



(56)

References Cited

U.S. PATENT DOCUMENTS

2016/0073779 A1* 3/2016 Ringlein A47B 87/002
108/28

* cited by examiner

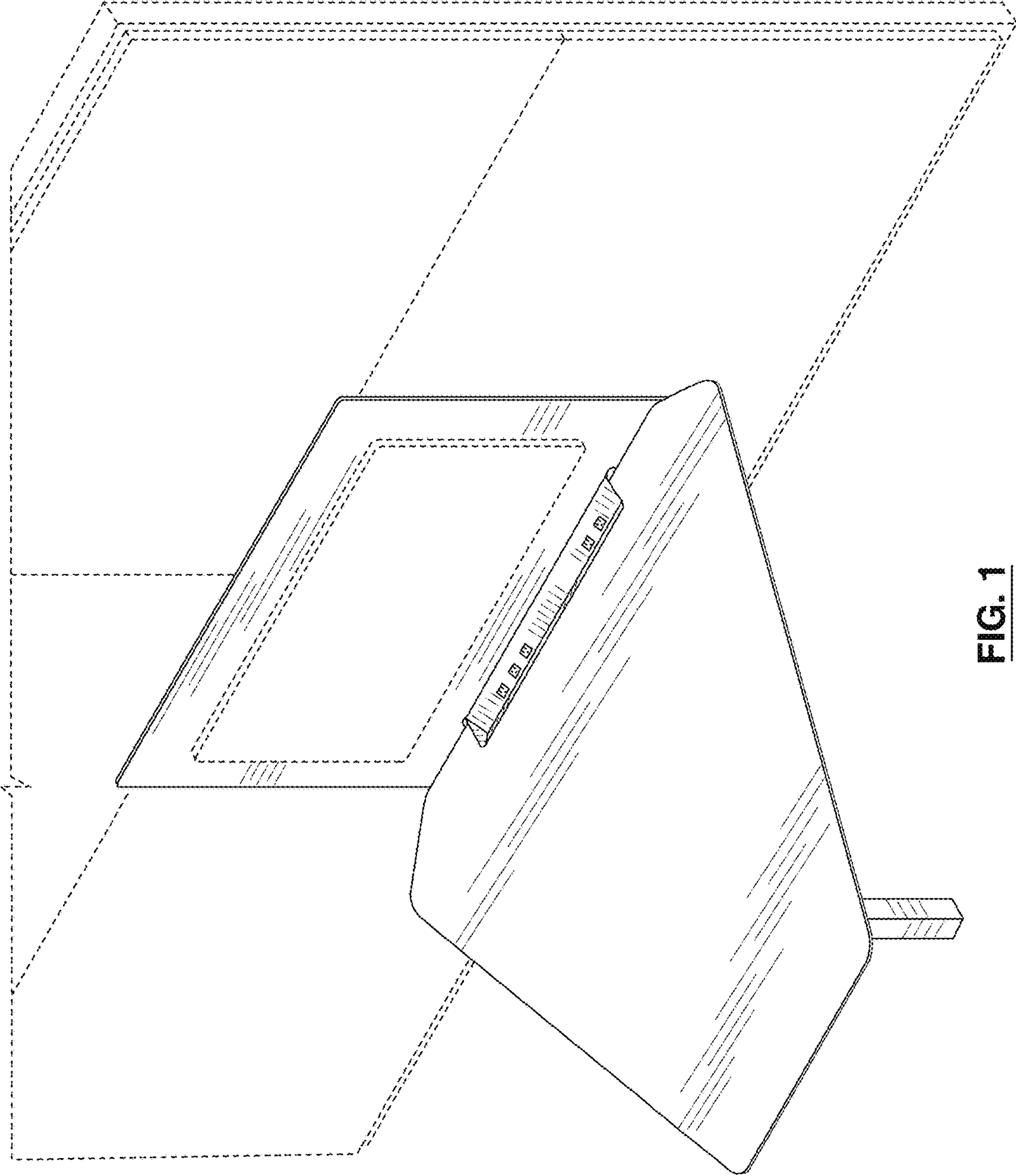


FIG. 1

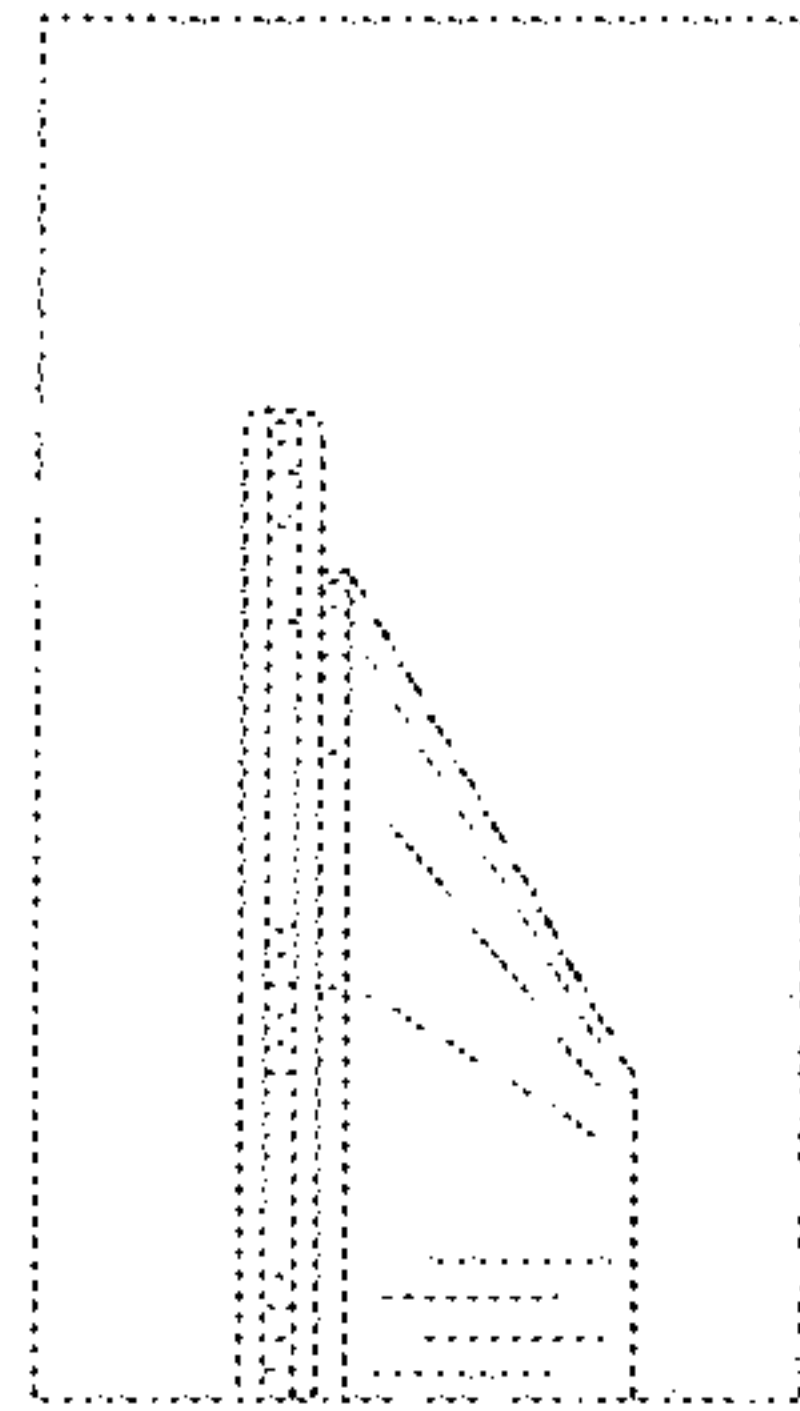


FIG. 2A

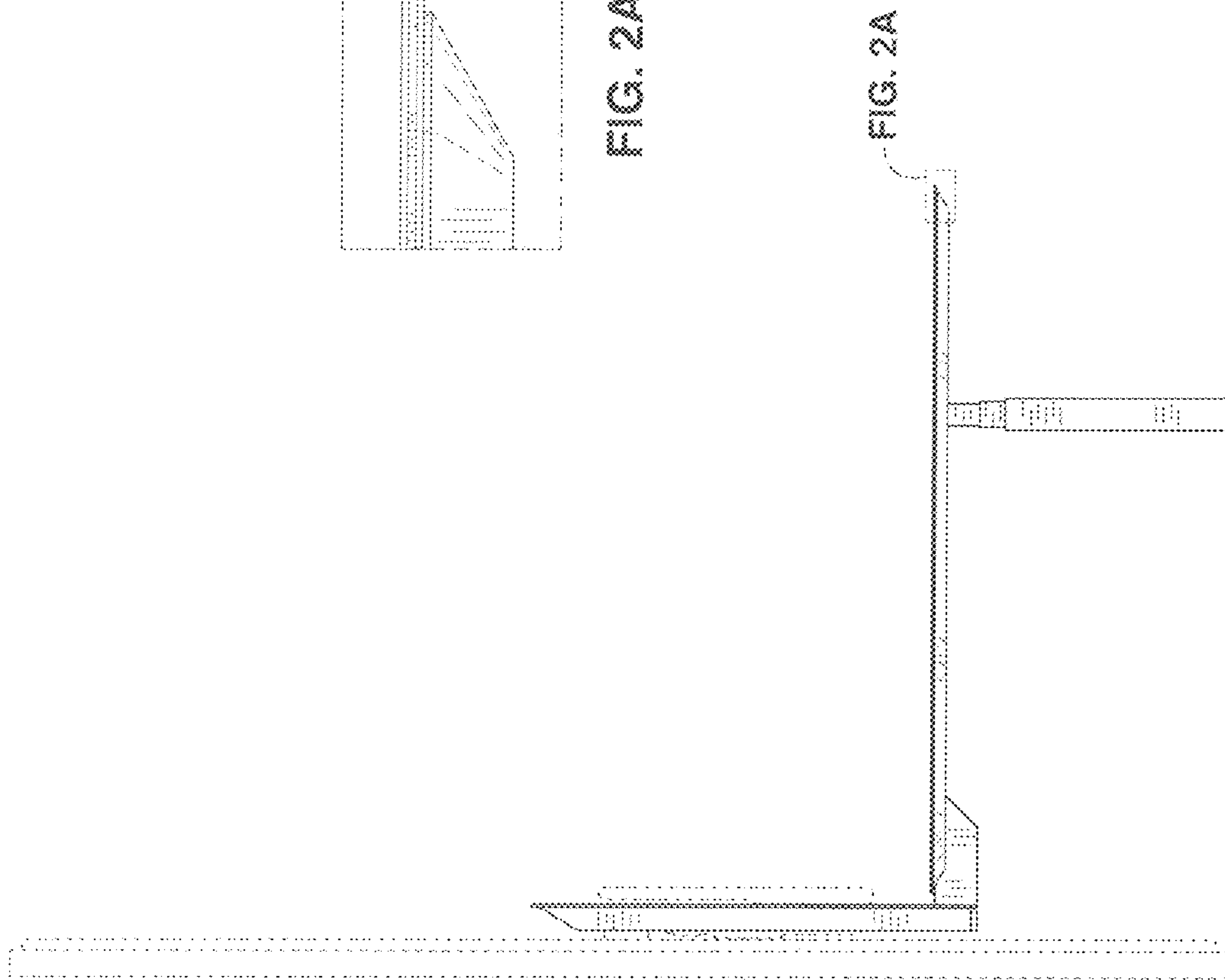


FIG. 2

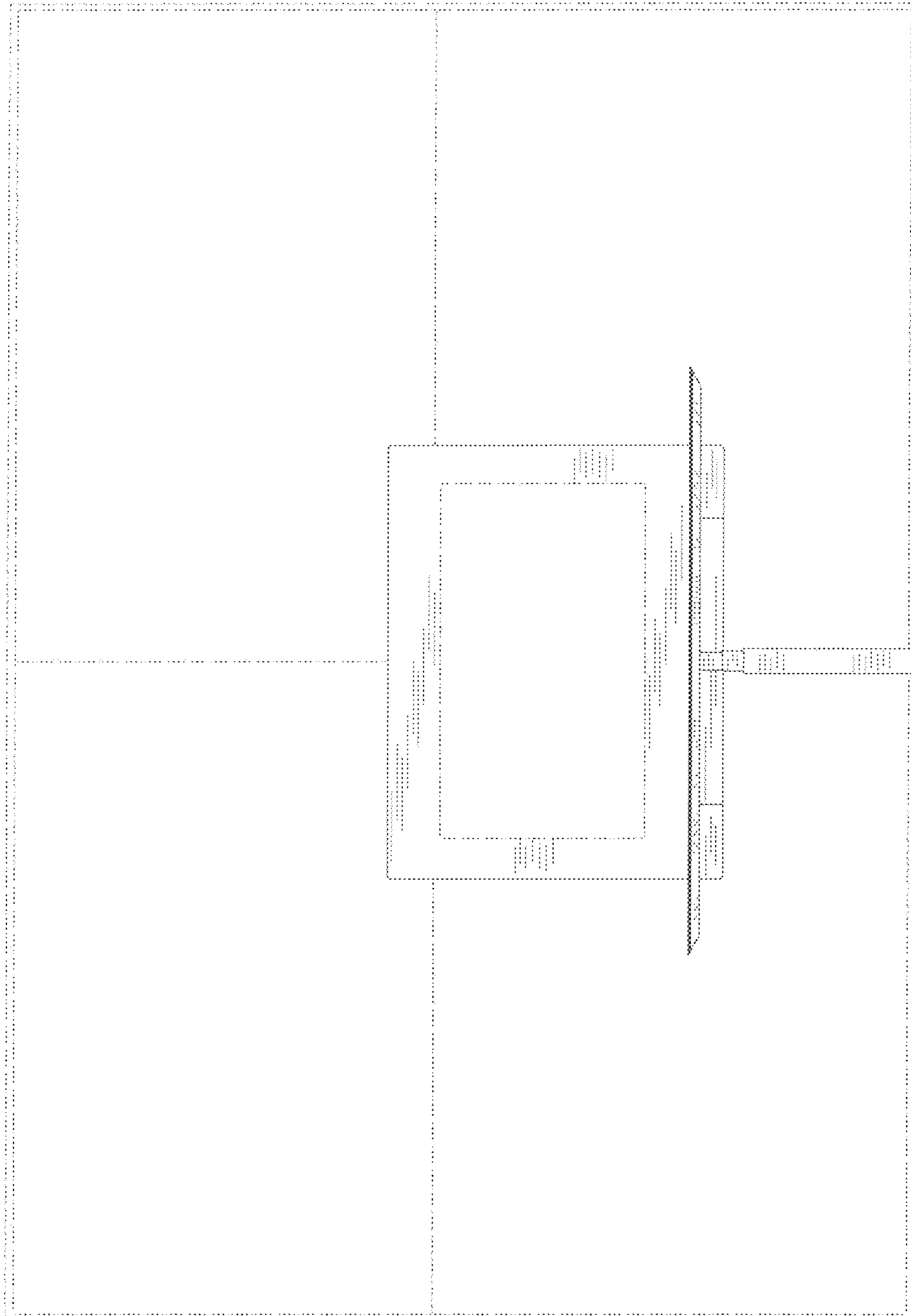


FIG. 3

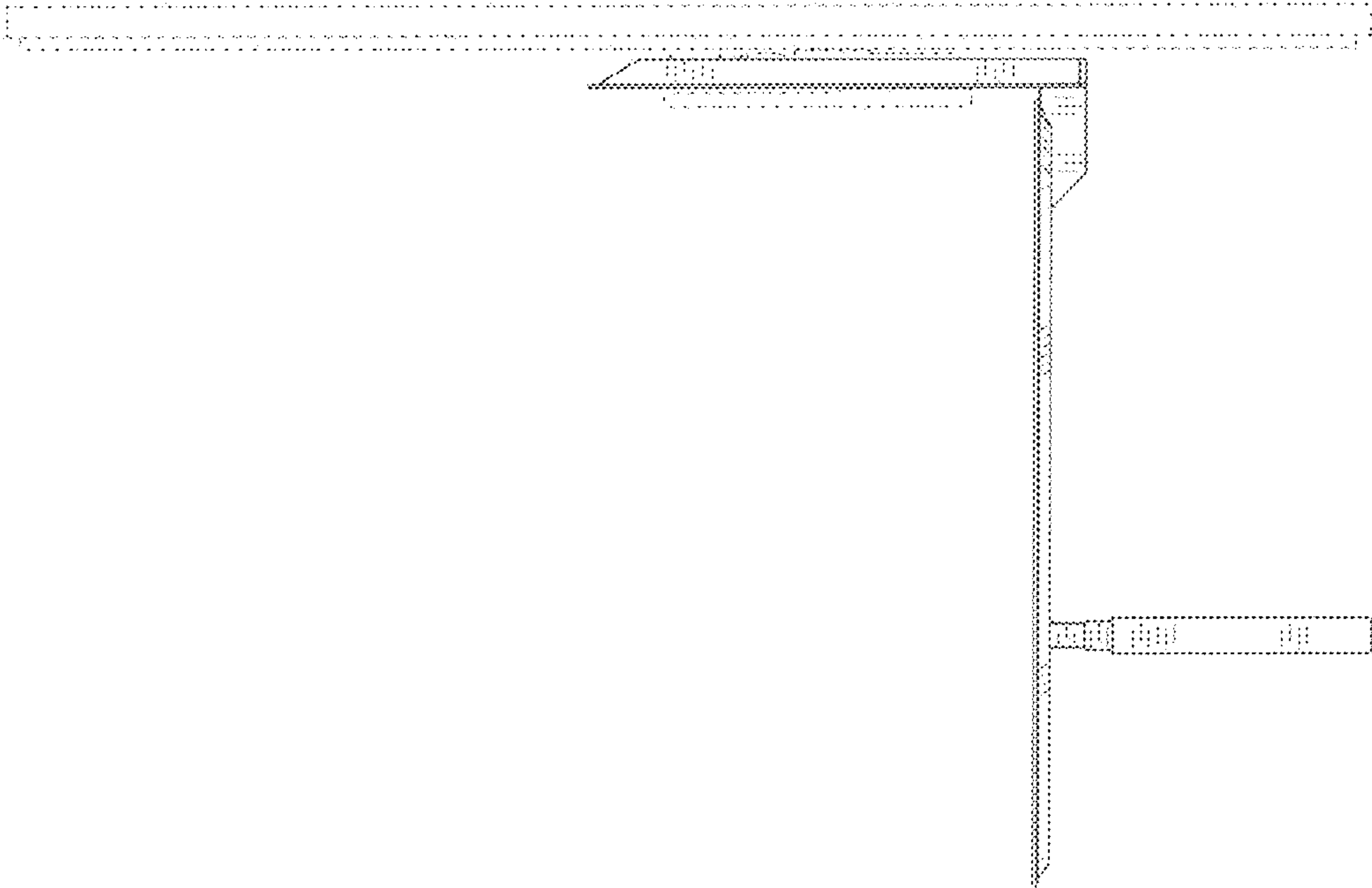


FIG. 4

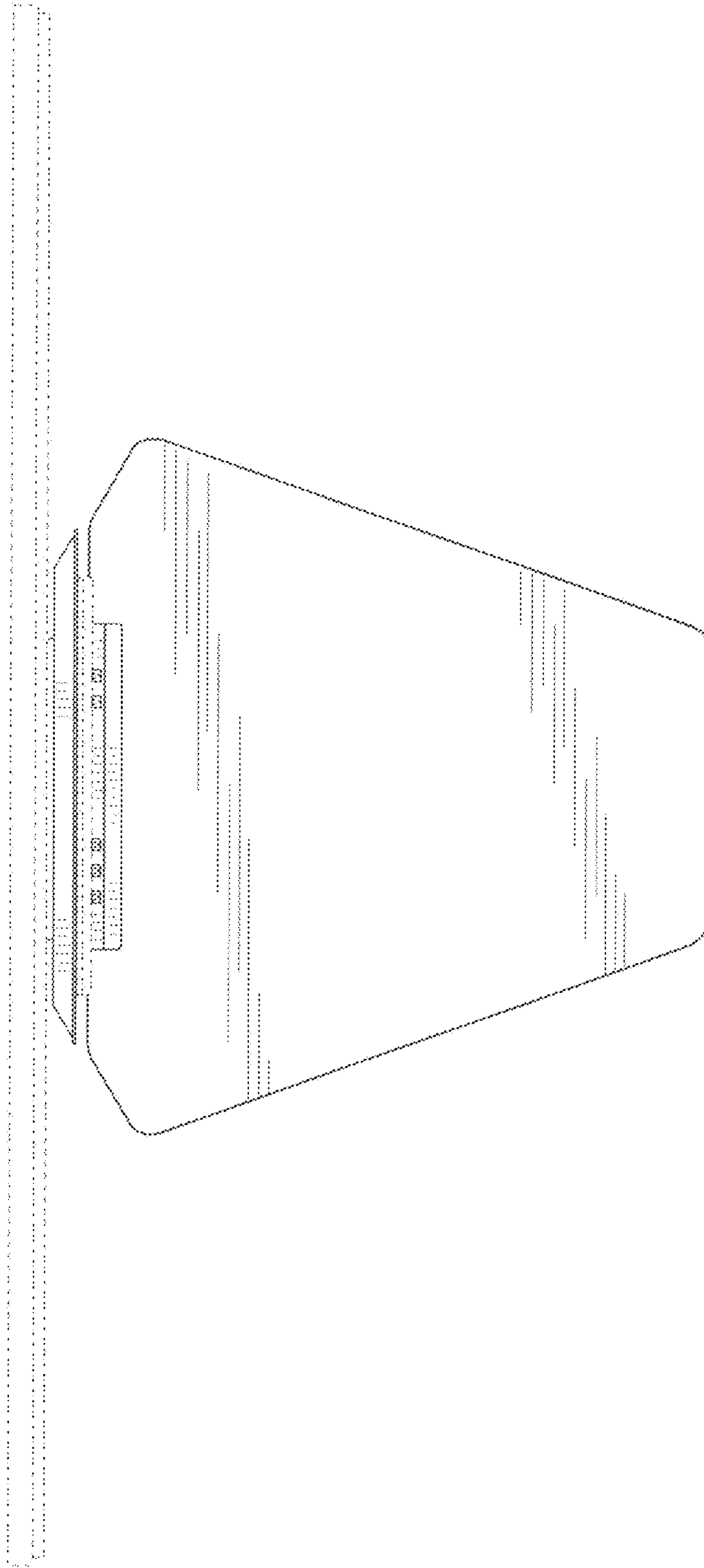


FIG. 5

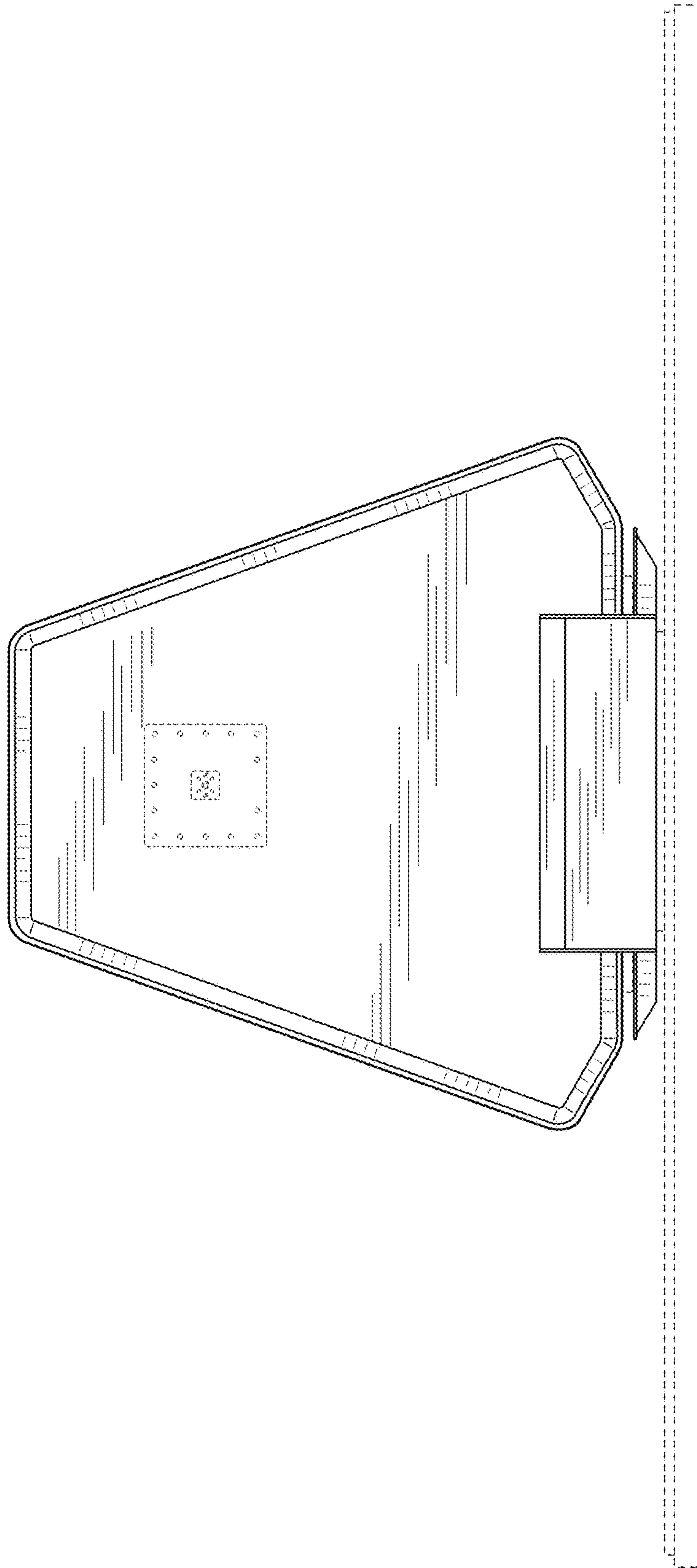


FIG. 6