



US00D784728S

(12) **United States Design Patent** (10) **Patent No.:** **US D784,728 S**
Eads (45) **Date of Patent:** **** Apr. 25, 2017**

(54) **TOWEL BAR**

(56) **References Cited**

(71) Applicant: **DELTA FAUCET COMPANY,**
Indianapolis, IN (US)
(72) Inventor: **Thad Eads,** North Manchester, IN (US)
(73) Assignee: **DELTA FAUCET COMPANY,**
Indianapolis, IN (US)

U.S. PATENT DOCUMENTS

D254,461 S *	3/1980	Tegner	D6/549
D466,741 S *	12/2002	Moore	D6/549
D478,447 S *	8/2003	Hoernig	D6/549
D478,759 S *	8/2003	Hoernig	D6/549
D492,529 S *	7/2004	Chen	D6/549
D516,350 S *	3/2006	Chen	D6/549
D540,597 S *	4/2007	Hoernig	D6/549
D771,408 S *	11/2016	Garland	D6/549

(**) Term: **15 Years**

* cited by examiner

(21) Appl. No.: **29/551,220**

Primary Examiner — Wan Laymon

(22) Filed: **Jan. 12, 2016**

Assistant Examiner — Mark Booker

(51) **LOC (10) Cl.** **06-04**

(74) *Attorney, Agent, or Firm* — Edgar A. Zarins; Nirav D. Parikh

(52) **U.S. Cl.**
USPC **D6/549**

(57) **CLAIM**

(58) **Field of Classification Search**
USPC D6/518–524, 546–550, 574; D8/300,
D8/315, 370; 108/28–29; 211/13.1, 16,
211/85.5, 86.01, 87.01, 88.04, 100, 105.1,
211/105.2, 106, 106.1, 113, 123, 181.1,
211/182–183; 242/570, 590, 595–598;
248/175, 176.1, 200, 201, 205.1, 251,
248/302, 309.1, 315
CPC A47K 10/10; A47K 10/04; A47K 2201/02;
A47K 2201/00; Y10S 16/40; Y10S 16/41;
Y10T 16/458; Y10T 16/462; Y10T
16/513

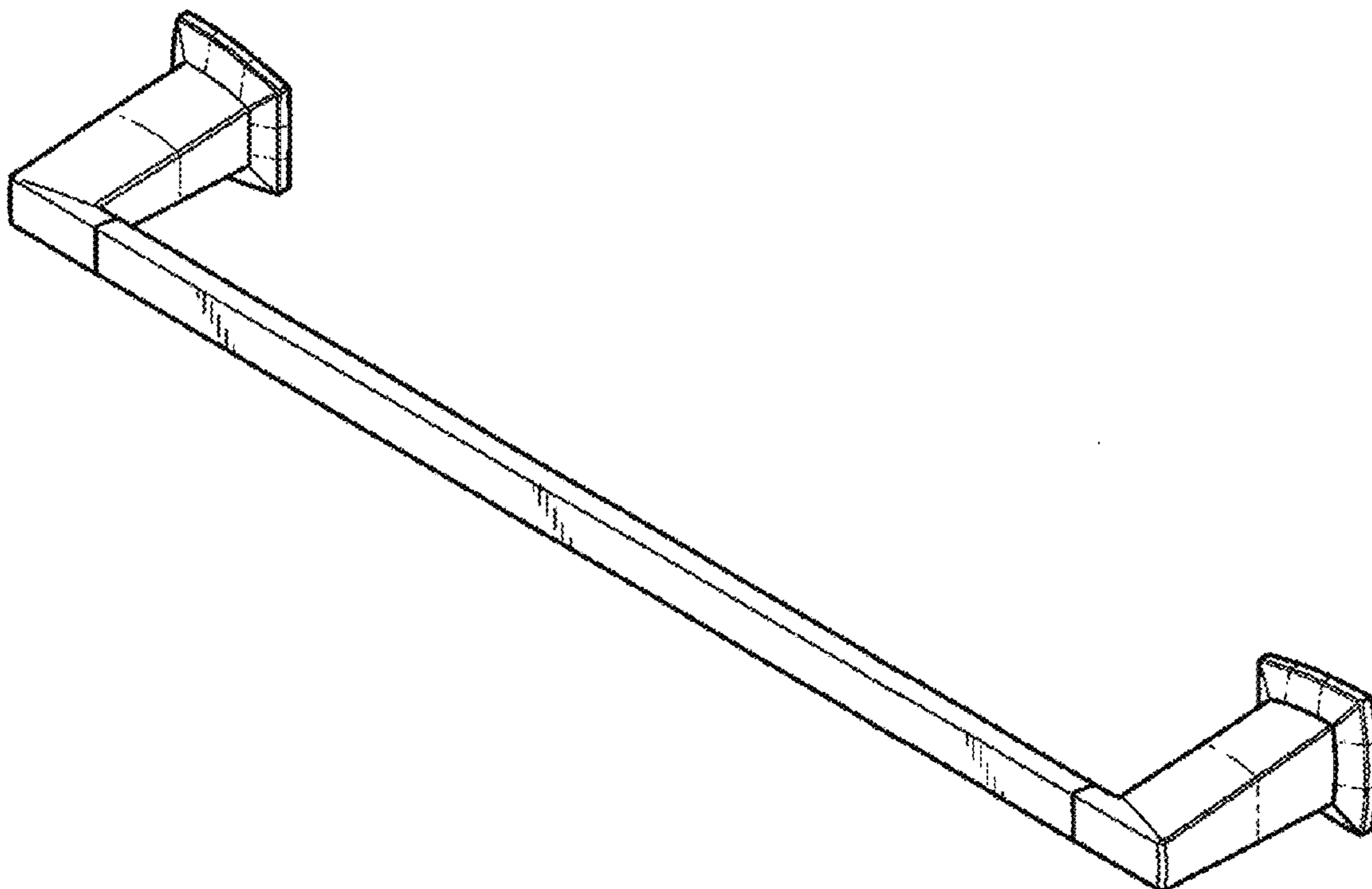
The ornamental design for a towel bar, as shown and described.

DESCRIPTION

FIG. 1 is a perspective view of a towel bar showing my new design;
FIG. 2 is a front elevational view thereof;
FIG. 3 is a top plan view thereof, the opposite side being a mirror image of the side shown; and,
FIG. 4 is a left end view thereof, the opposite end being a mirror image of the end shown.

See application file for complete search history.

1 Claim, 1 Drawing Sheet



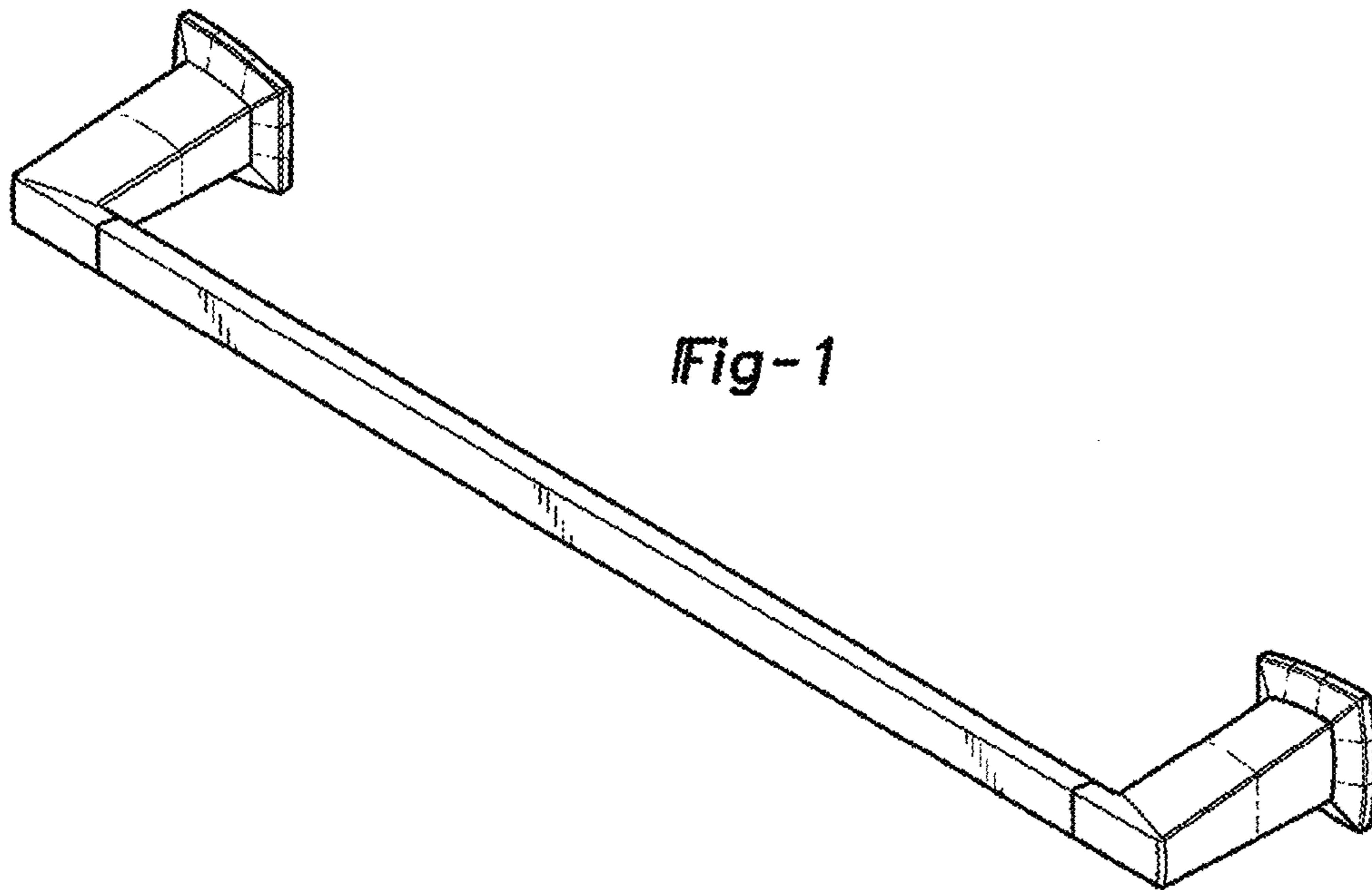


Fig-1

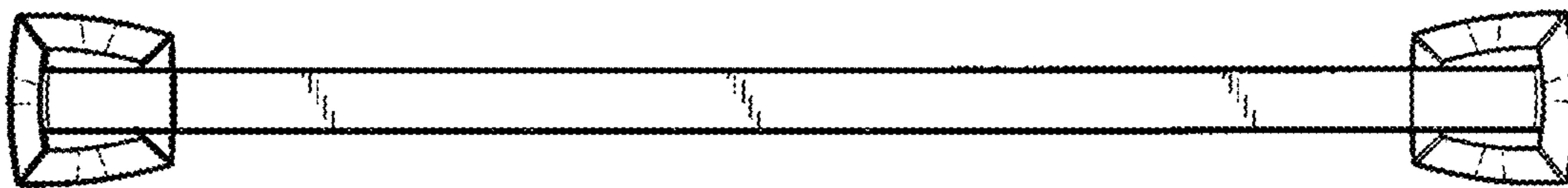


Fig-2

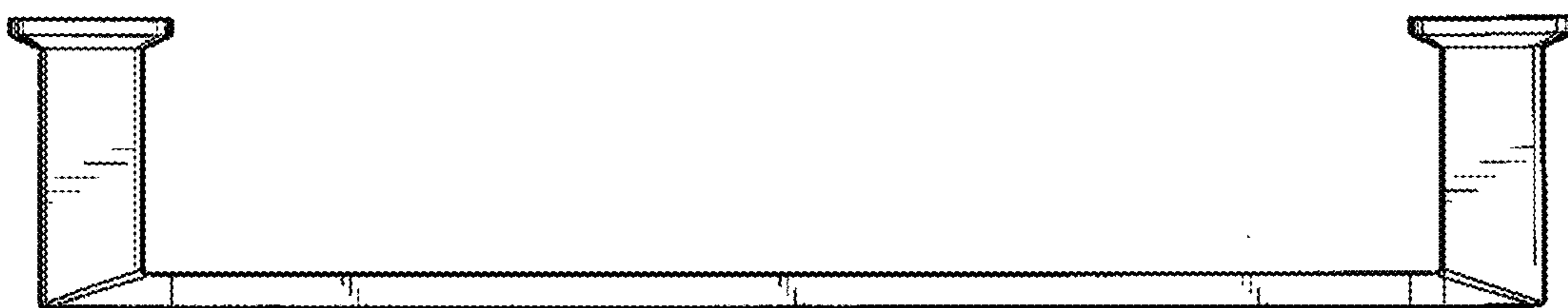


Fig-3

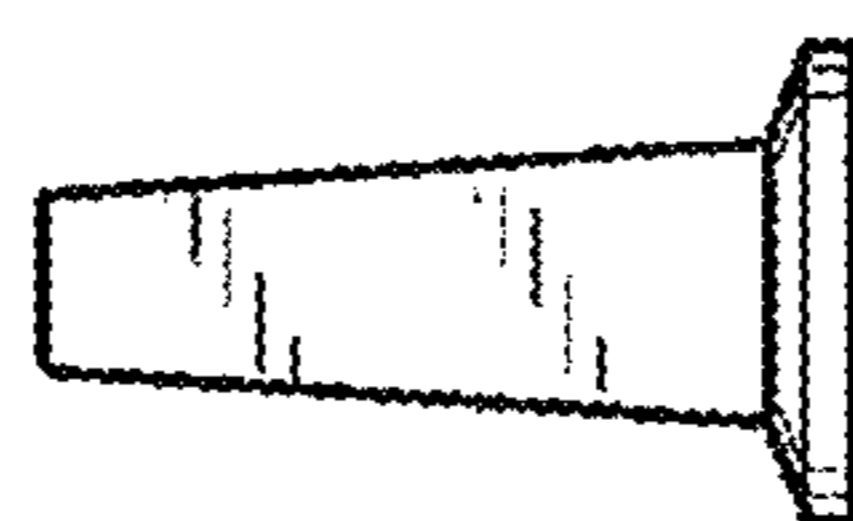


Fig-4