



US00D784727S

(12) **United States Design Patent**
Goodman et al.

(10) **Patent No.:** **US D784,727 S**

(45) **Date of Patent:** **** Apr. 25, 2017**

(54) **TOWEL BAR**

(71) Applicant: **Spectrum Diversified Designs, LLC**,
Streetsboro, OH (US)

(72) Inventors: **Aaron D. Goodman**, Beachwood, OH
(US); **Phaysouk Xayoiphonh**, Akron,
OH (US)

(73) Assignee: **Spectrum Diversified Designs, LLC**,
Streetsboro, OH (US)

(**) Term: **15 Years**

(21) Appl. No.: **29/555,552**

(22) Filed: **Feb. 23, 2016**

(51) **LOC (10) Cl.** **06-04**

(52) **U.S. Cl.**
USPC **D6/546; D6/513**

(58) **Field of Classification Search**
USPC D6/518-524, 546-550, 574, 513, 514;
D8/300, 315, 370; 108/28-29; 211/13.1,
211/16, 85.5, 86.01, 87.01, 88.04, 100,
211/105.1, 105.2, 106, 106.1, 113, 123,
211/181.1, 182-183; 242/570, 590,
242/595-598; 248/175, 176.1, 200, 201,
248/205.1, 251, 302, 309.1, 315
CPC A47K 10/10; A47K 10/04; A47K 2201/02;
A47K 2201/00; Y10S 16/40; Y10S 16/41;
Y10T 16/458; Y10T 16/462; Y10T
16/513

See application file for complete search history.

(56) **References Cited**

U.S. PATENT DOCUMENTS

D383,632 S *	9/1997	Goodman	D6/549
D429,587 S *	8/2000	Chen	D6/549
D431,140 S *	9/2000	Kuo	D6/549
D543,062 S *	5/2007	Snell	D6/514
D582,708 S *	12/2008	Goodman	D6/513
D597,774 S *	8/2009	Rubin	D6/549
D705,573 S *	5/2014	Goodman	D6/549

* cited by examiner

Primary Examiner — Wan Laymon

Assistant Examiner — Mark Booker

(74) *Attorney, Agent, or Firm* — Benesch, Friedlander,
Coplan & Aronoff LLP

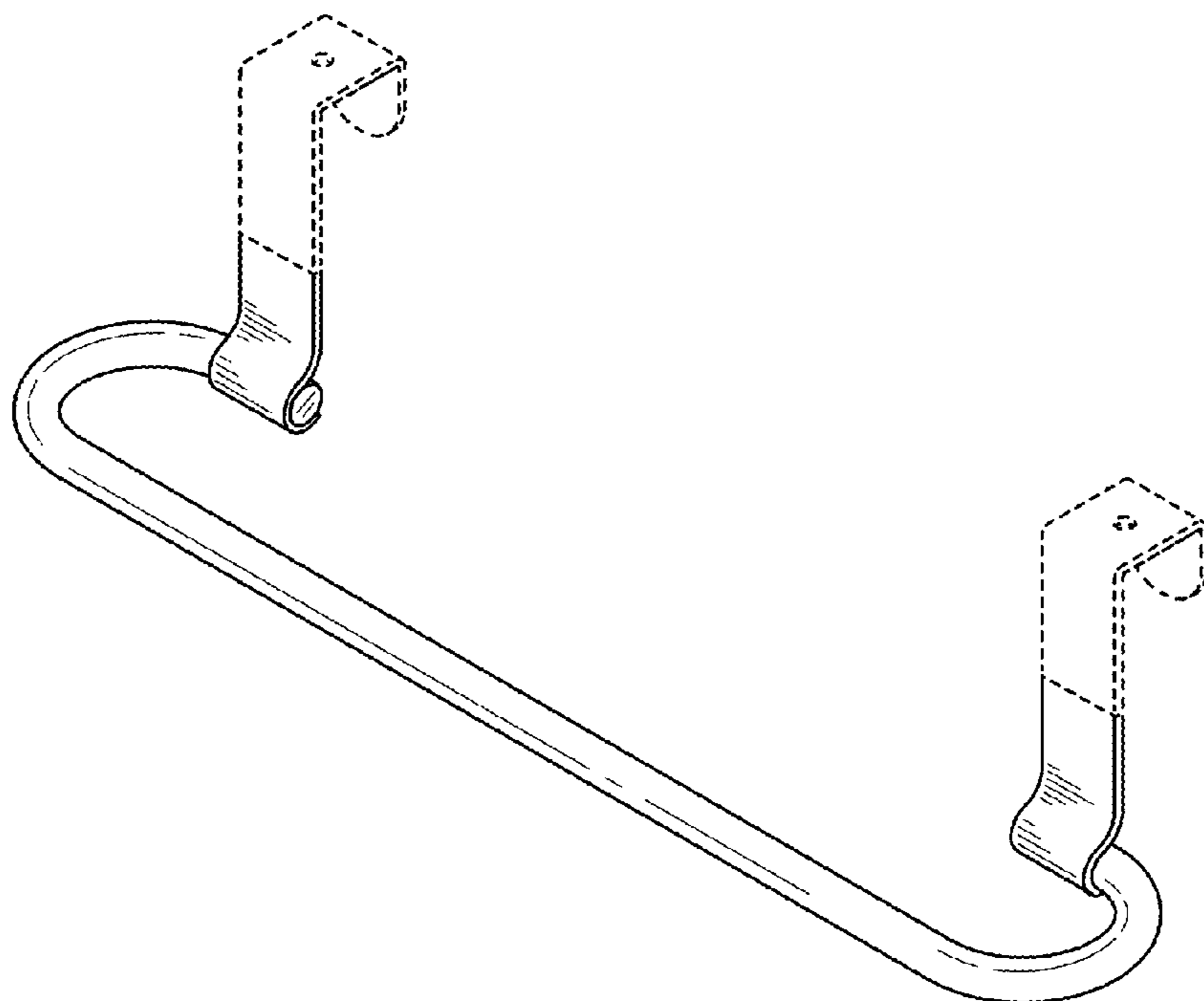
(57) **CLAIM**

What is claimed is the ornamental design for a towel bar, as
shown and described.

DESCRIPTION

FIG. 1 is a perspective view of a towel bar showing a new
design;
FIG. 2 is a front view of the towel bar of FIG. 1;
FIG. 3 is a rear view of the towel bar of FIG. 1;
FIG. 4 is a side view of the towel bar of FIG. 1;
FIG. 5 is a top view of the towel bar of FIG. 1; and,
FIG. 6 is a bottom view of the towel bar of FIG. 1.
The components of the display shown in broken lines
illustrate portions of the towel bar form no part of the
claimed design.

1 Claim, 4 Drawing Sheets



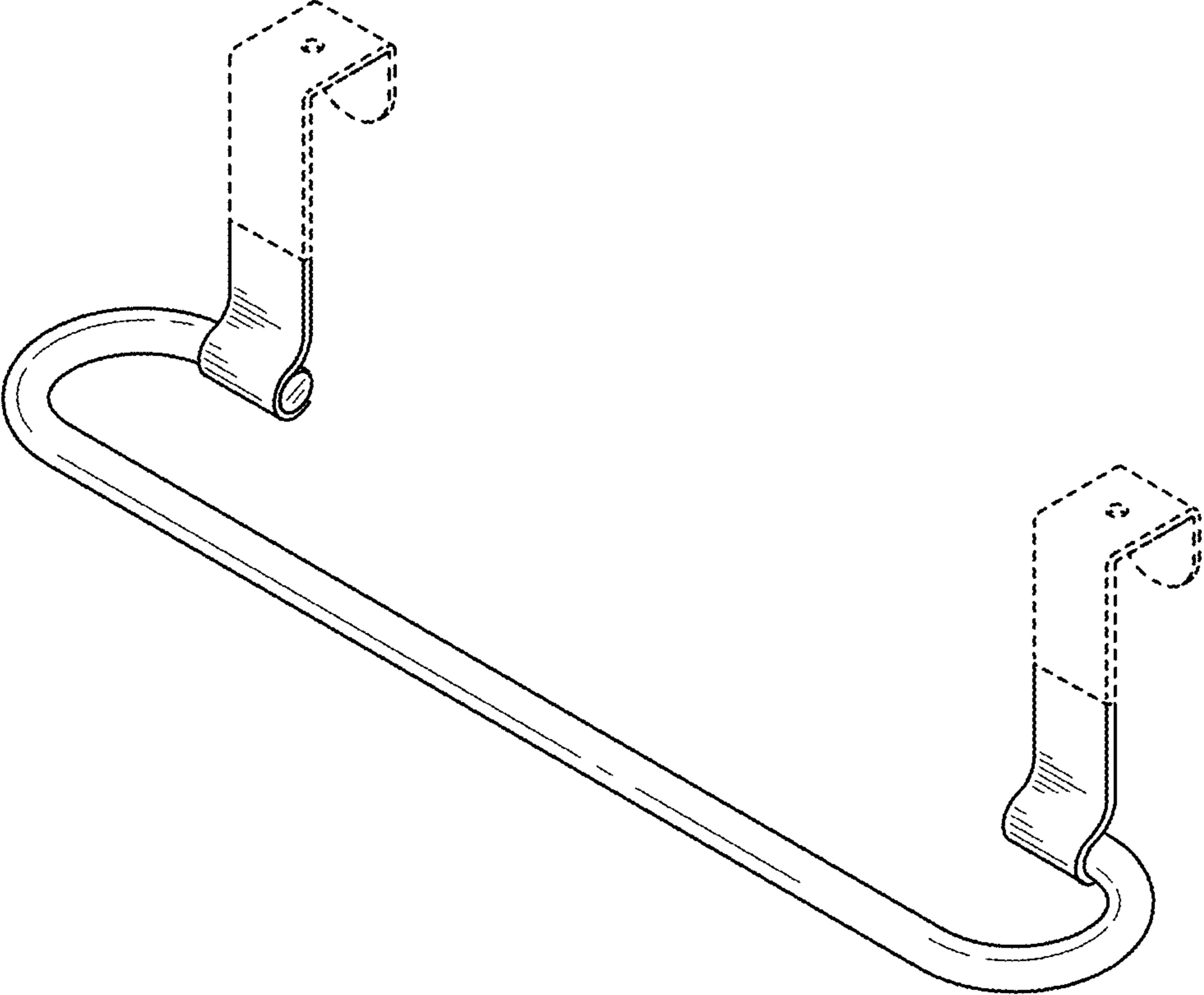


FIG. 1

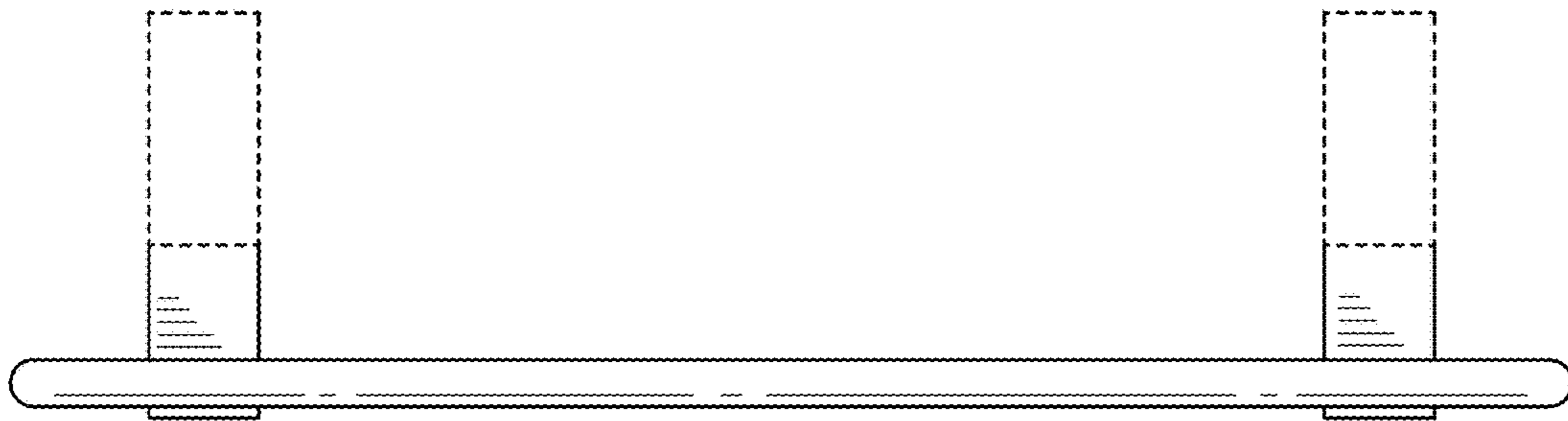


FIG. 2

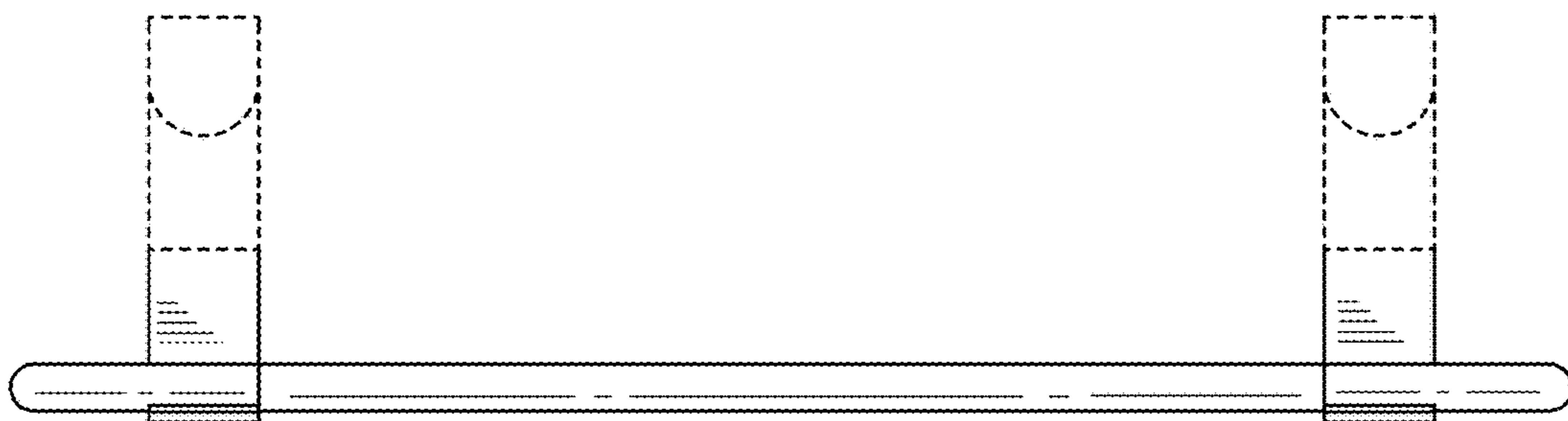


FIG. 3

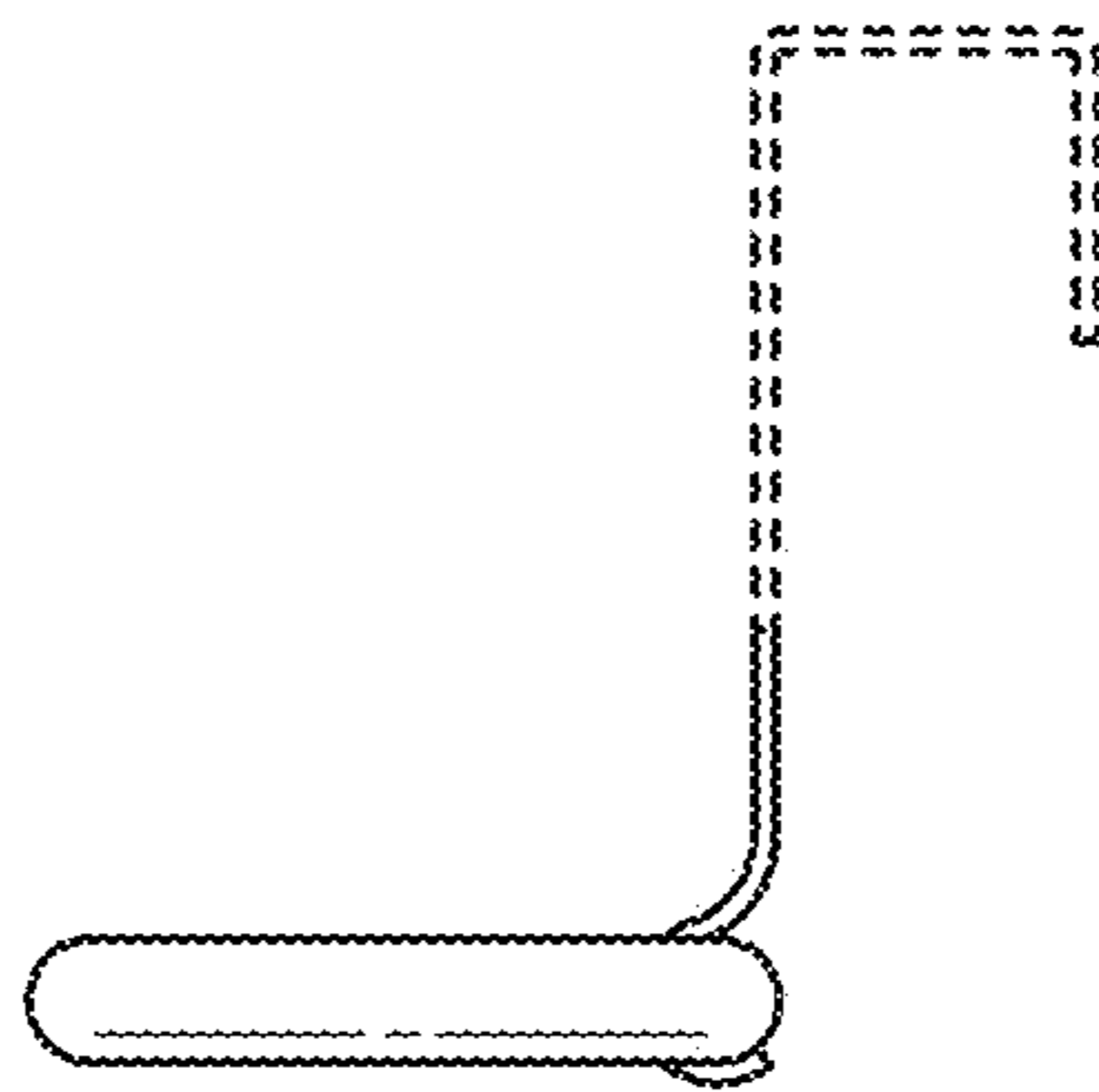


FIG. 4

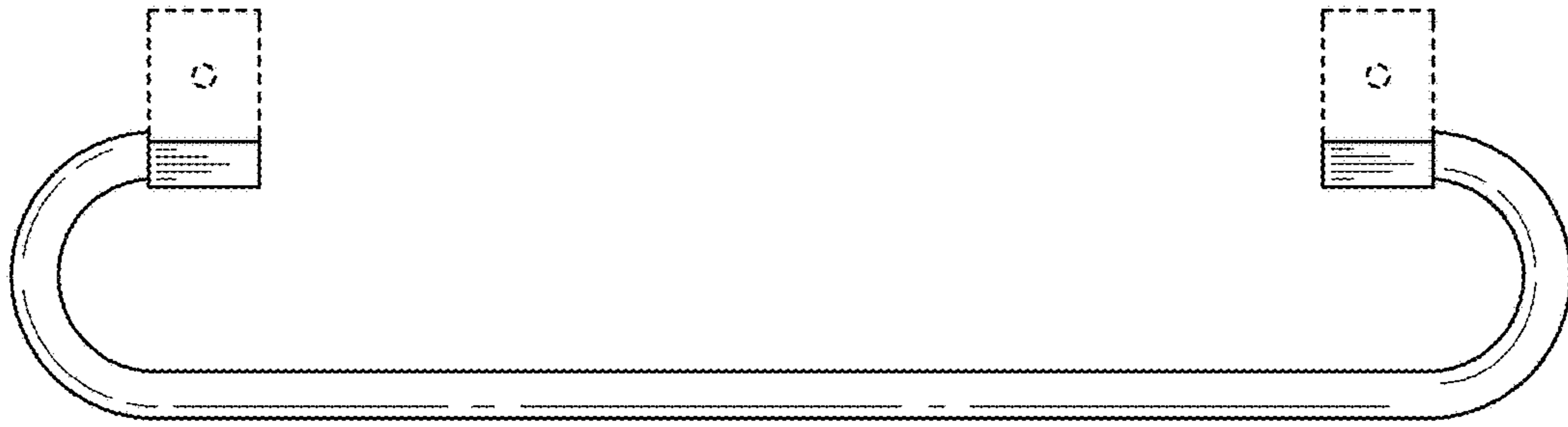


FIG. 5

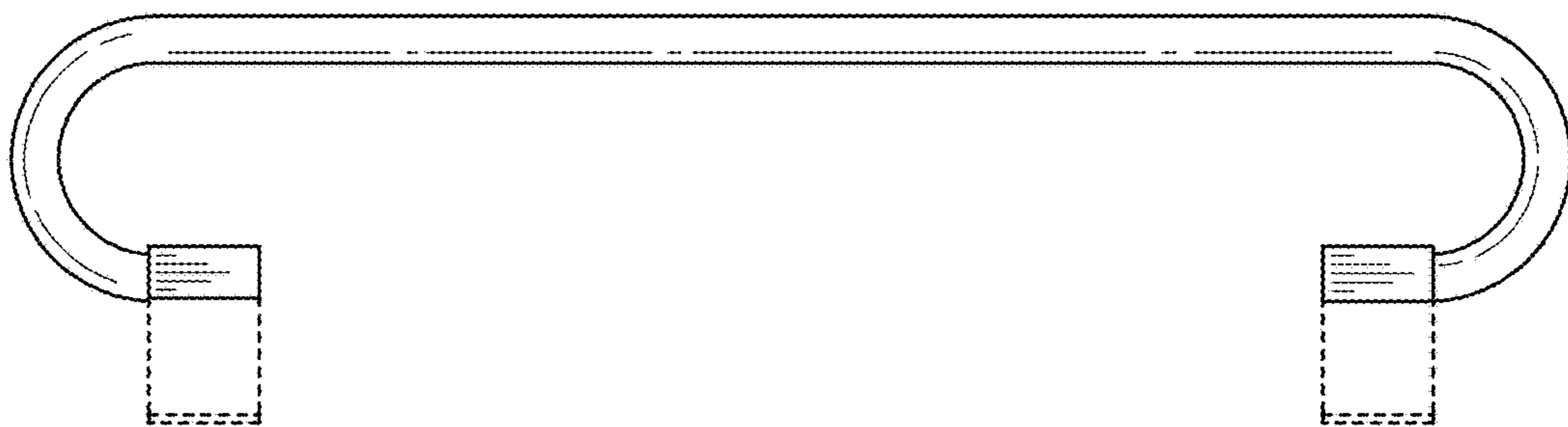


FIG. 6