



US00D784726S

(12) **United States Design Patent** (10) **Patent No.:** **US D784,726 S**
Boyd (45) **Date of Patent:** **** Apr. 25, 2017**

(54) **DISPENSER FOR DISPENSING CLEANING SOLUTIONS**

5,238,155 A 8/1993 Blake, III
D343,974 S * 2/1994 Sz-Hsing D6/524
5,363,993 A 11/1994 Mascitelli et al.
5,445,288 A 8/1995 Banks
5,489,044 A 2/1996 Ophardt
D378,642 S * 4/1997 DeGennaro D6/542

(71) Applicant: **Buckeye International, Inc.**, Maryland Heights, MO (US)

(72) Inventor: **Scott D. Boyd**, St. Louis, MO (US)

(73) Assignee: **Buckeye International, Inc.**, Maryland Heights, MO (US)

(**) Term: **14 Years**

(21) Appl. No.: **29/512,859**

(22) Filed: **Dec. 23, 2014**

(51) **LOC (10) Cl.** **23-02**

(52) **U.S. Cl.**
USPC **D6/544**

(58) **Field of Classification Search**
USPC D6/512, 524, 542, 543, 544, 545
CPC A47F 1/085; A47G 19/24; A47G 21/12;
B65D 83/267; B65D 23/003; B65D
83/40; B65D 77/065; B67D 3/0029;
A47K 5/1217; A47K 5/02; B05B 11/062
See application file for complete search history.

(56) **References Cited**

U.S. PATENT DOCUMENTS

2,591,969 A 4/1952 Sawchuk
2,772,116 A 11/1956 Dobkin
3,233,787 A 2/1966 Ross
3,653,554 A 4/1972 Turben
4,161,265 A 7/1979 Hauser et al.
4,164,306 A 8/1979 Perrin
D286,348 S * 10/1986 Gaudet, Sr. D6/516
4,673,109 A 6/1987 Cassia
4,901,925 A 2/1990 Blake, III
4,978,035 A 12/1990 Morane et al.
D324,619 S * 3/1992 Comstock D6/544
D331,165 S * 11/1992 Rooks D6/515
5,207,355 A 5/1993 Thomsen

FOREIGN PATENT DOCUMENTS

DE 10316692 B3 11/2004
EP 0722780 A2 7/1996
(Continued)

OTHER PUBLICATIONS

Best Sanitizers, Inc. brochure, Sanishot Manual Hand Care Dispenser, (date unknown, but at least as early as 2006), 2 pages.
(Continued)

Primary Examiner — John Windmuller
Assistant Examiner — Steven Czyz
(74) *Attorney, Agent, or Firm* — Senniger Powers LLP

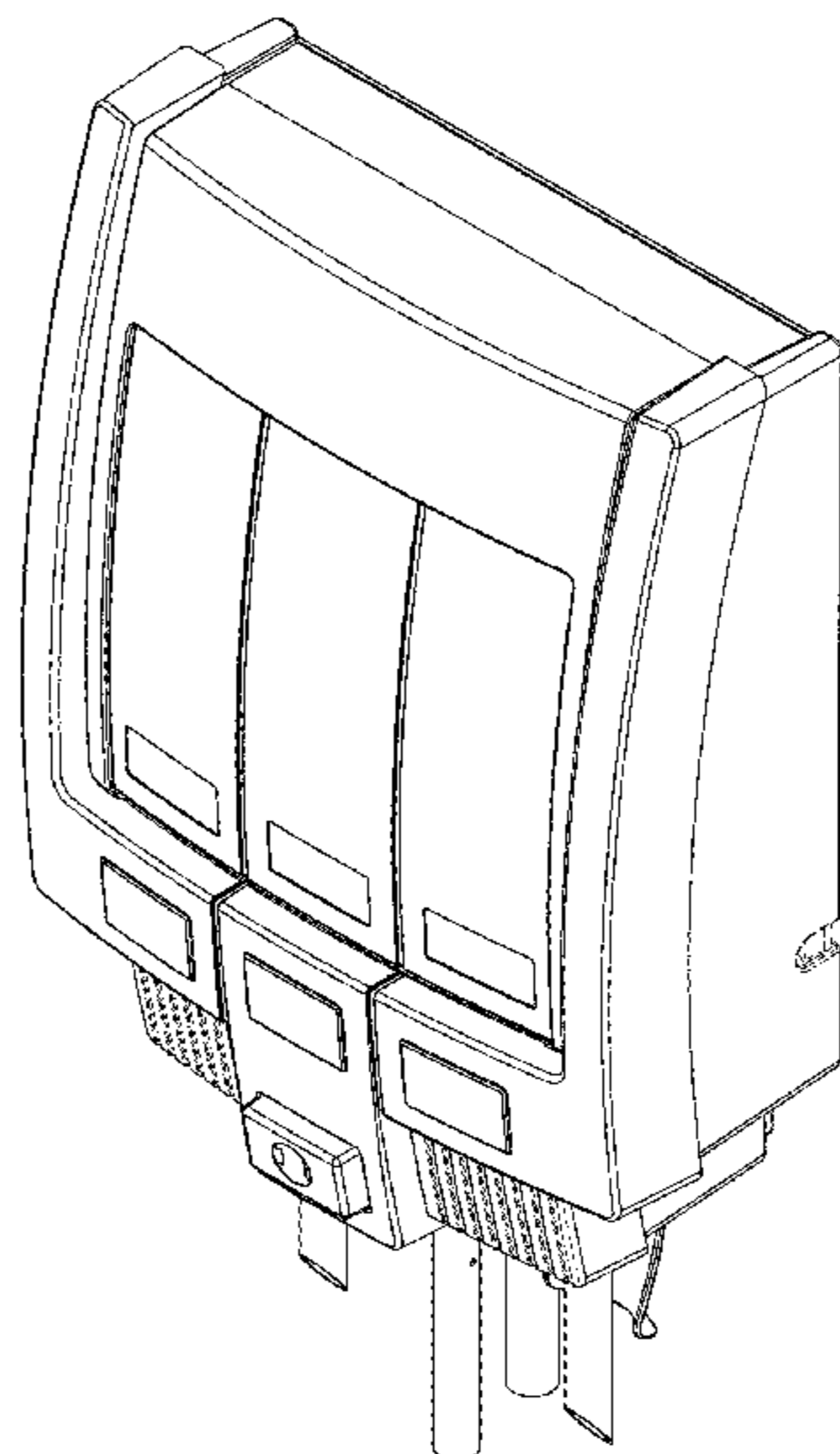
(57) **CLAIM**

The ornamental design for a dispenser for dispensing cleaning solutions, as shown and described.

DESCRIPTION

FIG. 1 is a perspective view of a dispenser for dispensing cleaning solutions of the present invention; FIG. 2 is a front view of the dispenser of FIG. 1, the rear view forming no part of the invention; FIG. 3 is a right side elevation of the dispenser of FIG. 1, the left side elevation being a mirror image thereof; FIG. 4 is a top plan of the dispenser of FIG. 1; and, FIG. 5 is a bottom plan of the dispenser of FIG. 1. The broken lines depict portions of the article that form no part of the claimed design.

1 Claim, 4 Drawing Sheets



(56)

References Cited

U.S. PATENT DOCUMENTS

D386,344 S * 11/1997 Brandenburg D6/544
 D395,972 S * 7/1998 Levy D20/42
 5,842,609 A * 12/1998 Higgins A47K 5/1204
 137/513.5
 6,082,586 A 7/2000 Banks
 6,082,593 A * 7/2000 Borchers A47K 5/1207
 222/181.3
 6,102,253 A 8/2000 Gallina et al.
 6,237,812 B1 5/2001 Fukada
 6,321,943 B1 11/2001 Strickler et al.
 D465,367 S * 11/2002 Pruijssers D6/544
 7,568,598 B2 8/2009 Ophardt et al.
 D599,501 S * 9/2009 Dawkins D28/73
 7,611,033 B2 11/2009 Ganzeboom
 7,780,039 B2 8/2010 Criswell et al.
 8,113,388 B2 2/2012 Ophardt et al.
 8,261,945 B2 9/2012 Haworth
 8,336,740 B1 12/2012 Daansen
 8,505,776 B2 8/2013 Criswell et al.

8,863,989 B2 10/2014 Criswell et al.
 D717,069 S * 11/2014 Cheng D6/544
 D742,137 S * 11/2015 Criswell D6/544
 2005/0006409 A1 1/2005 Ganzeboom
 2005/0284888 A1 12/2005 Rhodenbaugh et al.
 2009/0057345 A1 3/2009 Dukes

FOREIGN PATENT DOCUMENTS

EP 1334683 A1 8/2003
 WO 9712686 4/1997
 WO 03059524 A1 7/2003

OTHER PUBLICATIONS

Stoko SkinCare brochure, Stoko Refresh Foam Soap dispenser, 2004, 3 pages, Stockhausen, Inc.
 Bentfield Foam Soap Dispenser brochure, (date unknown, but at least as early as 2006), 2 pages.

* cited by examiner

FIG. 1

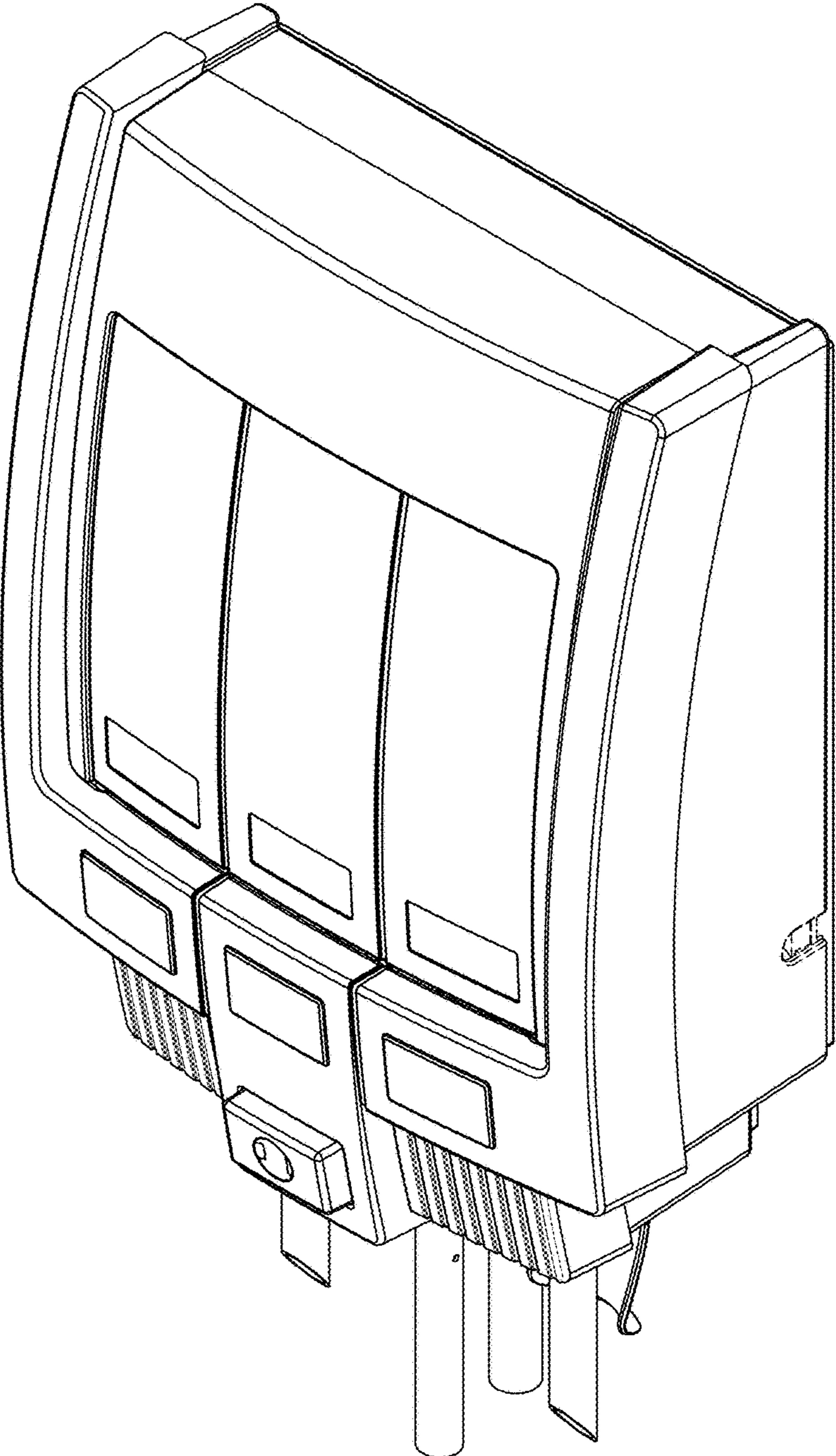


FIG. 2

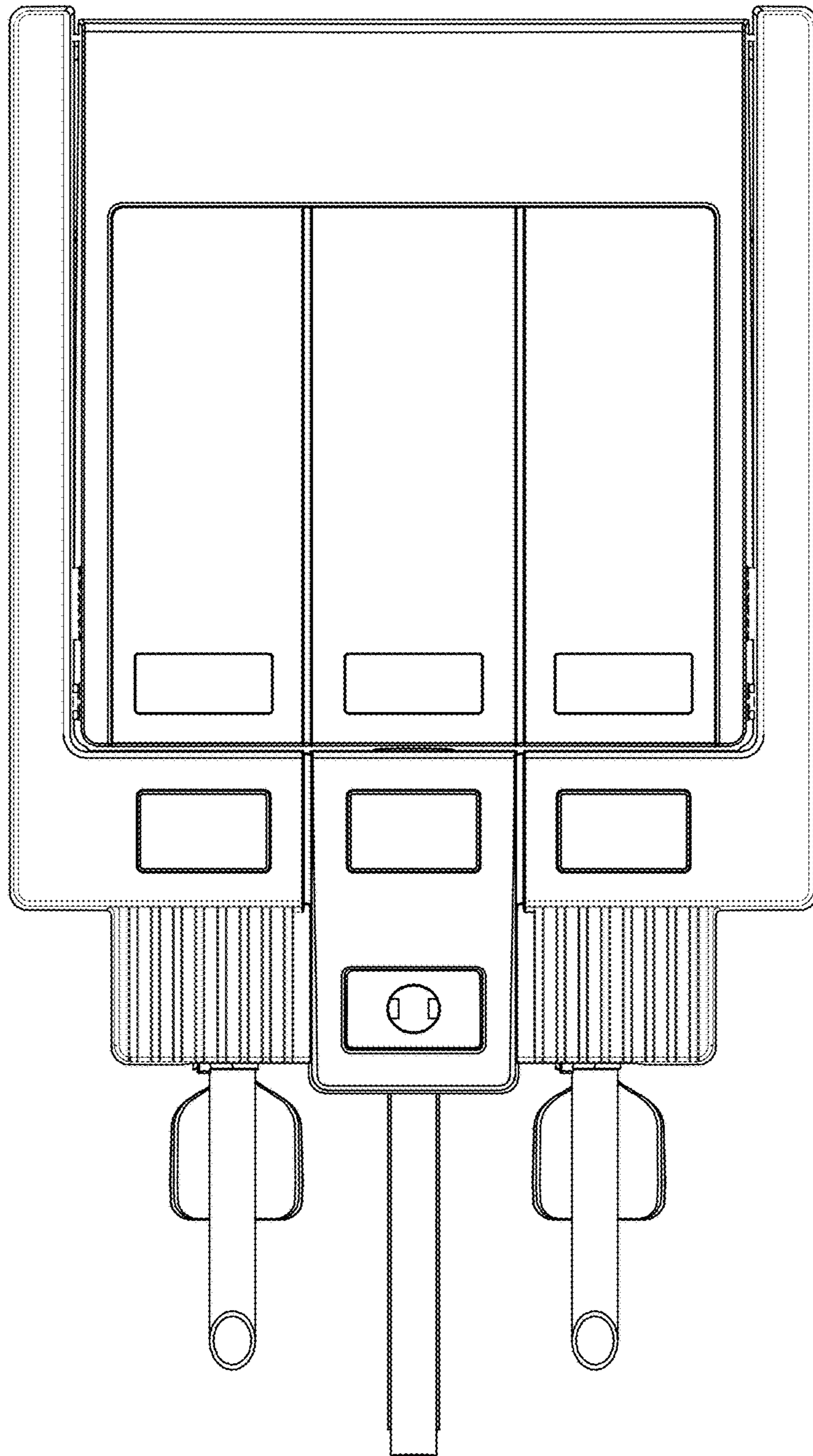


FIG. 3

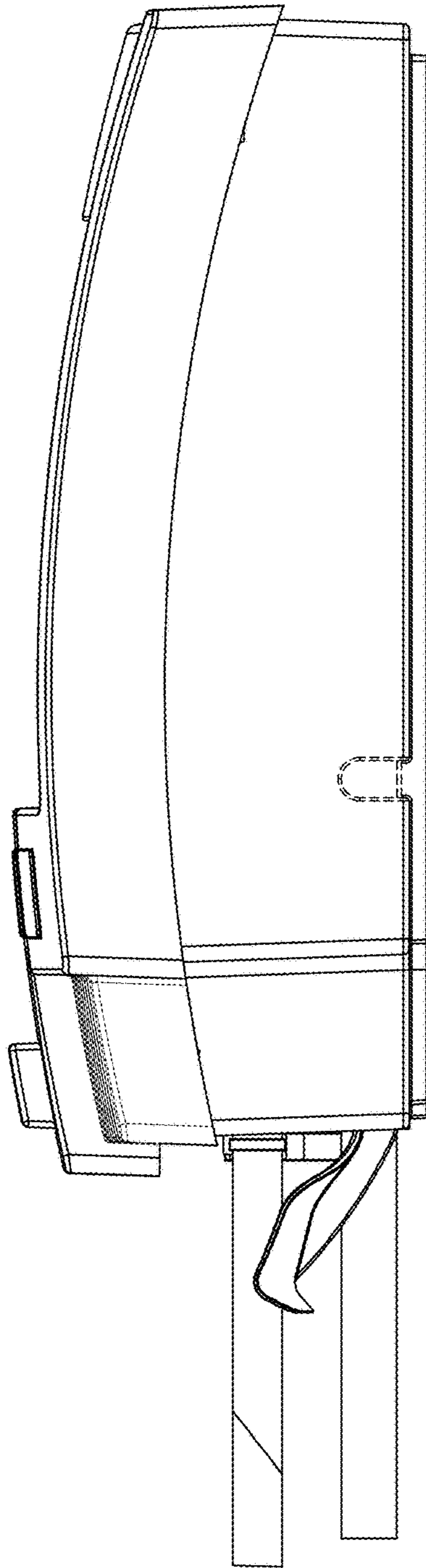


FIG. 4

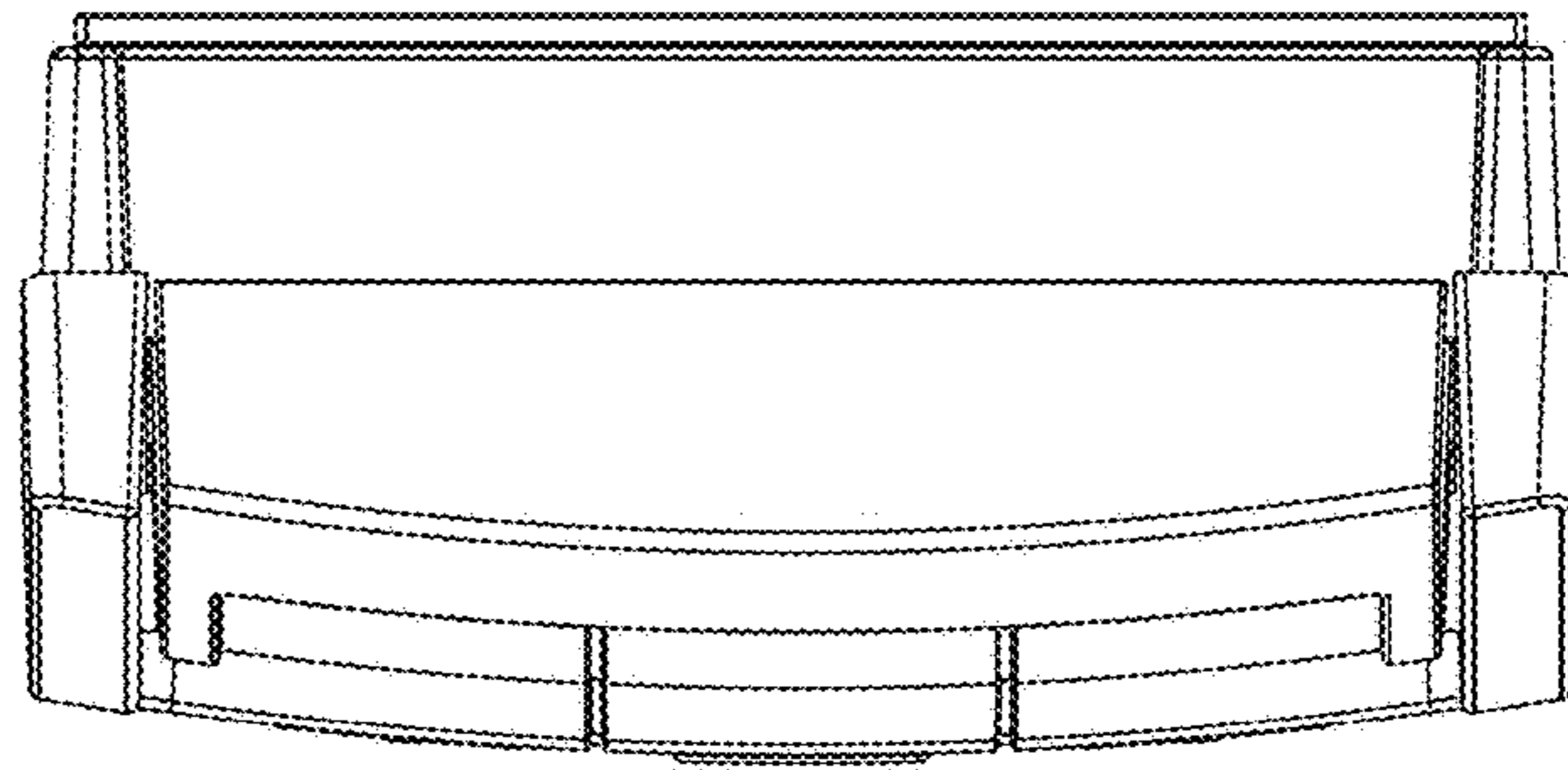


FIG. 5

