



US00D784725S

(12) **United States Design Patent**
Santoro et al.

(10) **Patent No.:** **US D784,725 S**
(45) **Date of Patent:** **** Apr. 25, 2017**

- (54) **DISPENSER ASSEMBLY**
- (71) Applicant: **Vi-Jon, Inc.**, St. Louis, MO (US)
- (72) Inventors: **Donna M. Santoro**, St. Charles, MO (US); **Stephen John Kocis**, Suwanee, GA (US); **Lesley S. Corker**, Atlanta, GA (US); **Stephen Joel Zwonitzer**, Hoschton, GA (US); **Andy Lee Kirkpatrick**, Green Bay, WI (US); **Kacey James Kreuter**, Green Bay, WI (US)
- (73) Assignee: **Vi-Jon, Inc.**, St. Louis, MO (US)
- (**) Term: **14 Years**
- (21) Appl. No.: **29/523,435**
- (22) Filed: **Apr. 9, 2015**
- (51) **LOC (10) Cl.** **23-02**
- (52) **U.S. Cl.**
USPC **D6/542**
- (58) **Field of Classification Search**
USPC D6/542, 543-545; D9/682, 688, 690, D9/291, 448, 449; 221/282, 14, 173, 221/146.3, 628, 251, 181.1, 181.3
CPC B67D 1/001; B67D 1/06; A47K 7/04
See application file for complete search history.

D675,852 S *	2/2013	Bunoz	D6/545
D687,652 S *	8/2013	Lin	D6/542
D728,966 S *	5/2015	Lewis	D6/545
D732,307 S *	6/2015	Enga	D6/542
D732,308 S *	6/2015	Enga	D6/542
D734,055 S *	7/2015	Davis	D6/542

* cited by examiner

Primary Examiner — Wan Laymon
Assistant Examiner — Mark Booker
(74) *Attorney, Agent, or Firm* — Armstrong Teasdale LLP

(57) **CLAIM**

We claim the ornamental design for a dispenser assembly, as shown and described.

DESCRIPTION

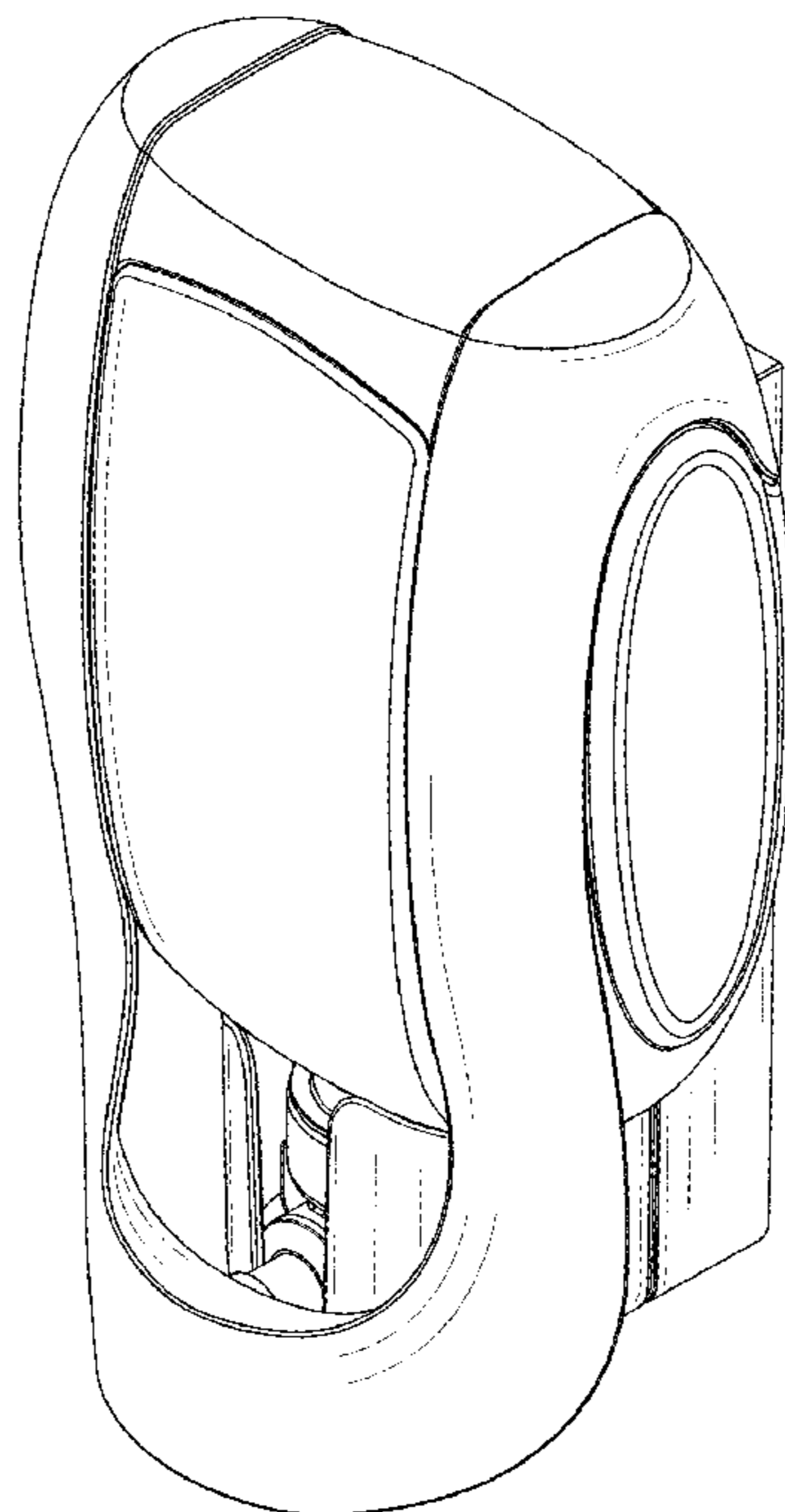
FIG. 1 is a front perspective view of a dispenser assembly showing our new design;
 FIG. 2 is a front view of the dispenser assembly design shown in FIG. 1;
 FIG. 3 is a rear view of the dispenser assembly design shown in FIG. 1;
 FIG. 4 is a right view of the dispenser assembly design shown in FIG. 1;
 FIG. 5 is a left view of the dispenser assembly design shown in FIG. 1;
 FIG. 6 is a top view of the dispenser assembly design shown in FIG. 1;
 FIG. 7 is a bottom view of the dispenser assembly design shown in FIG. 1; and,
 FIG. 8 is a rear perspective view of the dispenser assembly design shown in FIG. 1.
 Portions of the dispenser assembly shown in broken lines form no part of the claimed design.

1 Claim, 8 Drawing Sheets

(56) **References Cited**

U.S. PATENT DOCUMENTS

D458,067 S *	6/2002	Turbett	D6/542
D568,659 S *	5/2008	Ophardt	D6/545
D584,551 S *	1/2009	Carlson	D6/545
D591,544 S *	5/2009	Franjesevic	D6/545



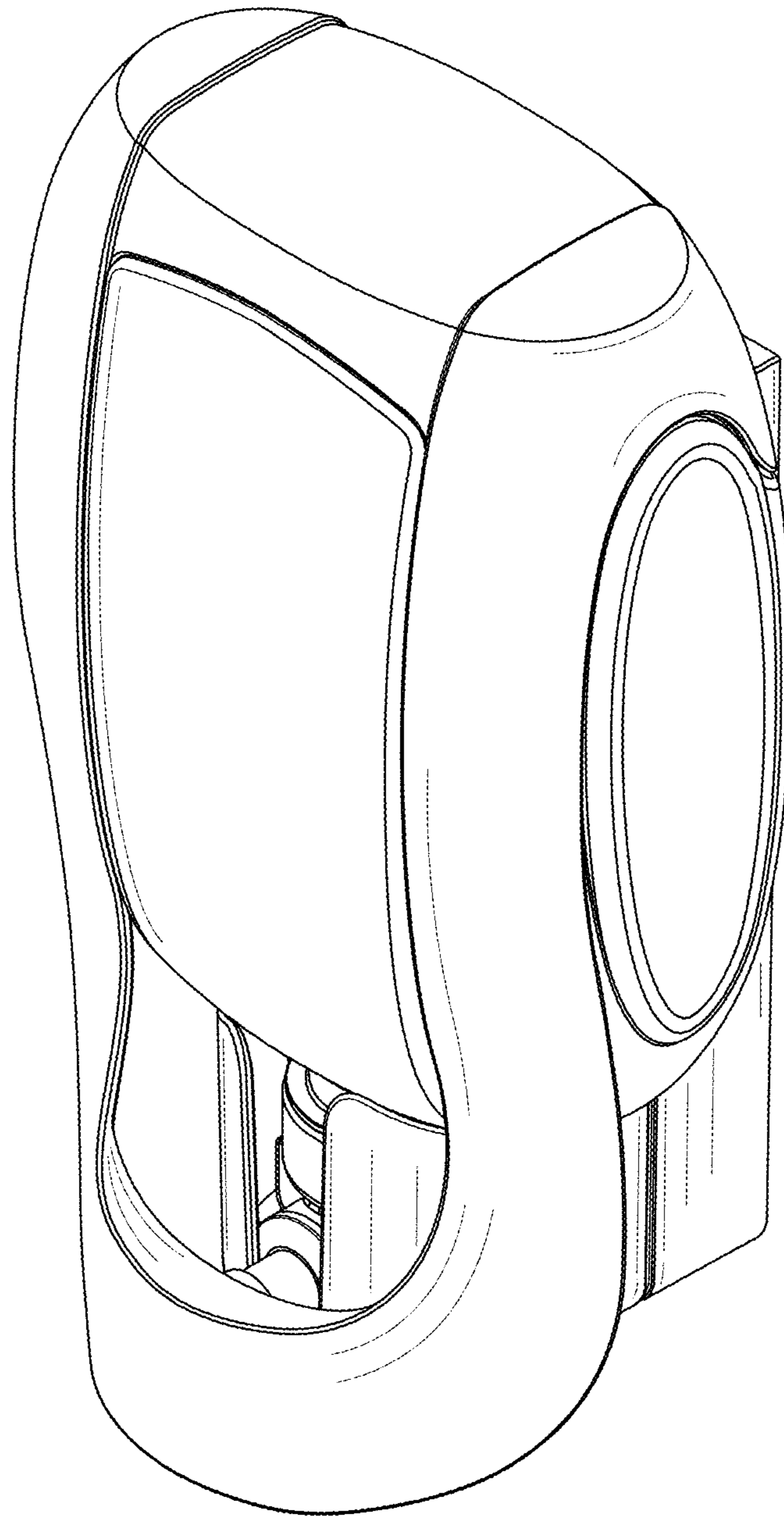


FIG. 1

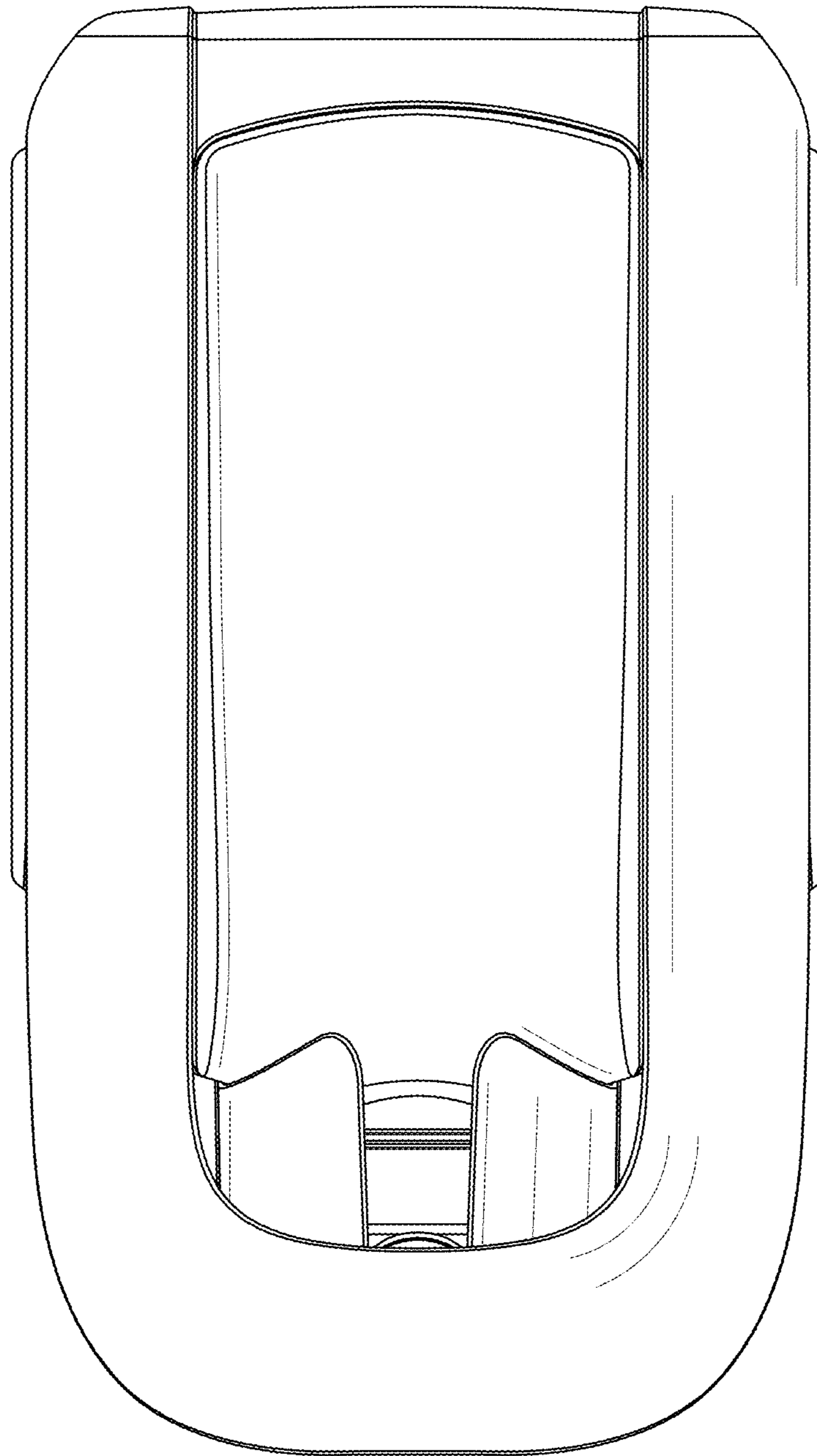


FIG. 2

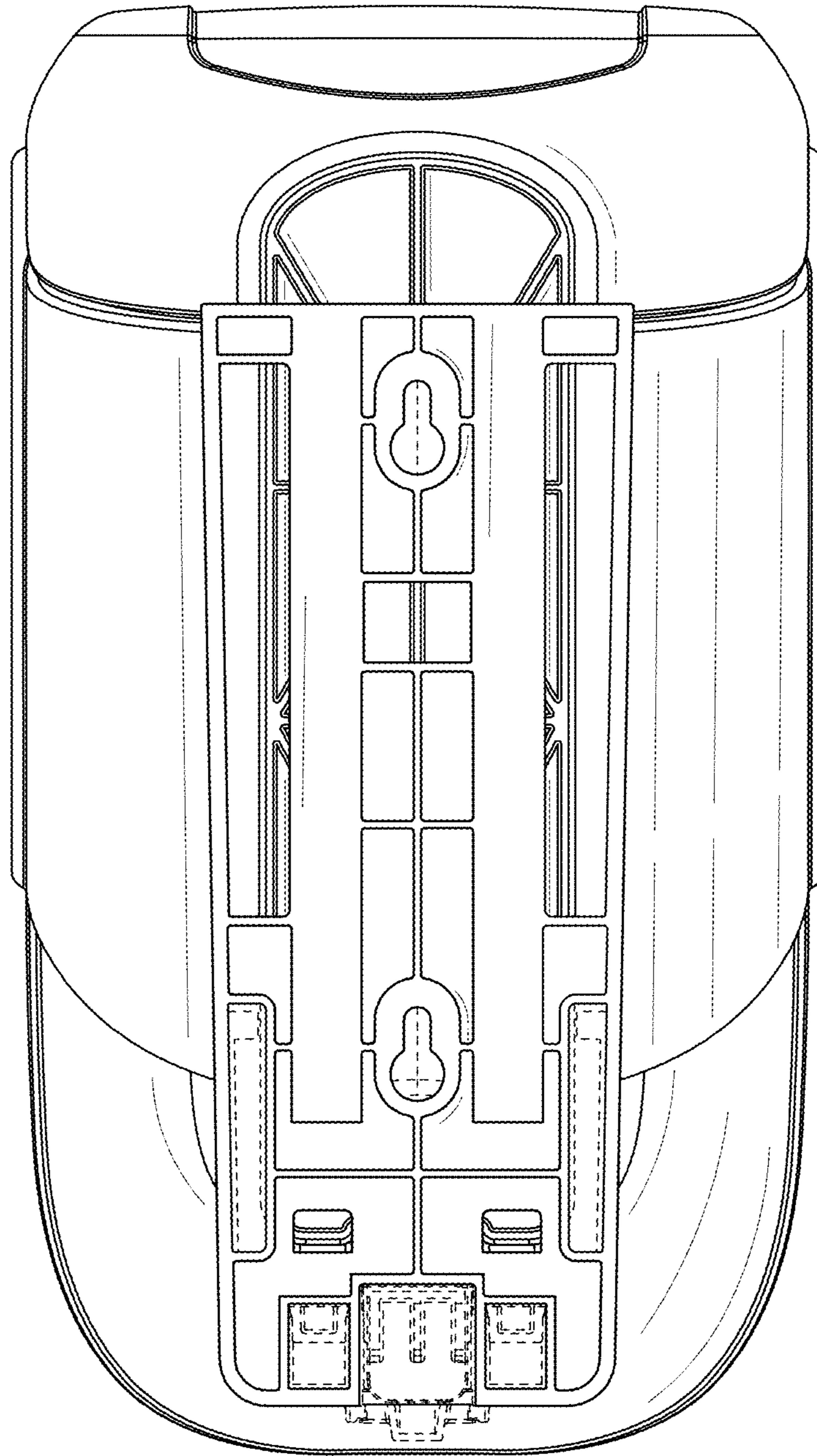


FIG. 3

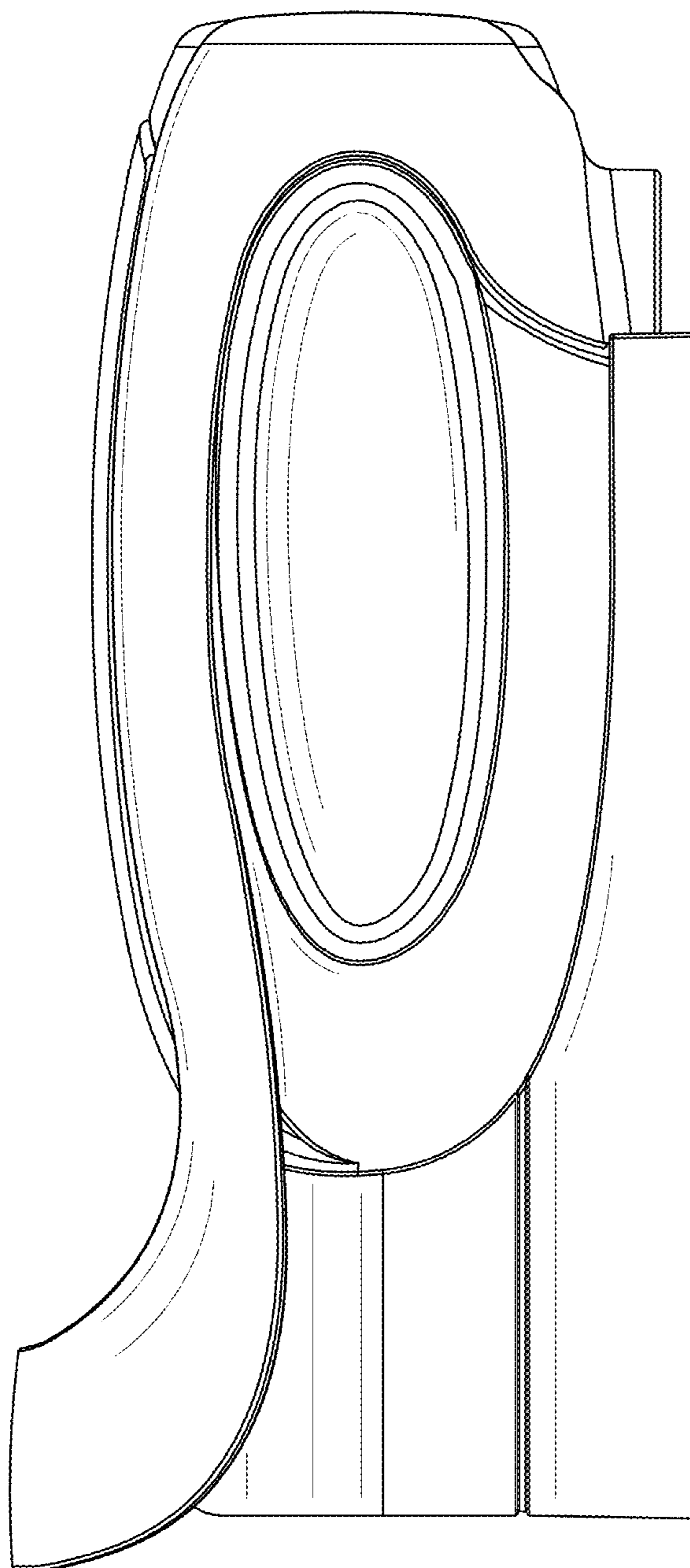


FIG. 4

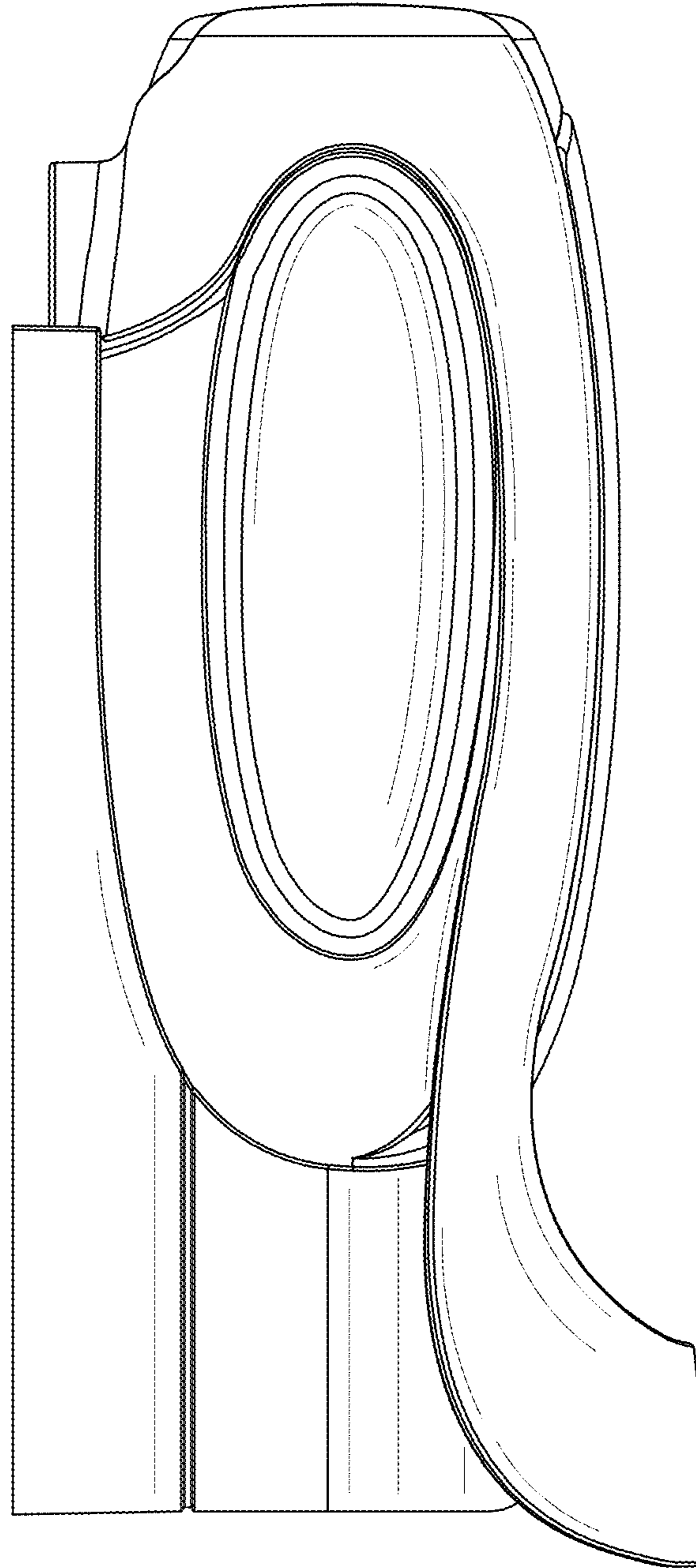


FIG. 5

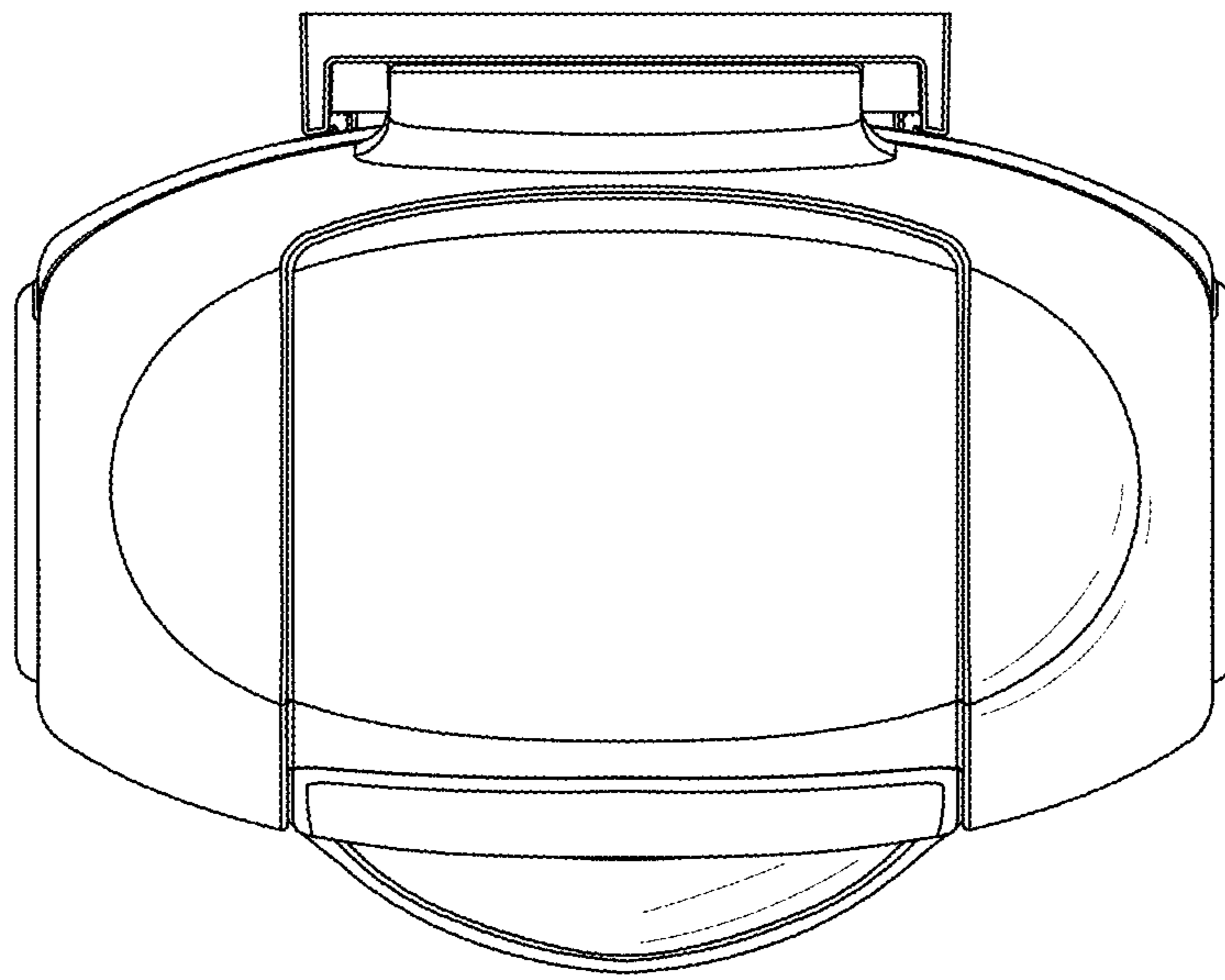


FIG. 6

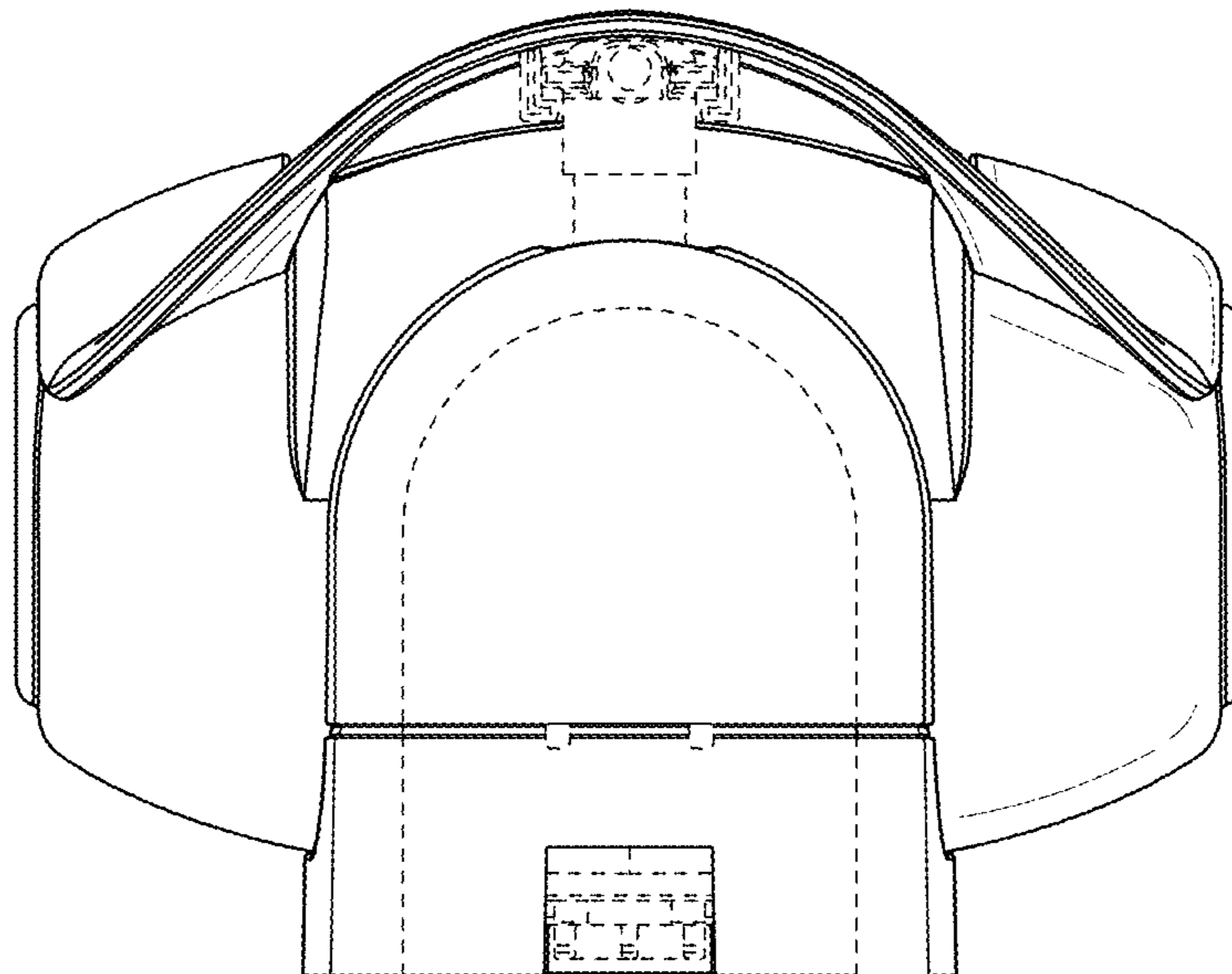


FIG. 7

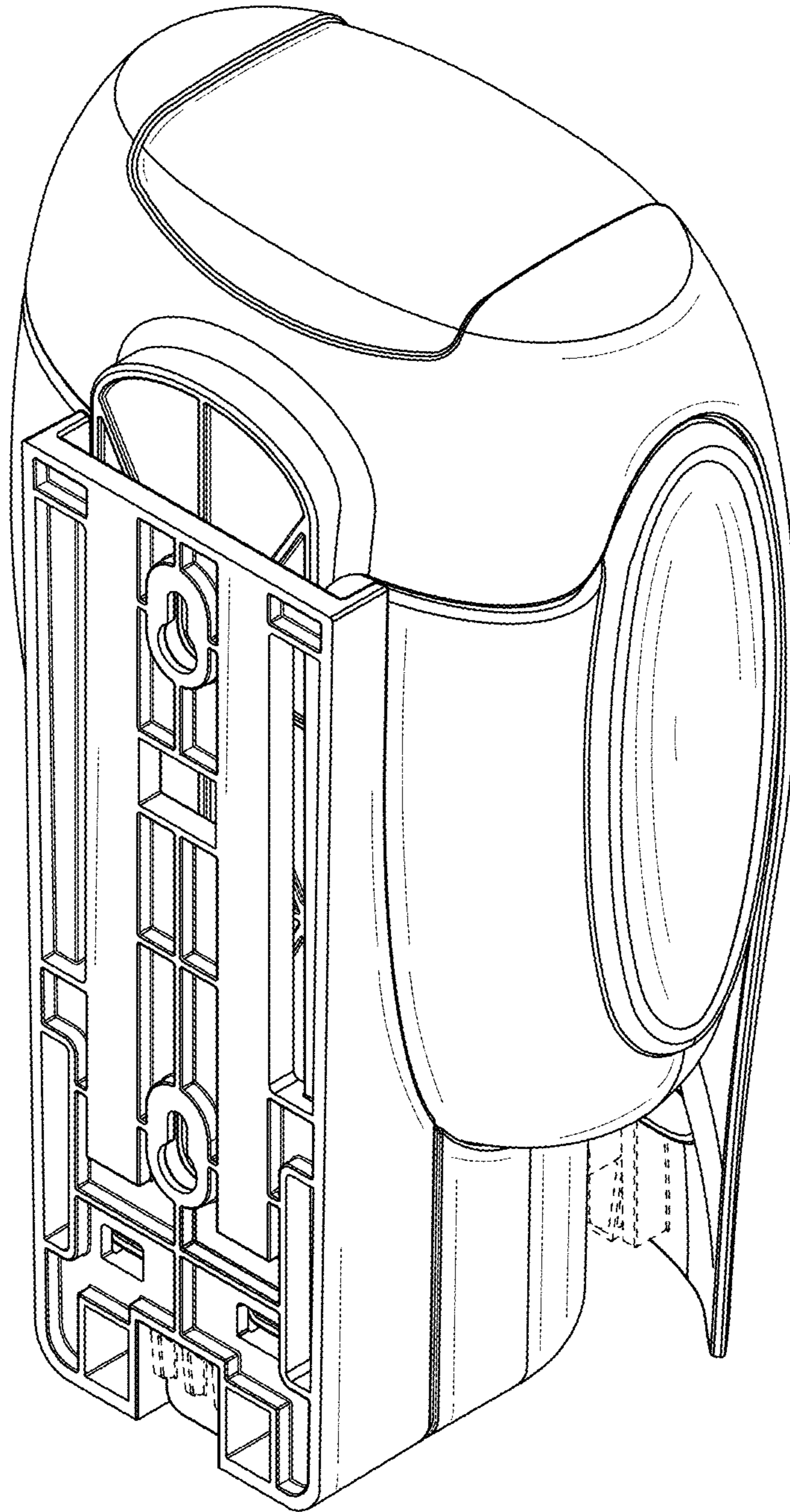


FIG. 8