



US00D784724S

(12) **United States Design Patent**  
**Bunch et al.**

(10) **Patent No.:** **US D784,724 S**  
(45) **Date of Patent:** **\*\* Apr. 25, 2017**

- (54) **TOOTHBRUSH HOLDER**
- (71) Applicant: **Xport Five, LLC**, Paia, HI (US)
- (72) Inventors: **Elizabeth A. Bunch**, Paia, HI (US);  
**Collin Kobayashi**, Honolulu, HI (US)
- (73) Assignee: **Xport Five, LLC**, Paia, HI (US)
- (\*\*) Term: **14 Years**
- (21) Appl. No.: **29/515,569**
- (22) Filed: **Jan. 23, 2015**
- (51) **LOC (10) Cl.** ..... **23-02**
- (52) **U.S. Cl.**  
USPC ..... **D6/534**
- (58) **Field of Classification Search**  
USPC ..... D6/534, 524, 526, 527, 528; 206/208,  
206/228, 209, 209.1, 361, 362, 362.1,  
206/362.2, 362.3; 211/13.1, 66, 70.6,  
211/86.01, 87.01; D1/113; D12/82, 86,  
D12/88, 89, 90, 91, 92, 93, 95; 446/431,  
446/444-456, 465, 468, 470, 471;  
254/423; D21/424, 433, 434  
CPC ..... A47K 1/09; A47K 5/18; A45D 44/18  
See application file for complete search history.

- D481,153 S \* 10/2003 Wilson ..... D26/97
- D547,397 S \* 7/2007 Sasuga ..... D21/555
- D586,936 S \* 2/2009 Nunes ..... D26/73
- 9,039,484 B1 \* 5/2015 Mayson ..... A63H 17/38  
280/47.11
- 2002/0068502 A1 \* 6/2002 Kownacki ..... A63H 17/00  
446/465

**OTHER PUBLICATIONS**

SmileyRides.com website, under development section fire truck;  
Jun. 16, 2016, <http://www.smileyrides.com/#!products/cgmq>.\*

\* cited by examiner

*Primary Examiner* — David Muller  
*Assistant Examiner* — Nathan Johnston  
(74) *Attorney, Agent, or Firm* — K. David Crockett, Esq.;  
Paul J. Backofen, Esq.; Crockett & Crockett, PC

(57) **CLAIM**  
The ornamental design for a toothbrush holder, as shown and described.

**DESCRIPTION**

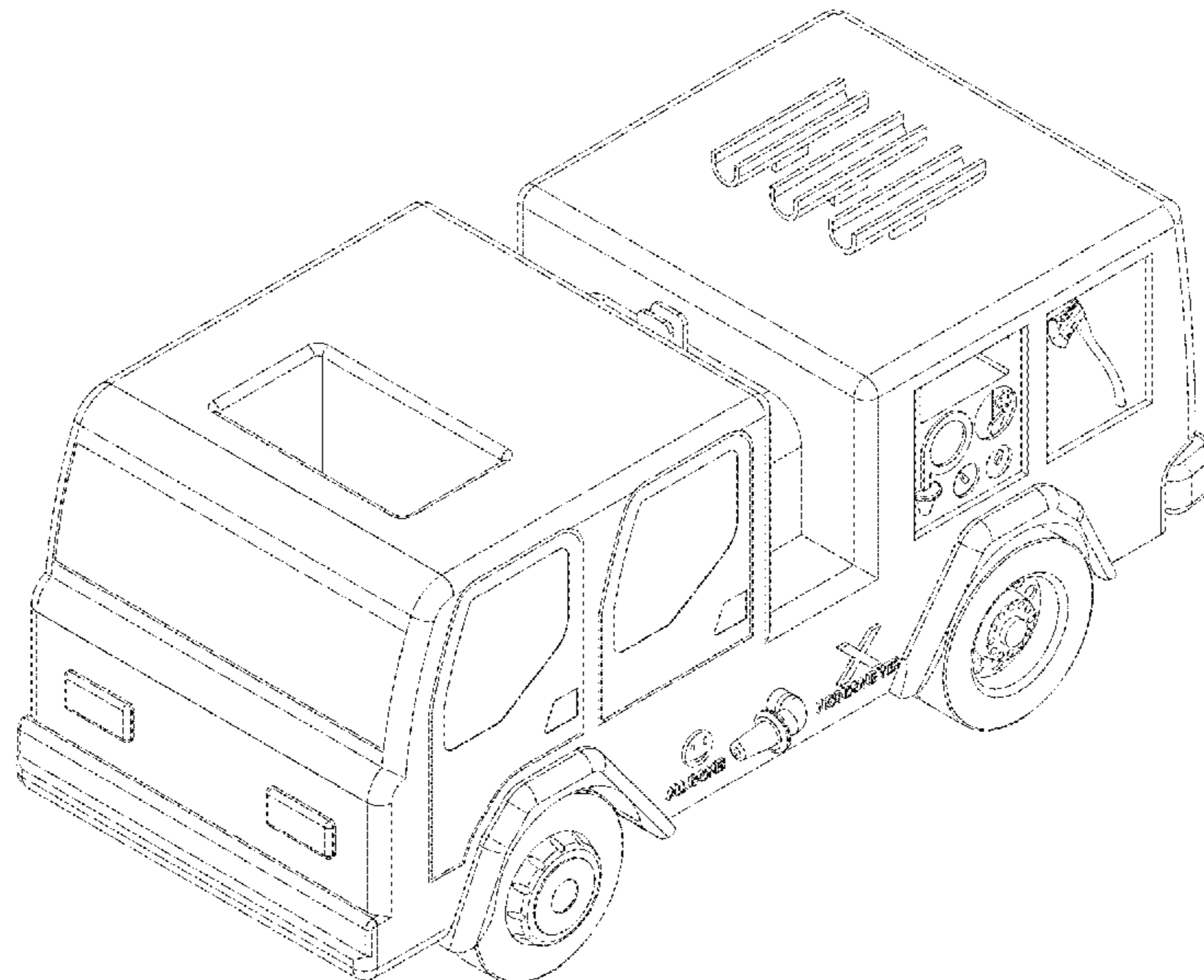
FIG. 1 is a left-front perspective view of a toothbrush holder showing our new design.  
FIG. 2 is a left-rear perspective view thereof.  
FIG. 3 is a left side elevation view thereof.  
FIG. 4 is a right side elevation view thereof.  
FIG. 5 is a front elevation view thereof.  
FIG. 6 is a rear elevation view thereof.  
FIG. 7 is a top plan view thereof.  
FIG. 8 is a bottom plan view thereof.  
FIG. 9 is a right-front perspective view thereof; and,  
FIG. 10 is a right-rear perspective view thereof.  
The broken line showing of toothbrush holder is included for the purpose of illustrating portions of the “article” and forms no part of the claimed design.

**1 Claim, 5 Drawing Sheets**

(56) **References Cited**

**U.S. PATENT DOCUMENTS**

- D201,841 S \* 8/1965 Livingston ..... D21/555
- D205,529 S \* 8/1966 Palmer ..... D21/555
- D227,282 S \* 6/1973 Schreckengost ..... D21/434
- 3,789,869 A \* 2/1974 Morris ..... B66C 23/64  
137/351
- D252,229 S \* 6/1979 Asano ..... D21/556
- D289,535 S \* 4/1987 Wilkes ..... D21/555
- D297,034 S \* 8/1988 Matsumoto ..... D21/580
- D308,351 S \* 6/1990 Fry ..... D12/13



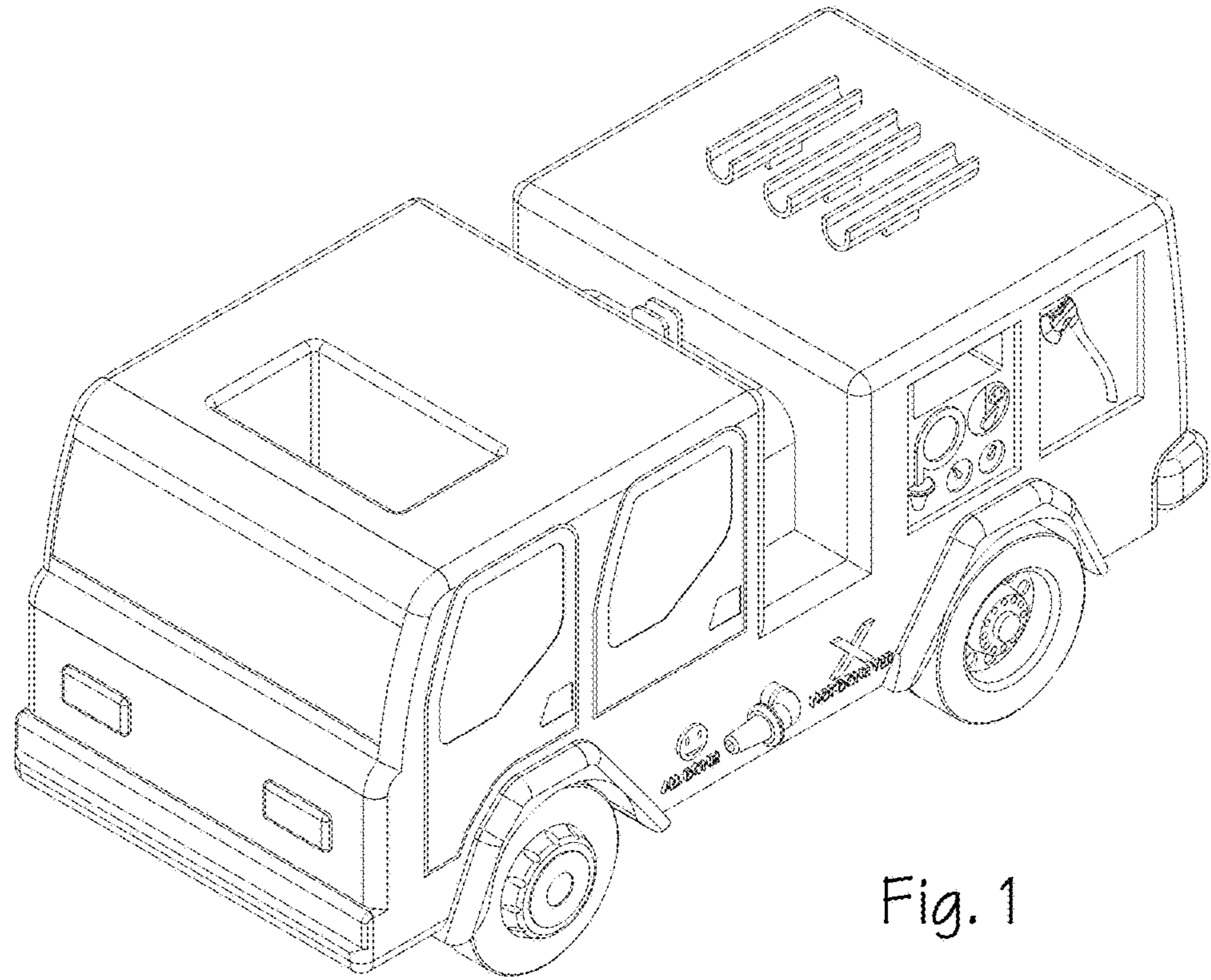


Fig. 1

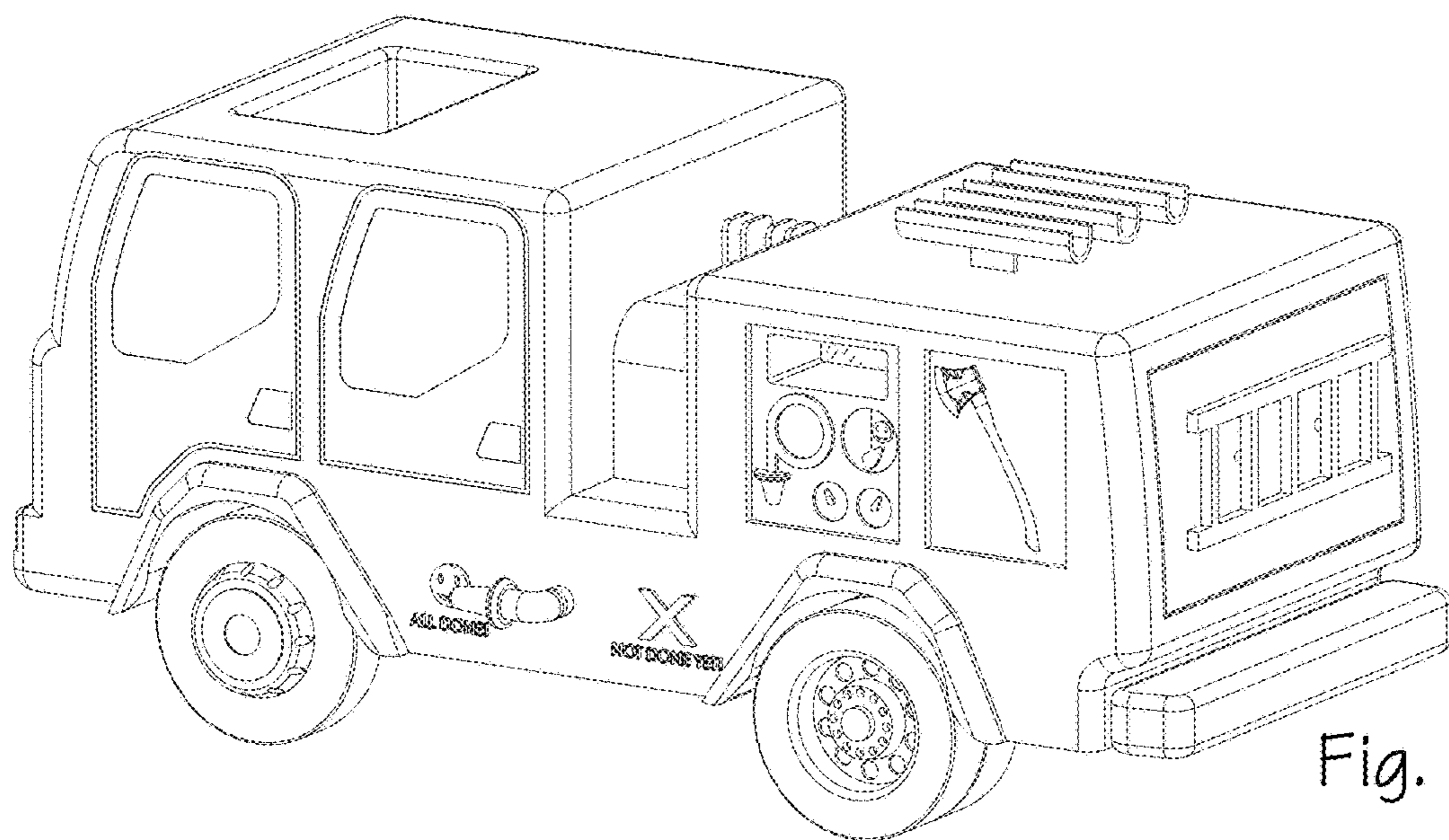


Fig. 2

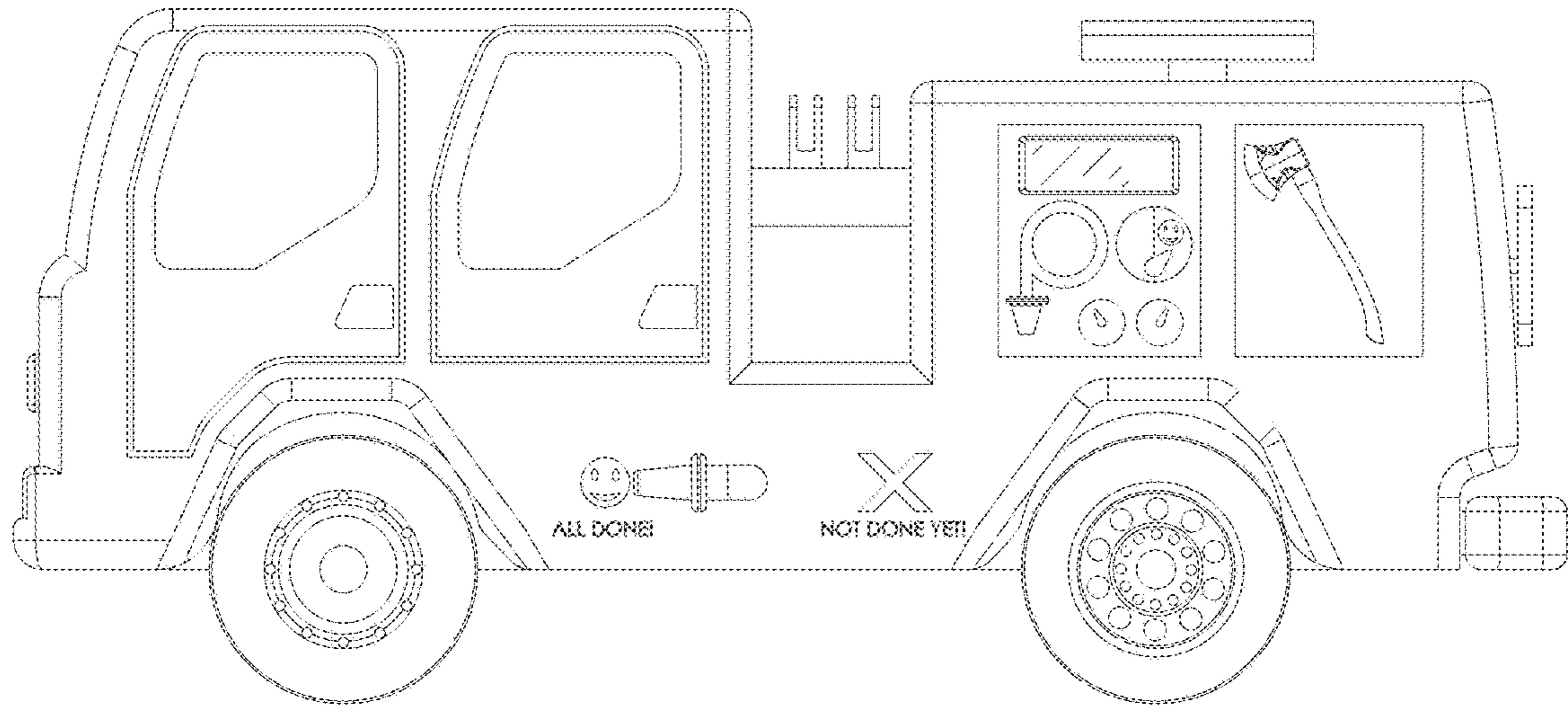


Fig. 3

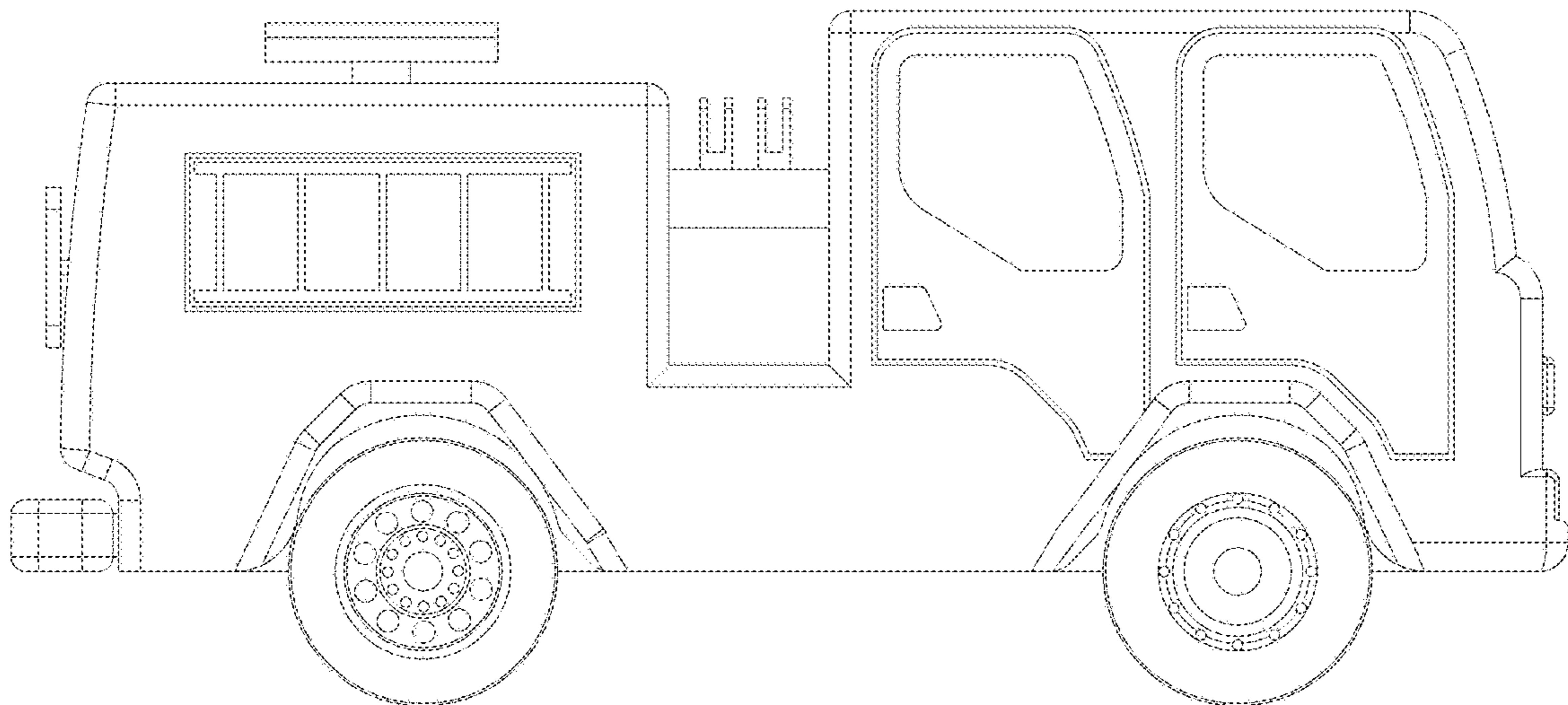


Fig. 4

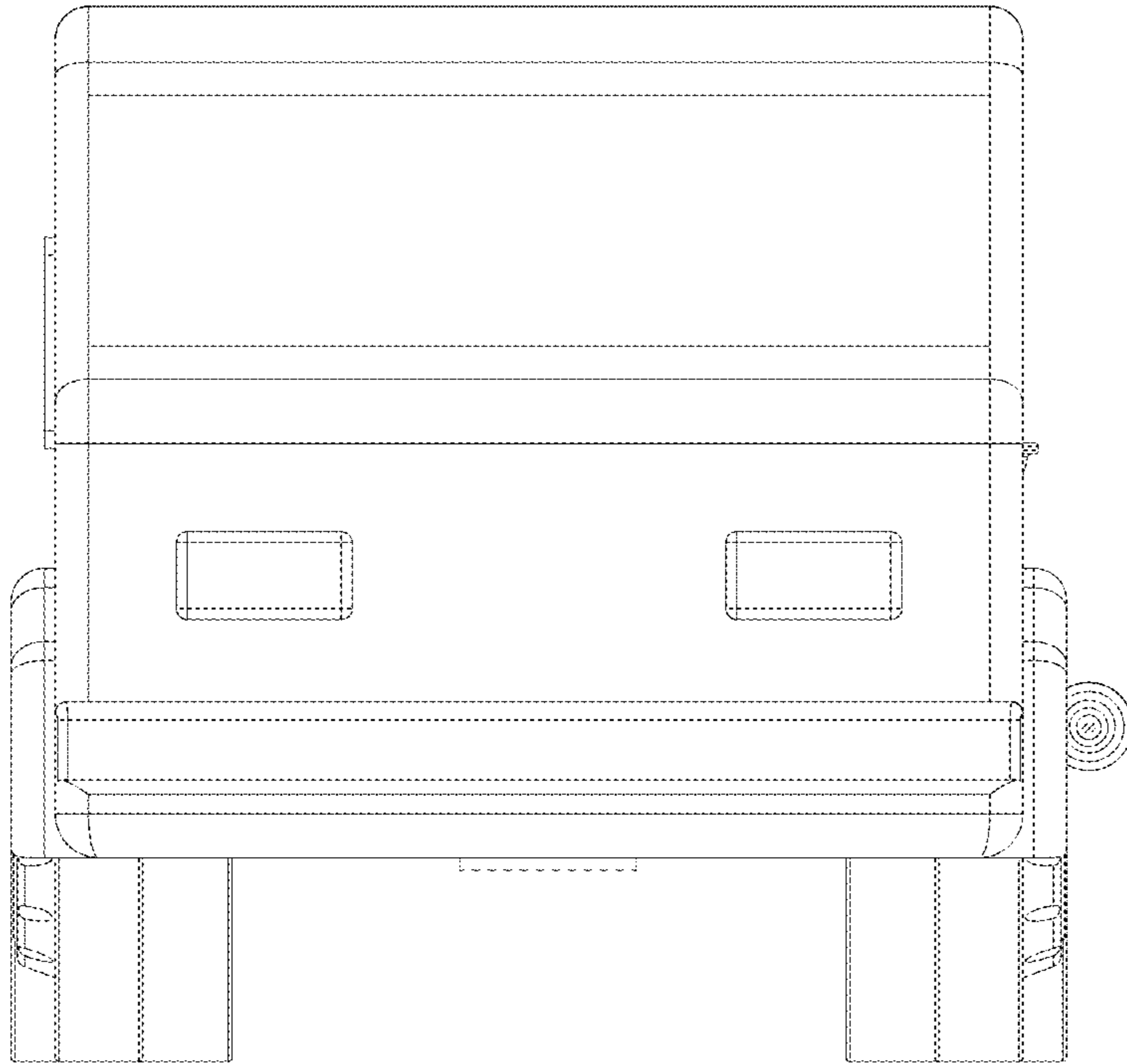


Fig. 5

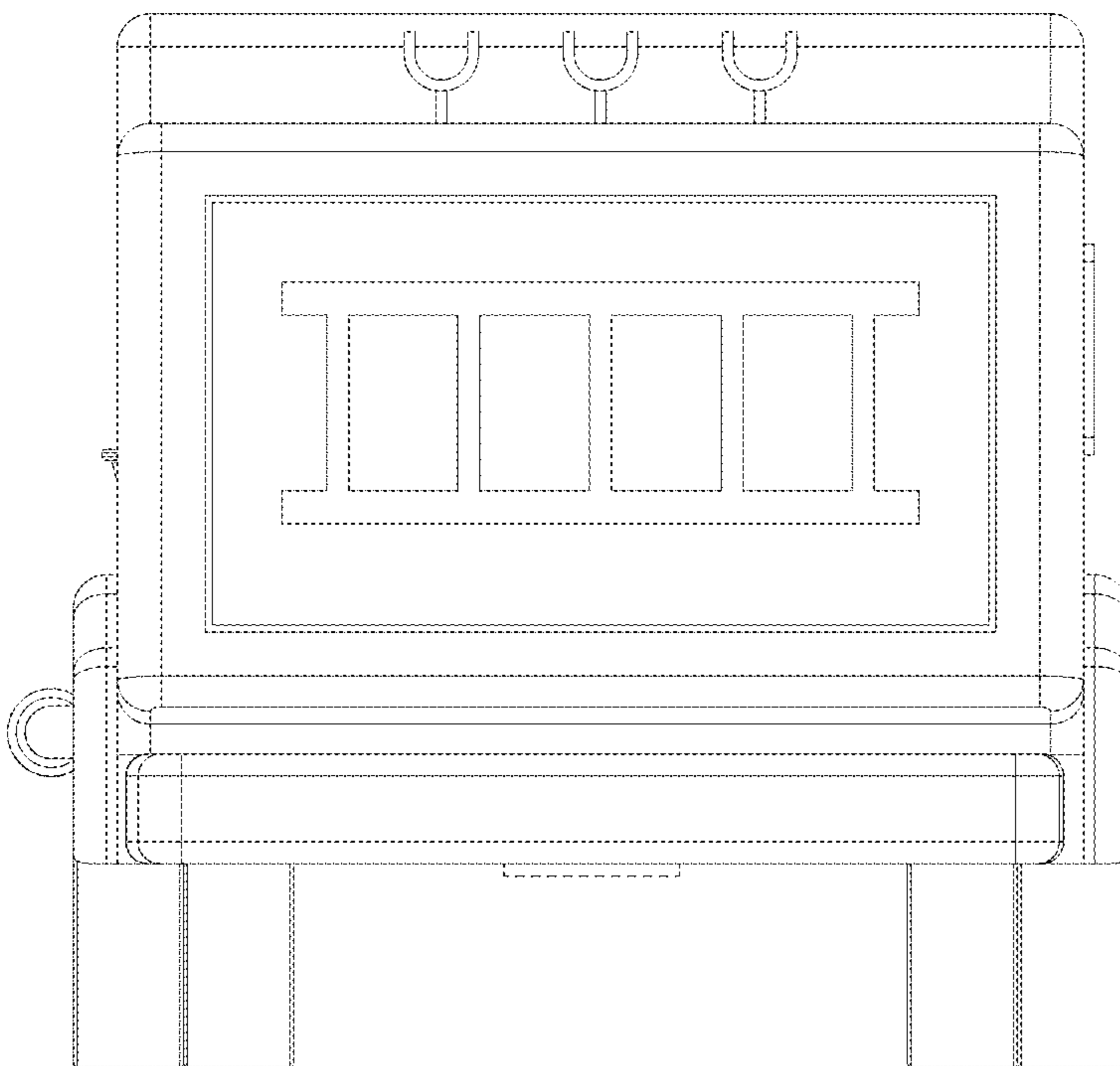


Fig. 6

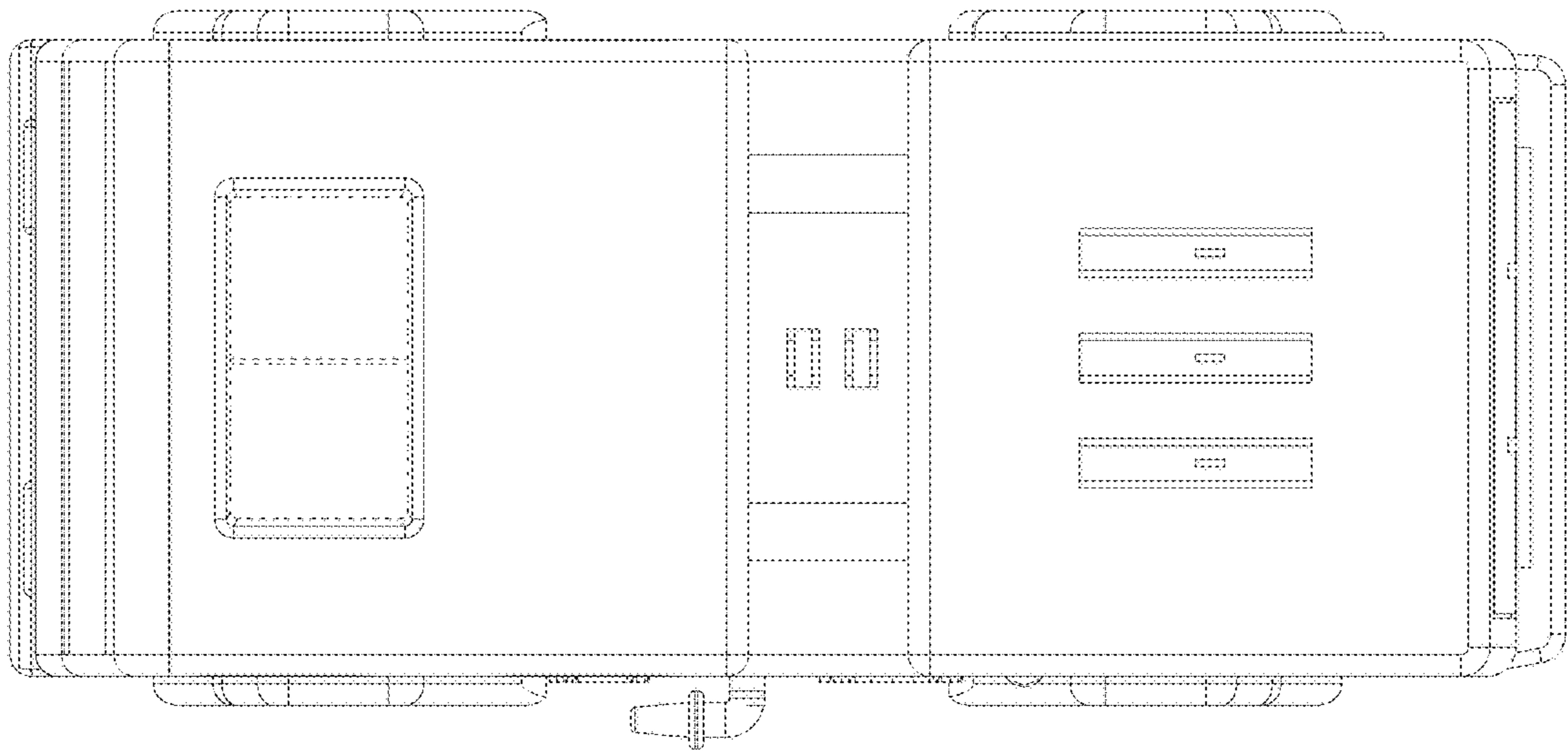


Fig. 7

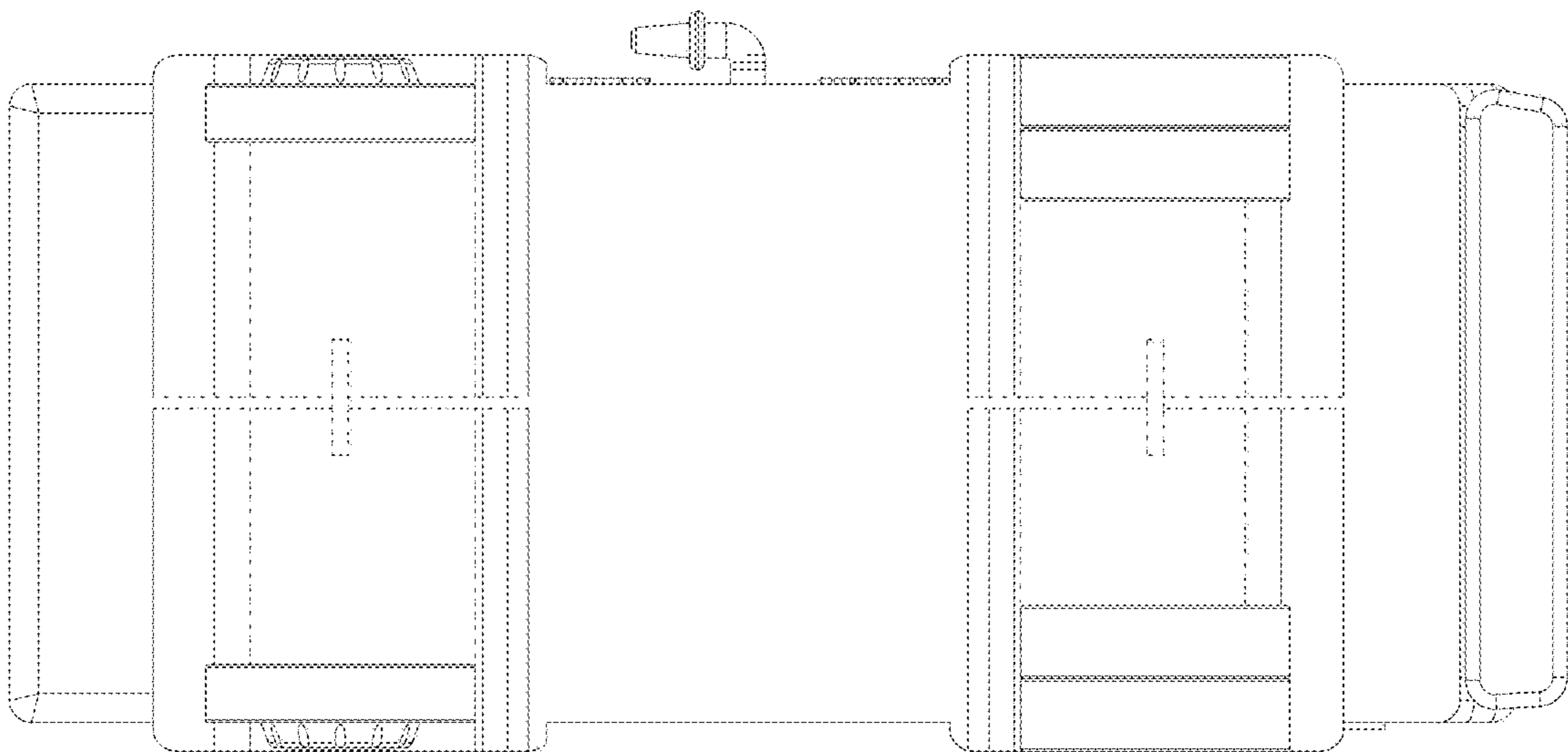


Fig. 8

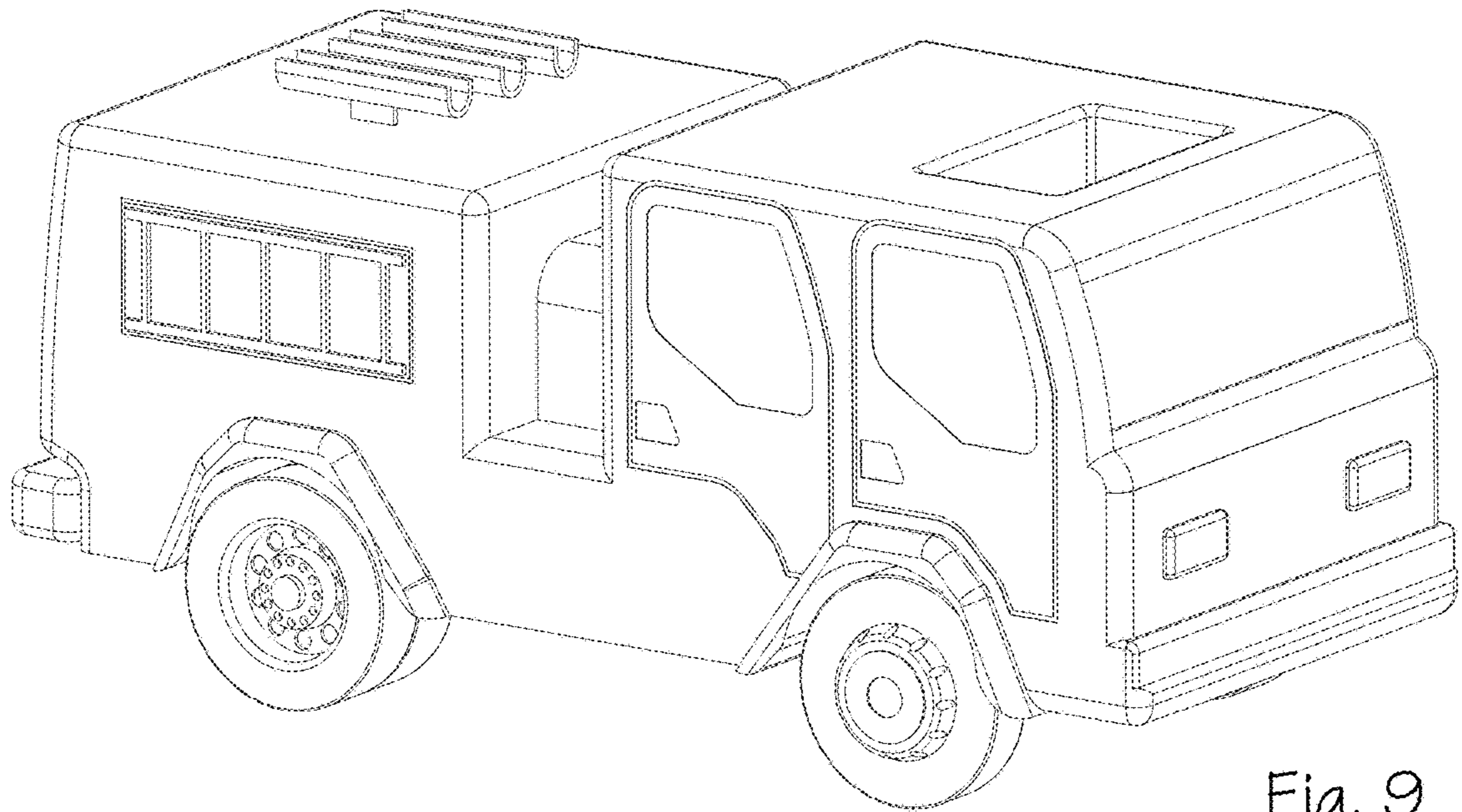


Fig. 9

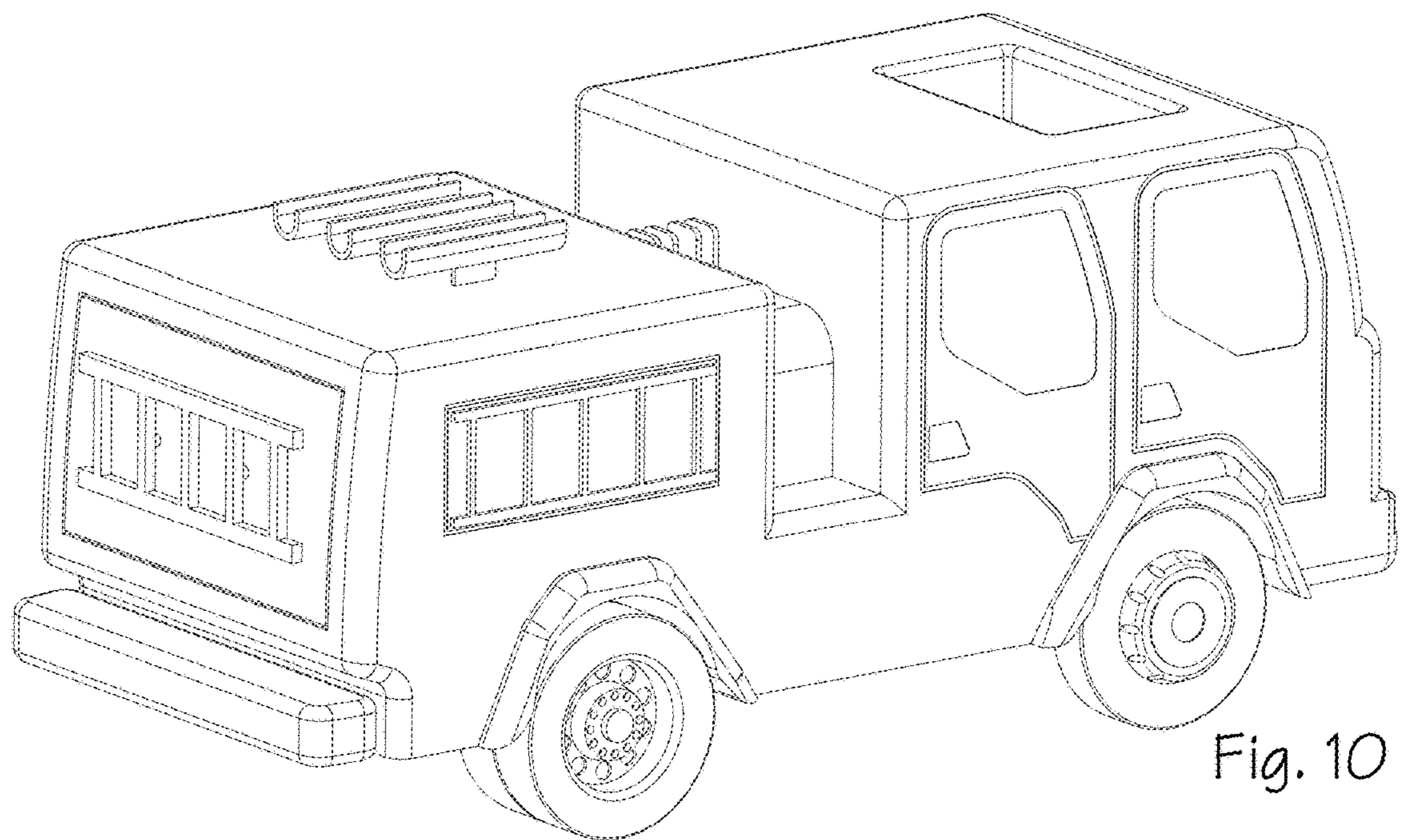


Fig. 10