



US00D784723S

(12) **United States Design Patent** (10) **Patent No.:** **US D784,723 S**
Bunch et al. (45) **Date of Patent:** **** Apr. 25, 2017**

(54) **TOOTHBRUSH HOLDER**
(71) Applicant: **Xport Five, LLC**, Paia, HI (US)
(72) Inventors: **Elizabeth A. Bunch**, Paia, HI (US);
Collin Kobayashi, Honolulu, HI (US)
(73) Assignee: **Xport Five, LLC**, Paia, HI (US)
(**) Term: **14 Years**
(21) Appl. No.: **29/514,152**
(22) Filed: **Jan. 8, 2015**
(51) **LOC (10) Cl.** **23-02**
(52) **U.S. Cl.**
USPC **D6/534**
(58) **Field of Classification Search**
USPC D6/534, 526, 527, 528, 524; 206/208,
206/228, 209, 209.1, 361, 362, 362.1,
206/362.2, 362.3; 211/13.1, 66, 70.6,
211/86.01, 87.01; D1/113; D21/542,
D21/543, 546, 547; D12/300, 313-318;
114/355-358, 270, 345; 446/153, 160,
446/162-165
CPC A47K 1/09; A47K 5/18; A45D 44/18
See application file for complete search history.

D476,704 S * 7/2003 Bao D21/546
7,509,920 B2 * 3/2009 Taylor B63B 59/02
114/343
2009/0000967 A1 * 1/2009 Shafik A47K 17/00
206/216

OTHER PUBLICATIONS

SmileyRides.com website, smileyrides products Toothy the Tug-boat; Jun. 16, 2016, <http://www.smileyrides.com/#!/products/cgmq>.*

* cited by examiner

Primary Examiner — David Muller
Assistant Examiner — Nathan Johnston

(74) *Attorney, Agent, or Firm* — K. David Crockett, Esq.;
Paul J. Backofen, Esq.; Crockett & Crockett, PC

(57) **CLAIM**

The ornamental design for a toothbrush holder, as shown and described.

DESCRIPTION

FIG. 1 is a left-front perspective view of a toothbrush holder showing our new design.

FIG. 2 is a left-rear perspective view thereof.

FIG. 3 is a left side elevation view thereof.

FIG. 4 is a right side elevation view thereof.

FIG. 5 is a front elevation view thereof.

FIG. 6 is a rear elevation view thereof.

FIG. 7 is a top plan view thereof.

FIG. 8 is a bottom plan view thereof.

FIG. 9 is a right-front perspective view thereof; and,

FIG. 10 is a right-rear perspective view thereof.

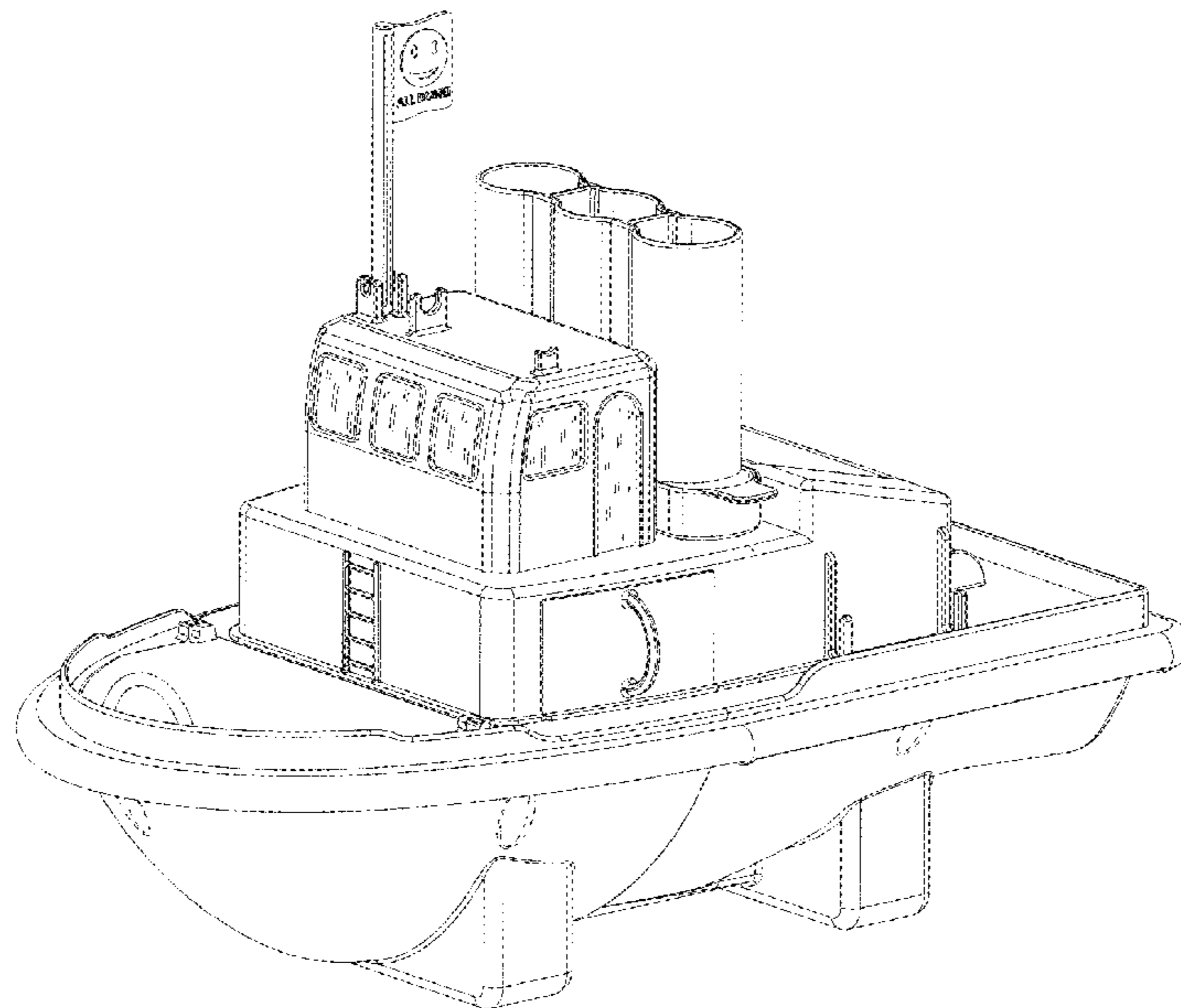
The broken line showing of toothbrush holder is included for the purpose of illustrating portions of the “article” and forms no part of the claimed design.

1 Claim, 5 Drawing Sheets

(56) **References Cited**

U.S. PATENT DOCUMENTS

D160,499 S * 10/1950 Hughes D12/315
D214,765 S * 7/1969 Daugherty D12/313
D236,145 S * 7/1975 Tong D12/313
D238,599 S * 1/1976 Tong D21/542
D238,600 S * 1/1976 Tong D21/542
D277,591 S * 2/1985 Rivollet D21/542
D310,398 S * 9/1990 Thieser D21/542
D368,745 S * 4/1996 Wong D21/542
D412,190 S * 7/1999 Graham D21/546



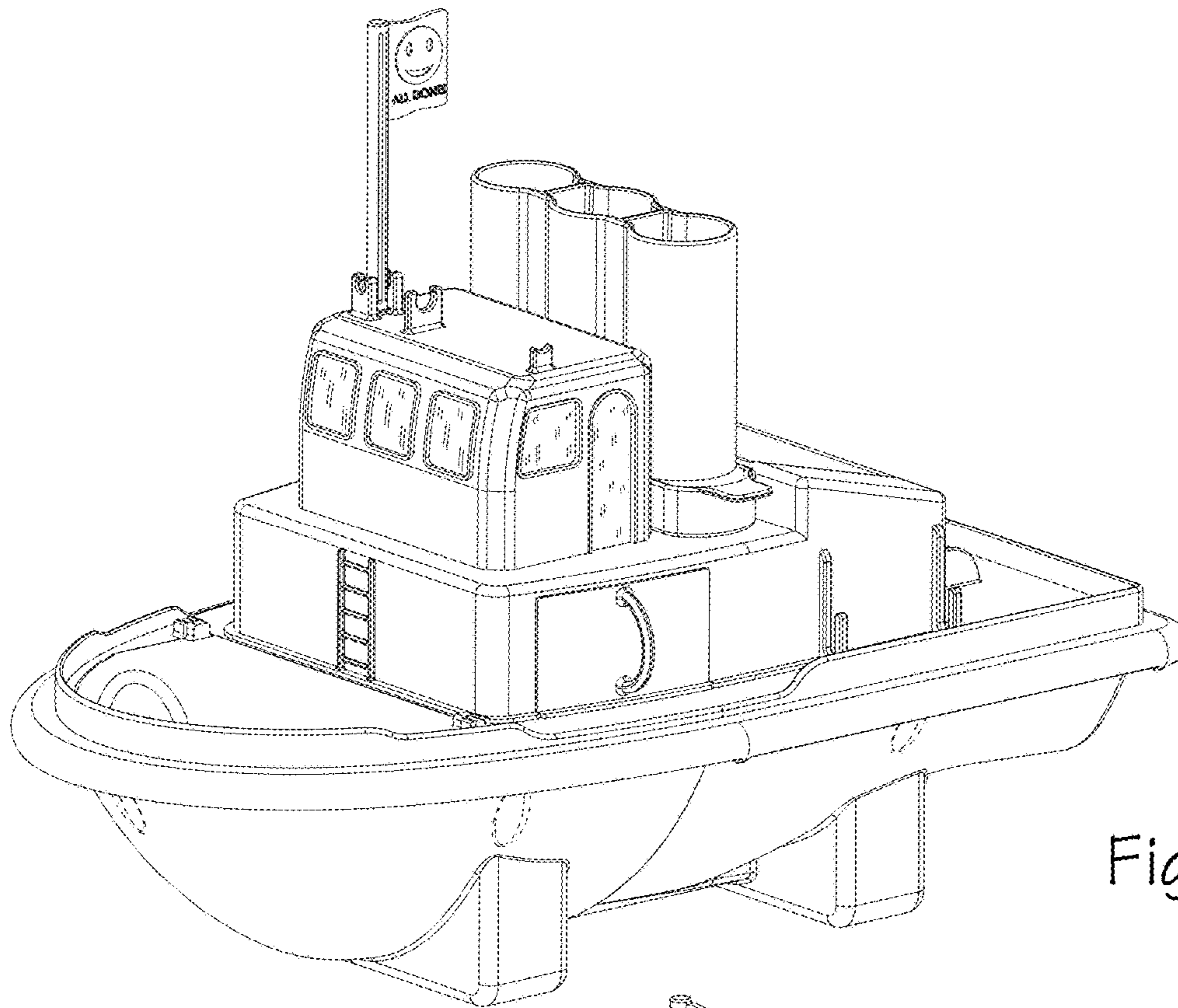


Fig. 1

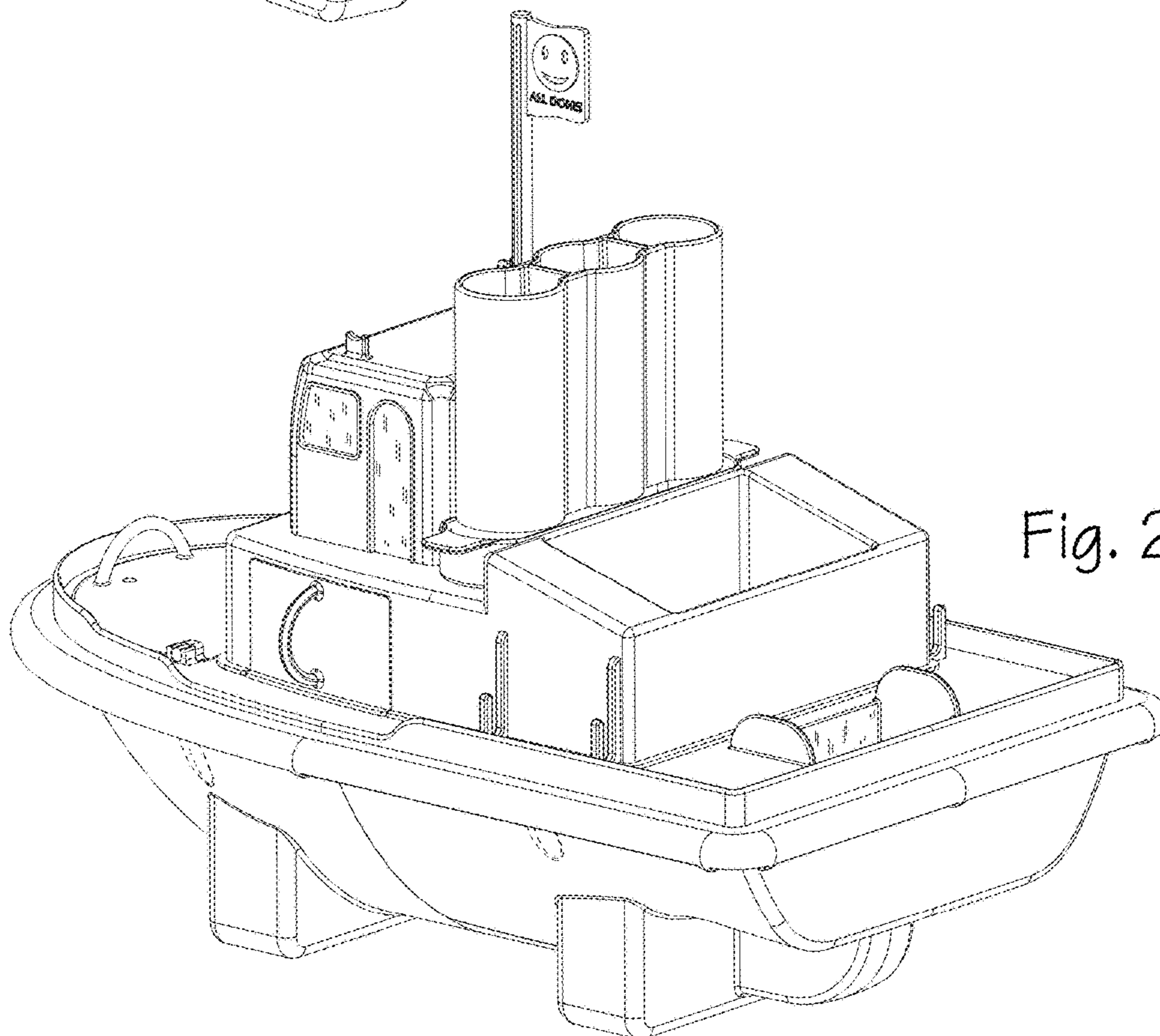


Fig. 2

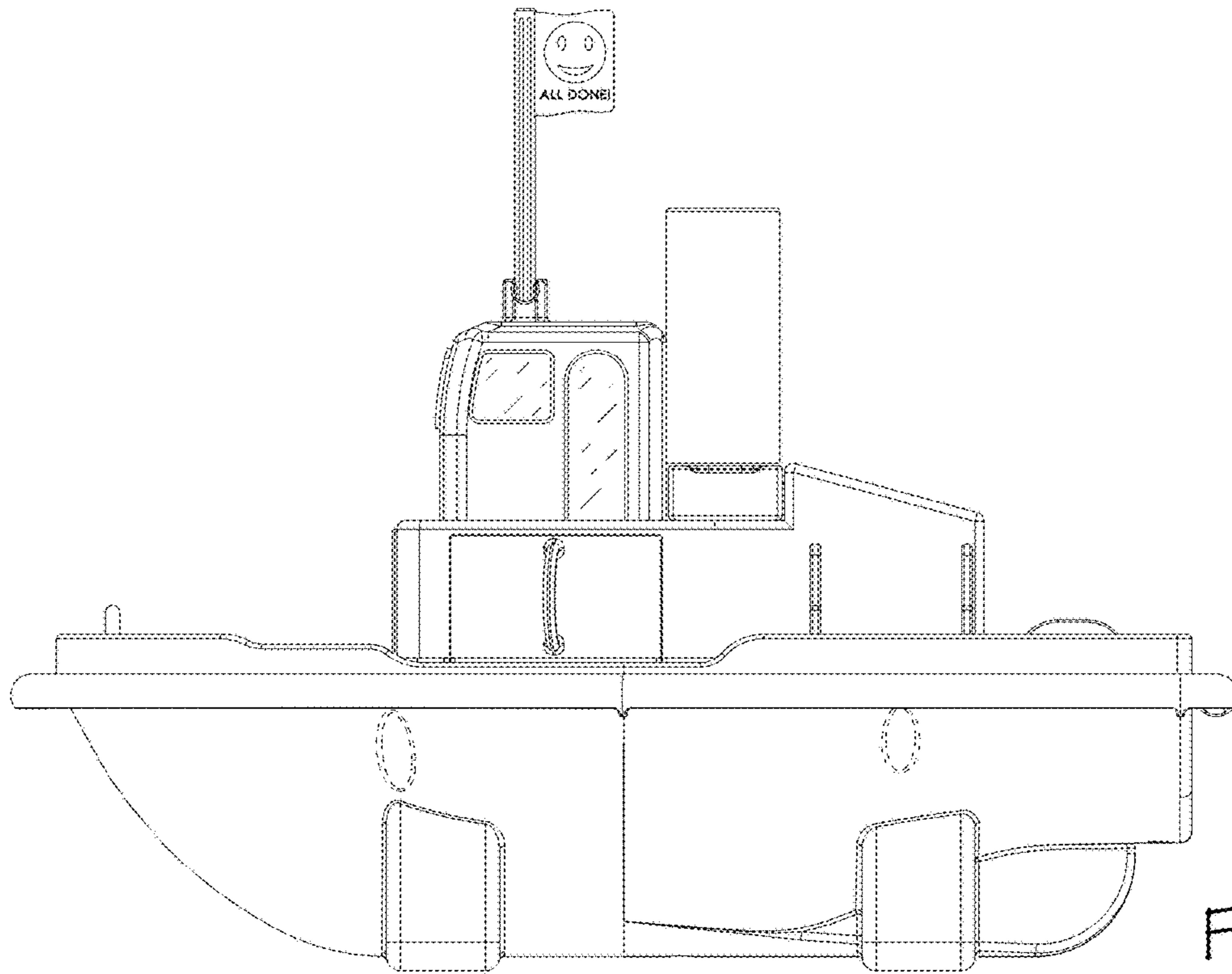


Fig. 3

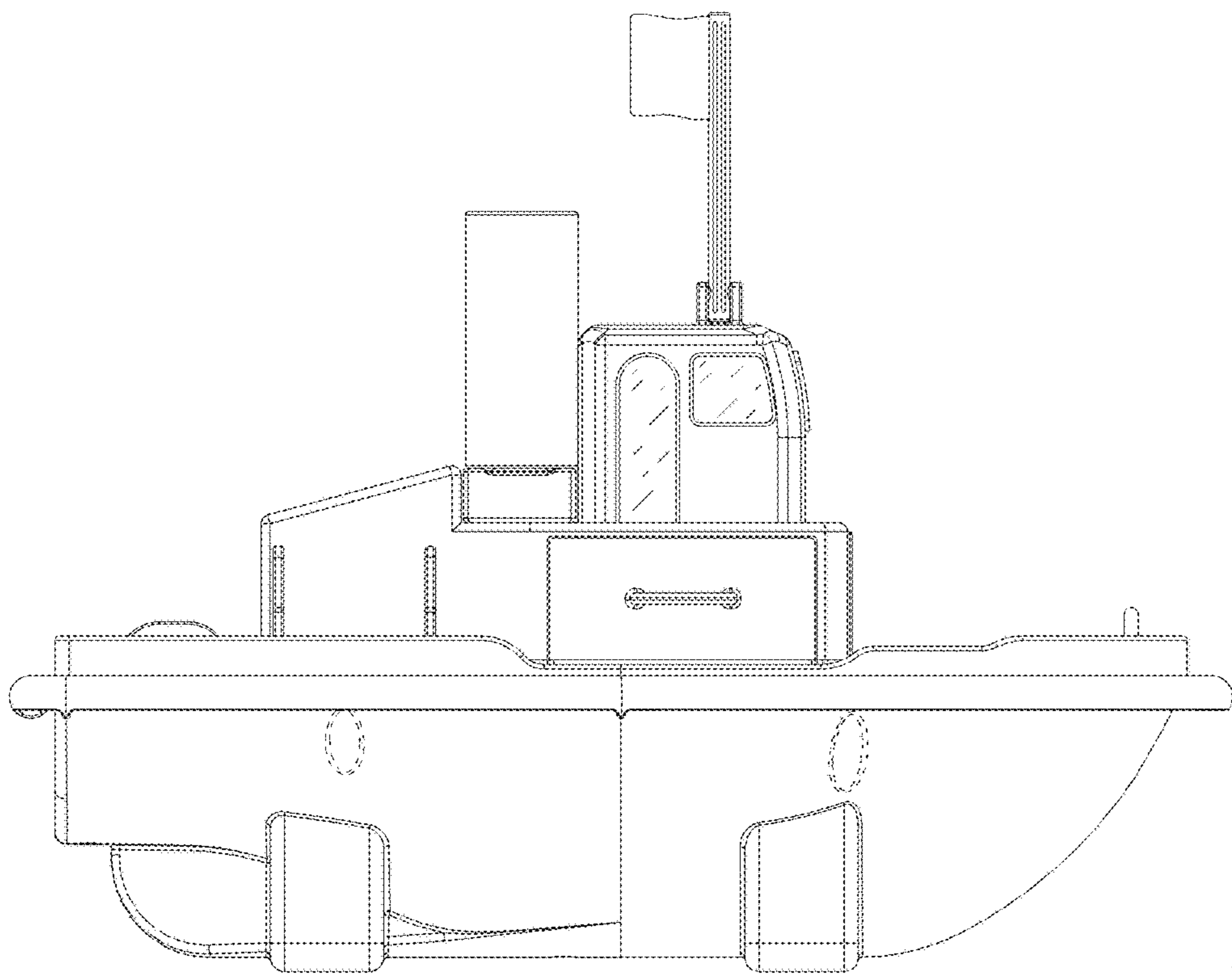


Fig. 4

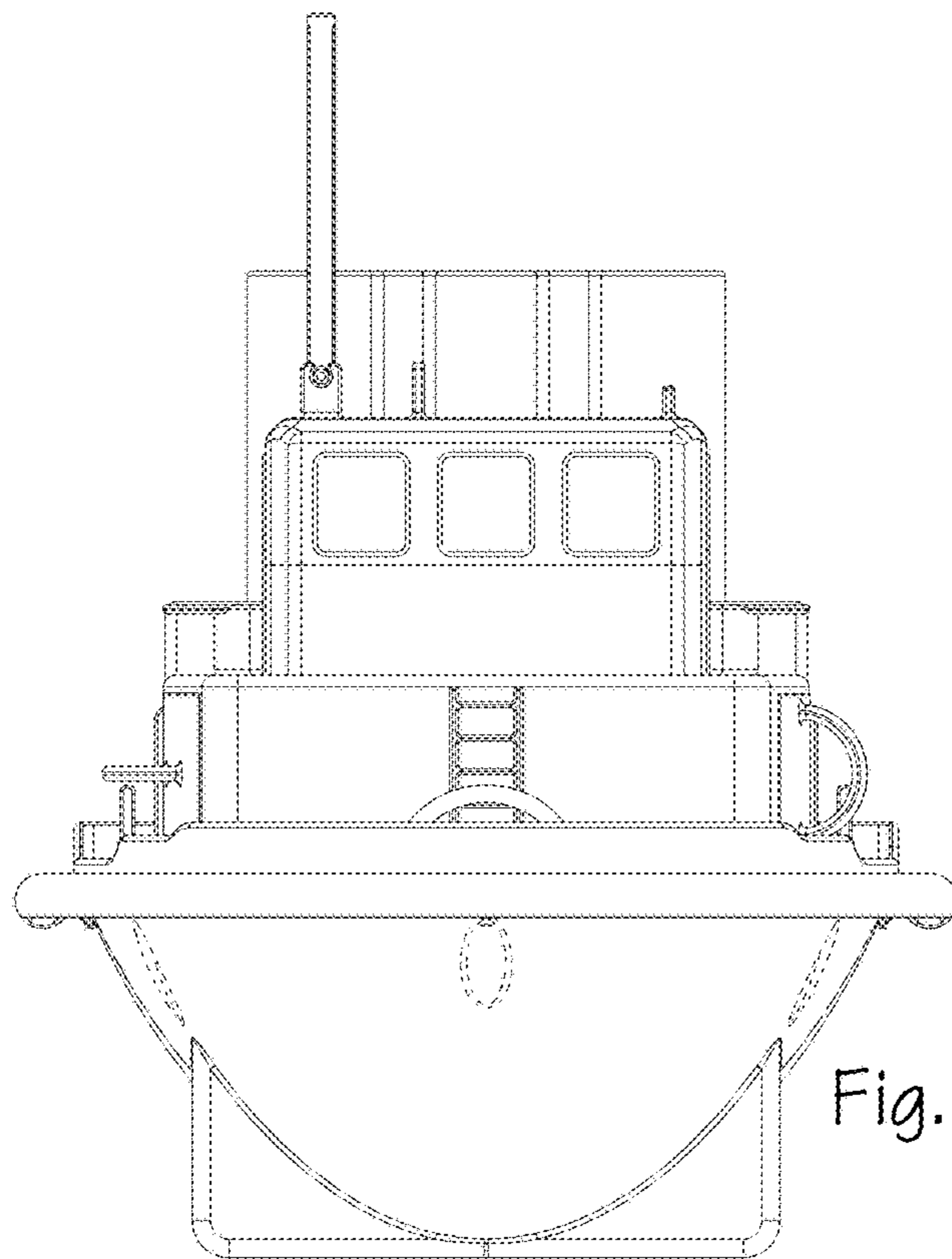


Fig. 5

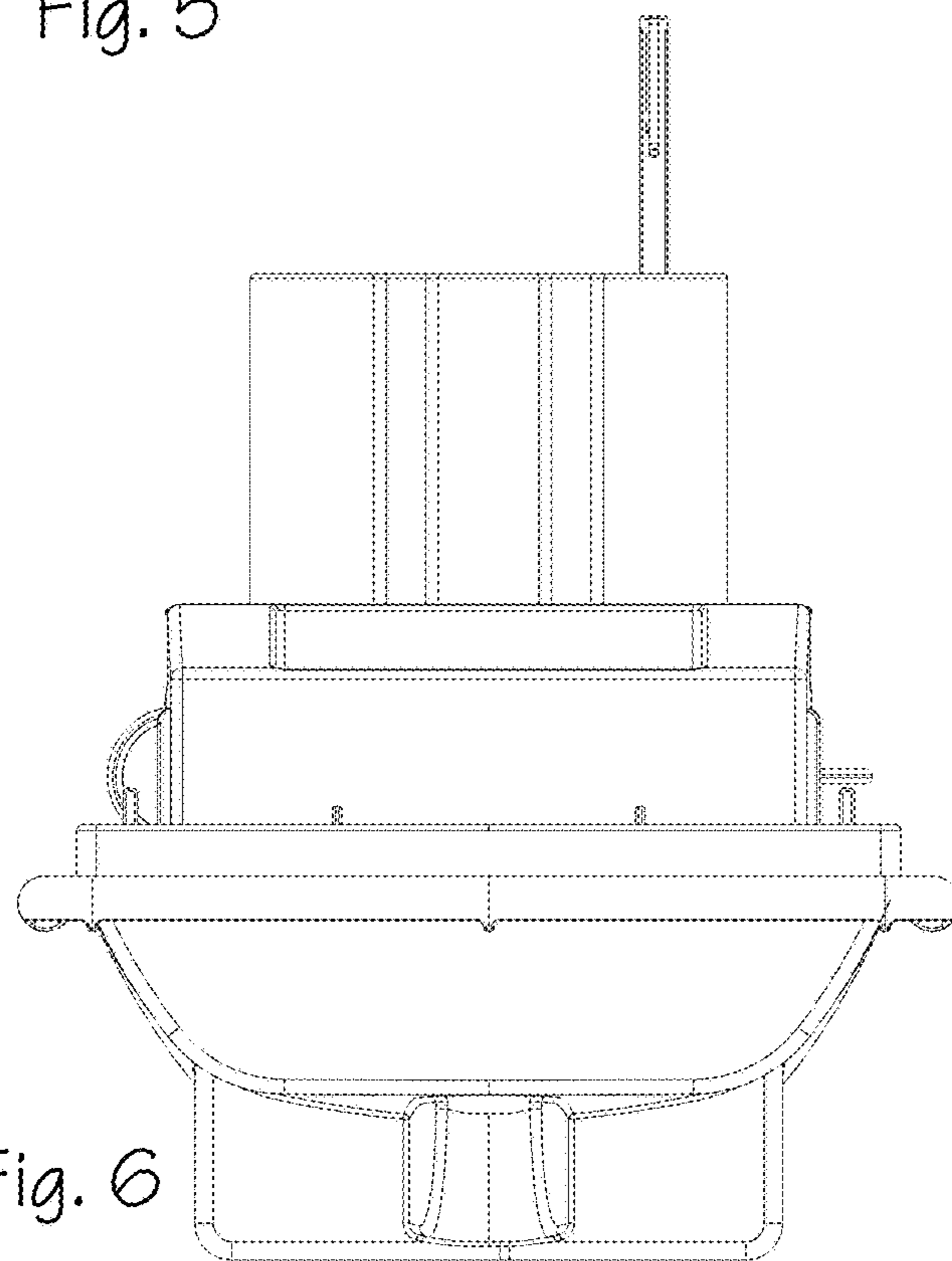


Fig. 6

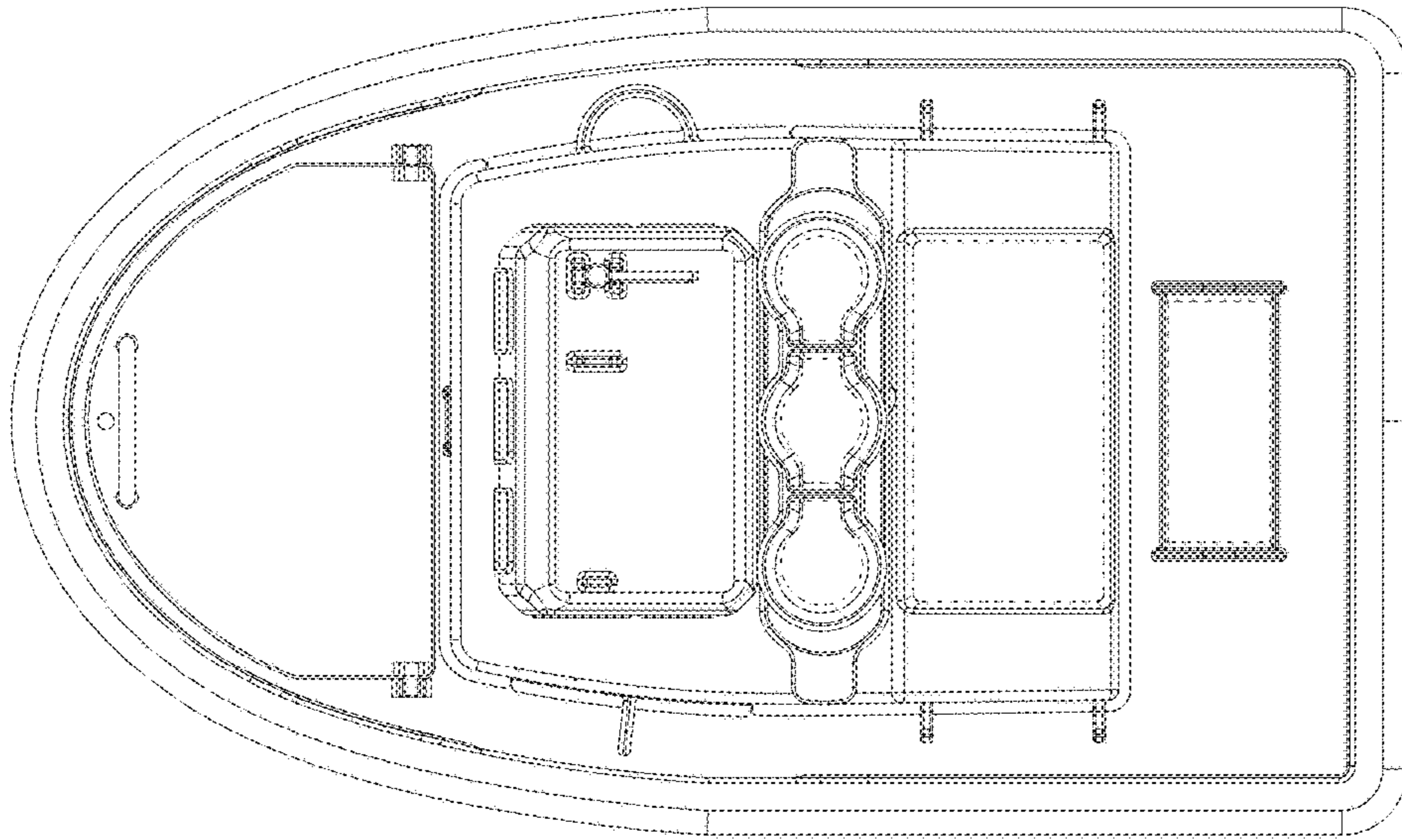


Fig. 7

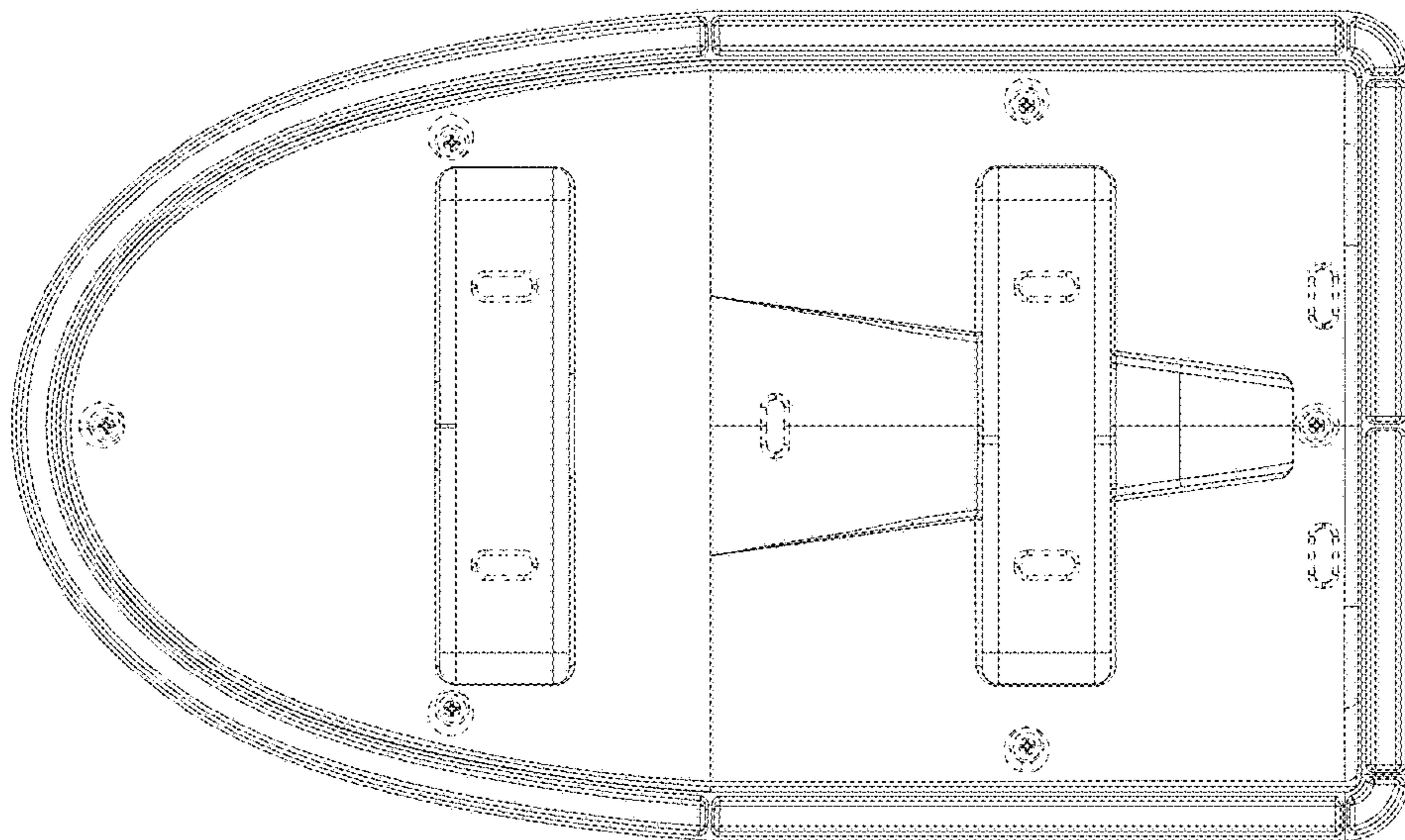


Fig. 8

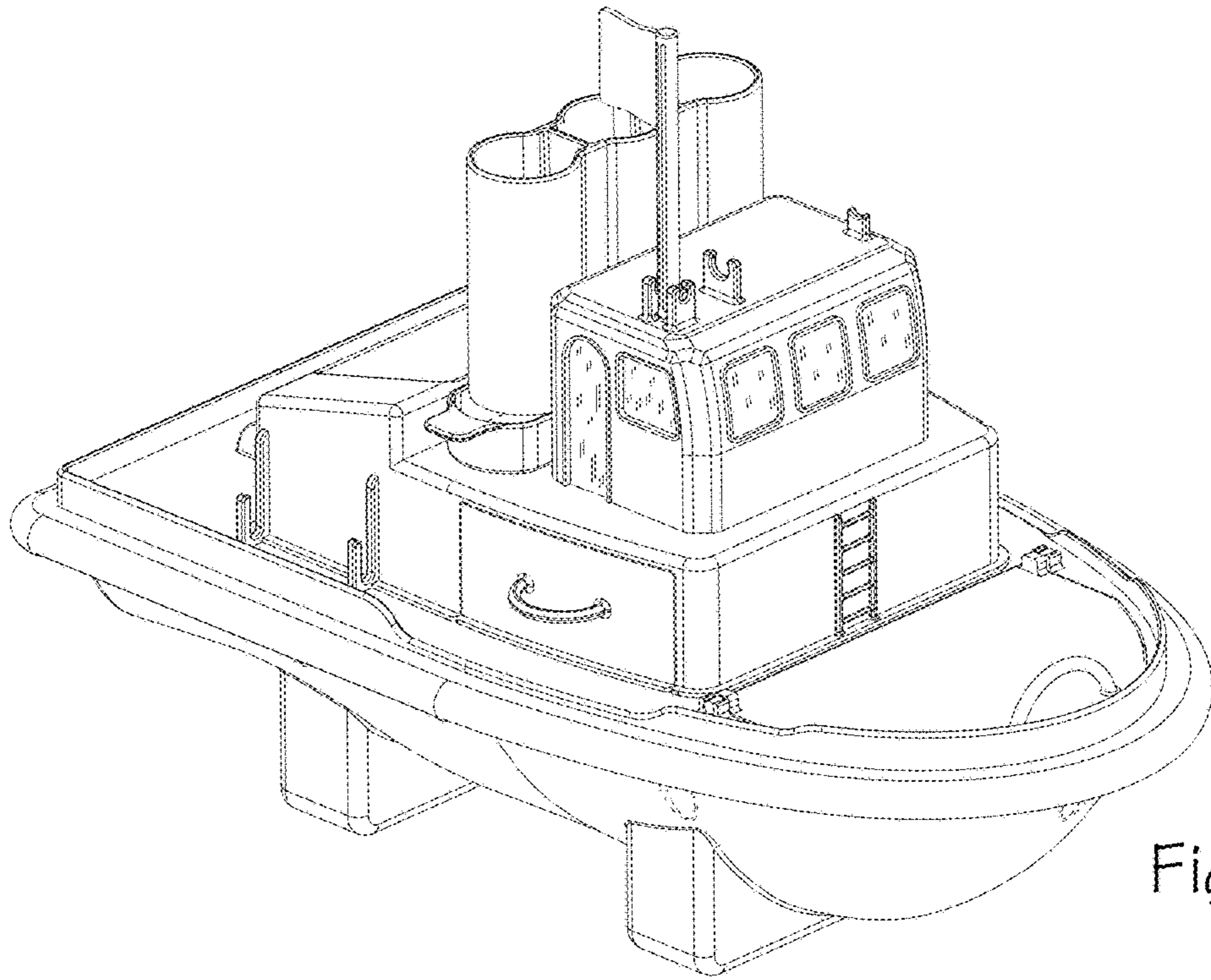


Fig. 9

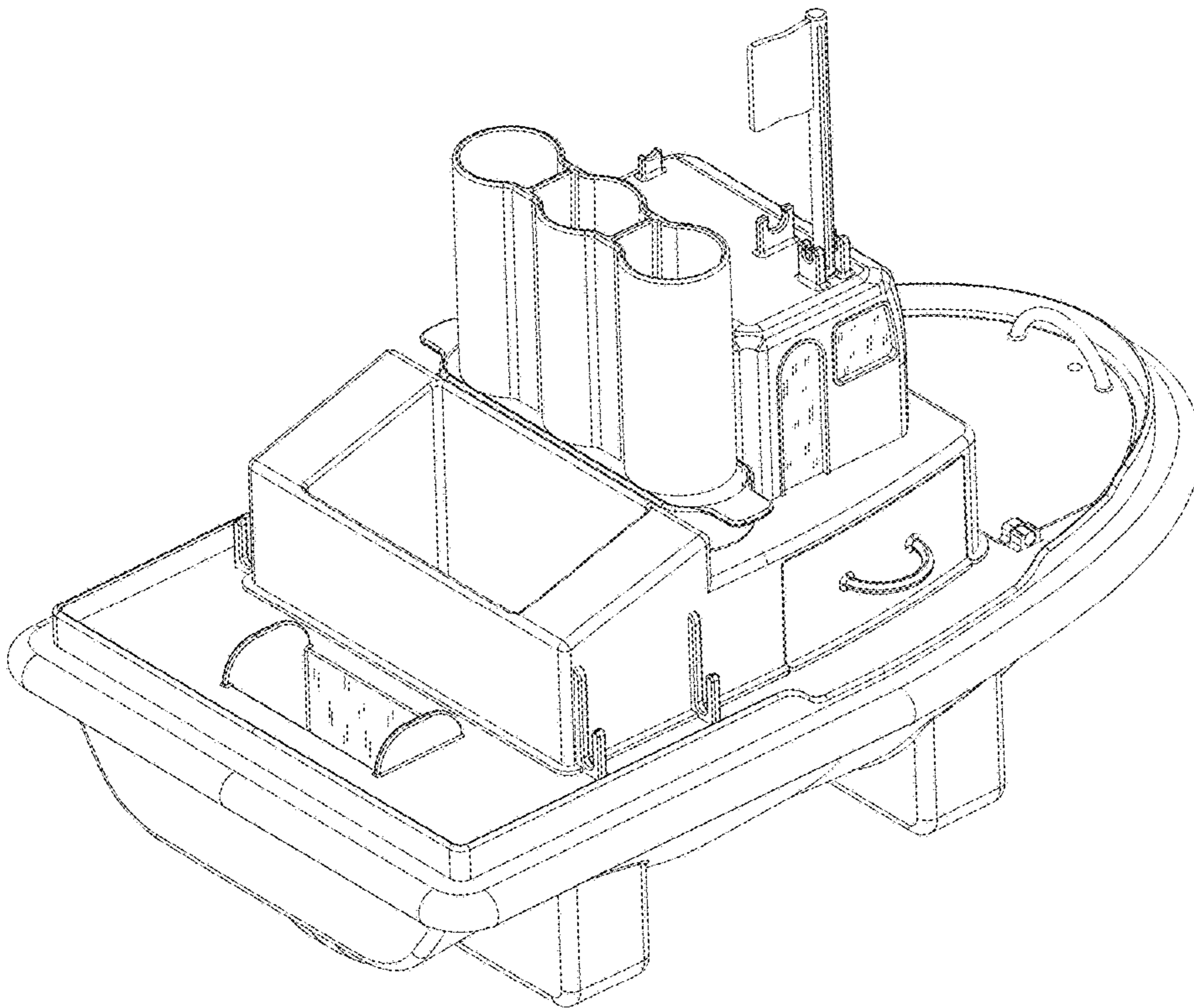


Fig. 10