



US00D784721S

(12) **United States Design Patent** (10) **Patent No.:** **US D784,721 S**
Goodman et al. (45) **Date of Patent:** **** Apr. 25, 2017**

(54) **BASKET AND HOOK STATION**

D616,680 S * 6/2010 Snider D6/513
D722,003 S * 2/2015 Gibson D12/223
D746,592 S * 1/2016 Goodman D3/306

(71) Applicant: **Spectrum Diversified Designs, Inc.**,
Streetsboro, OH (US)

(72) Inventors: **Sheldon H. Goodman**, Solon, OH
(US); **Phaysouk Xayoiphonh**, Akron,
OH (US)

(73) Assignee: **Spectrum Diversified Designs, LLC**,
Streetsboro, OH (US)

(**) Term: **15 Years**

(21) Appl. No.: **29/532,460**

(22) Filed: **Jul. 7, 2015**

(51) **LOC (10) Cl.** **03-01**

(52) **U.S. Cl.**

USPC **D6/525**

(58) **Field of Classification Search**

USPC D6/525, 513, 566, 574; D3/304, 306,
D3/310, 311, 312, 313, 315; D12/223;
211/13.1, 71.01, 86.01, 88.01, 90.01,
211/90.03, 106, 119, 126.1, 133.5, 134,
211/181.1

CPC B65D 1/38; A47J 47/18; A47J 45/00
See application file for complete search history.

(56) **References Cited**

U.S. PATENT DOCUMENTS

D479,663 S * 9/2003 Snell D6/525
D507,108 S * 7/2005 Suero, Jr. D3/304

OTHER PUBLICATIONS

Design U.S. Appl. No. 29/519,067, filed Mar. 2, 2015.

* cited by examiner

Primary Examiner — Wan Laymon

Assistant Examiner — Mark Booker

(74) *Attorney, Agent, or Firm* — Renner, Otto, Boisselle
& Sklar, LLP

(57) **CLAIM**

The ornamental design for a basket and hook station, as
shown and described.

DESCRIPTION

FIG. 1 is a perspective view of a basket and hook station
showing our new design.

FIG. 2 is a front view thereof.

FIG. 3 is a rear view thereof.

FIG. 4 is a left side view thereof.

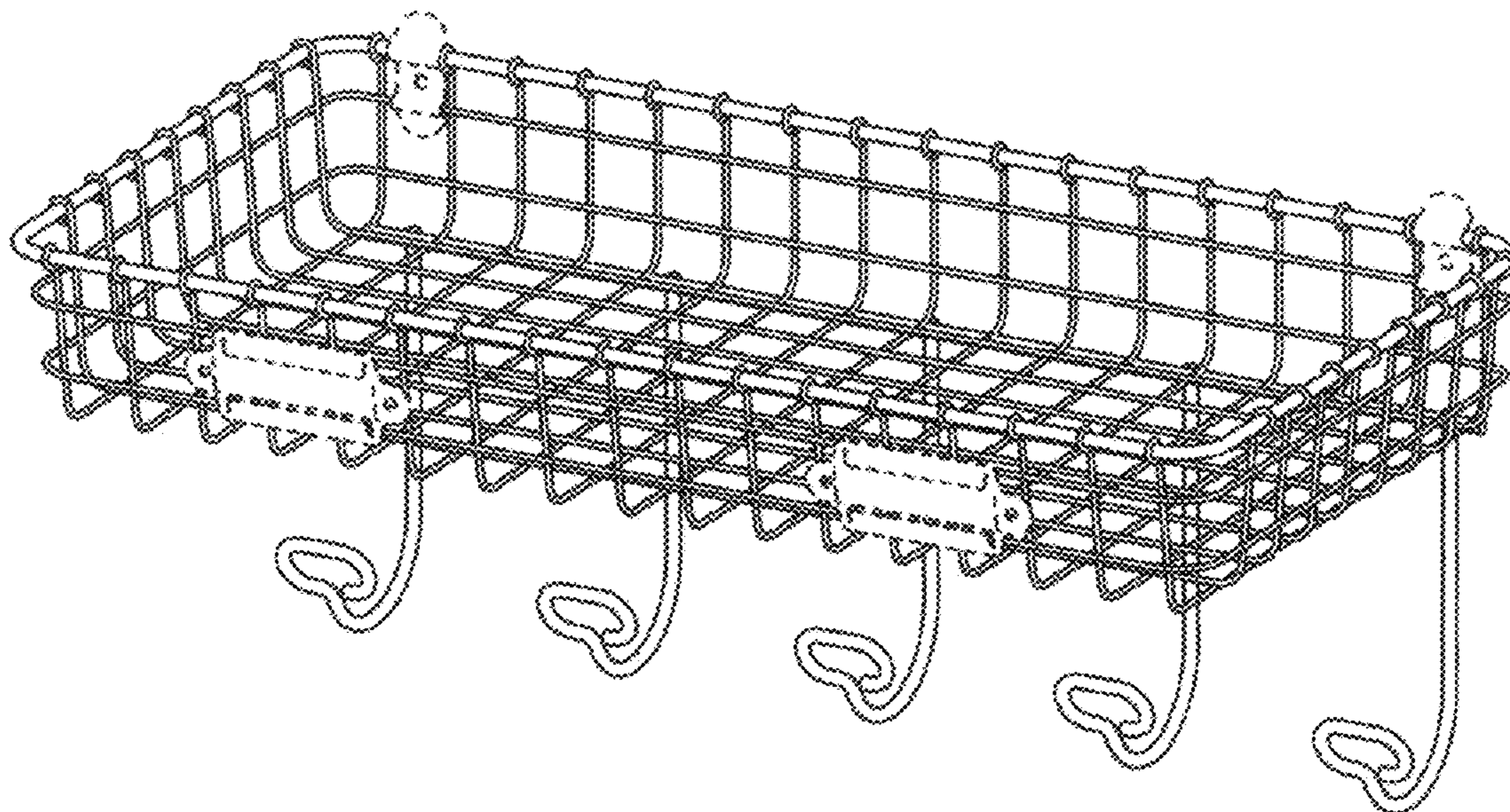
FIG. 5 is a right side view thereof.

FIG. 6 is a top view thereof; and,

FIG. 7 is a bottom view thereof.

The broken lines shown in the figures represent portions of
the basket and hook station that form no part of the claimed
design.

1 Claim, 4 Drawing Sheets



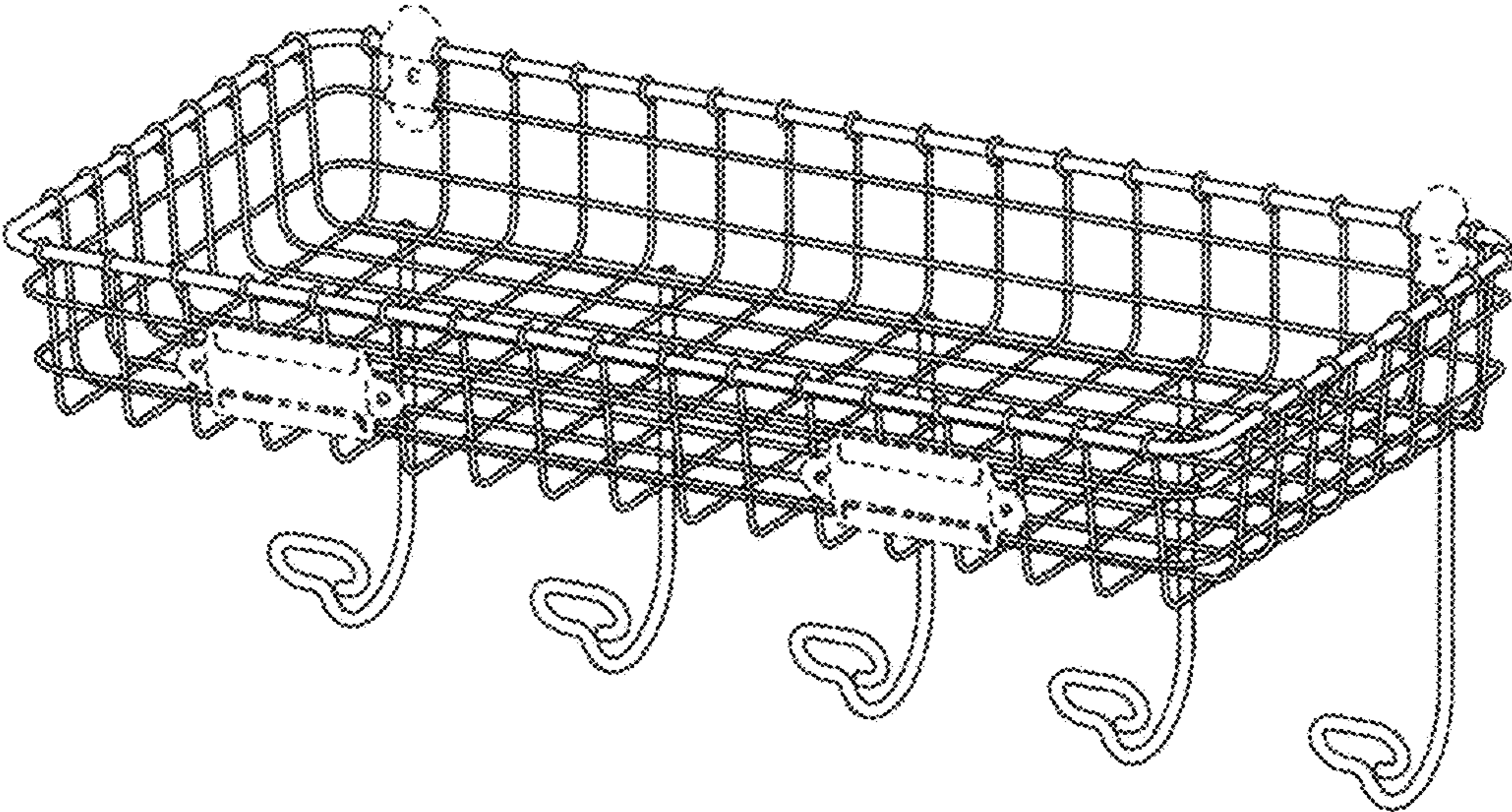


FIG. 1

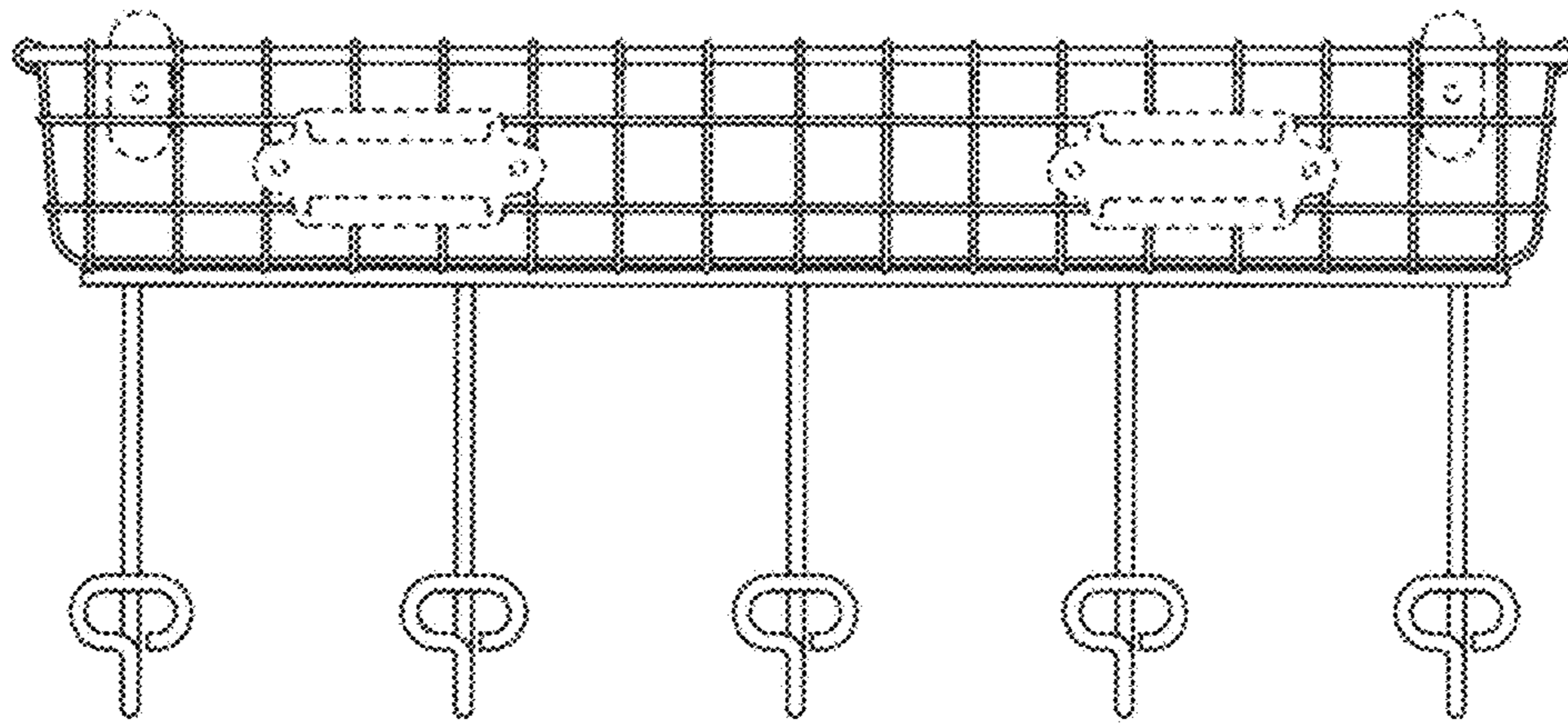


FIG. 2

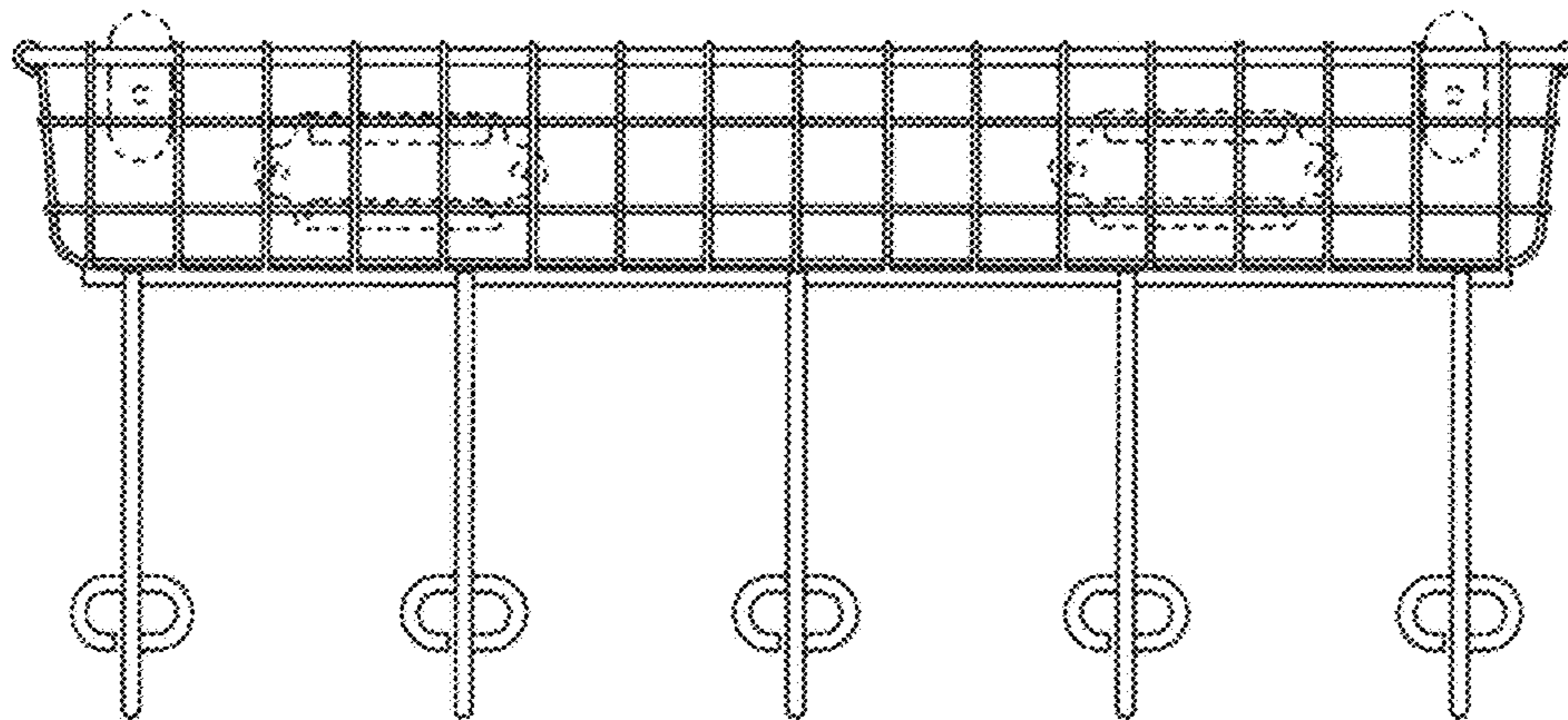


FIG. 3

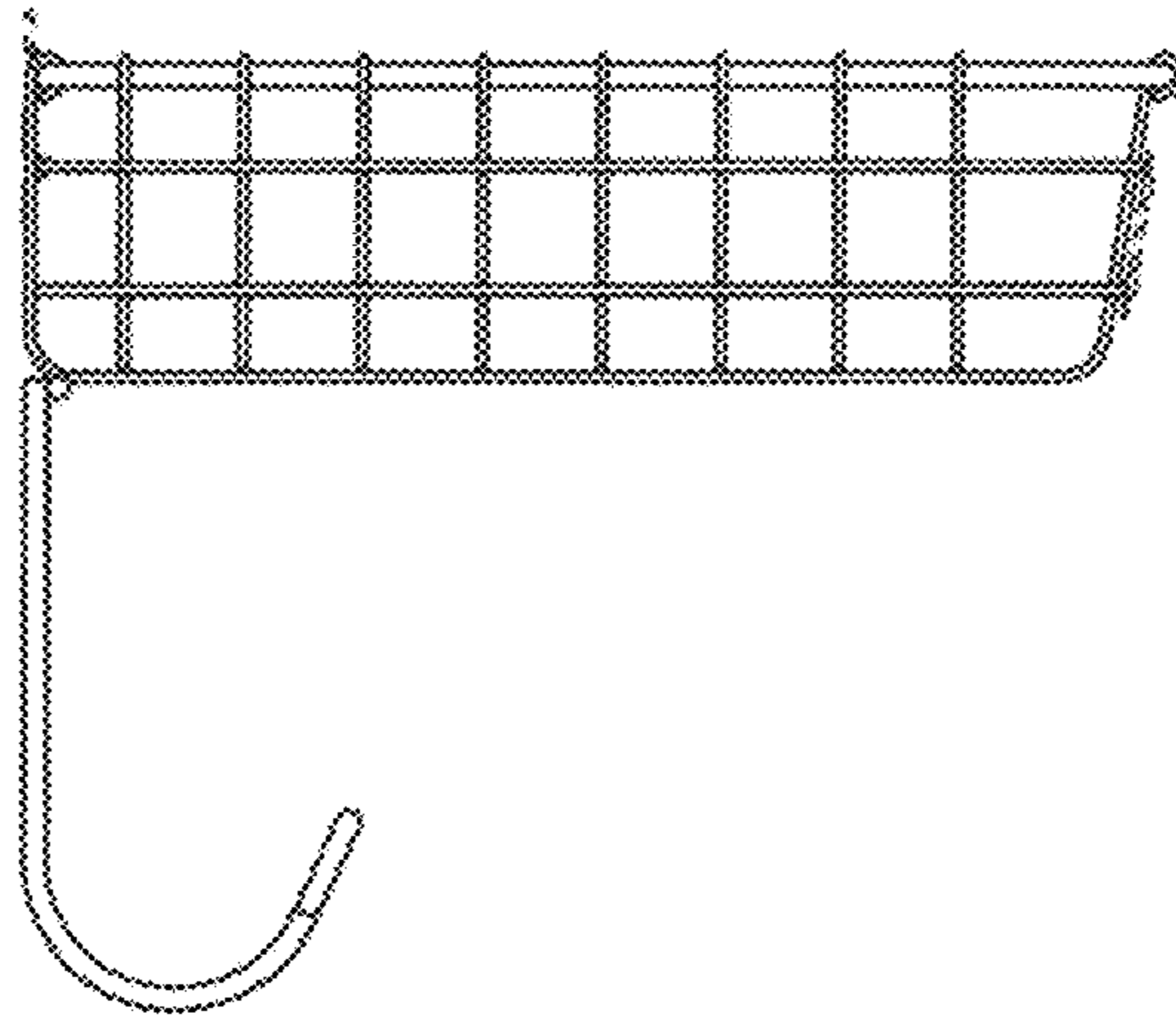


FIG. 4

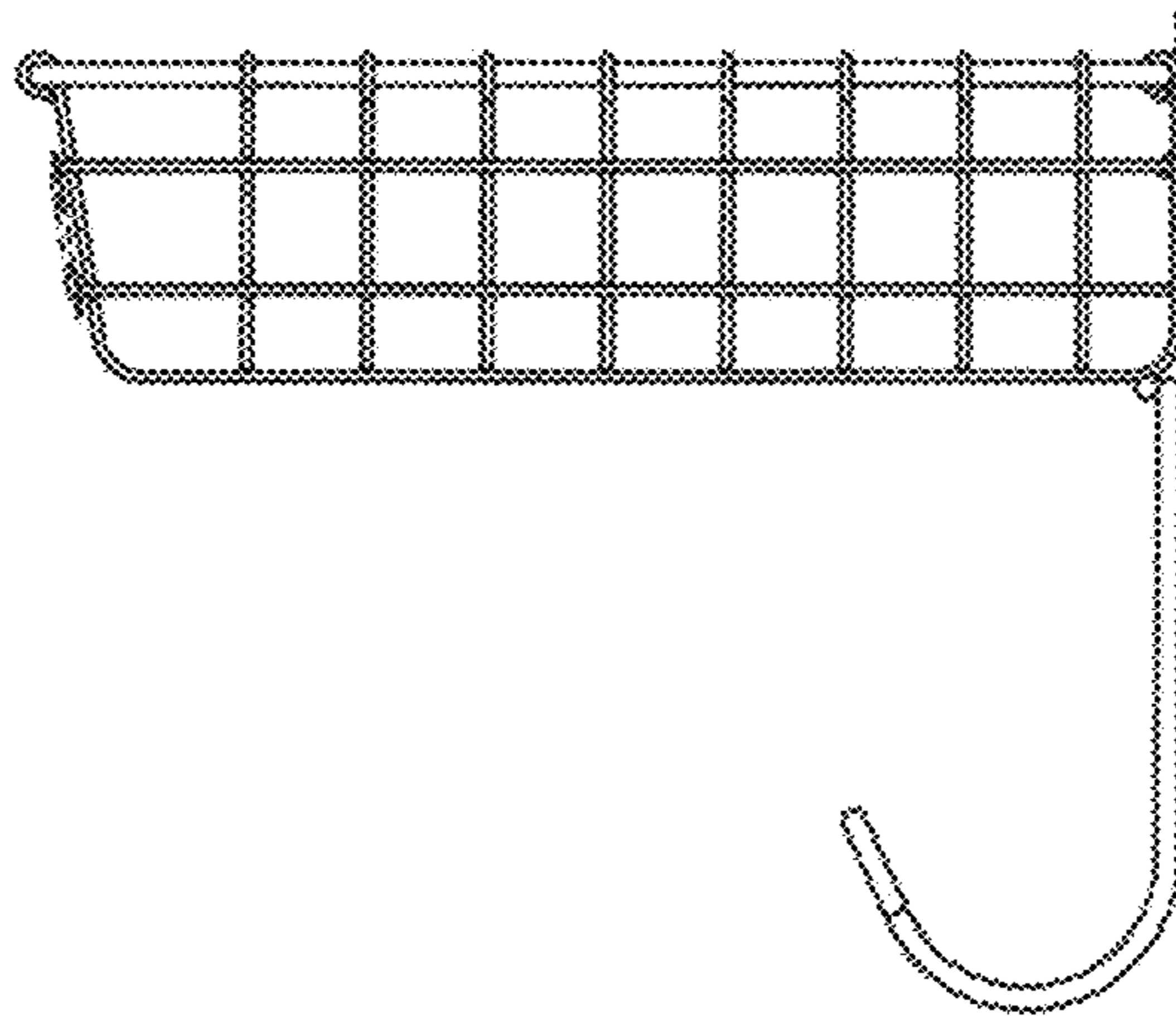


FIG. 5

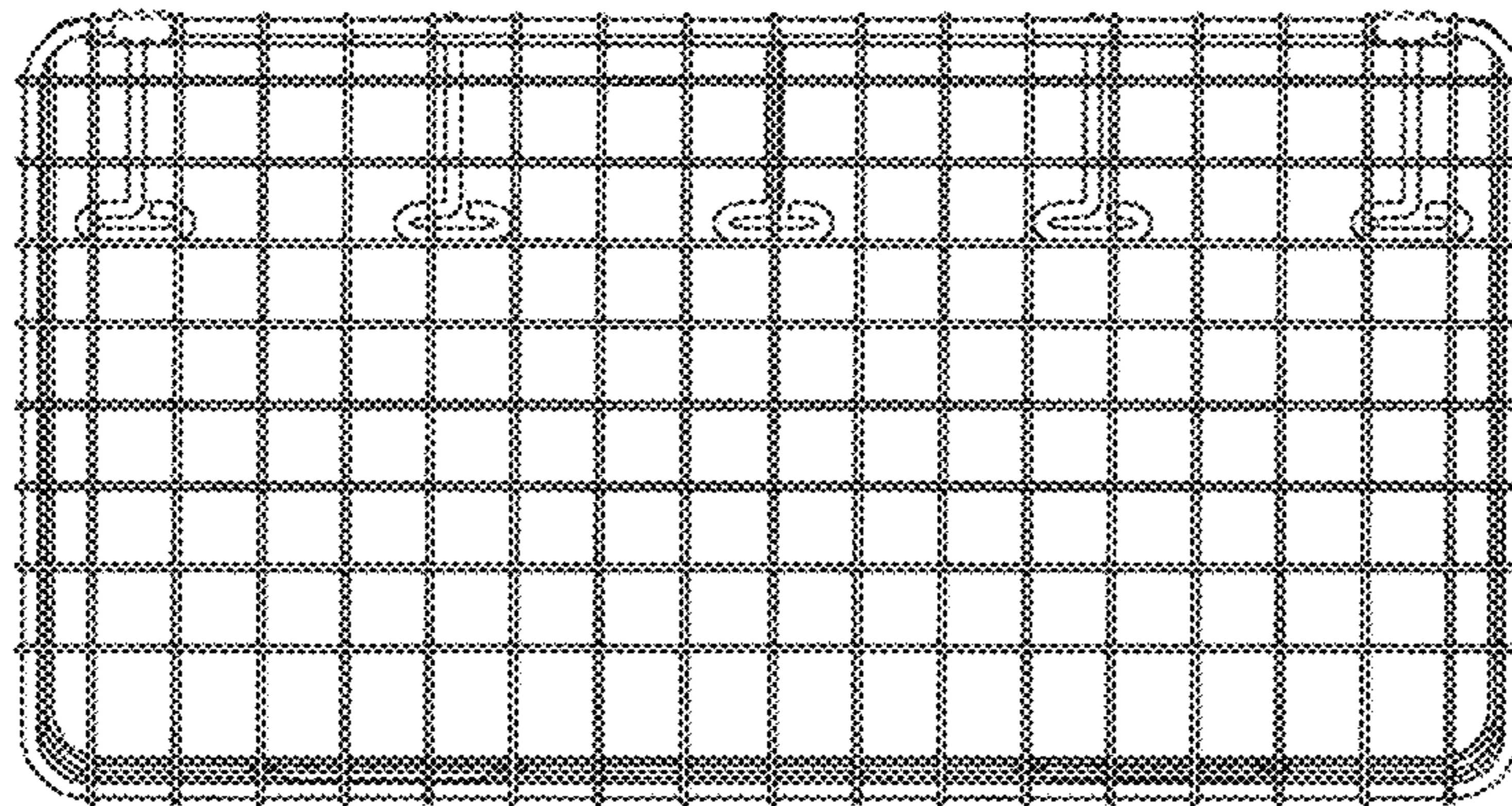


FIG. 6

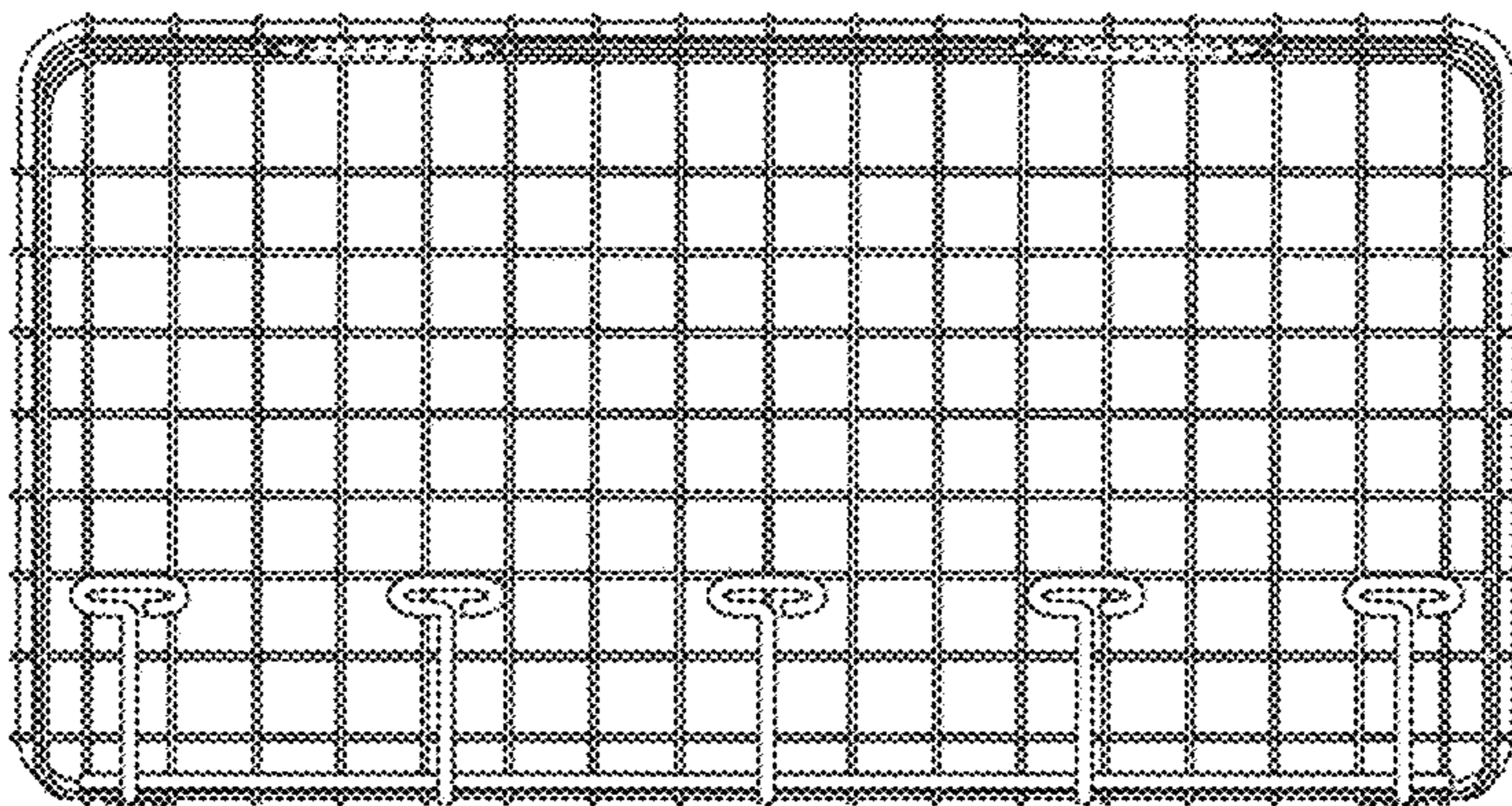


FIG. 7