



US00D784712S

(12) **United States Design Patent** (10) **Patent No.:** **US D784,712 S**
Scagnellato et al. (45) **Date of Patent:** **** Apr. 25, 2017**

(54) **CHAIR**

(71) Applicant: **CERANTOLA S.P.A.**, Loria, Frazione Ramon (IT)
(72) Inventors: **Paolo Scagnellato**, Padua (IT); **Jeremiah Ferrarese**, Padua (IT)
(73) Assignee: **CERANTOLA S.P.A.**, Frazione Ramon (IT)
(**) Term: **15 Years**
(21) Appl. No.: **29/505,527**
(22) Filed: **Dec. 7, 2015**

Related U.S. Application Data

(62) Division of application No. 29/442,902, filed on Jun. 10, 2013, now Pat. No. Des. 747,894.

(30) **Foreign Application Priority Data**

Mar. 25, 2013 (EM) 002208504

(51) **LOC (10) Cl.** **06-01**

(52) **U.S. Cl.**
USPC **D6/338**

(58) **Field of Classification Search**

USPC D6/334-338, 349, 355, 361, 368-370, D6/376, 379-381, 716, 716.1, 716.2, 340, D6/354, 377, 341; 297/16.1, 42, 94, 135, 297/175, 232, 233, 350, 351, 445.1, 297/448.1, 448.2, 451.9; 5/12.1, 12.2
CPC .. A47C 1/02; A47C 7/24; A47C 17/00; A47C 17/02; A47C 17/04; A47C 17/045; A47C 17/12; A47C 17/132; A47C 17/136

See application file for complete search history.

(56) **References Cited**

U.S. PATENT DOCUMENTS

D169,930 S * 6/1953 Chapman et al. D6/374
D170,303 S * 9/1953 Chapman et al. D6/341
D170,304 S * 9/1953 Chapman et al. D19/113
3,159,428 A * 12/1964 Schier A47C 5/043
29/91
D202,264 S * 9/1965 Albinson 297/239
3,328,075 A * 6/1967 Albinson A47C 1/124
297/239
3,380,778 A * 4/1968 Barecki A47C 3/04
297/160
D230,669 S * 3/1974 Hendrickson D6/341
3,982,785 A * 9/1976 Ambasz A47C 1/023
297/160
4,084,850 A * 4/1978 Ambasz A47C 3/025
297/248
D249,417 S * 9/1978 Ambasz D6/374
D406,195 S * 3/1999 Gamberini D6/336
D417,342 S * 12/1999 Holbrook D6/341

(Continued)

FOREIGN PATENT DOCUMENTS

AU 350090 8/2013
CL 1961-02 10/2002

(Continued)

Primary Examiner — Sandra Snapp
(74) *Attorney, Agent, or Firm* — Cantor Colburn LLP

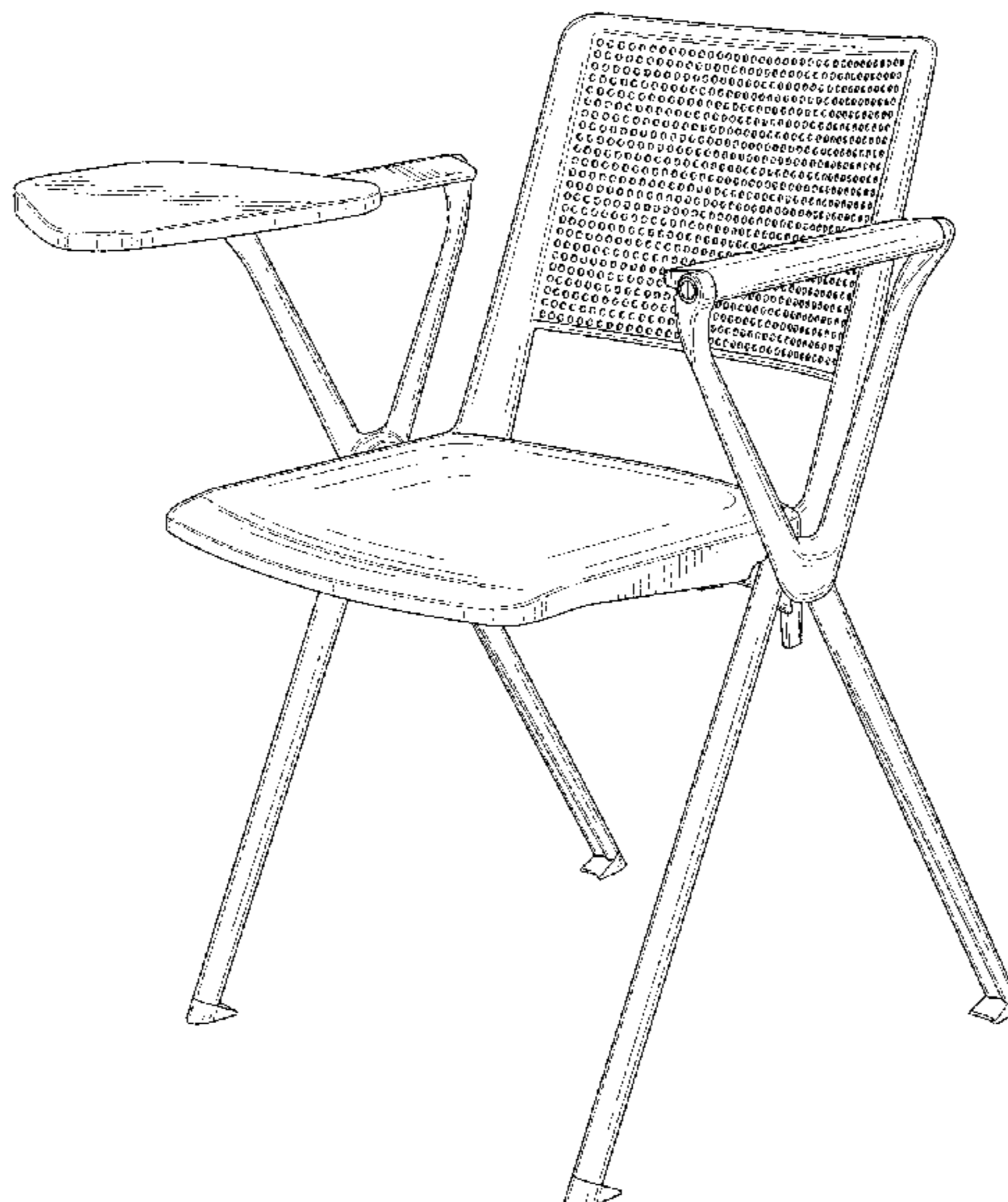
(57) **CLAIM**

The ornamental design for a chair, as shown.

DESCRIPTION

FIG. 1 is a perspective view of a chair showing our new design;
FIG. 2 is a front view thereof;
FIG. 3 is a rear view thereof;
FIG. 4 is a left side view thereof;
FIG. 5 is a right side view thereof; and,
FIG. 6 is a top plan view thereof.

1 Claim, 6 Drawing Sheets



(56)

References Cited

FOREIGN PATENT DOCUMENTS

U.S. PATENT DOCUMENTS						
D464,494	S *	10/2002	Gasca Burges D6/374	CL	1905-13	6/2013
6,669,282	B2 *	12/2003	Piretti A47C 7/70	CL	1906-13	6/2013
			297/162	EM	001963752-0006	12/2001
D513,456	S *	1/2006	Smith D6/376	EM	001216337-0006	5/2010
D555,372	S *	11/2007	Lin D6/336	EM	001216337-0008	5/2010
7,770,968	B2 *	8/2010	Bartlmae A47C 1/124	EM	002208504-0003	3/2013
			297/239	ES	I012901 C	4/1991
D636,612	S *	4/2011	Overthun D6/338	FR	120483-0006	8/1976
D636,613	S *	4/2011	Overthun D6/338	FR	120483-0007	8/1976
D648,554	S *	11/2011	Smith D6/368	FR	126295-0002	4/1978
D649,804	S *	12/2011	Keller D6/374	FR	127617-0001	9/1978
8,317,269	B2 *	11/2012	Smith A47C 1/124	FR	812837-0002	6/1981
			297/239	FR	845383-0001	12/1984
D674,615	S *	1/2013	Blomstrom D6/341	FR	887016-0001	11/1998
D696,032	S *	12/2013	Baccolini D6/341	IT	1992TOO027-0004	2/1992
D747,894	S *	1/2016	Scagnellato D6/380	IT	1997BOO0018-0001	3/1997
2005/0140186	A1 *	6/2005	Piretti A47C 7/70	IT	2001TOO0301-0001	10/2001
			297/162	IT	2007BOO0060-0003	11/2007
				WO	DM/055928	6/2000

* cited by examiner



FIG. 1

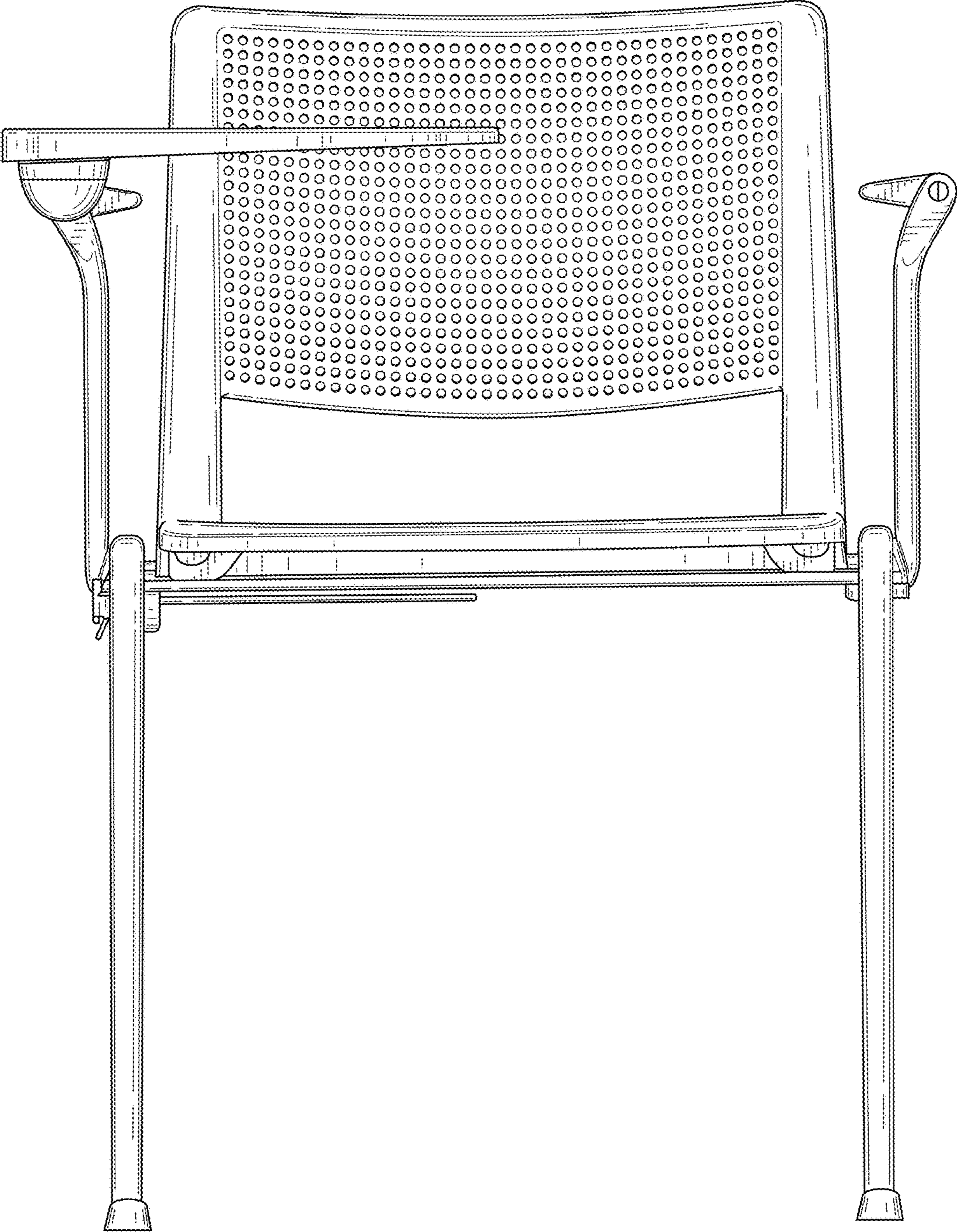


FIG. 2

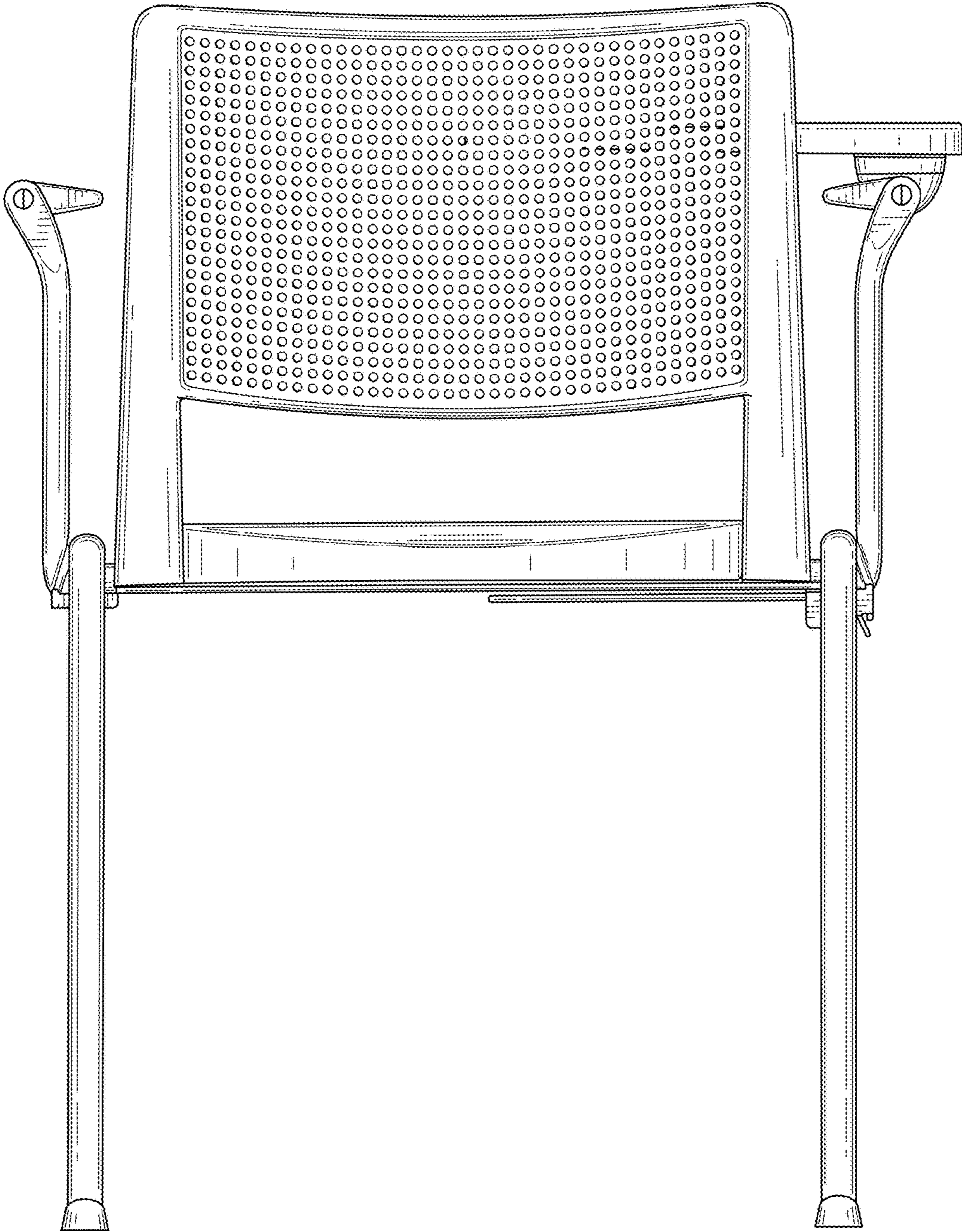


FIG. 3

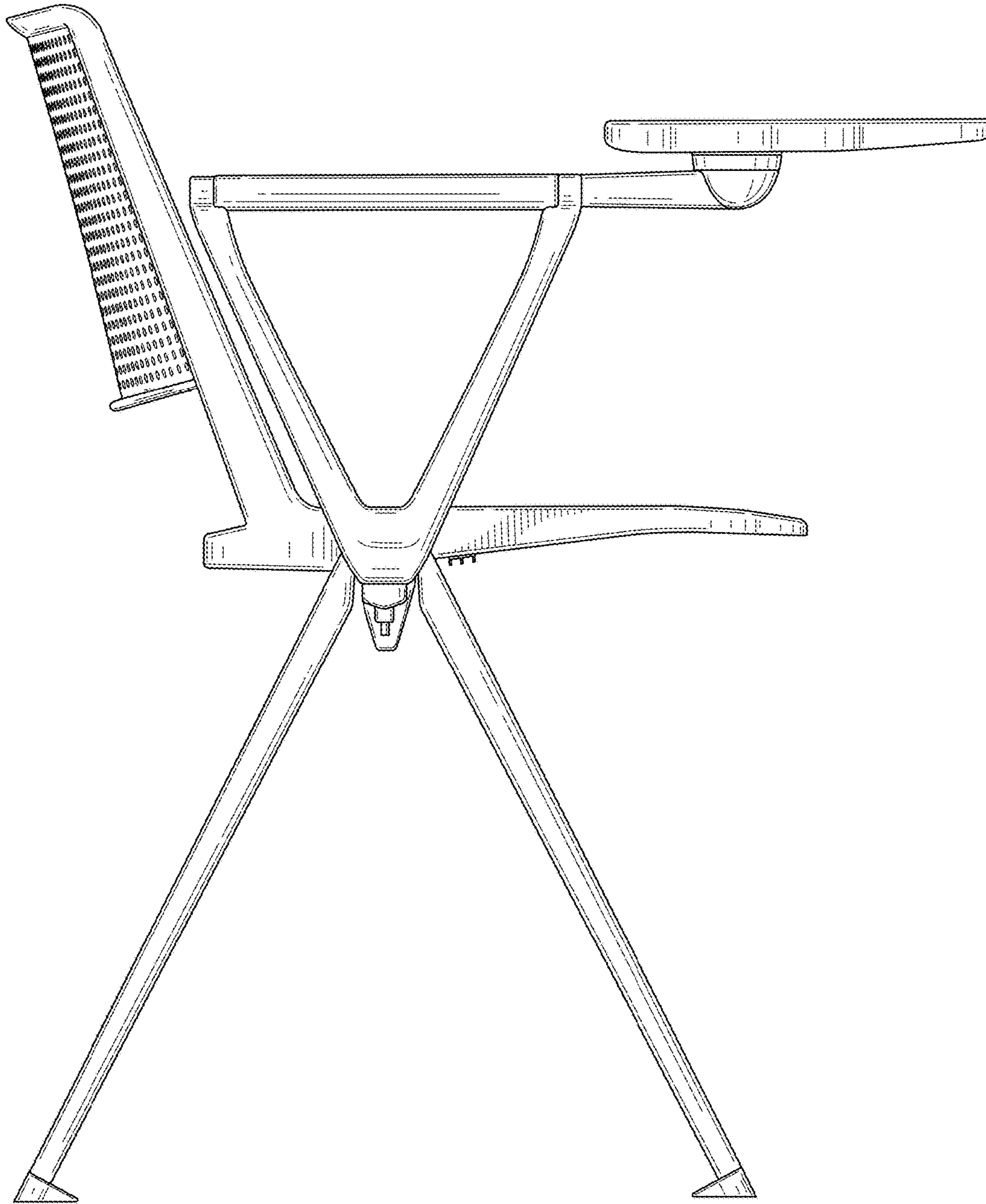


FIG. 4

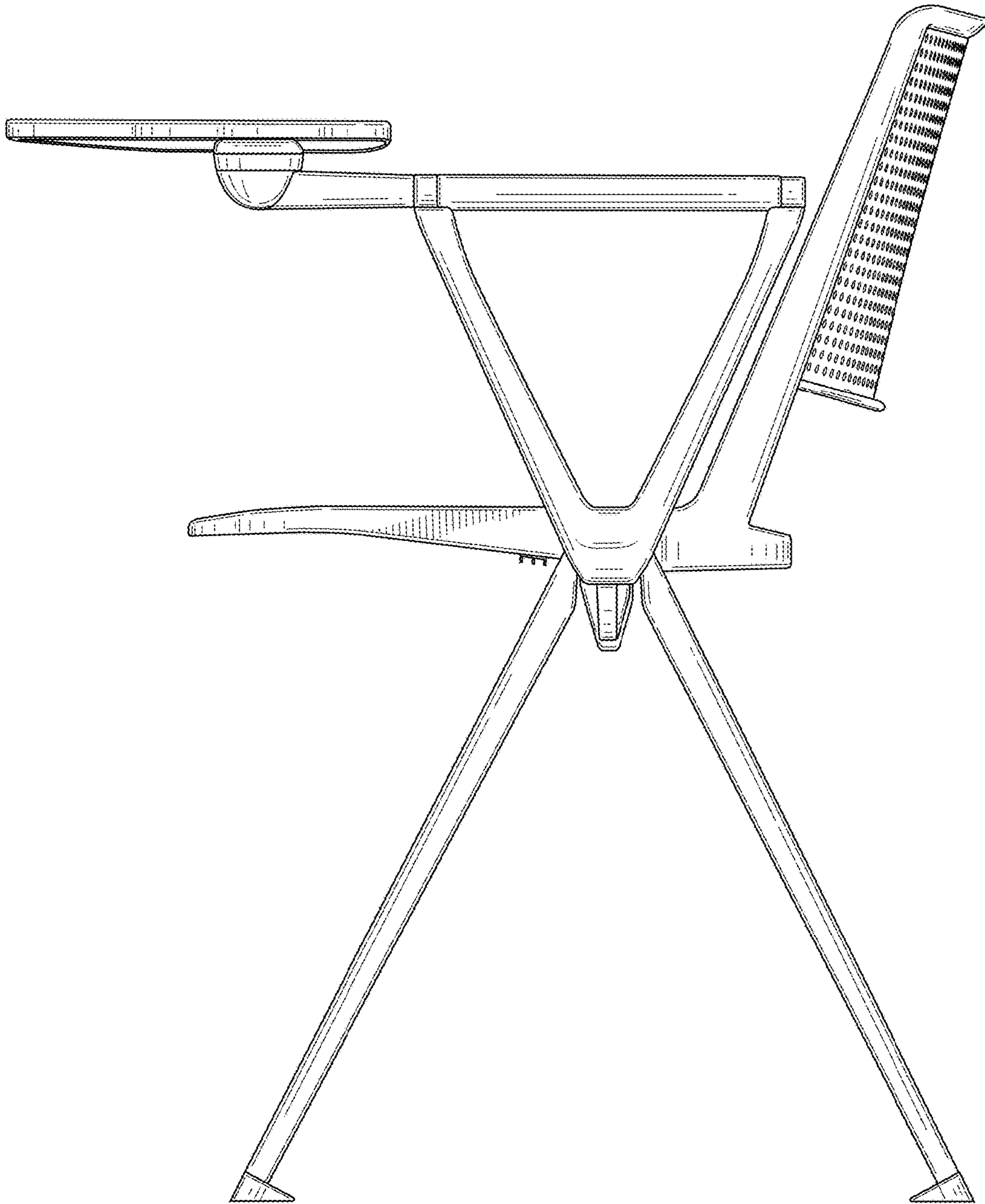


FIG. 5

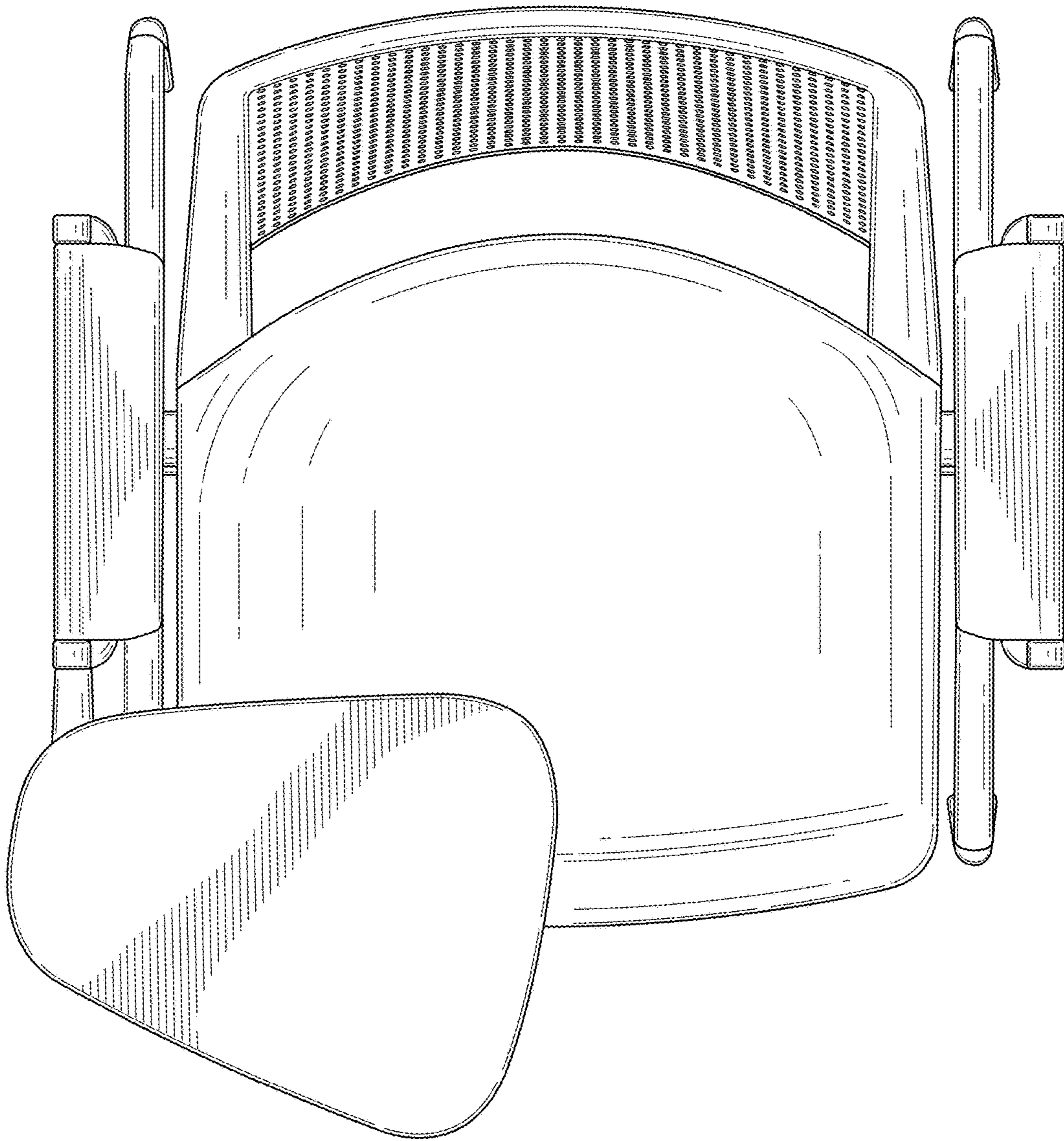


FIG. 6