



US00D784711S

(12) **United States Design Patent**
Kataoka et al.

(10) **Patent No.:** **US D784,711 S**
(45) **Date of Patent:** **** Apr. 25, 2017**

(54) **SEAT UNDER COVER**

(71) Applicant: **TACHI-S CO., LTD.**, Akishima-shi, Tokyo (JP)

(72) Inventors: **Kengo Kataoka**, Tokyo (JP); **Yuhei Chinomi**, Tokyo (JP)

(73) Assignee: **TACHI-S CO., LTD.**, Tokyo (JP)

(**) Term: **15 Years**

(21) Appl. No.: **29/527,847**

(22) Filed: **May 22, 2015**

(30) **Foreign Application Priority Data**

Nov. 27, 2014 (JP) 2014-026455

(51) **LOC (10) Cl.** **06-01**

(52) **U.S. Cl.**
USPC **D6/334**

(58) **Field of Classification Search**

USPC D3/304; D6/304, 336, 356, 366, 553, D6/705, 715, 716.4, 334, 335, 716.5; D8/349, 380; D12/425, 400, 406, 416, D12/420; D13/133, 147, 152, 156, 155; D15/199; D21/330, 335, 349, 470, 478, D21/479, 480, 489, 491

CPC .. A47C 17/38; A47C 7/18; A47C 7/30; B60N 2/4847; B60N 2/4228; B60N 2/48; B60N 2/4802; B60N 2/4861; B60N 2/4855;

(Continued)

(56) **References Cited**

U.S. PATENT DOCUMENTS

3,303,623 A * 2/1967 Hawkins E04D 3/36 52/550

D233,033 S * 10/1974 Donne D12/400

(Continued)

FOREIGN PATENT DOCUMENTS

CN 201530162497 * 5/2015

OTHER PUBLICATIONS

Car Seat Cushion Pan, posted at Made-in-china.com, posting date Dec. 26, 2015, [online], [site visited Sep. 13, 2016]. Available from Internet, <URL: http://kr.made-in-china.com/co_xuanyumachinery/product_Car-Seat-Cushion-Pan-The-Seat-Cushion-Frame-Seat-Plastic-Frame-Xz-002_egogghng.html>.*

(Continued)

Primary Examiner — Thomas Johannes

Assistant Examiner — Catherine Ho

(74) *Attorney, Agent, or Firm* — Miles & Stockbridge P.C.

(57) **CLAIM**

The ornamental design for a seat under cover, as shown and described.

DESCRIPTION

FIG. 1 is a perspective view of a seat under cover showing our new design;

FIG. 2 is a front elevational view thereof;

FIG. 3 is a rear elevational view thereof;

FIG. 4 is a left side elevational view thereof;

FIG. 5 is a right side elevational view thereof;

FIG. 6 is a top plan view thereof;

FIG. 7 is a bottom plan view thereof;

FIG. 8 is an enlarged cross sectional view taken along line 8-8 in FIG. 2 thereof;

FIG. 9 is an enlarged perspective view cross sectional view taken along line 9-9 in FIG. 8 thereof;

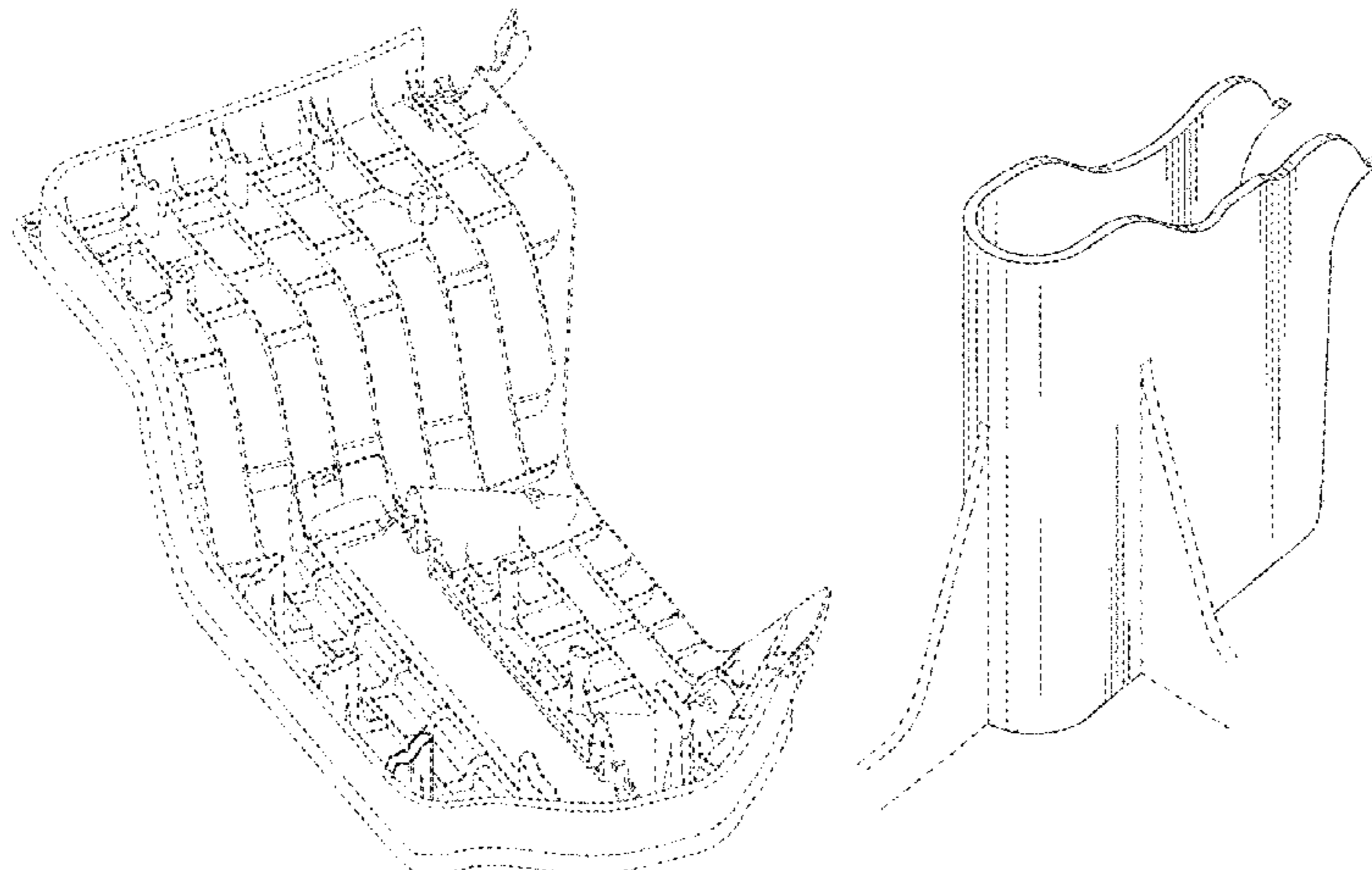
FIG. 10 is a cross sectional view taken along line 10-10 in FIG. 2 thereof;

FIG. 11 is a cross-sectional view taken along line 11-11 in FIG. 8. thereof; and,

FIG. 12 is a cross-sectional view taken along line 12-12 in FIG. 8.

The broken lines shown in the drawings represent portions of the seat under cover that form no part of the claimed design.

1 Claim, 9 Drawing Sheets



(58) **Field of Classification Search**

CPC . B60N 2/4817; B60N 2/4882; B60N 2/4885;
B60N 2/02; B60N 2/427; B60N 2/68;
B60N 2/42; B60N 2/44; B29C 44/18;
H02G 3/18; F16C 21/00

See application file for complete search history.

(56) **References Cited**

U.S. PATENT DOCUMENTS

4,590,727 A * 5/1986 Ghahremani E04D 13/1637
52/222
D502,347 S * 3/2005 Mendini D6/553
D557,898 S * 12/2007 Feldmann D3/304
D575,139 S * 8/2008 LePoire D8/349
D680,082 S * 4/2013 Weeks D13/156
D756,936 S * 5/2016 Baldwin D13/155
D763,576 S * 8/2016 Leblanc D3/289
D763,662 S * 8/2016 Ezell D8/349

D763,802 S * 8/2016 Gee, III D13/156
2009/0309397 A1* 12/2009 Gross B60N 2/4221
297/216.1
2016/0185265 A1* 6/2016 Romer B60N 2/68
297/216.1

OTHER PUBLICATIONS

Automotive Drives Injection Overmolding of Composite Sheet, posted at Ptonline.com, posting date Apr. 2012, [online], [site visited Sep. 13, 2016]. Available from Internet, <URL: <http://www.ptonline.com/articles/automotive-drives-injection-overmolding-of-composite-sheet>>.*

E38→E39 Active Seat & Lumbar Retrofit, posted at Bimmerforums.com, posting date Aug. 2, 2009, [online], [site visited Sep. 13, 2016]. Available from Internet, <URL: <http://www.bimmerforums.com/forum/showthread.php?1281944-E38-gt-E39-Active-Seat-amp-Lumbar-Retrofit>>.*

Bmw e36 Vader+ Seat Swap, posted at Carolinaeuros.com, posting date Jan. 29, 2009, [online], [site visited Sep. 13, 2016]. Available from Internet, <URL: <http://forums.carolinaeuros.com/topic/5796-bmw-e36-vader-seat-swaprepairdisassembly/>>.*

* cited by examiner

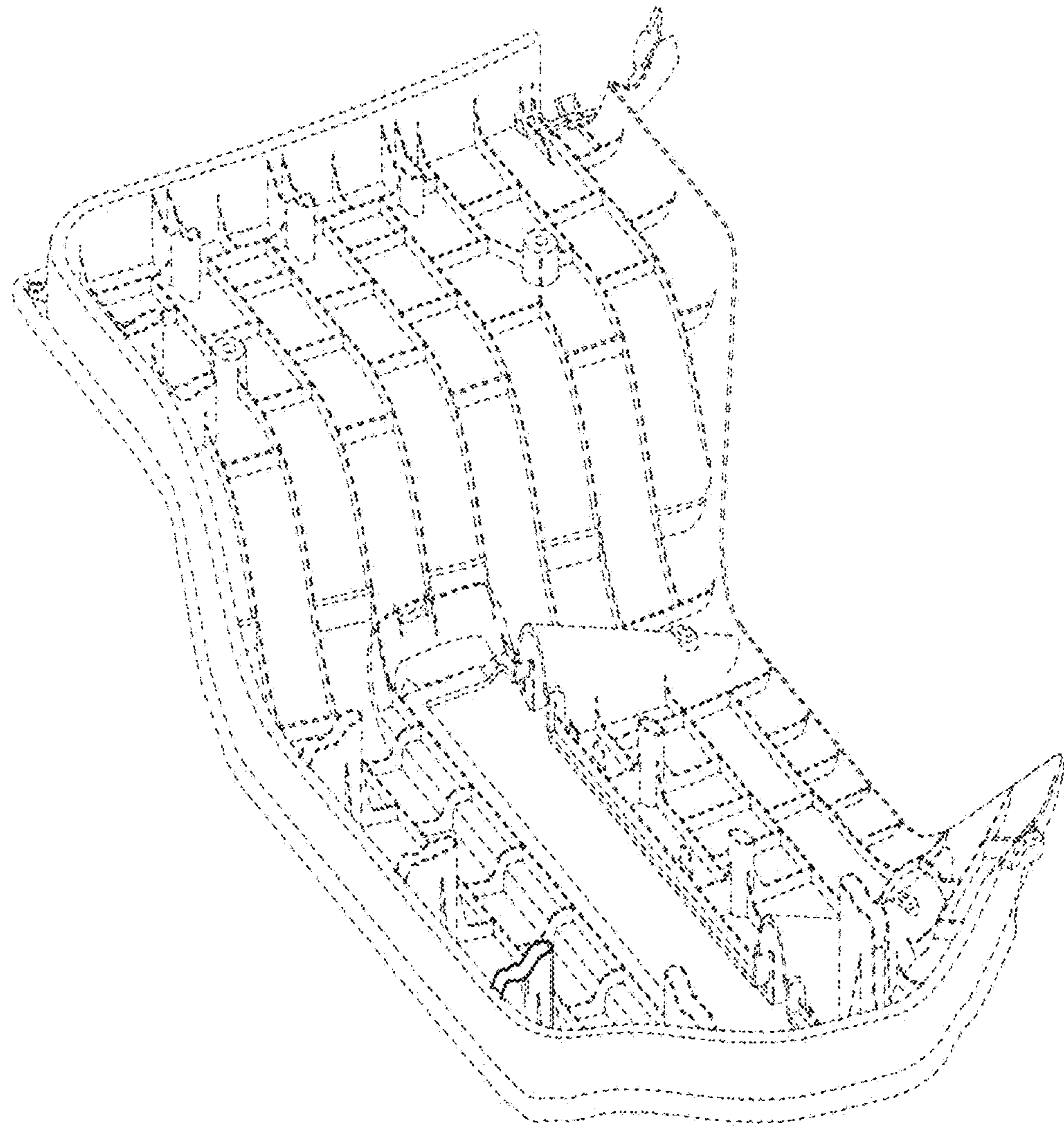


FIG. 1

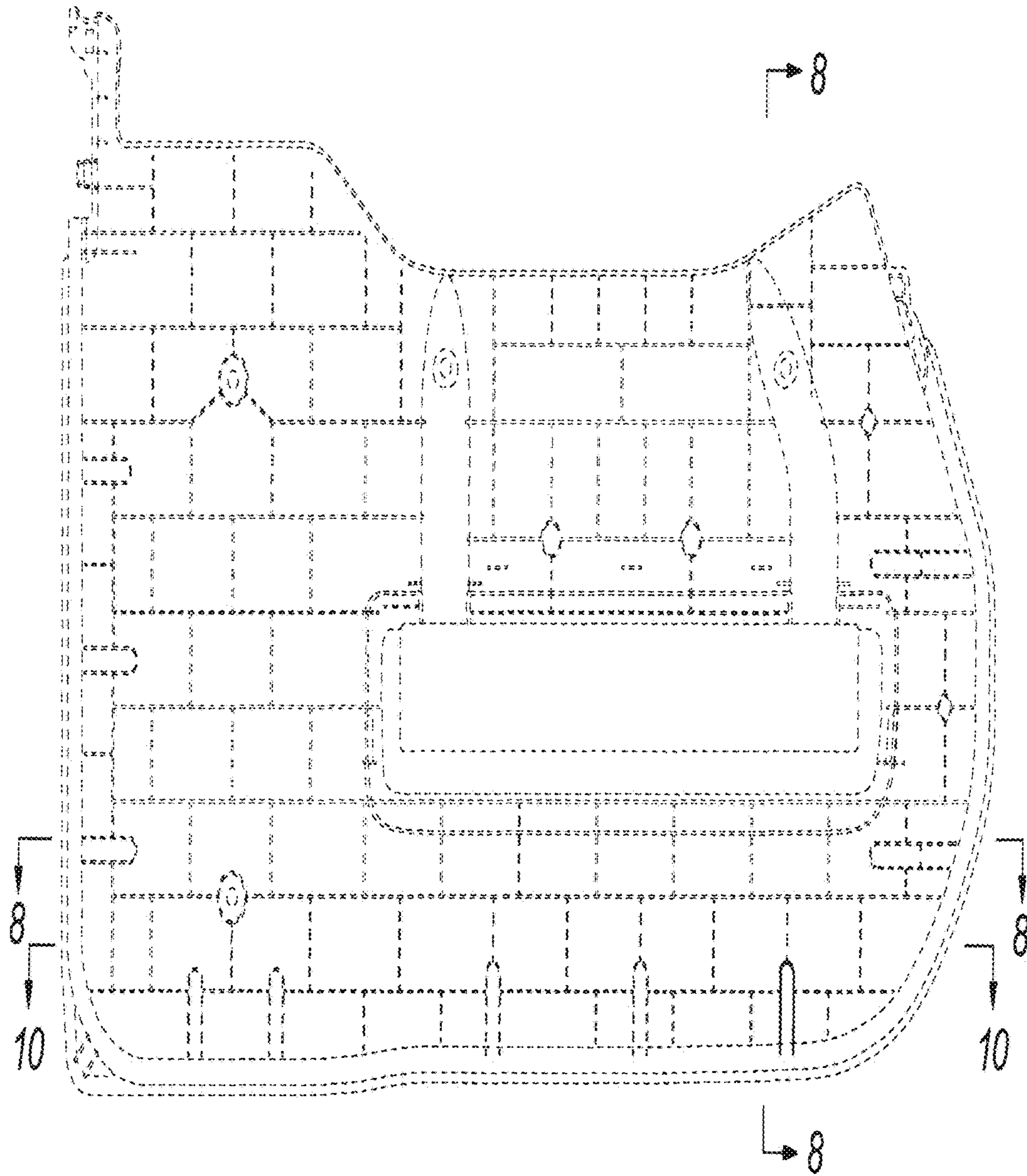


FIG. 2

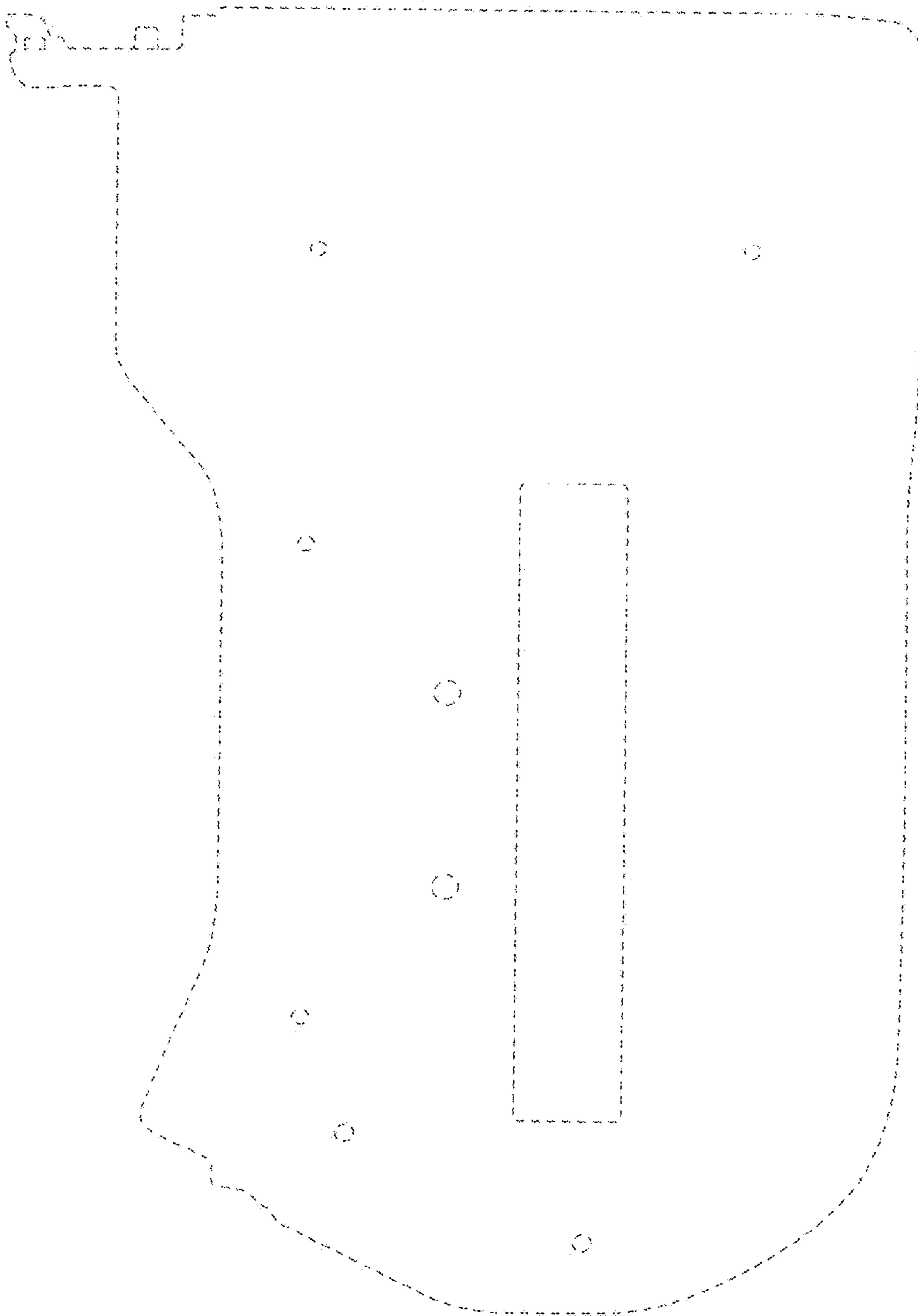


FIG. 3

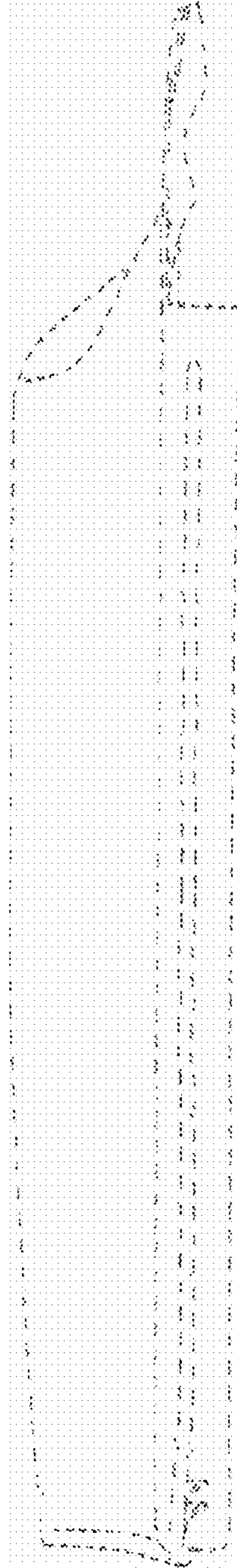


FIG. 4

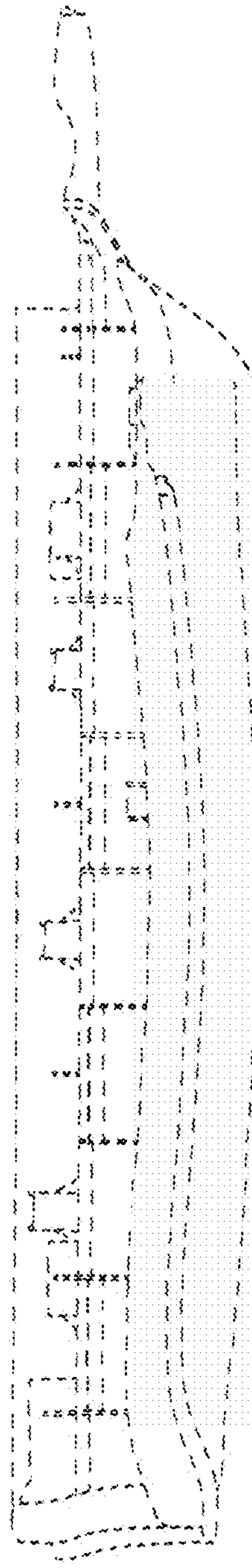


FIG. 5

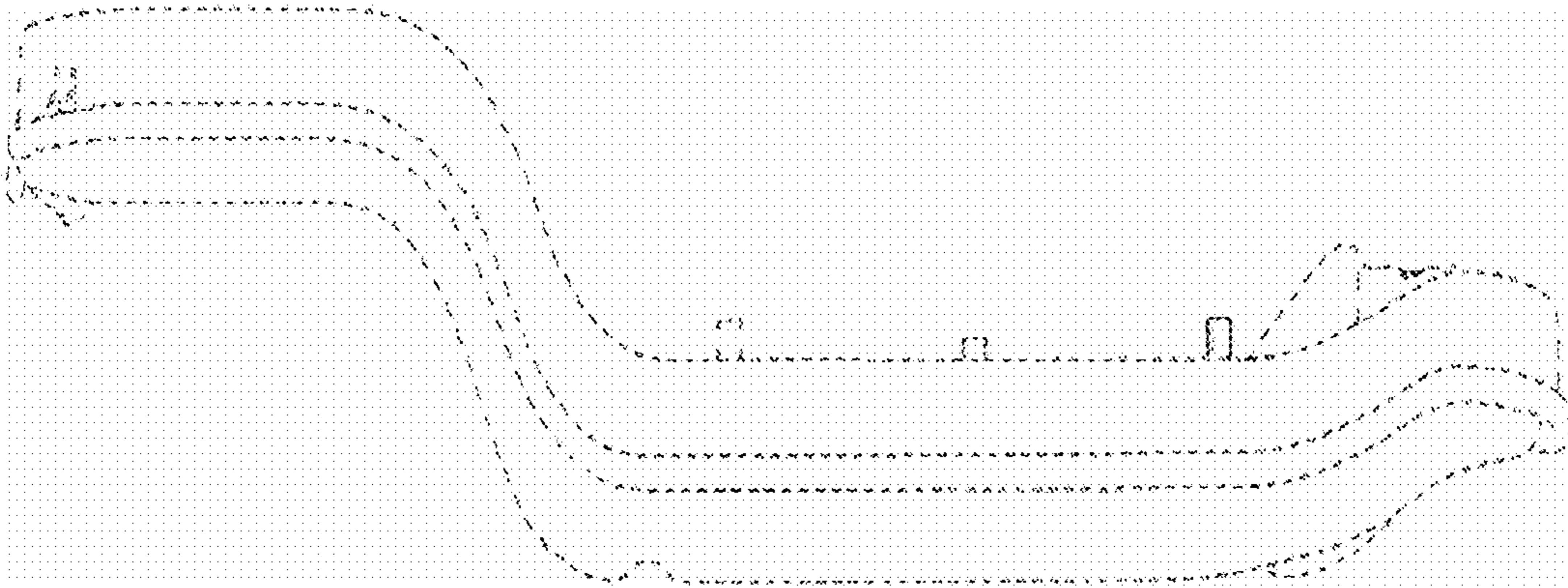


FIG. 7

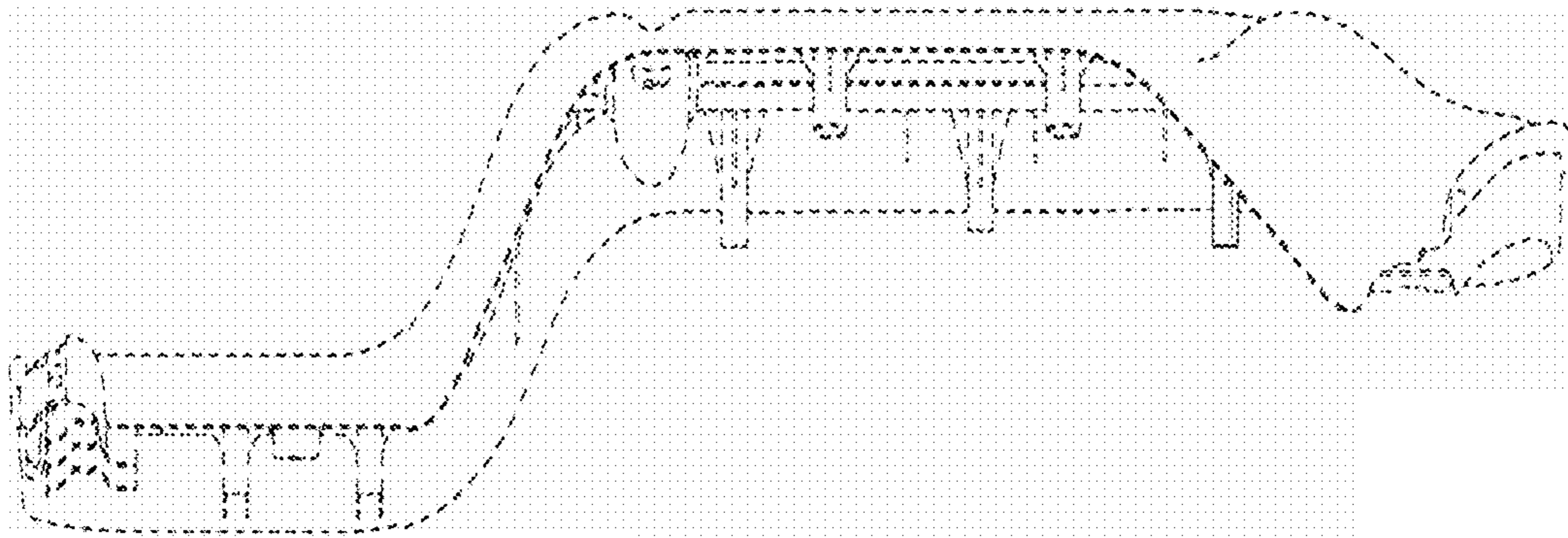


FIG. 6

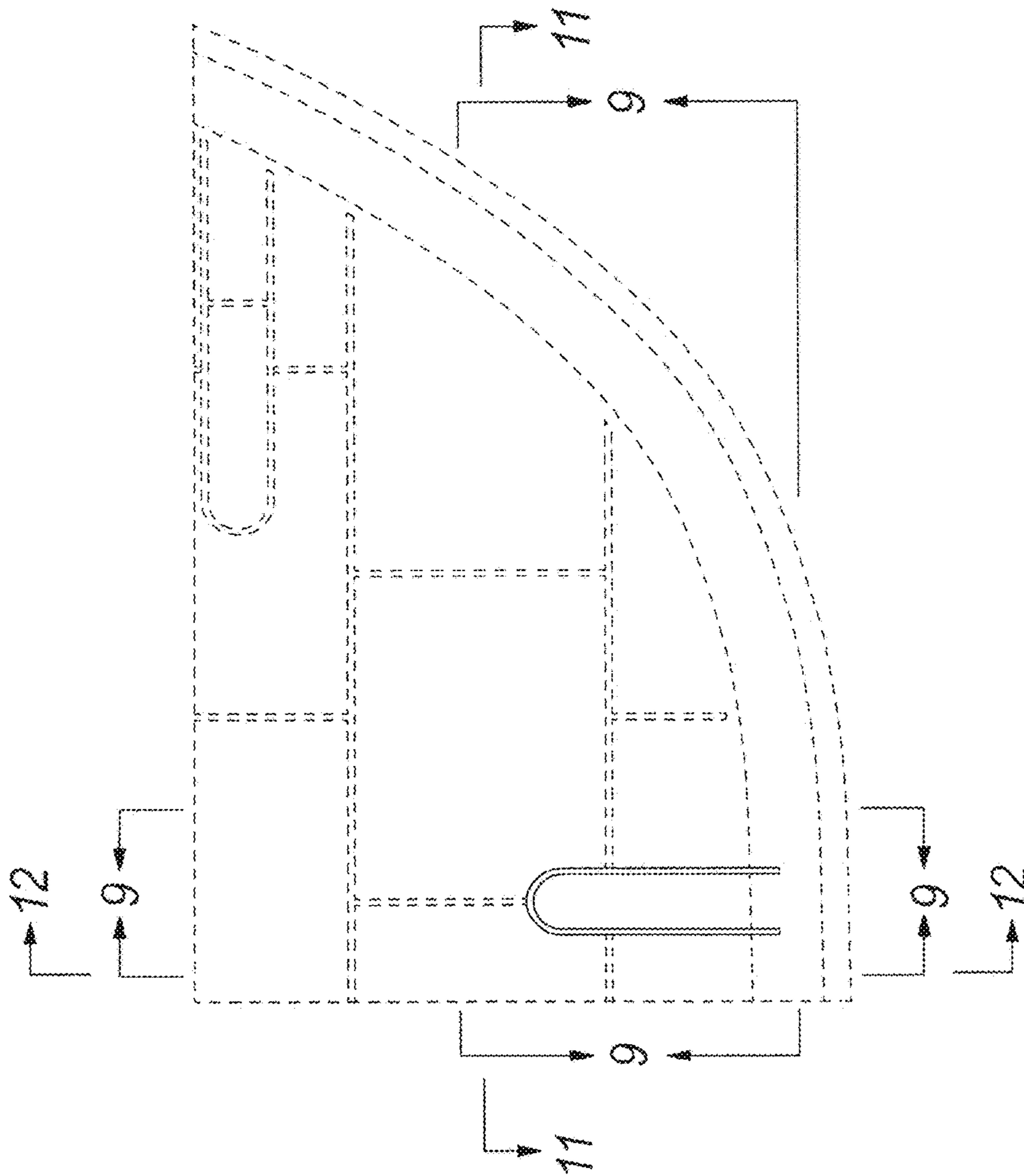


FIG. 8

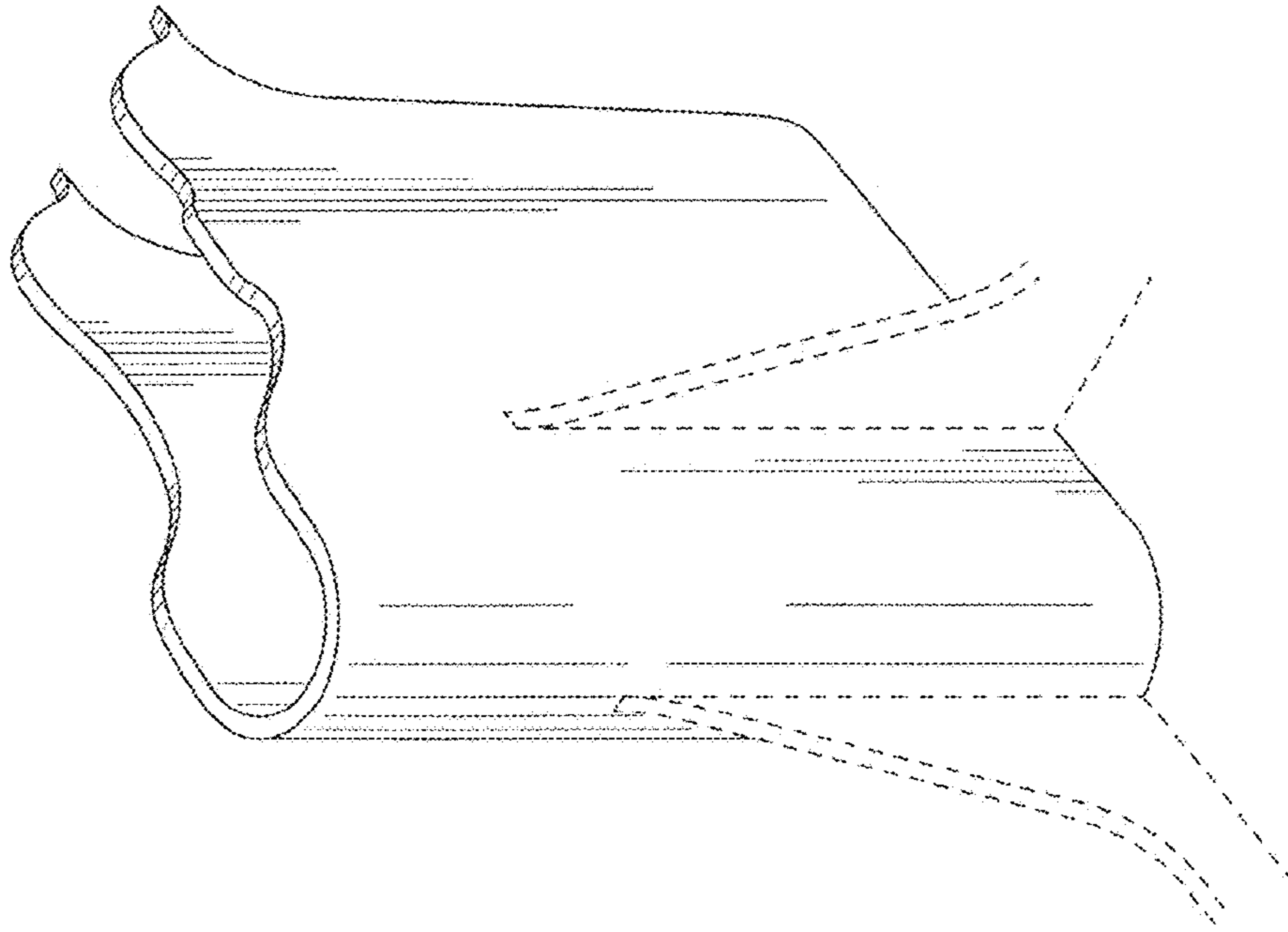


FIG. 9

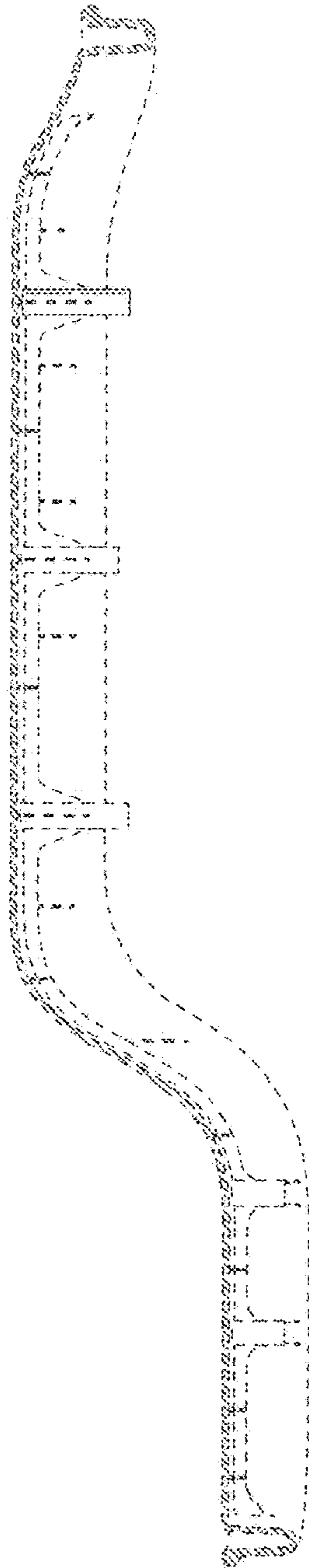


FIG. 10

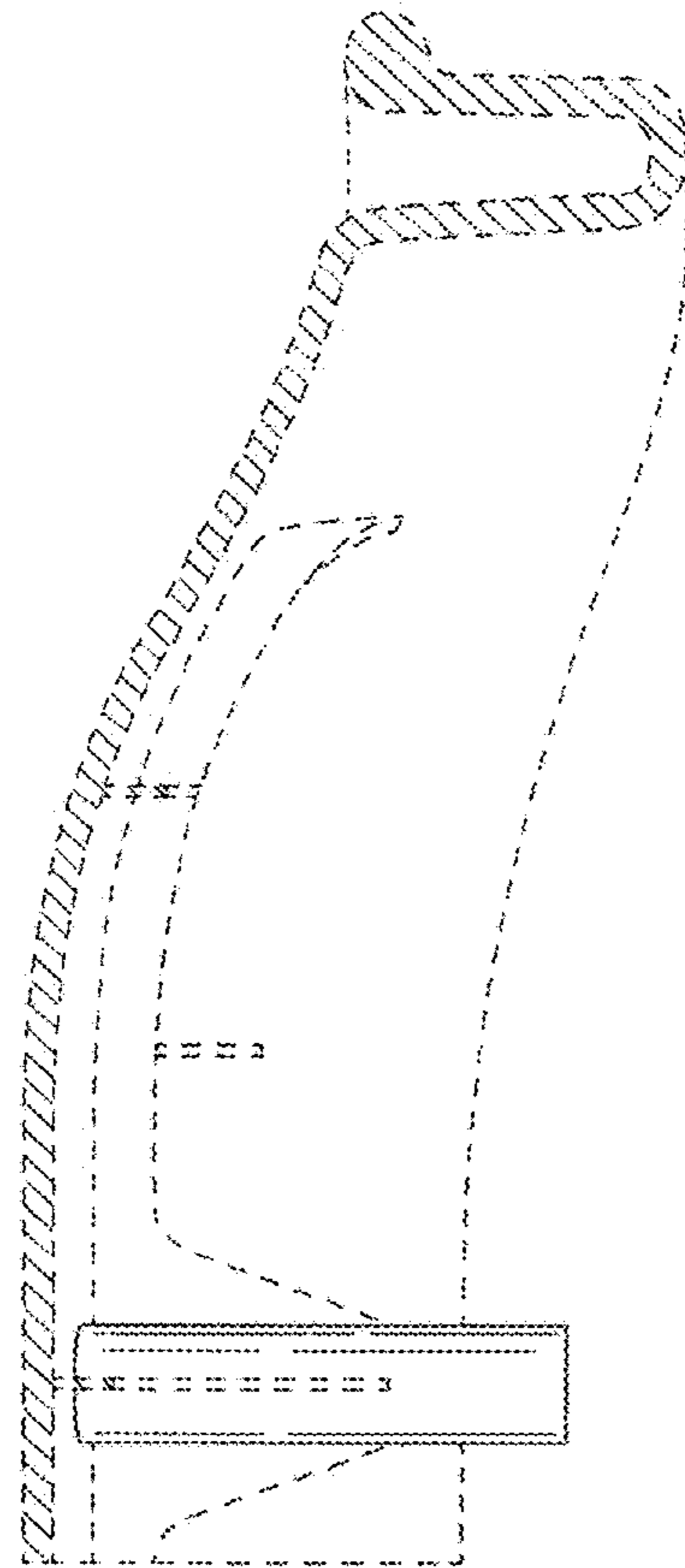


FIG. 11

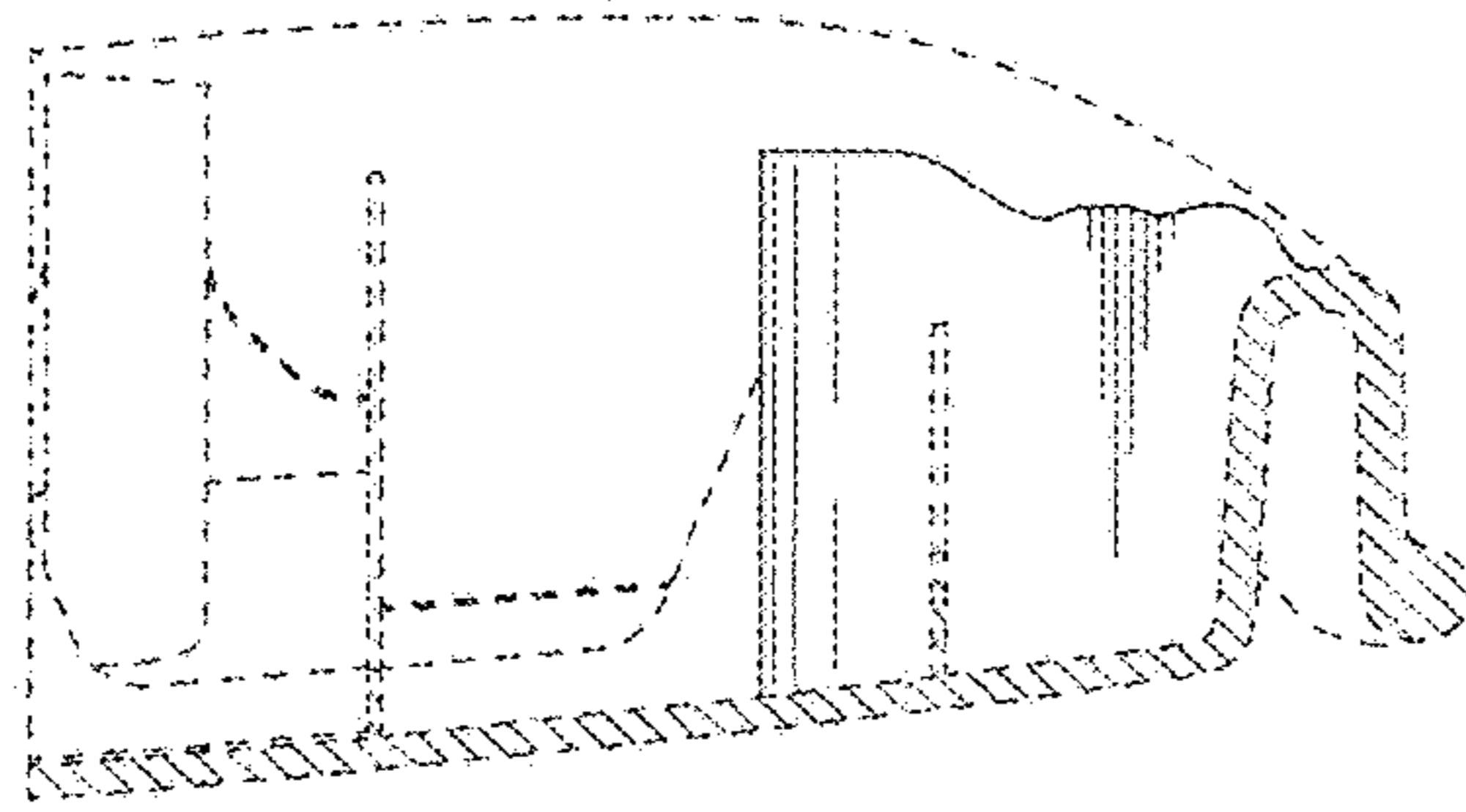


FIG. 12