



US00D784710S

(12) **United States Design Patent** (10) **Patent No.:** **US D784,710 S**
Presman et al. (45) **Date of Patent:** **** Apr. 25, 2017**

(54) **HANGING ACCESSORY ORGANIZER**

D472,063 S * 3/2003 Weichert D6/315
6,836,899 B1 * 1/2005 Glasmire A45F 5/04
2/323

(71) Applicant: **BEN BAT LTD.**, Shefayim (IL)

6,874,624 B2 4/2005 Redzisz
D531,681 S * 11/2006 Larian D21/576
D574,896 S * 8/2008 Kendrick D20/42
D603,172 S * 11/2009 Topjian D6/316
7,810,655 B2 10/2010 Wang

(72) Inventors: **Paul Presman**, Kfar Saba (IL); **Costa Presman**, Ra'anana (IL)

(73) Assignee: **BEN BAT LTD.**, Shefayim (IL)

* cited by examiner

(**) Term: **14 Years**

Primary Examiner — Derrick Holland

Assistant Examiner — Lauren Calve

(21) Appl. No.: **29/497,141**

(74) *Attorney, Agent, or Firm* — Novick, Kim & Lee, PLLC; Harold L. Novick

(22) Filed: **Jul. 21, 2014**

(51) **LOC (10) Cl.** **06-08**

(57) **CLAIM**

(52) **U.S. Cl.**
USPC **D6/316**

The ornamental design for a hanging accessory organizer, substantially as shown and described.

(58) **Field of Classification Search**

DESCRIPTION

USPC D6/315-328, 563, 564; 223/85-98;
211/1, 13.1, 85.3, 113; D21/619, 620;
D3/21, 211, 234, 235, 271.2
CPC A47G 25/28; A47G 25/485; A47G 25/26;
A47G 25/743; A47G 25/30; A47G
25/625; A47G 29/08; A47F 7/19; A47B
61/003; A47B 61/02; Y10S 206/806;
Y10S 223/02; Y10T 29/49826; Y10T
24/51

See application file for complete search history.

FIG. 1 is a front perspective view of the hanging accessory organizer, showing our new design;
FIG. 2 is a rear perspective view of the hanging accessory organizer;
FIG. 3 is a front elevation view of the hanging accessory organizer;
FIG. 4 is a rear elevation view of the hanging accessory organizer;
FIG. 5 is a left side elevation view of the hanging accessory organizer;
FIG. 6 is a right side elevation view of the hanging accessory organizer;
FIG. 7 is a top plan view of the hanging accessory organizer;
and,
FIG. 8 is a bottom plan view of the hanging accessory organizer.

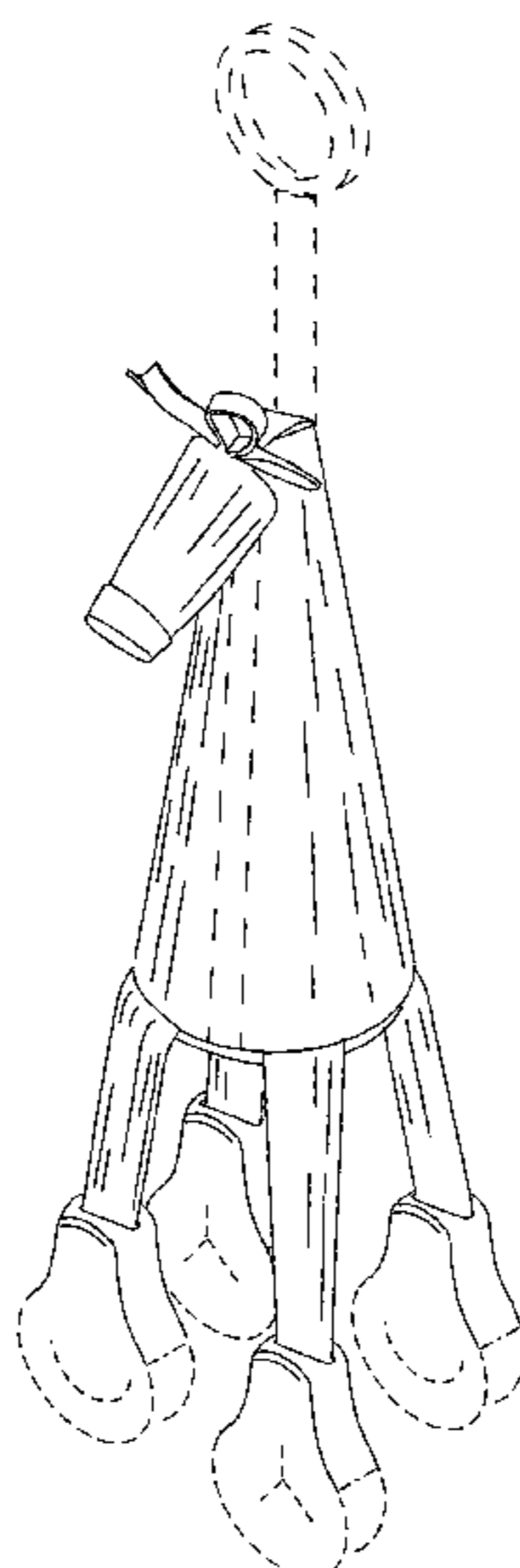
The broken dash lines shown represent unclaimed subject matter and form no part of the claimed design.
The dot-dash lines shown represent an unclaimed boundary line and form no part of the claimed design.

(56) **References Cited**

U.S. PATENT DOCUMENTS

D141,523 S * 6/1945 Gilliam D21/620
D146,014 S * 12/1946 Berna 211/1
D156,401 S * 12/1949 Berman D21/639
D159,893 S * 8/1950 Douglas et al. D21/617
D196,994 S * 11/1963 Terry D21/629
4,846,430 A 7/1989 Ke
4,877,163 A * 10/1989 Zimmerman A47G 25/30
223/93
D345,059 S * 3/1994 Rogers D6/315
D363,185 S 10/1995 Thompson
D370,029 S 5/1996 Green et al.

1 Claim, 8 Drawing Sheets



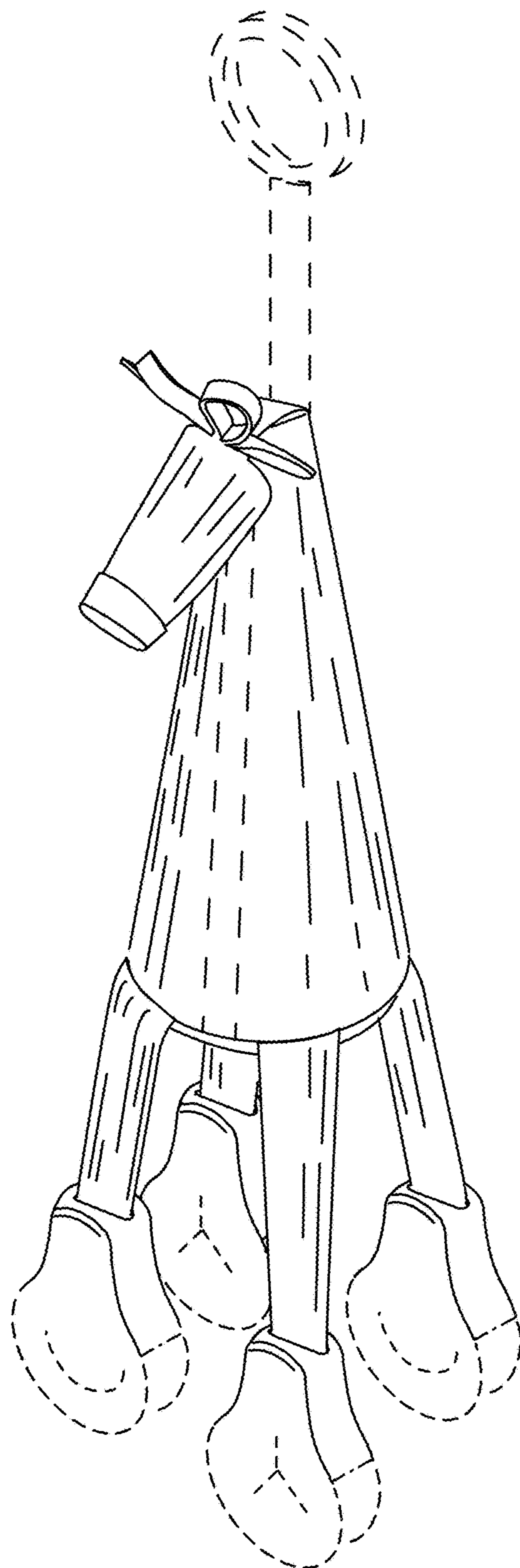


Fig. 1

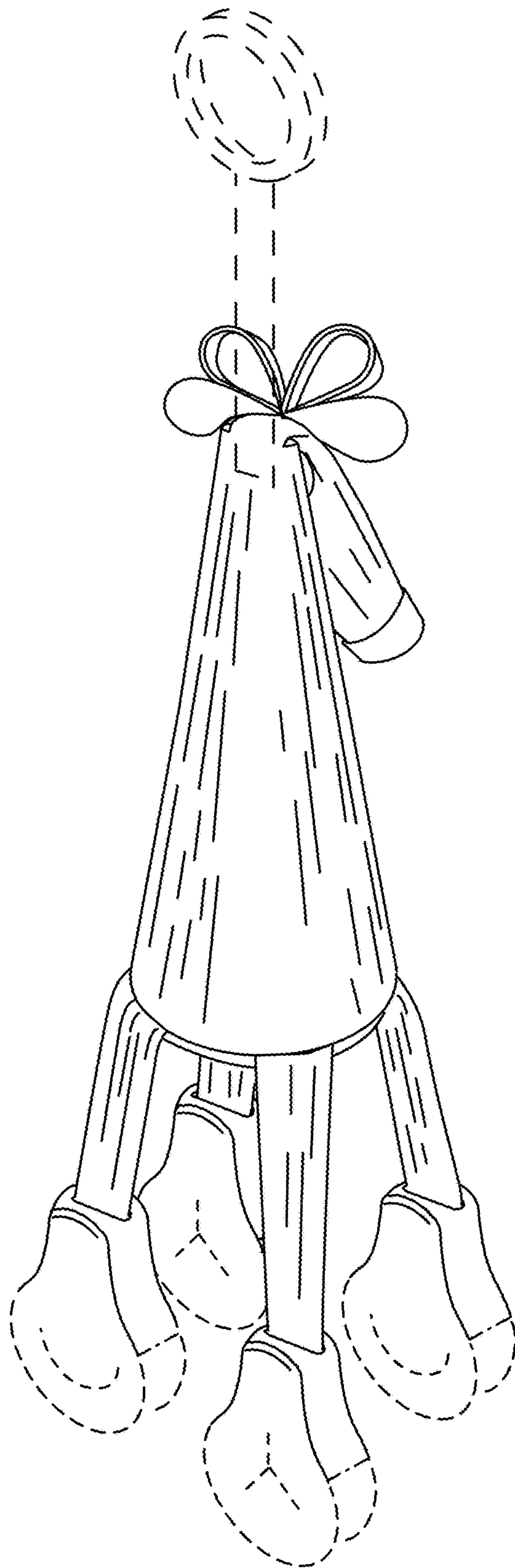


Fig. 2

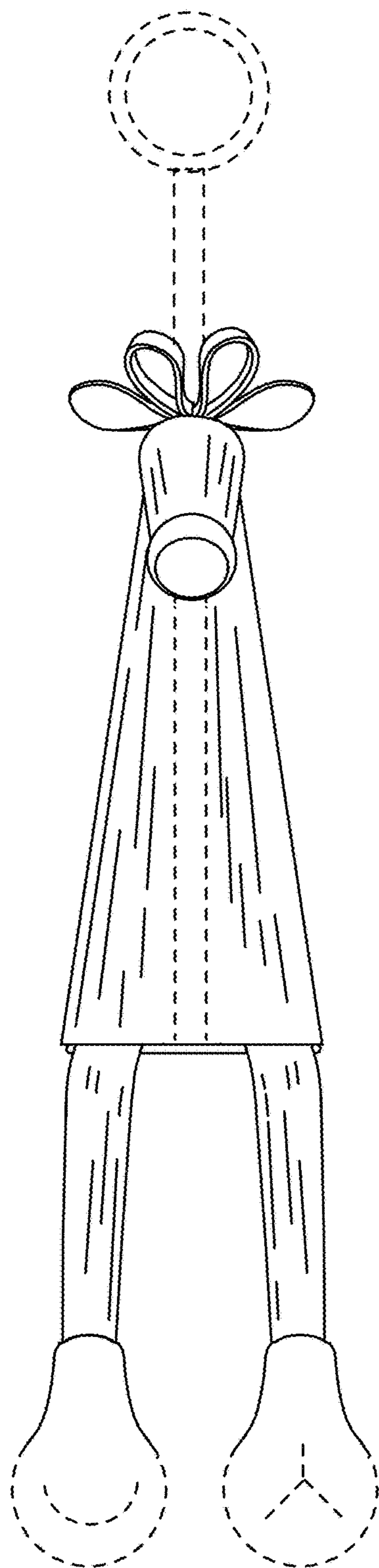


Fig. 3

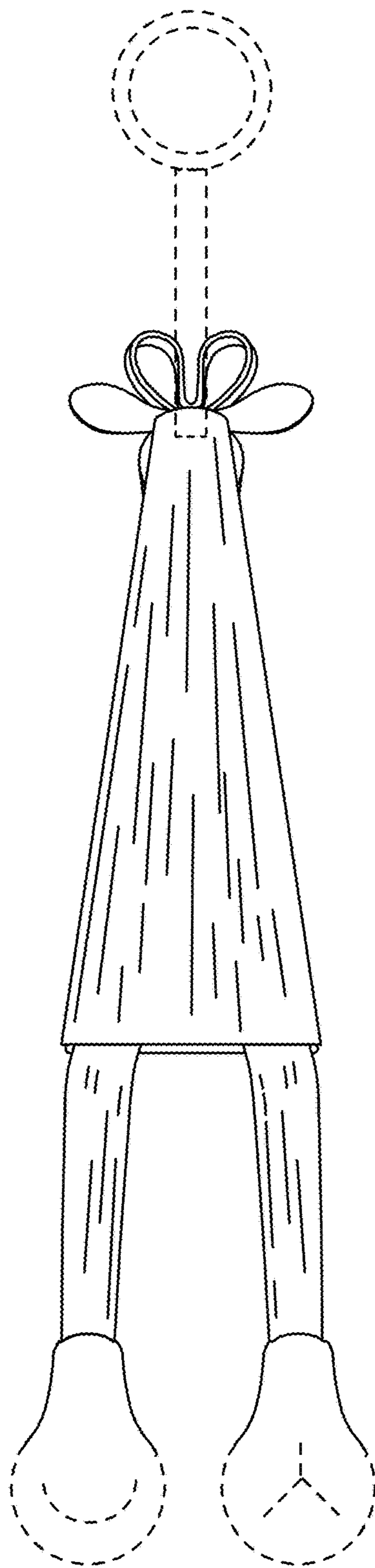


Fig. 4

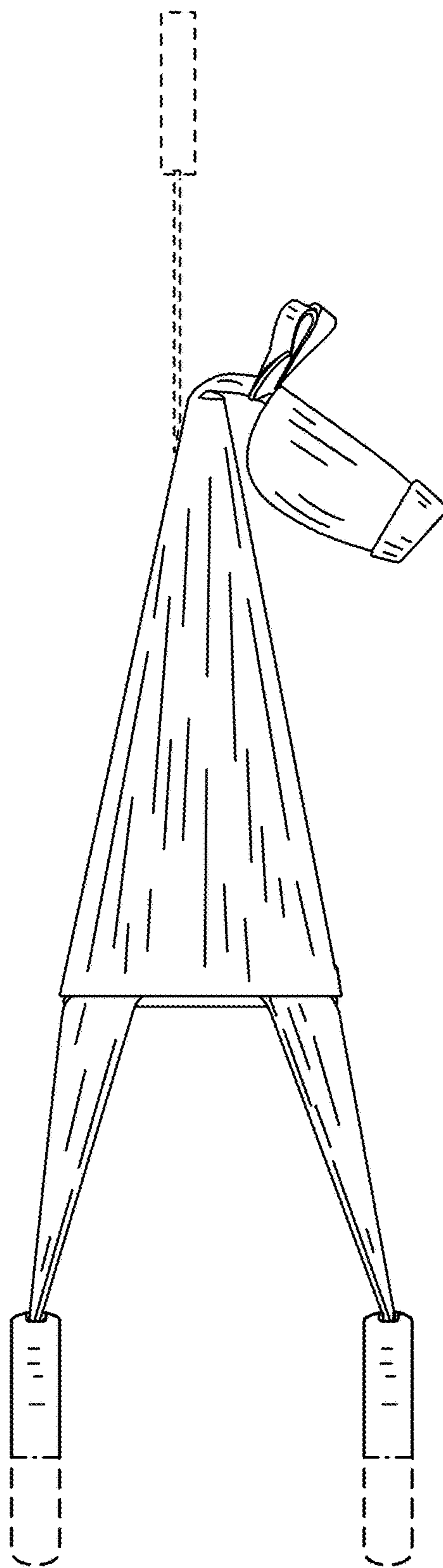


Fig. 5

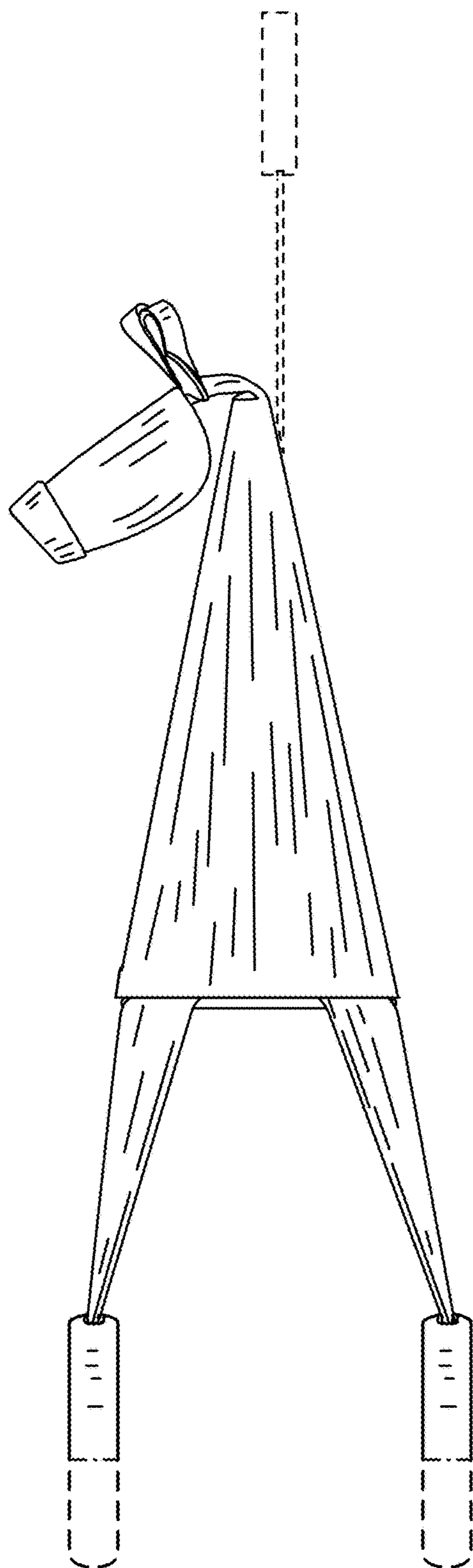


Fig. 6

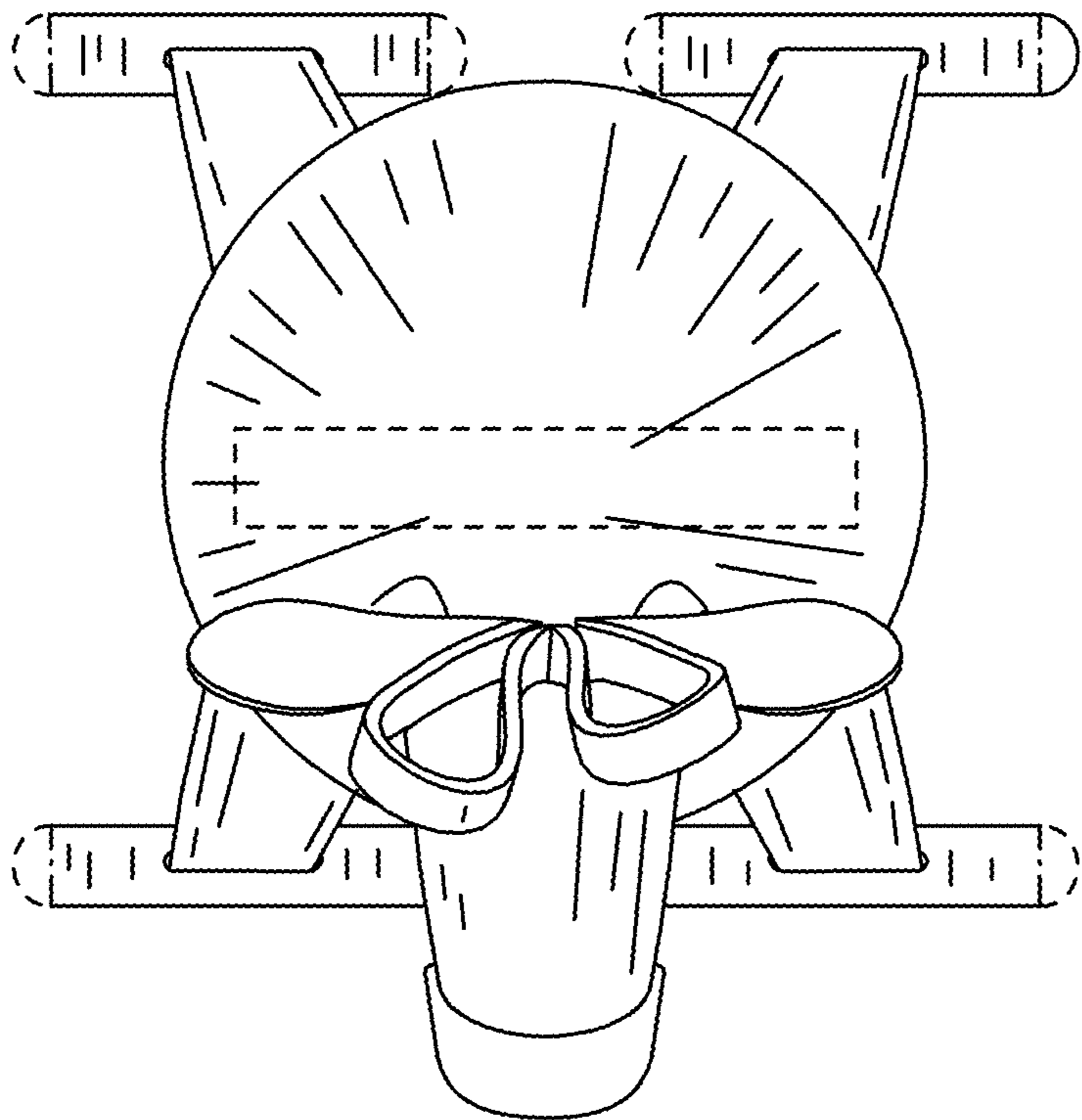


Fig. 7

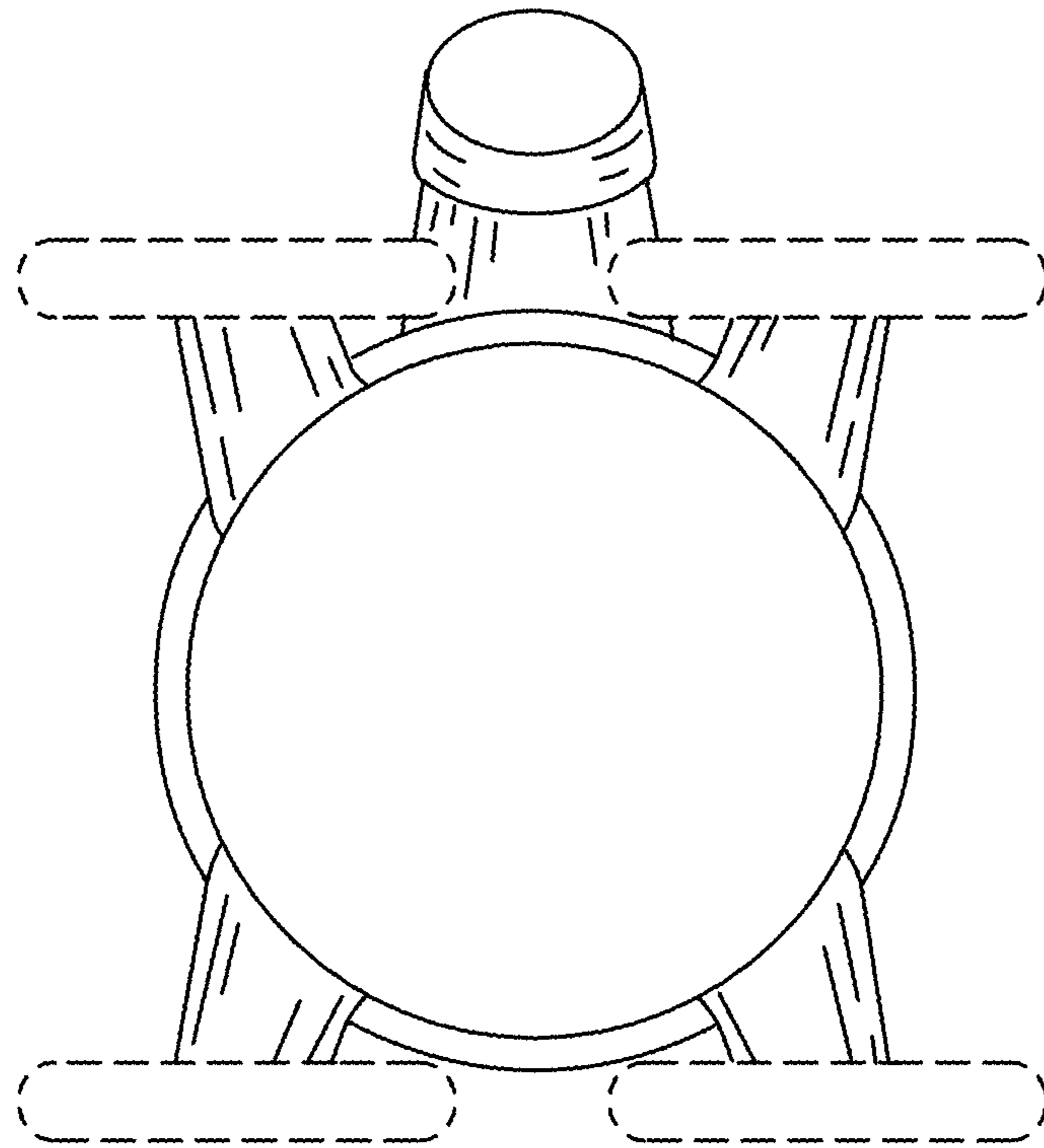


Fig. 8