



US00D784709S

(12) **United States Design Patent**  
**Katav**

(10) **Patent No.:** **US D784,709 S**

(45) **Date of Patent:** **\*\* Apr. 25, 2017**

(54) **INTERLOCKING BLOCK FOR ARTWORK**

(71) Applicant: **Cupixel, Inc.**, Newton, MA (US)

(72) Inventor: **Elad Katav**, Newton, MA (US)

(73) Assignee: **Cupixel, Inc.**, Newton, MA (US)

(\*\*) Term: **14 Years**

(21) Appl. No.: **29/519,360**

(22) Filed: **Mar. 4, 2015**

(51) **LOC (10) Cl.** ..... **06-07**

(52) **U.S. Cl.**  
USPC ..... **D6/300; D11/131**

(58) **Field of Classification Search**  
USPC ..... D6/300-312; D11/131, 132, 155, 184;  
D21/484-506, 468, 471, 478, 386, 389,  
D21/404, 470, 479; D25/113-116, 118;  
446/69, 85, 102-128; 434/208, 259, 403;  
273/153 R, 156 R, 157 R, 160, 276;  
40/735, 729, 730, 605, 711, 714-716,  
40/722, 745; 428/39  
CPC .. A63F 9/12; A63F 2009/1292; A63F 9/1288;  
A63F 2009/1248; A63F 9/1292; A63H  
33/04; A63H 33/044; A63H 33/06; A47G  
1/065

See application file for complete search history.

(56) **References Cited**

**U.S. PATENT DOCUMENTS**

- 1,189,527 A \* 7/1916 Barnhart ..... A63F 9/12  
273/160
- D166,882 S \* 5/1952 Schlage ..... D25/113
- 3,546,792 A \* 12/1970 Sherman ..... A63H 33/088  
273/160
- 3,873,096 A \* 3/1975 Shoptaugh ..... A63F 9/12  
273/156
- 4,258,497 A \* 3/1981 Ellison ..... A63H 33/04  
446/85

- 4,534,563 A \* 8/1985 Guenther ..... A63F 9/12  
273/157 R
- 4,777,067 A \* 10/1988 Woronow ..... B44C 3/025  
156/60
- D375,330 S \* 11/1996 Ritzman ..... D21/479

(Continued)

**OTHER PUBLICATIONS**

The Three-Piece Block Puzzle (via johnrausch.com), available Jun. 30, 1998, [online], [site visited Nov. 7, 2016]. Available from internet, <URL: <http://www.johnrausch.com/PuzzlingWorld/chap04.htm>.\*

(Continued)

*Primary Examiner* — Cathron Brooks  
*Assistant Examiner* — Teddy Falloway  
(74) *Attorney, Agent, or Firm* — Foley Hoag LLP; Rajesh Vallabh

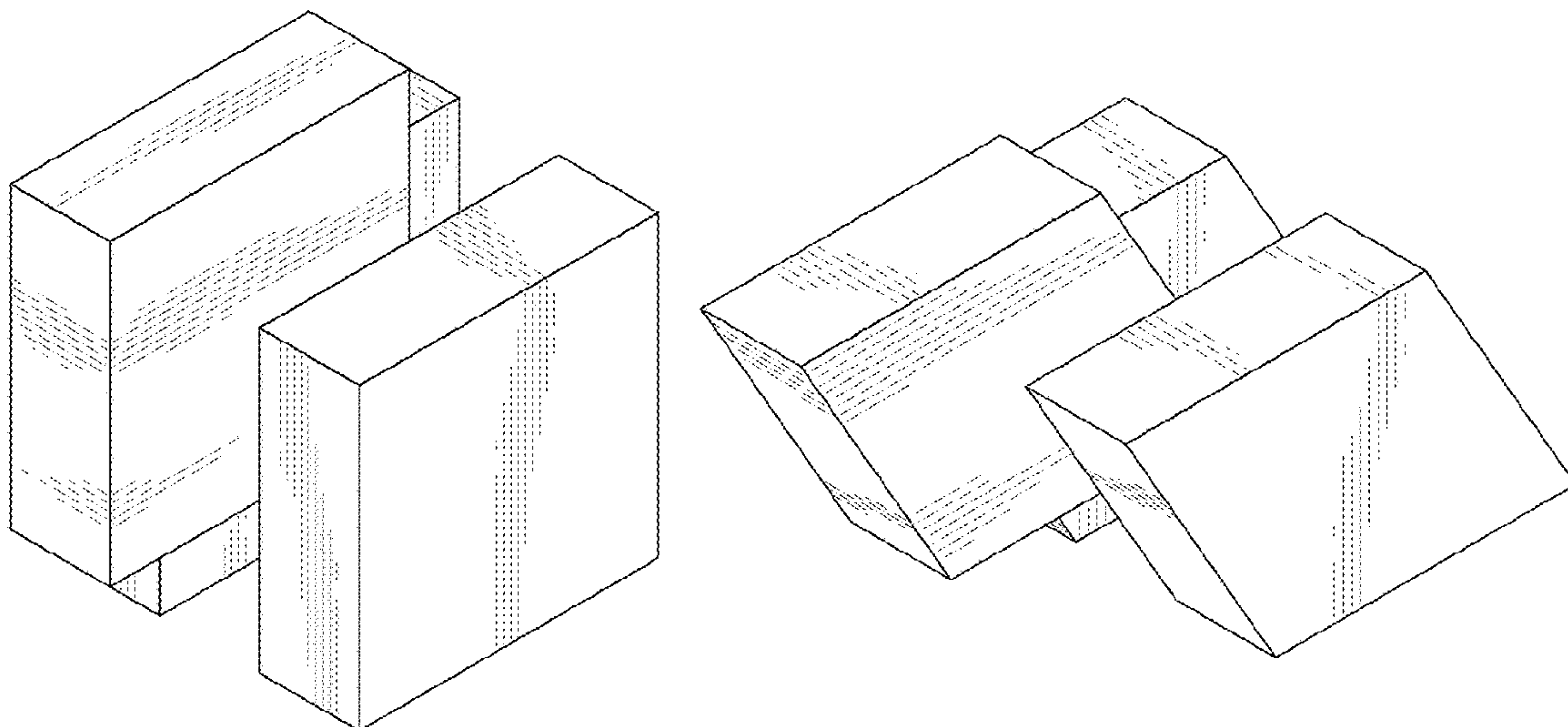
(57) **CLAIM**

The ornamental design for an interlocking block for artwork, as shown and described.

**DESCRIPTION**

FIG. 1 is a perspective view of a first embodiment of an interlocking block for artwork showing my new design; FIG. 2 is a front view thereof; FIG. 3 is a bottom view thereof; FIG. 4 is a left side view thereof, the right side view being a mirror image thereof; FIG. 5 is a top view thereof; and FIG. 6 is a rear view thereof. FIG. 7 is a perspective view of a second embodiment of an interlocking block for artwork showing my new design; FIG. 8 is a front view thereof; FIG. 9 is a bottom view thereof; FIG. 10 is a left side view thereof, the right side view being a mirror image thereof; FIG. 11 is a top view thereof; and, FIG. 12 is a rear view thereof.

**1 Claim, 6 Drawing Sheets**



(56)

References Cited

U.S. PATENT DOCUMENTS

D431,373 S \* 10/2000 Zappitelli ..... D21/479  
 D437,490 S \* 2/2001 Vincent ..... D6/302  
 D444,970 S \* 7/2001 Briggs ..... D6/707  
 6,338,215 B1 \* 1/2002 Vincent ..... A47G 1/065  
 40/729  
 6,386,936 B1 \* 5/2002 Gebara ..... A63H 33/04  
 446/117  
 D473,349 S \* 4/2003 Willinger ..... D30/160  
 7,080,927 B2 \* 7/2006 Feuerborn ..... F21S 2/005  
 362/238  
 D574,936 S \* 8/2008 De Lima ..... D23/299  
 D575,478 S \* 8/2008 Hague ..... D1/199  
 D590,603 S \* 4/2009 Heuman ..... D6/302  
 D591,480 S \* 5/2009 Hague ..... D1/199  
 8,387,989 B2 \* 3/2013 Baum ..... A63F 9/0073  
 273/156  
 D683,799 S \* 6/2013 Kiecker ..... D21/484  
 D725,716 S \* 3/2015 Kaplan ..... D21/484  
 D734,820 S \* 7/2015 Lee ..... D21/484  
 D765,797 S \* 9/2016 Banik ..... D21/484

2002/0121739 A1\* 9/2002 Sum ..... A63F 9/12  
 273/156  
 2004/0051242 A1\* 3/2004 Munjic ..... A63F 9/12  
 273/160  
 2009/0317599 A1\* 12/2009 Heuman ..... A47G 1/065  
 428/189  
 2016/0121234 A1\* 5/2016 Shih ..... A63H 33/04  
 446/85

OTHER PUBLICATIONS

Co-Mo Cross & Little Box (via small puzzle collection blog), available 09/10/015, [online], [site visited Nov. 7, 2016]. Available from internet, <URL: <http://smallpuzzlecollection.blogspot.com/2015/09/co-mo-cross-little-box.html>.\*

Quadrant I (via small puzzle collection blog), available Sep. 7, 2015, [online], [site visited Nov. 7, 2016]. Available from internet, <URL: <http://smallpuzzlecollection.blogspot.com/2015/09/quadrant-i.html>.\*

Patio Block, available Jun. 15, 2013, [online], [site visited Nov. 7, 2016]. Available from internet, <URL: <http://www.cs.brandeis.edu/~storer/JimPuzzles/ZPAGES/zzzPatioBlock.html>.\*

\* cited by examiner

FIG. 1

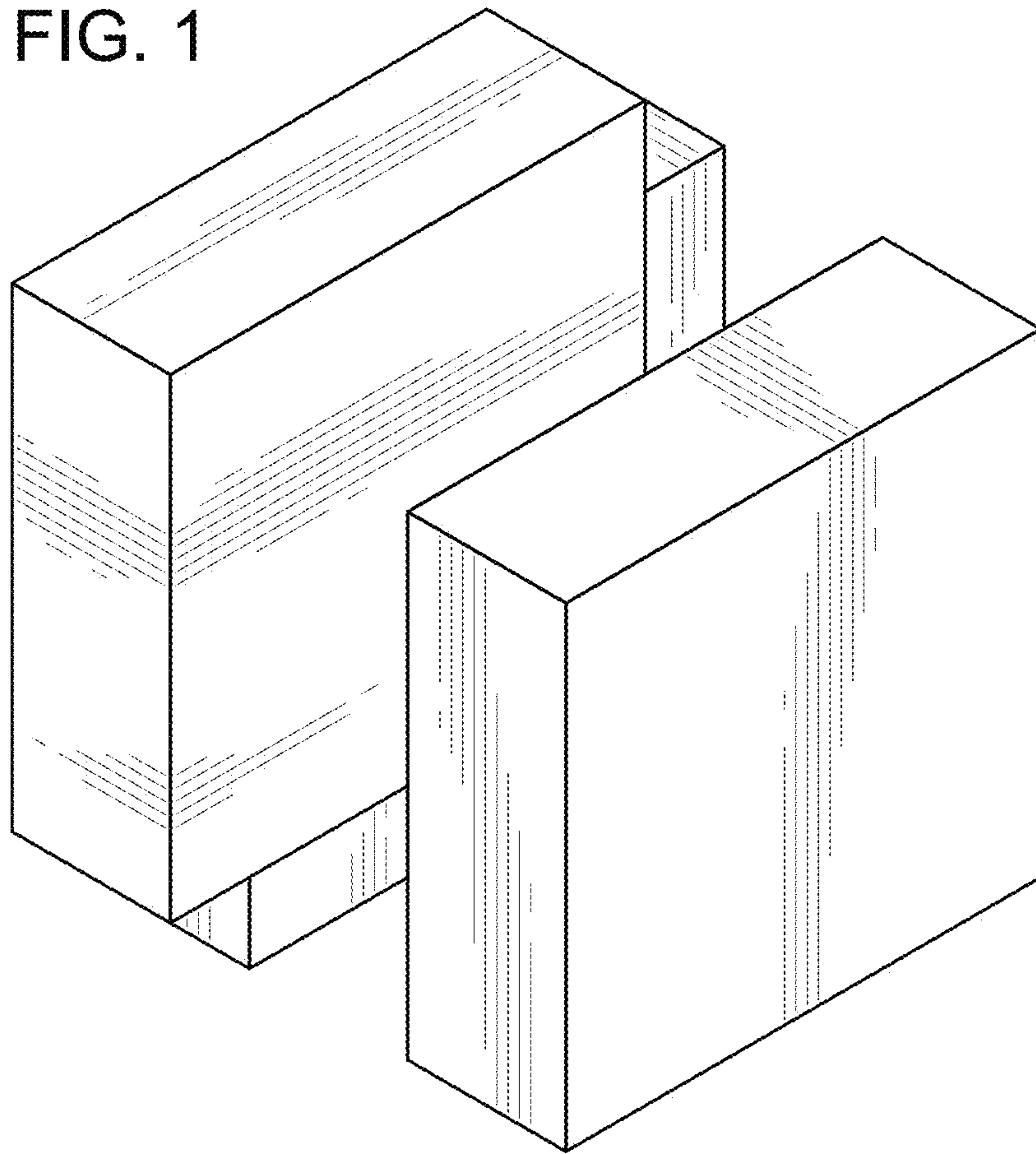
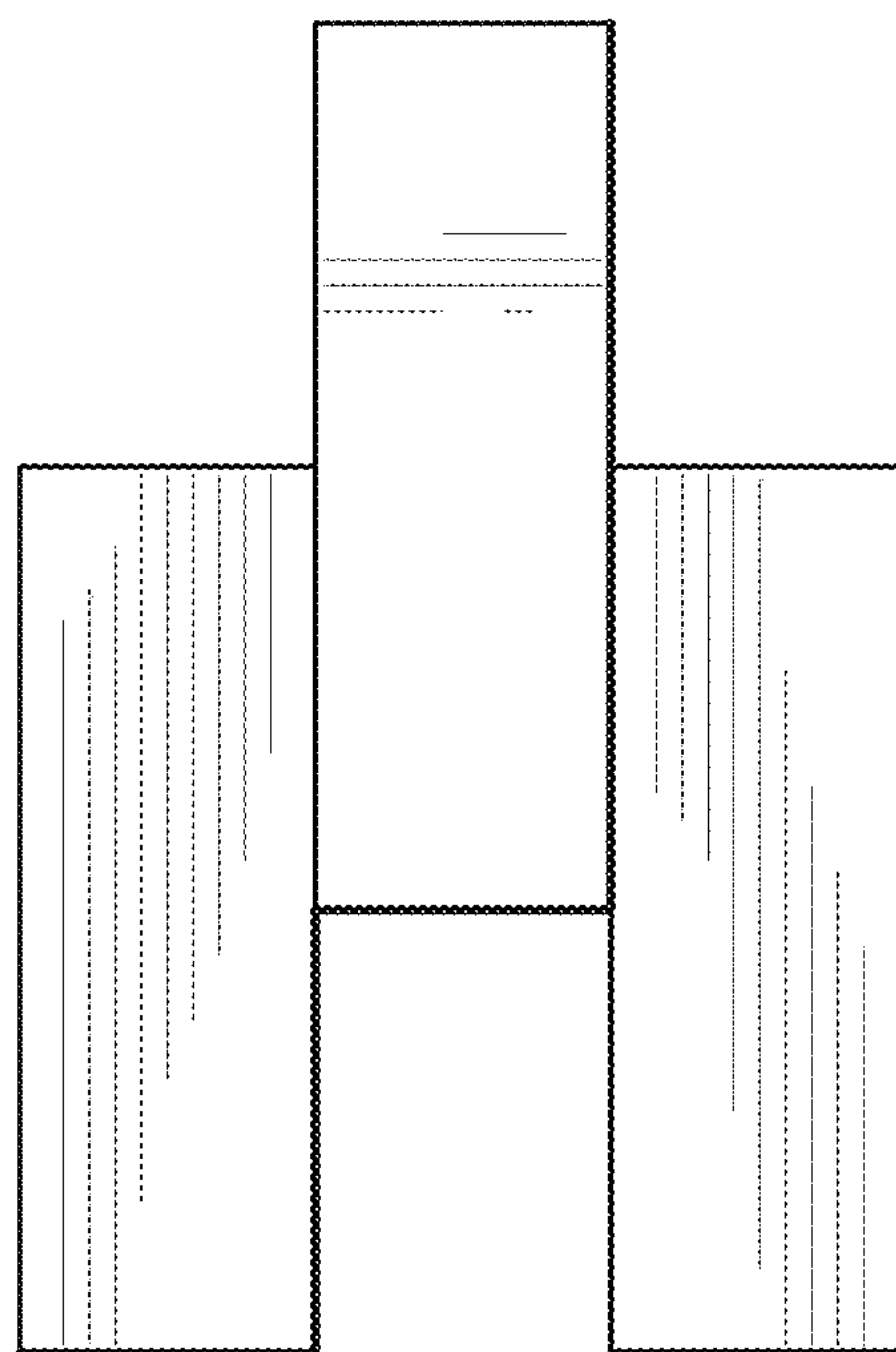


FIG. 2



202A

FIG. 3

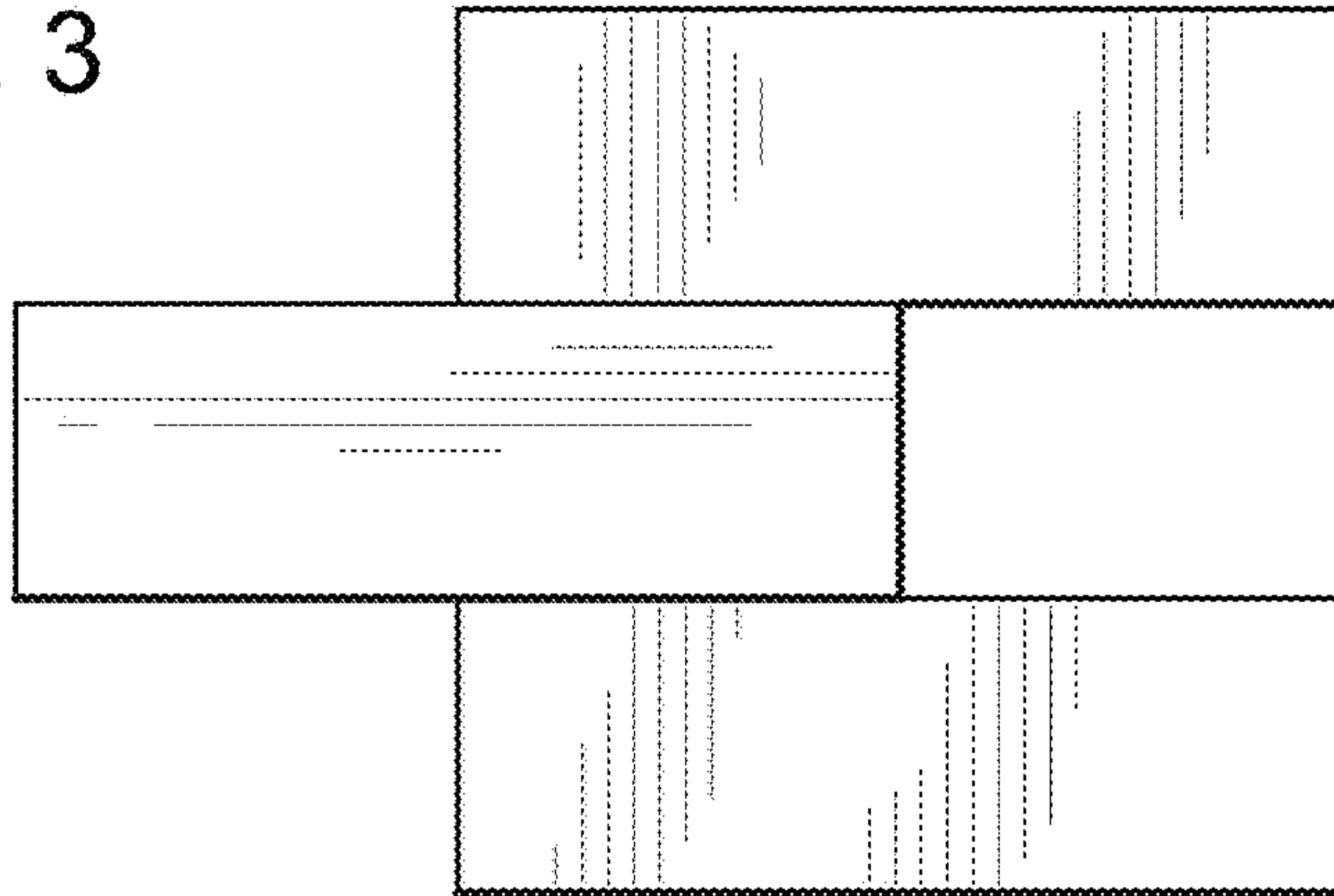


FIG. 4

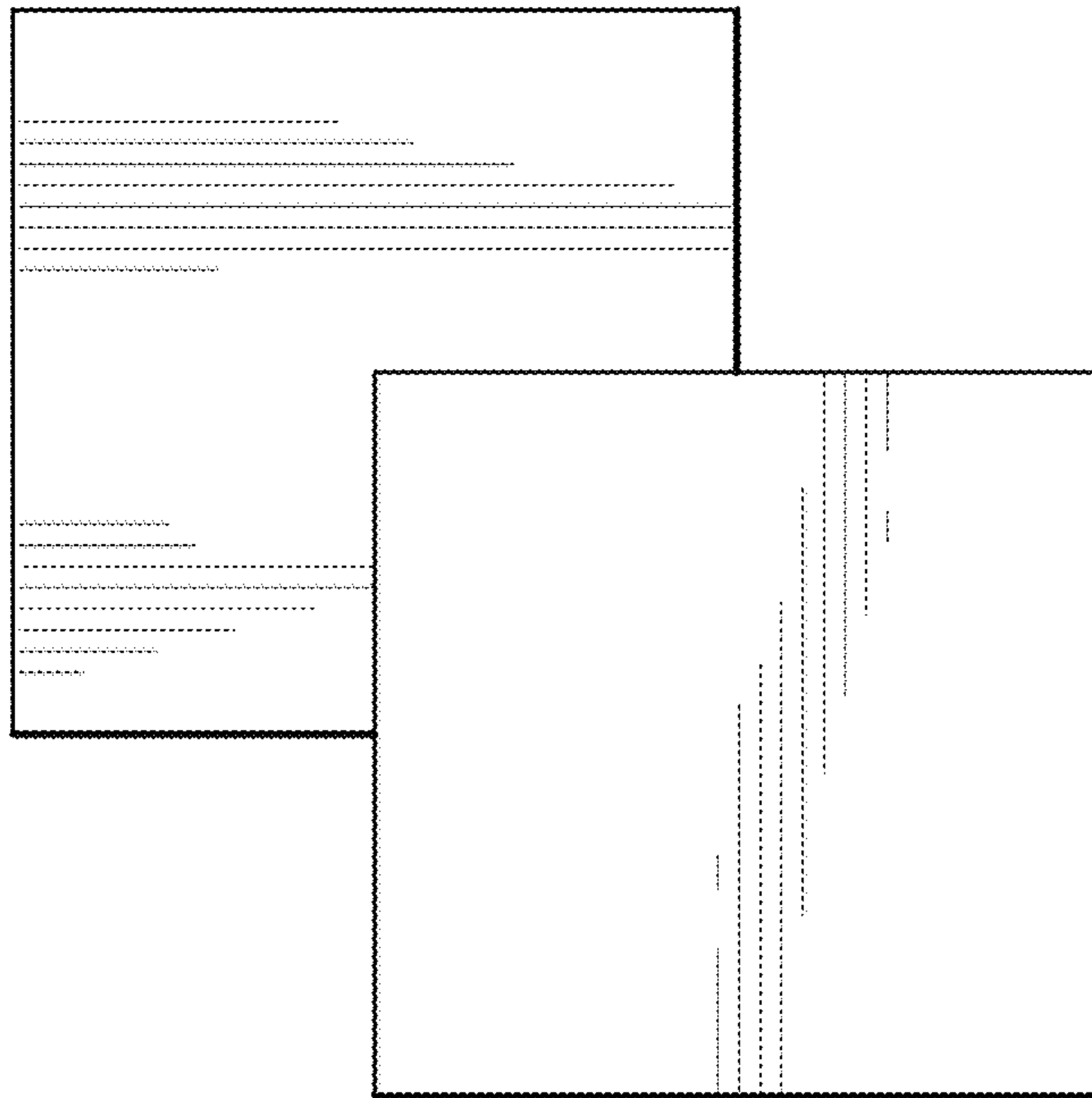
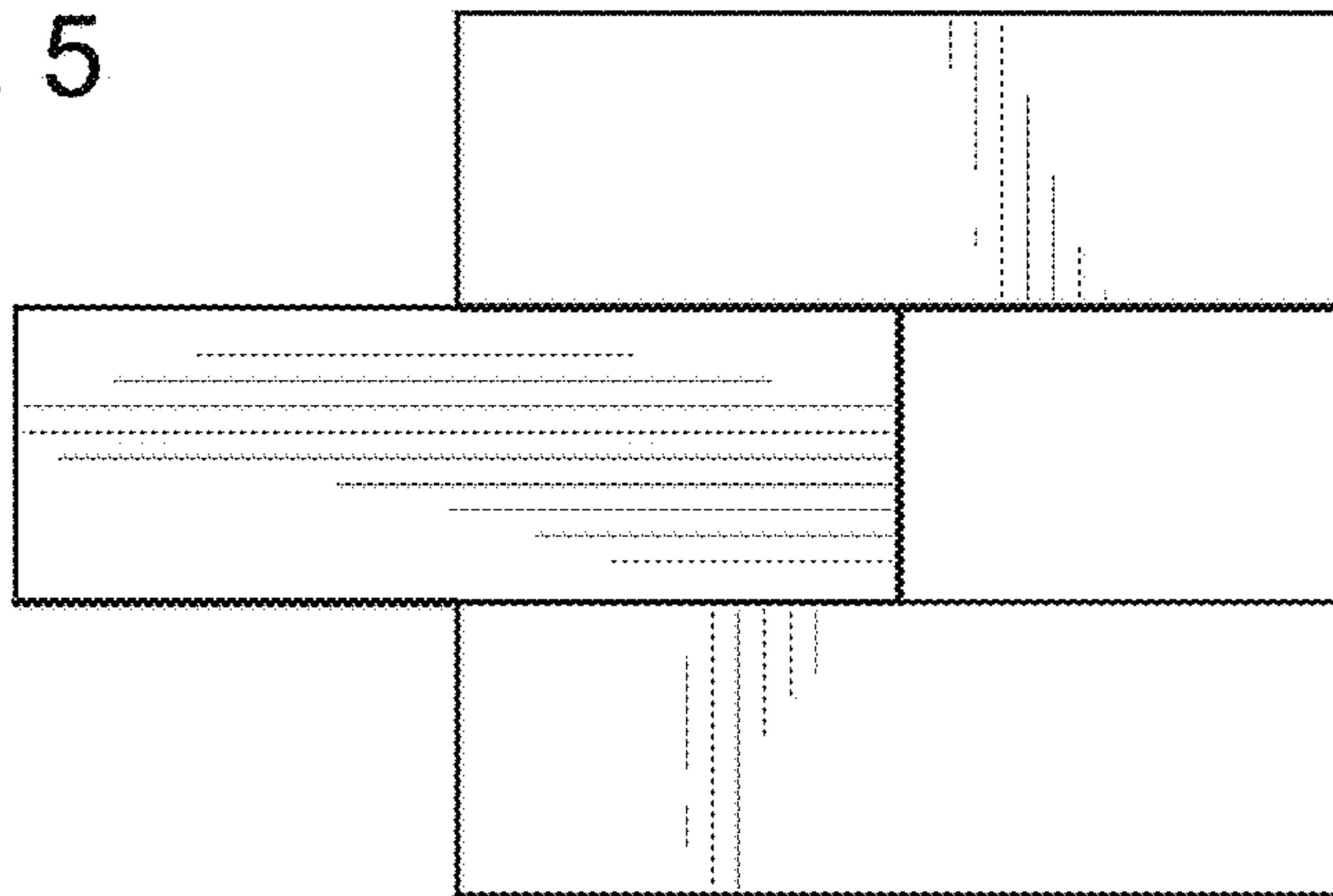


FIG. 5





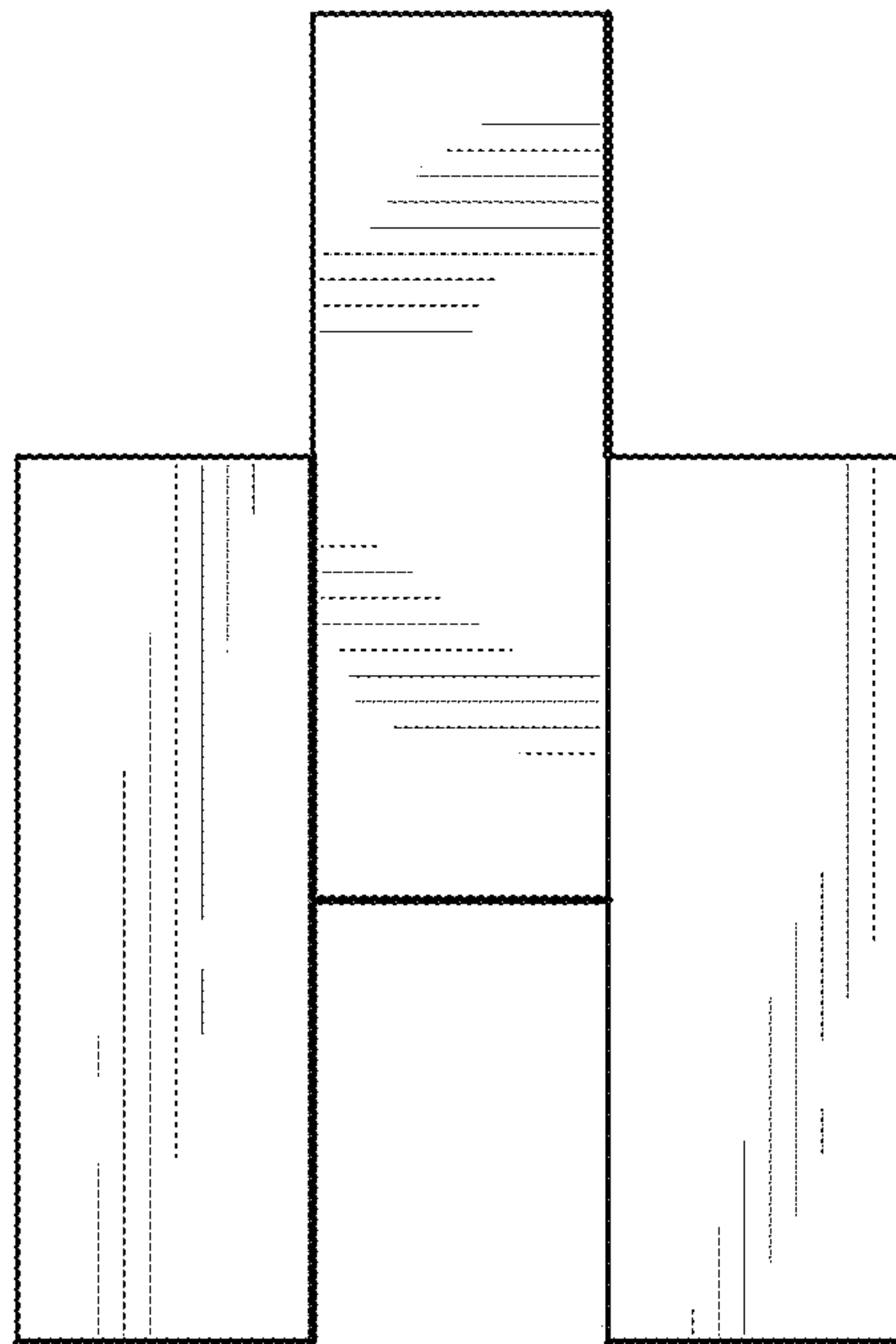


FIG. 6

FIG. 7

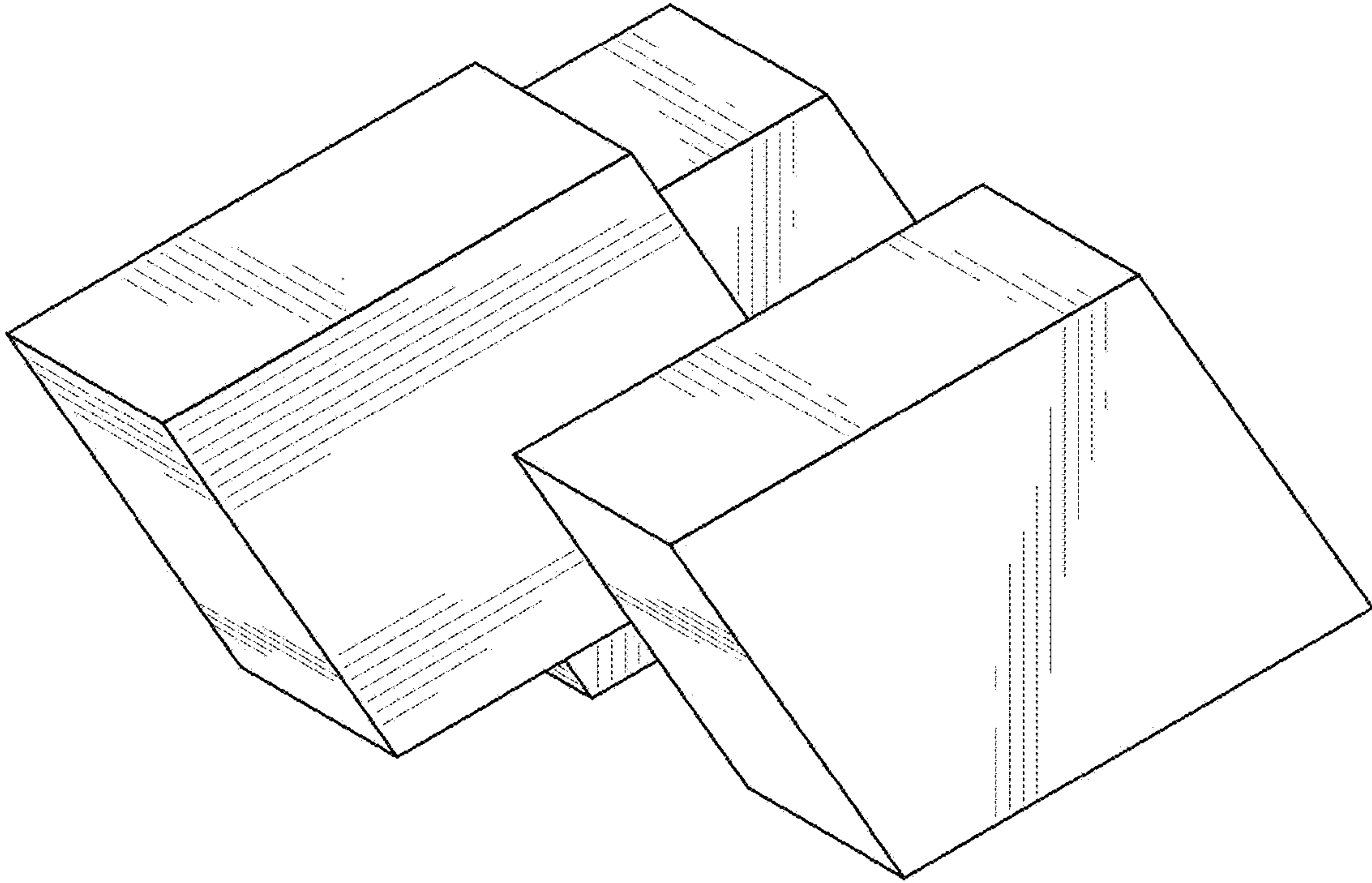


FIG. 8

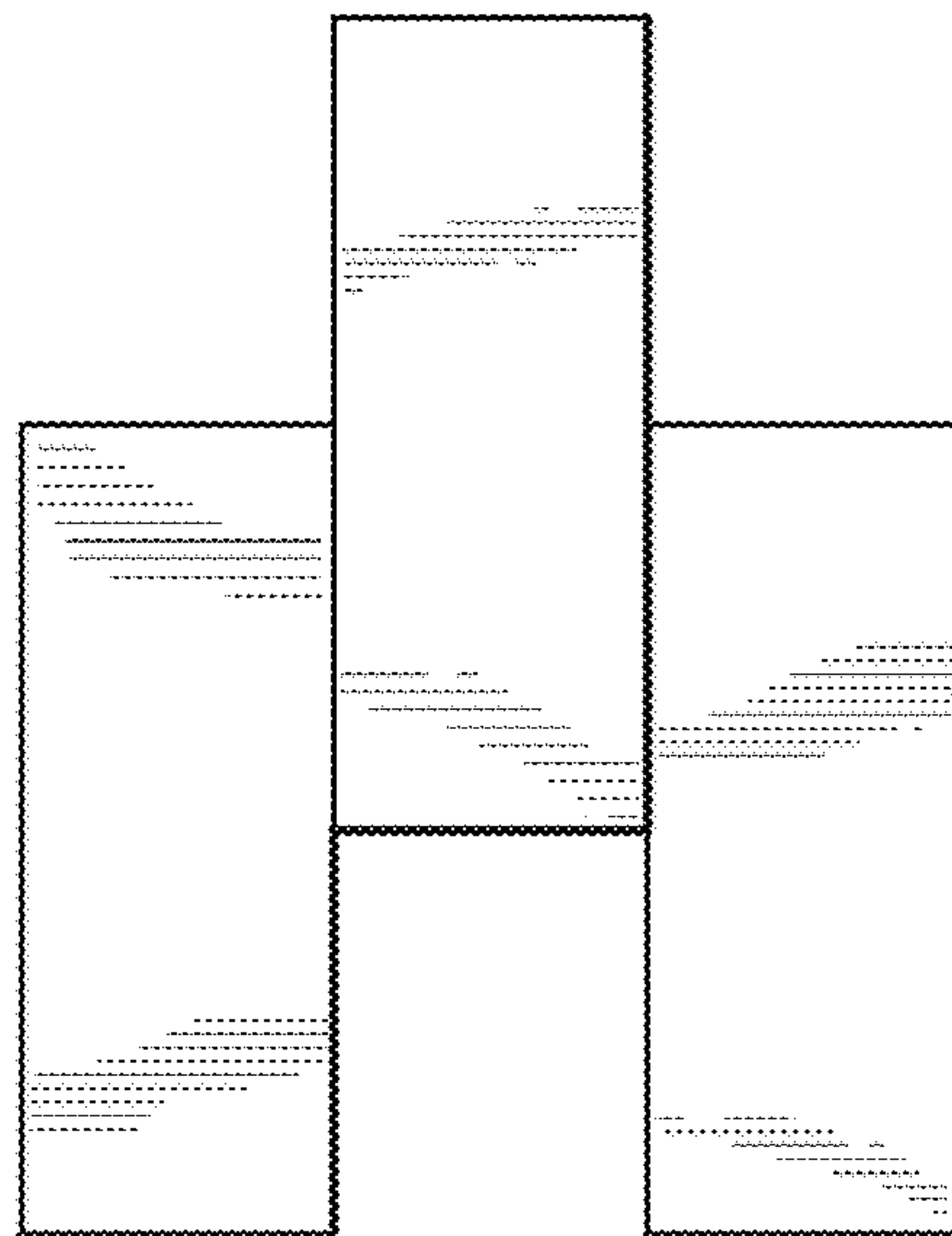


FIG. 9

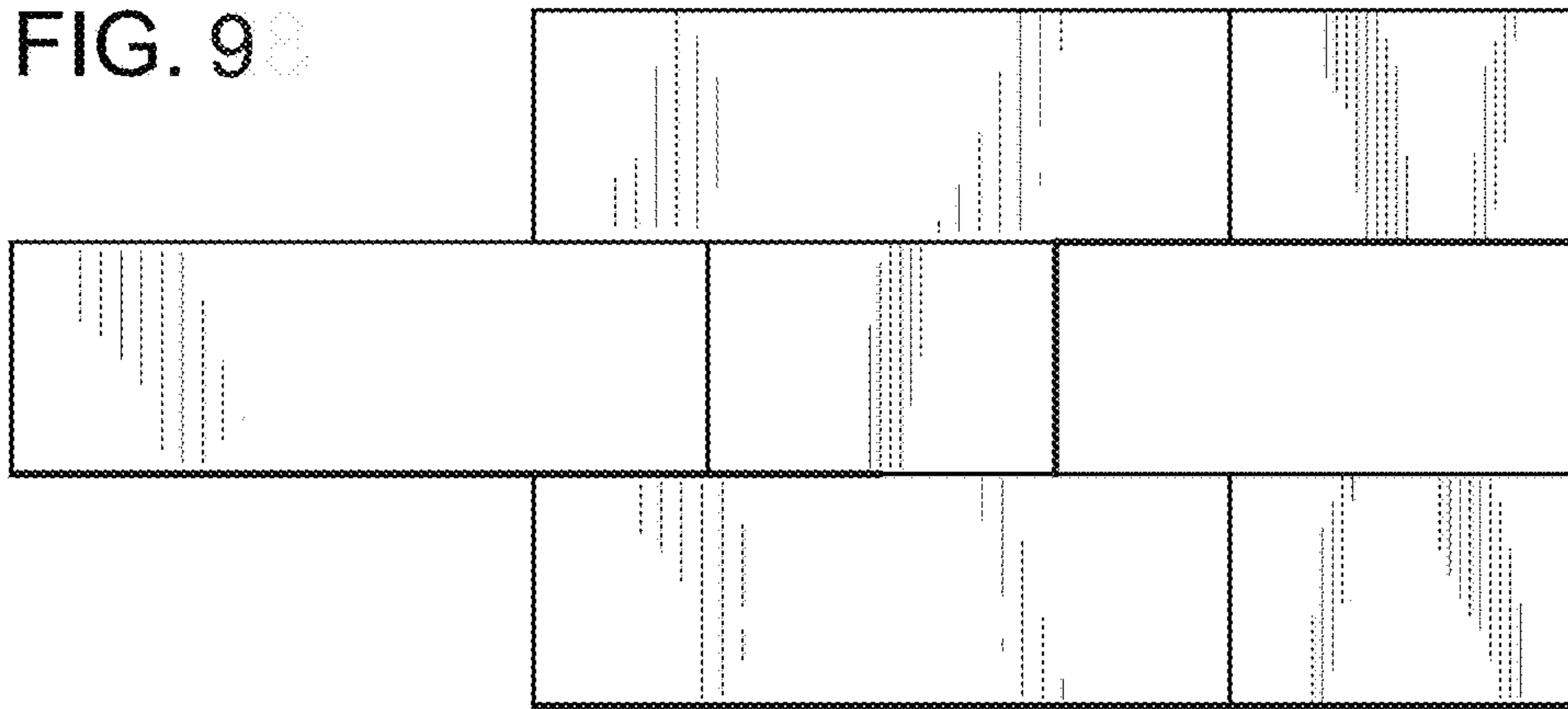


FIG. 10

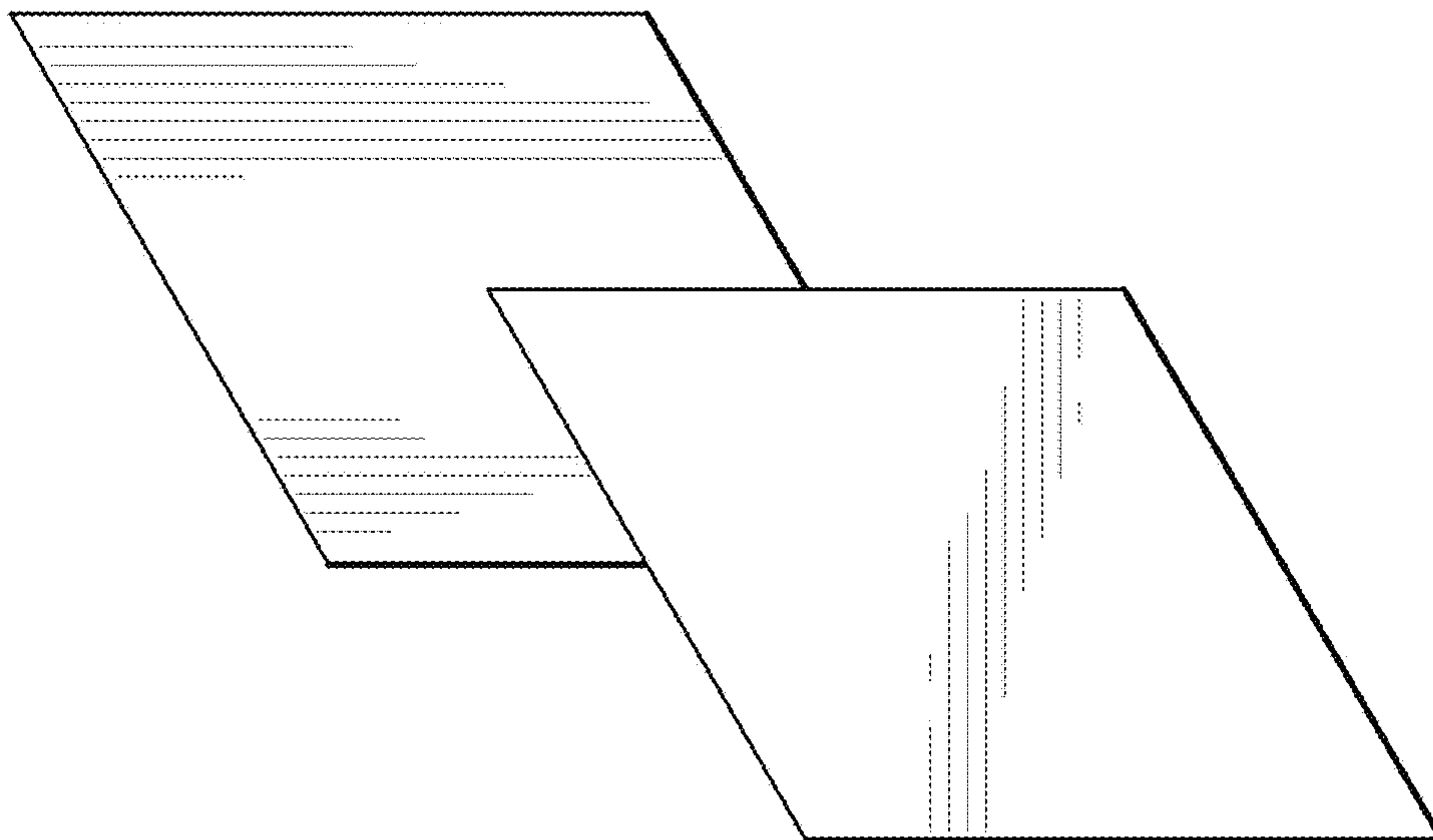
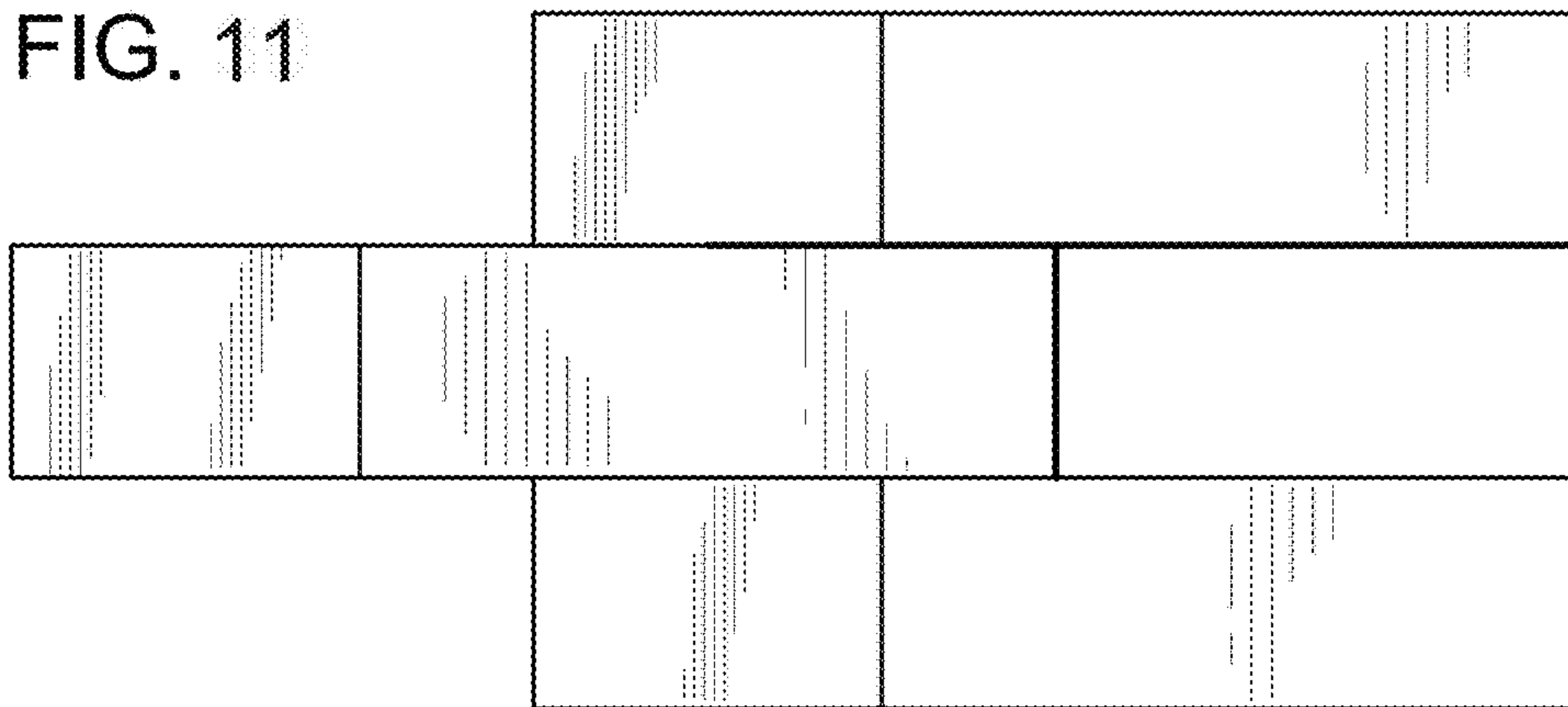


FIG. 11



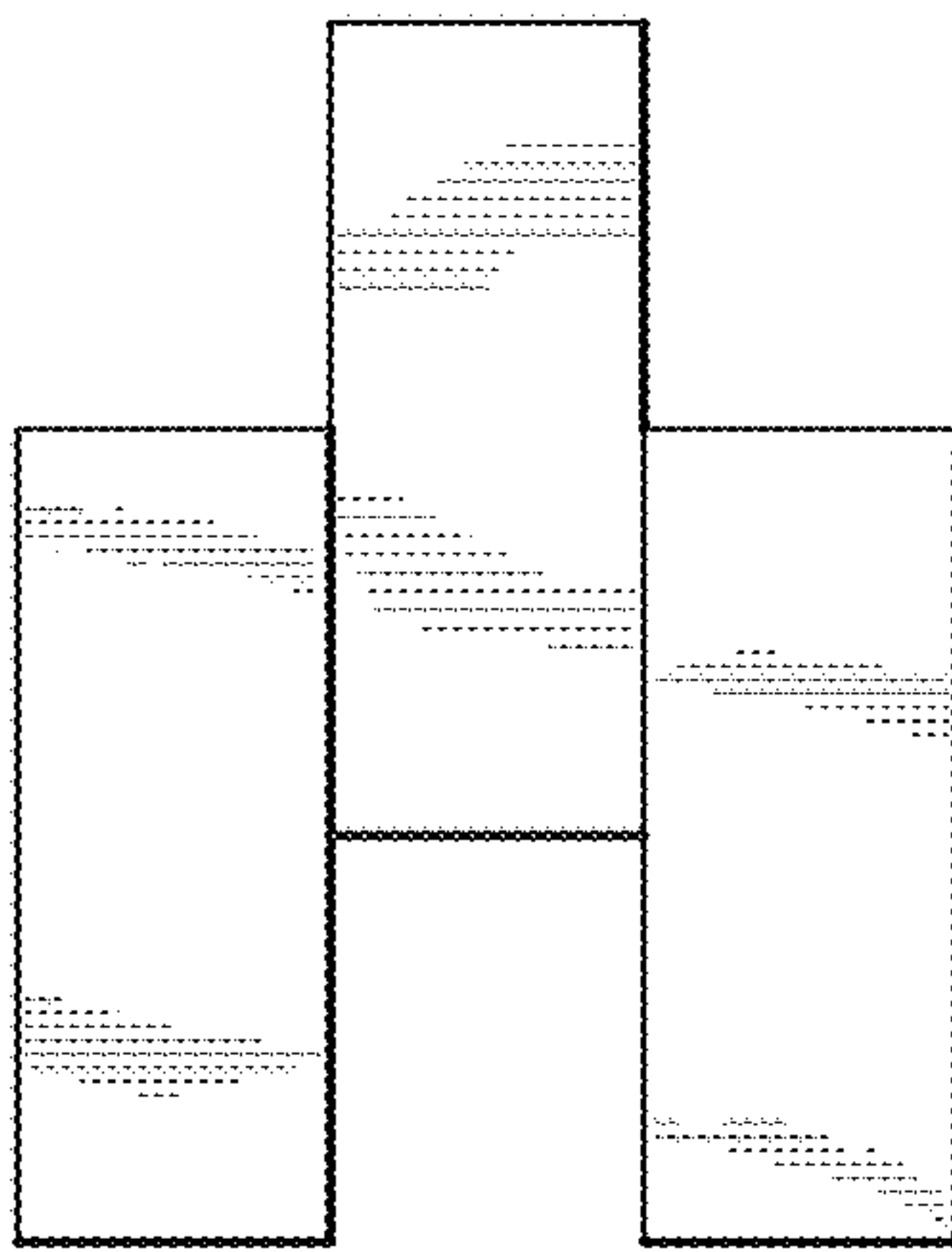


FIG. 12