



US00D784703S

(12) **United States Design Patent** (10) **Patent No.:** **US D784,703 S**  
**Grabes et al.** (45) **Date of Patent:** **\*\* Apr. 25, 2017**

(54) **BEAUTY CARE DEVICE**

13/08; A46B 2200/102; A46B 2200/1033;  
A47L

(71) Applicant: **Braun GmbH**, Kronberg (DE)

(Continued)

(72) Inventors: **Oliver Grabes**, Frankfurt (DE);  
**Christine Hielscher**, Frankfurt (DE);  
**Bjorn Kling**, Glashutten (DE); **Rory McGarry**, Frankfurt (DE); **Britta Stockinger**, Grossenseebach (DE);  
**Renke Joris Thye**, Westerstede (DE);  
**Sven Wuttig**, Griesheim (DE)

(56) **References Cited**

U.S. PATENT DOCUMENTS

D245,883 S \* 9/1977 Tsuji ..... D4/102  
D377,394 S \* 1/1997 Tillman ..... D24/215  
(Continued)

FOREIGN PATENT DOCUMENTS

DE 40105126-0001 11/2001  
EM 00374681-0001 9/2005  
(Continued)

(73) Assignee: **Braun GmbH**, Kronberg (DE)

(\*\*) Term: **14 Years**

OTHER PUBLICATIONS

(21) Appl. No.: **29/477,034**

WIPO DM/063496 Registered Design, (Koninklijke Philips Electronics N.V.) Jun. 11, 2003, [online], [retrieved on Jun. 2, 2015] Retrieved from the Hague Express Design Database of the World Intellectual Property Organization using the Internet: <URL: <http://www.wipo.int>>.\*

(22) Filed: **Dec. 19, 2013**

(30) **Foreign Application Priority Data**

Jun. 28, 2013 (WO) ..... 747138801

(51) **LOC (10) Cl.** ..... **04-02**

(52) **U.S. Cl.**  
USPC ..... **D4/102**

(58) **Field of Classification Search**  
USPC ..... D4/100, 102, 127; 15/28, 29, 34, 36,  
15/176.1, 176.2, 176.4; D24/146, 214,  
D24/215; D28/63; 601/112, 114, 136,  
601/137

CPC .. A46B 3/00; A46B 3/005; A46B 3/02; A46B  
3/04; A46B 3/22; A46B 5/0095; A46B  
7/00; A46B 7/04; A46B 7/042; A46B  
7/046; A46B 7/06; A46B 7/08; A46B  
9/00; A46B 9/005; A46B 9/02; A46B  
9/026; A46B 9/028; A46B 13/00; A46B  
13/008; A46B 13/02; A46B 13/026; A46B

(Continued)

*Primary Examiner* — Cathron Brooks  
*Assistant Examiner* — Aula Soroush  
(74) *Attorney, Agent, or Firm* — Ronald T. Sia; Kevin C. Johnson; Steven W. Miller

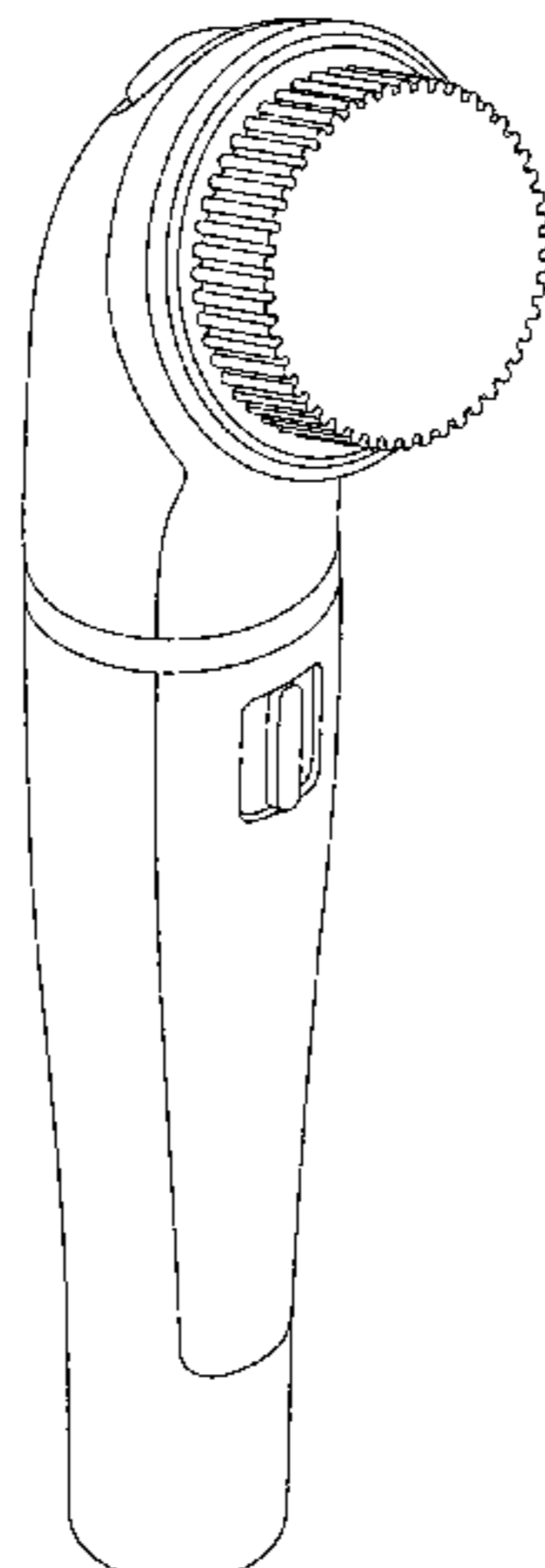
(57) **CLAIM**

The ornamental design for a beauty care device, as shown and described.

**DESCRIPTION**

FIG. 1 is a perspective view of a beauty care device;  
FIG. 2 is a front view thereof;  
FIG. 3 is a left side view thereof;  
FIG. 4 is a rear view thereof;  
FIG. 5 is a right side view thereof;  
FIG. 6 is a top plan view thereof; and,  
FIG. 7 is a bottom view thereof.

(Continued)



The broken lines in FIG. 7 illustrate portions of the beauty care device that form no part of the claimed design.

**1 Claim, 3 Drawing Sheets**

**(58) Field of Classification Search**

CPC ..... 23/06; A61H 7/00; A61H 7/002; A61H 7/003; A61H 7/004; A61H 7/005; A61H 2205/022

See application file for complete search history.

**(56)**

**References Cited**

U.S. PATENT DOCUMENTS

D510,138	S *	9/2005	Kim	.....	D24/133
D710,054	S *	7/2014	Grabes	.....	D28/44.1
9,272,141	B2 *	3/2016	Nichols	.....	A61H 7/005
9,421,146	B2 *	8/2016	Muraki	.....	A61H 7/005
D767,897	S *	10/2016	Hosler	.....	D4/102
2010/0217263	A1 *	8/2010	Tukulj-Popovic	.	A45D 26/0004 606/43
2013/0046212	A1 *	2/2013	Nichols	.....	A46B 7/04 601/18
2015/0333609	A1 *	11/2015	Lattanzi	.....	A46B 13/026 310/38
2015/0359324	A1 *	12/2015	Brewer	.....	A46B 15/001 15/22.1

2016/0037902	A1 *	2/2016	Grez	.....	A46B 13/008 15/22.1
2016/0183670	A1 *	6/2016	Brewer	.....	A46B 9/021 15/22.1
2016/0184175	A1 *	6/2016	Caberlotto	.....	A61H 15/0085 601/114
2016/0184176	A1 *	6/2016	Caberlotto	.....	A61H 15/0085 601/114
2016/0184177	A1 *	6/2016	Caberlotto	.....	A61H 15/0085 601/114
2016/0192814	A1 *	7/2016	Kang	.....	A47K 7/04 15/21.1
2016/0270821	A1 *	9/2016	Hendler	.....	A46B 13/02
2016/0278584	A1 *	9/2016	Hwang	.....	A61H 7/005

FOREIGN PATENT DOCUMENTS

EM	00712377-0001	6/2007
EM	00808225-0003	12/2007
EM	01321632-0002	5/2012
EM	01321632-0003	5/2012
IR	00026265-0001	7/1993
IR	00026265-0003	7/1993
IR	00026265-0004	7/1993
KR	30-0711147-2 S *	10/2013

OTHER PUBLICATIONS

U.S. Appl. No. 29/477,033, filed Dec. 19, 2013, Oliver Grabes et al.

\* cited by examiner

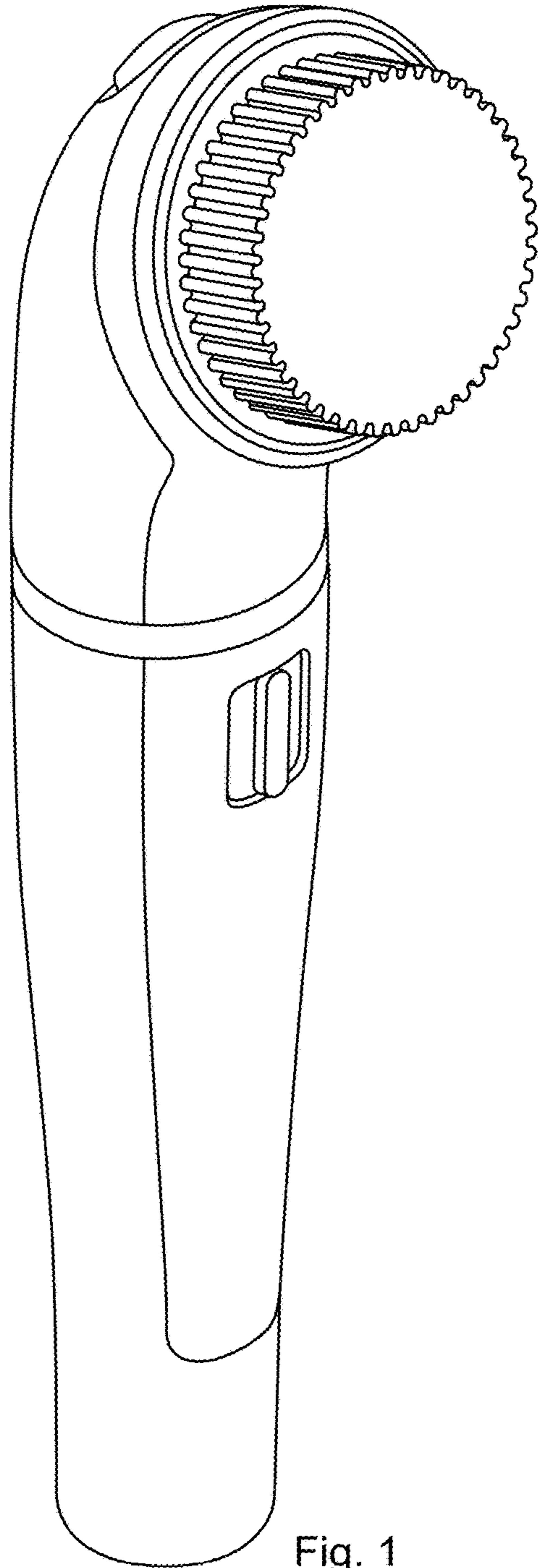


Fig. 1

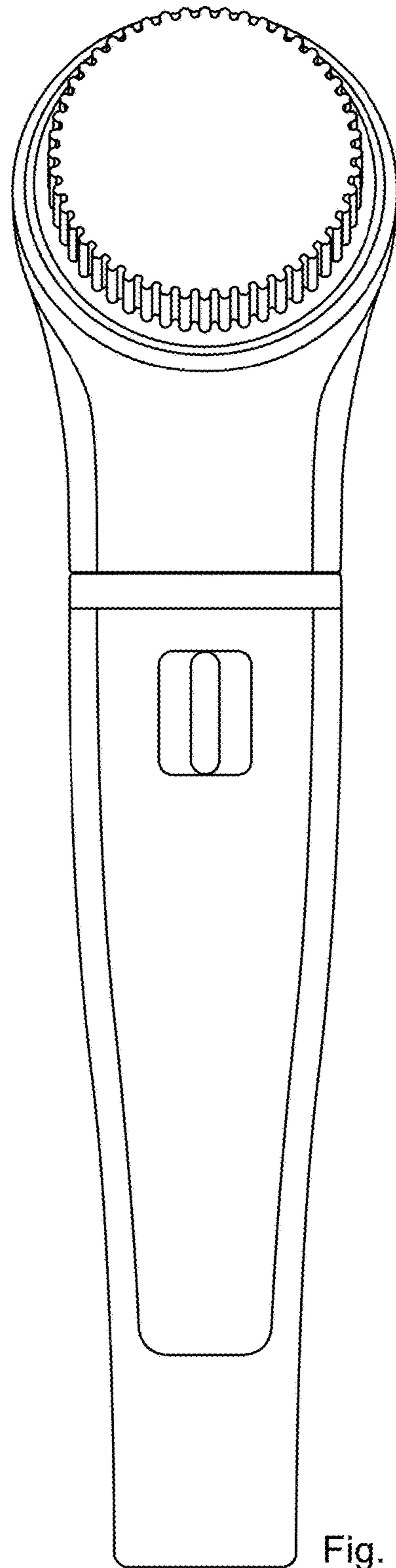


Fig. 2

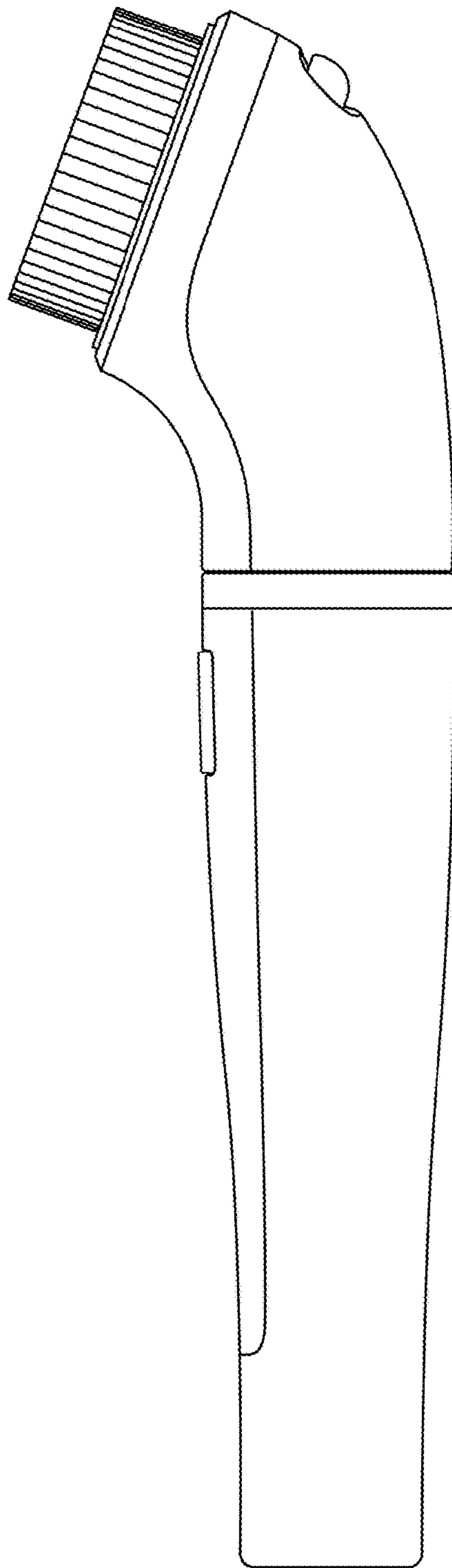


Fig. 3

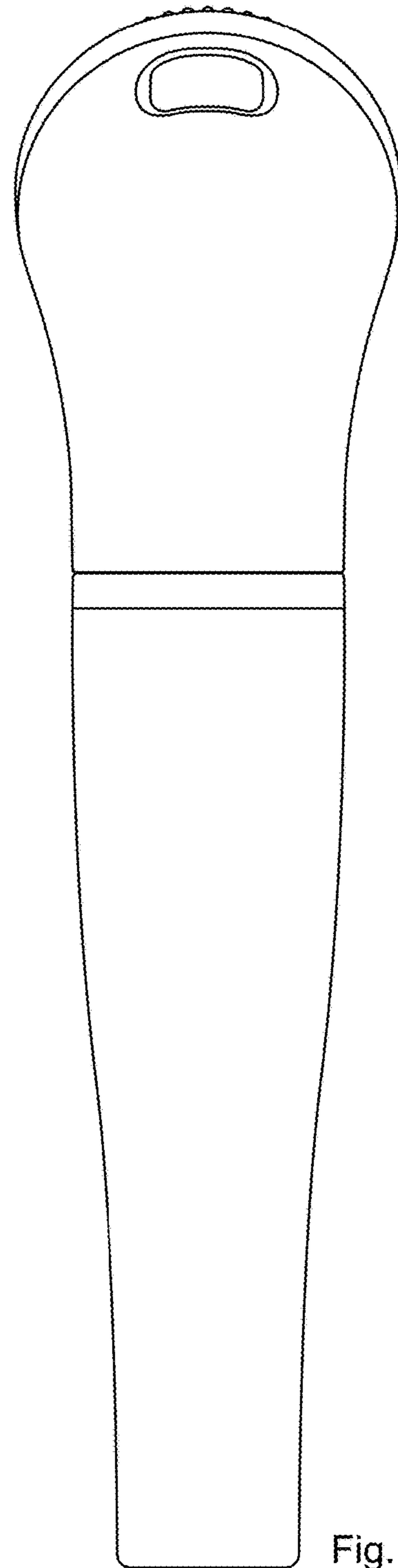


Fig. 4



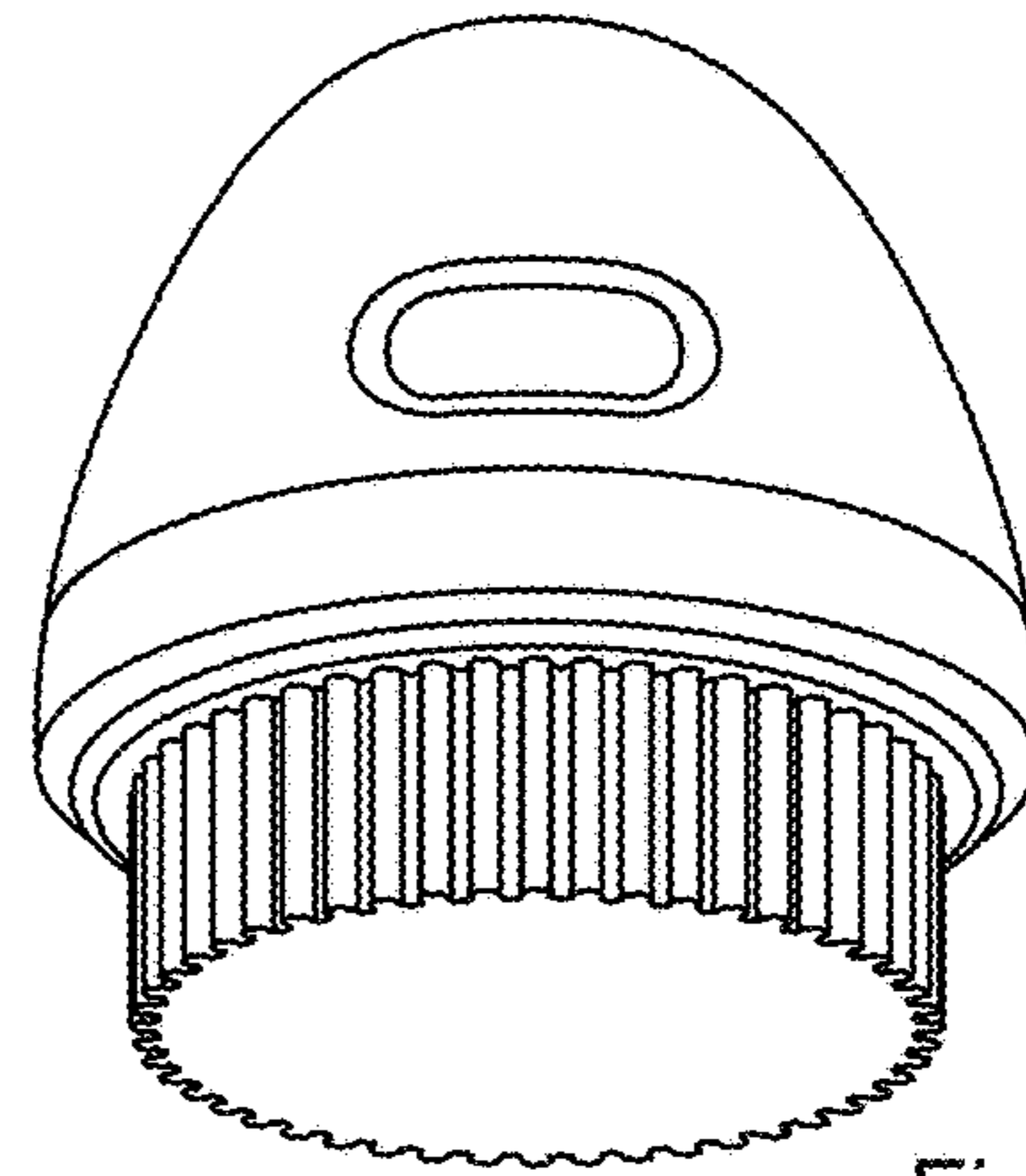
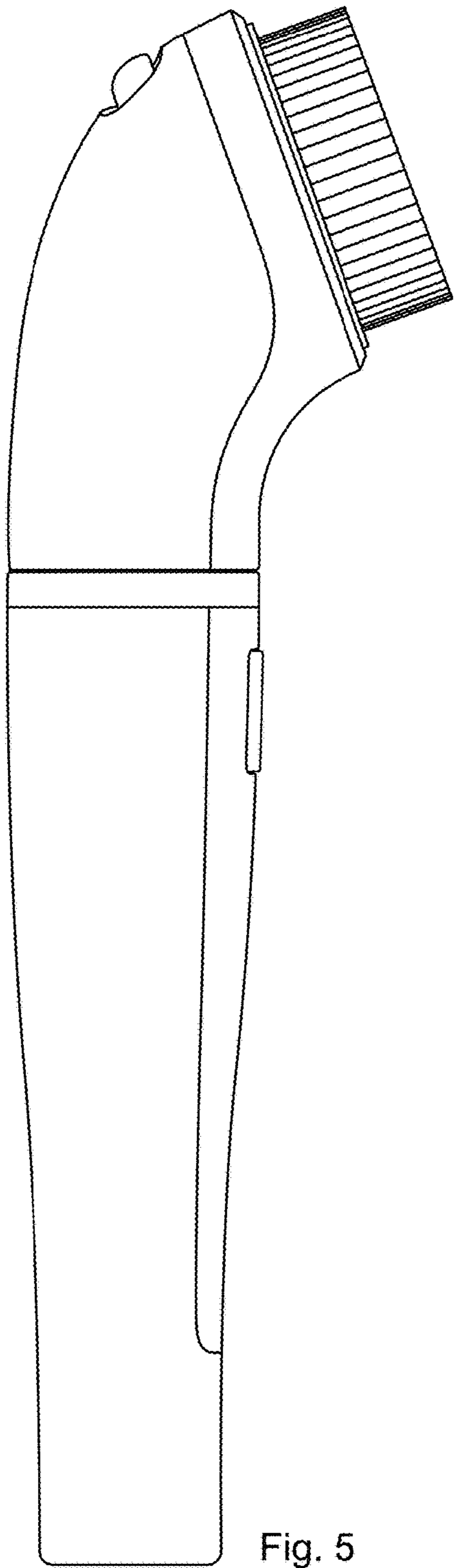


Fig. 6

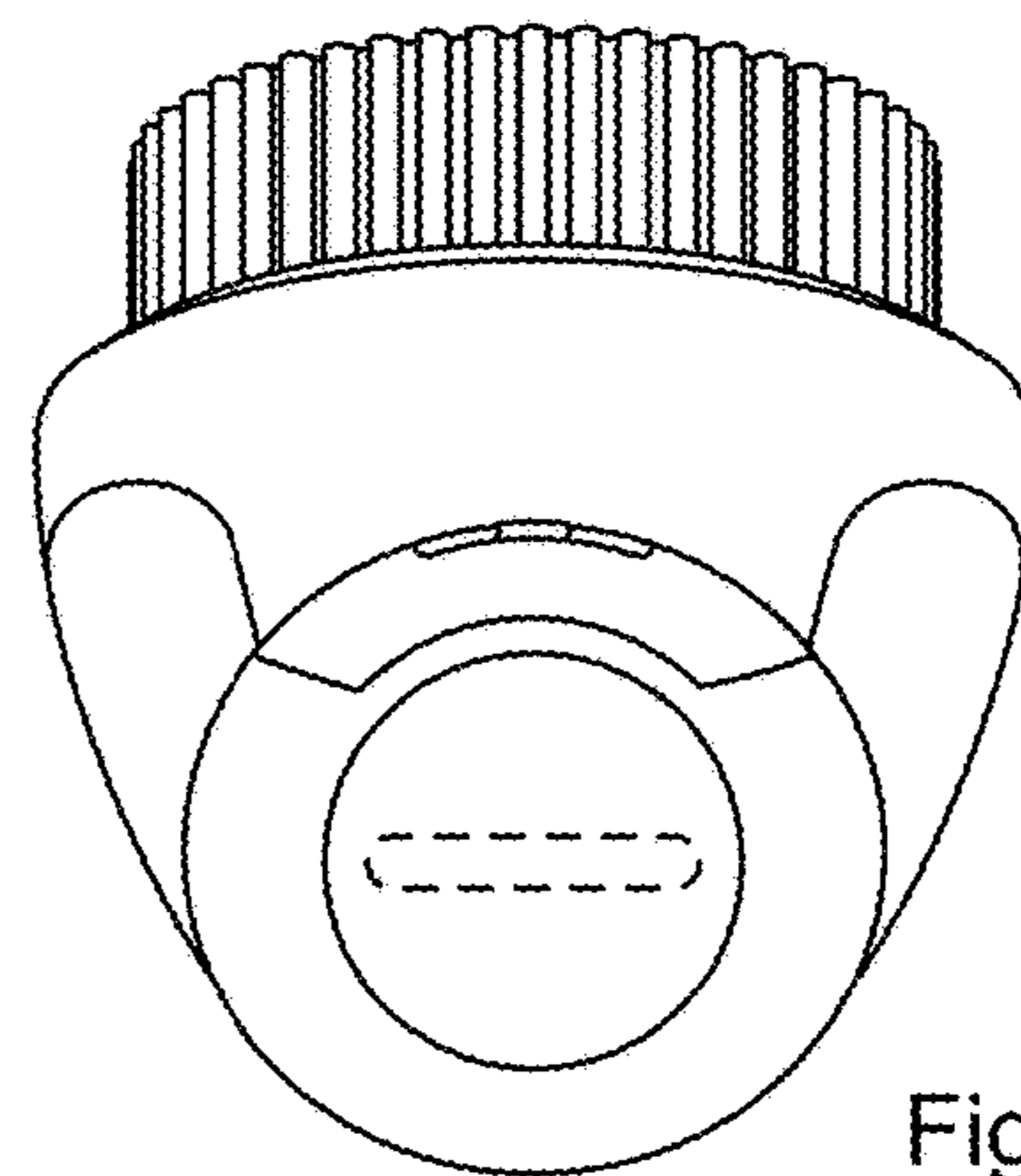


Fig. 7