



US00D784701S

(12) **United States Design Patent**
Goodman et al.

(10) **Patent No.:** **US D784,701 S**
(45) **Date of Patent:** **** Apr. 25, 2017**

(54) **STYLING STATION**

(71) Applicant: **Spectrum Diversified Designs, LLC**,
Streetsboro, OH (US)

(72) Inventors: **Aaron D. Goodman**, Beachwood, OH
(US); **Phaysouk Xayoiphonh**, Akron,
OH (US); **Courtney K. Wilson**,
Chardon, OH (US)

(73) Assignee: **Spectrum Diversified Designs, LLC**,
Streetsboro, OH (US)

(**) Term: **15 Years**

(21) Appl. No.: **29/554,744**

(22) Filed: **Feb. 15, 2016**

(51) **LOC (10) Cl.** **03-01**

(52) **U.S. Cl.**

USPC **D3/306**

(58) **Field of Classification Search**

USPC D3/304-307, 314-315; D6/511,
D6/566-567, 572-574, 540, 672-673,
D6/678, 678.4

CPC B65D 1/00; B65D 21/0211; B65D 1/34;
B65D 1/38

See application file for complete search history.

(56) **References Cited**

U.S. PATENT DOCUMENTS

D364,297 S * 11/1995 Daniel D3/306
D438,042 S * 2/2001 Hofman D3/306

D588,814 S * 3/2009 Ghiorghie D3/304
D616,680 S * 6/2010 Snider D6/513
D628,385 S * 12/2010 Klein D6/513
D650,209 S * 12/2011 Snider D6/513
D728,255 S * 5/2015 Guindi D6/513
D751,763 S * 3/2016 Goodman D26/38
D751,766 S * 3/2016 Goodman D28/38
D764,707 S * 8/2016 Goodman D28/38
D770,801 S * 11/2016 Goodman D6/549

* cited by examiner

Primary Examiner — Kelley Donnelly

(74) *Attorney, Agent, or Firm* — Benesch, Friedlander,
Coplan & Aronoff LLP

(57) **CLAIM**

What is claimed is the ornamental design for a styling
station, as shown and described.

DESCRIPTION

FIG. 1 is a perspective view of a styling station a new
design;

FIG. 2 is a front view of the styling station of FIG. 1;

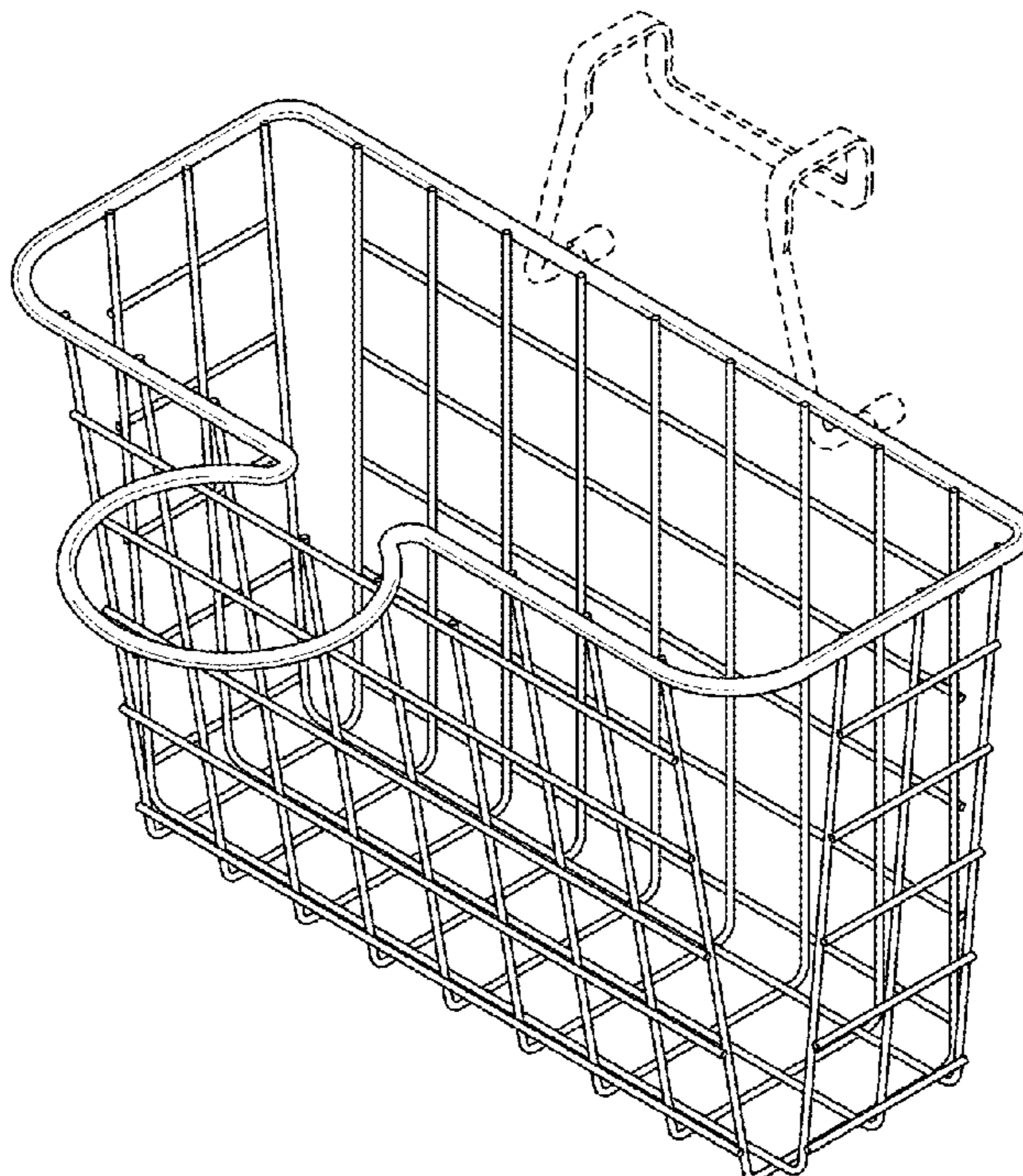
FIG. 3 is a rear view of the styling station of FIG. 1;

FIG. 4 is a side view of the styling station of FIG. 1;

FIG. 5 is a top view of the styling station of FIG. 1; and,

FIG. 6 is a bottom view of the styling station of FIG. 1.
The broken line showing is included for the purpose of
illustrating environment and forms no part of the claimed
design.

1 Claim, 4 Drawing Sheets



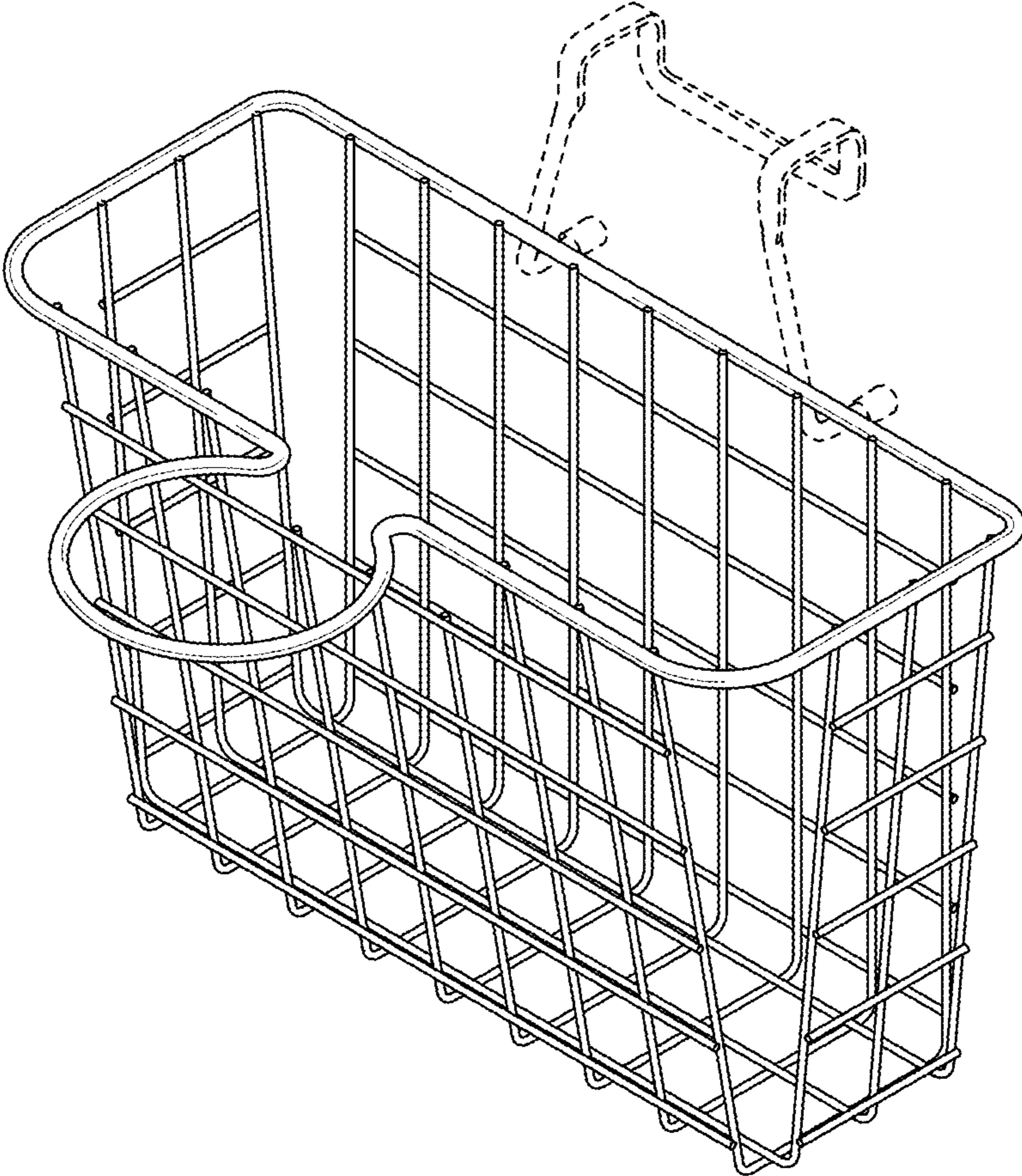


FIG. 1

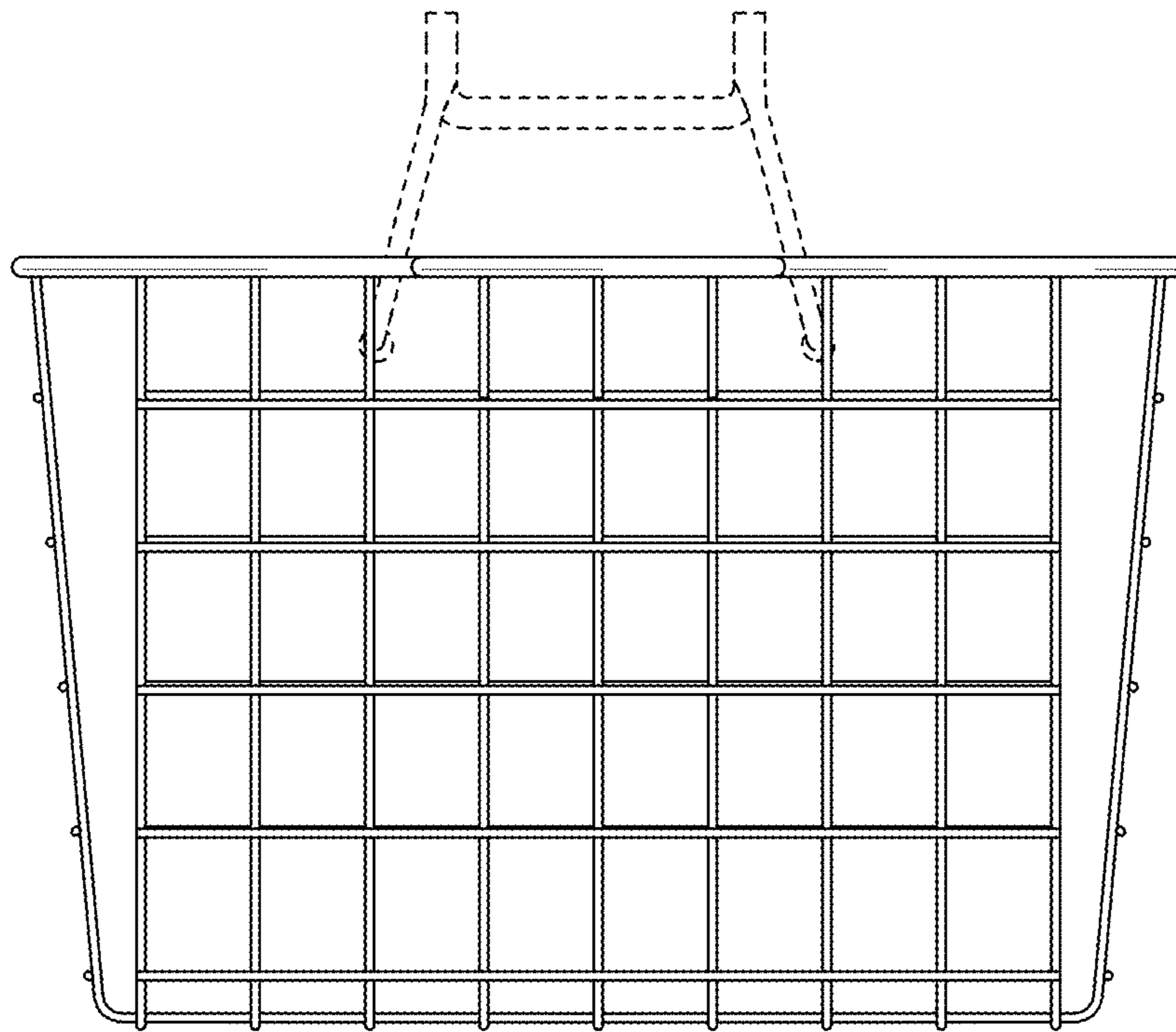


FIG. 2

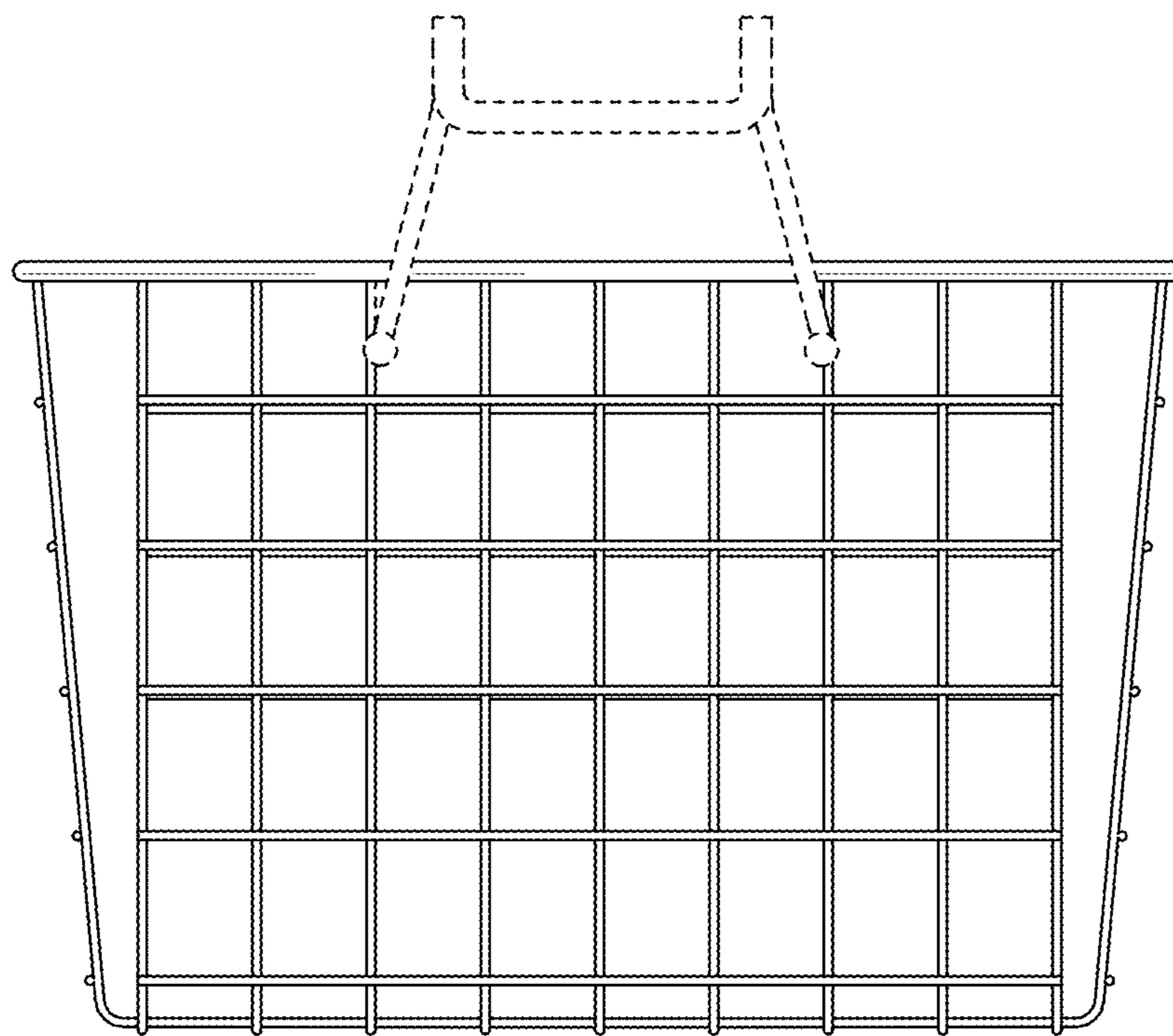


FIG. 3

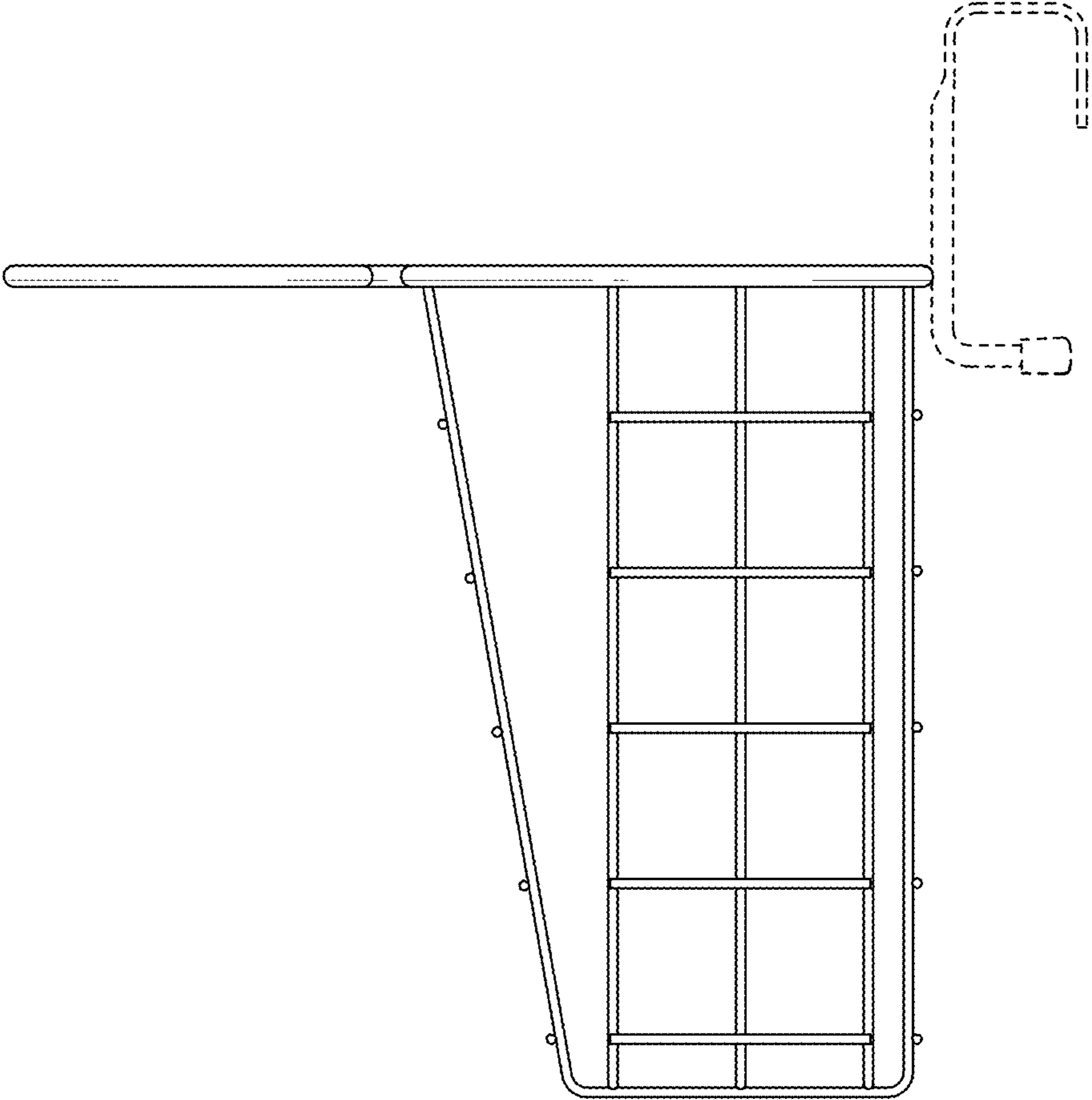


FIG. 4

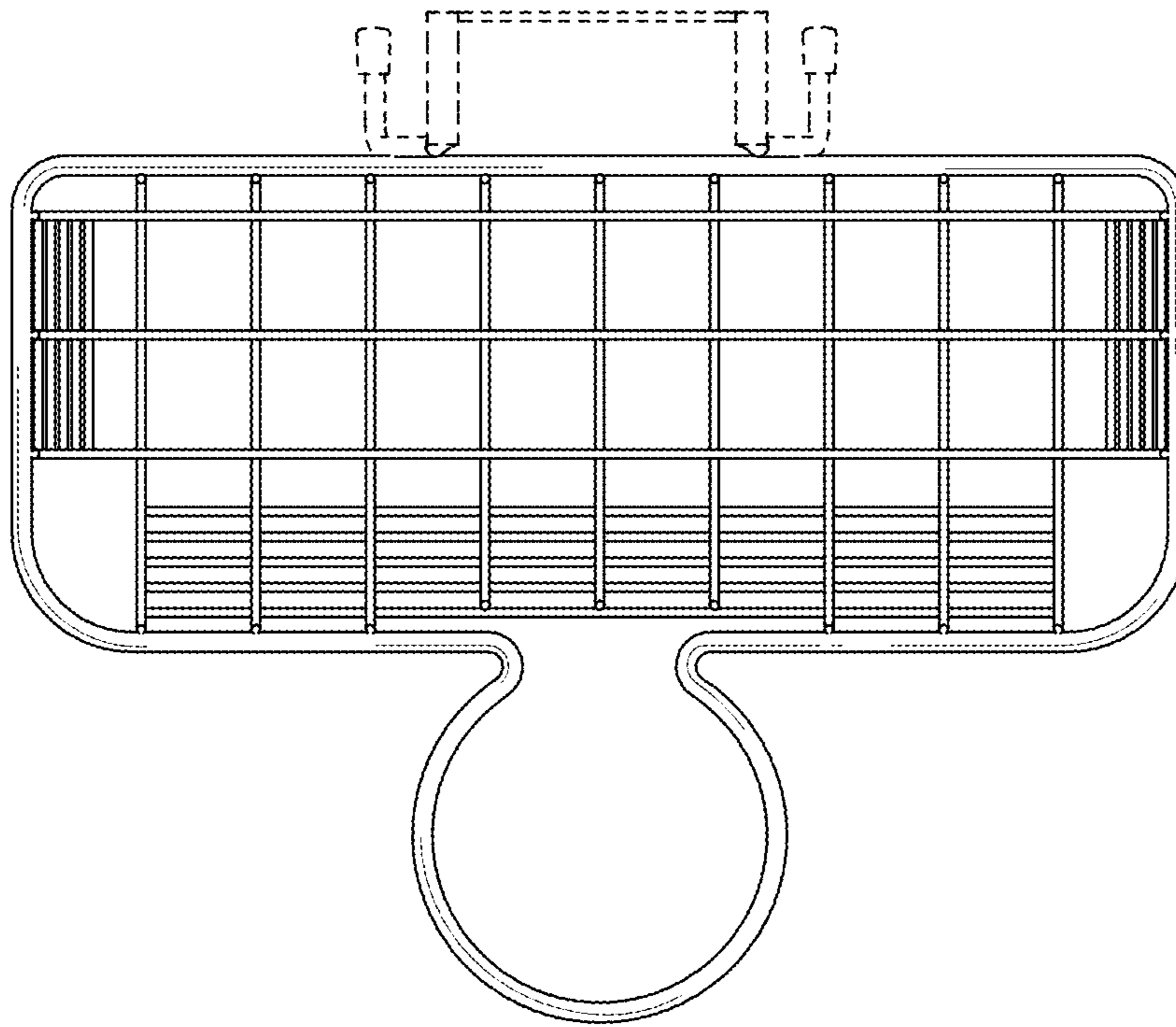


FIG. 5

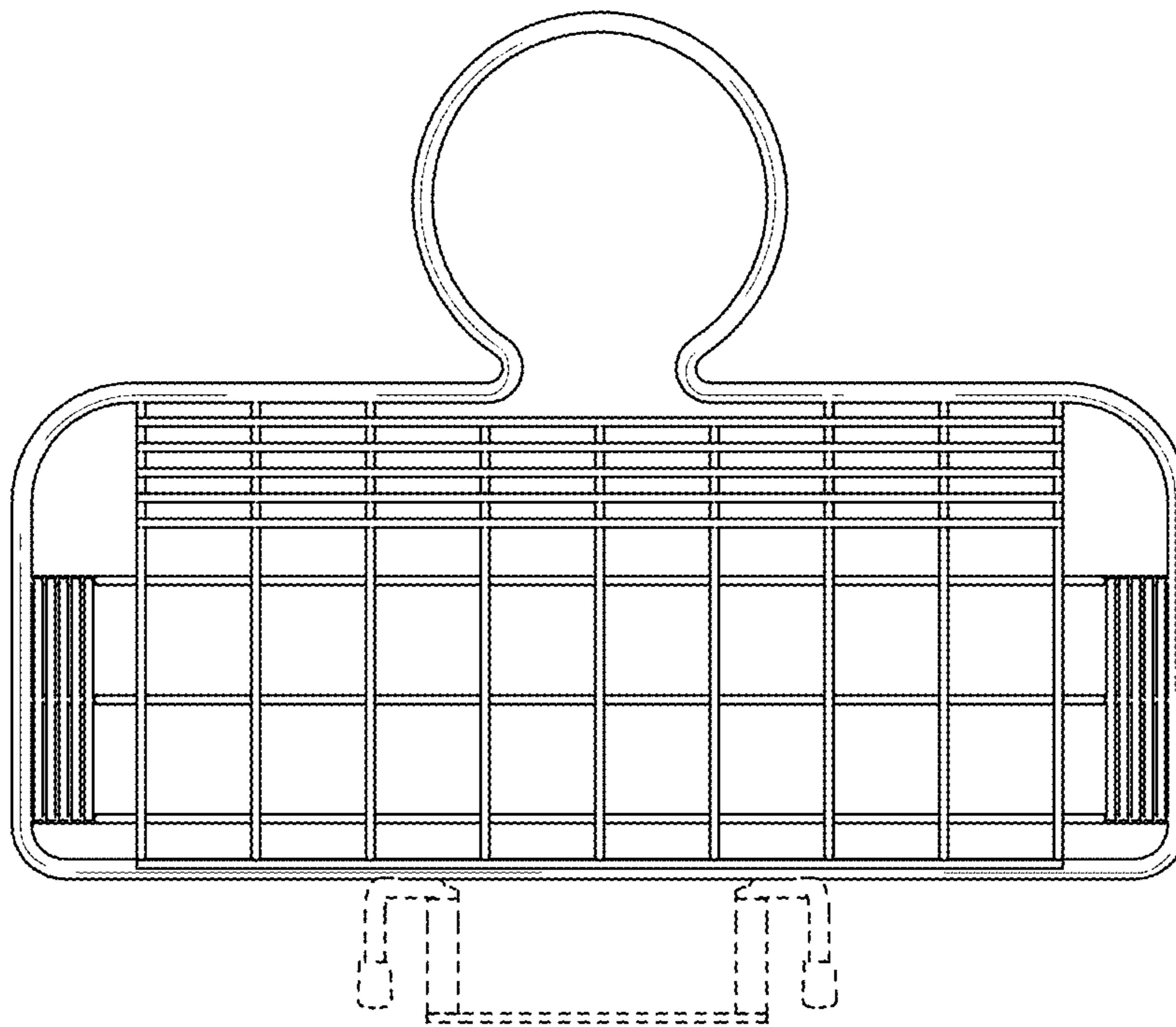


FIG. 6