



US00D784699S

(12) **United States Design Patent**  
**Goodman et al.**

(10) **Patent No.:** **US D784,699 S**

(45) **Date of Patent:** **\*\* Apr. 25, 2017**

- (54) **STYLING CENTER**
- (71) Applicant: **Spectrum Diversified Designs, LLC**,  
Streetsboro, OH (US)
- (72) Inventors: **Aaron D. Goodman**, Beachwood, OH  
(US); **Phaysouk Xayoiphonh**, Akron,  
OH (US)
- (73) Assignee: **Spectrum Diversified Designs, LLC**,  
Streetsboro, OH (US)

D588,814 S *	3/2009	Ghiorghie	.....	D3/304
D588,815 S *	3/2009	Ghiorghie	.....	D3/304
D616,680 S *	6/2010	Snider	.....	D6/513
D628,385 S *	12/2010	Klein	.....	D6/513
D650,209 S *	12/2011	Snider	.....	D6/513
D675,466 S *	2/2013	Goodman	.....	D6/566
D676,370 S *	2/2013	Pawsat	.....	D12/223
D690,108 S *	9/2013	Goodman	.....	D3/306
D718,054 S *	11/2014	Goodman	.....	D3/306
D728,255 S *	5/2015	Guindi	.....	D6/513
D762,421 S *	8/2016	Goodman	.....	D6/566
D764,171 S *	8/2016	Goodman	.....	D3/306
D770,801 S *	11/2016	Goodman	.....	D6/549

(\*\*) Term: **15 Years**

(21) Appl. No.: **29/554,735**

(22) Filed: **Feb. 15, 2016**

(51) **LOC (10) Cl.** ..... **03-01**

(52) **U.S. Cl.**  
USPC ..... **D3/306**

(58) **Field of Classification Search**  
USPC ..... D3/304-307, 314-315; D6/511,  
D6/566-567, 572-574, 540, 672-673,  
D6/678, 678.4  
CPC ..... B65D 1/00; B65D 1/34; B65D 21/0211;  
B65D 1/38  
See application file for complete search history.

(56) **References Cited**

**U.S. PATENT DOCUMENTS**

4,730,758 A *	3/1988	McMurtrey	.....	B62J 7/06
				224/417
D584,056 S *	1/2009	Ghiorghie	.....	D3/304

\* cited by examiner

*Primary Examiner* — Kelley Donnelly

(74) *Attorney, Agent, or Firm* — Benesch, Friedlander,  
Coplan & Aronoff LLP

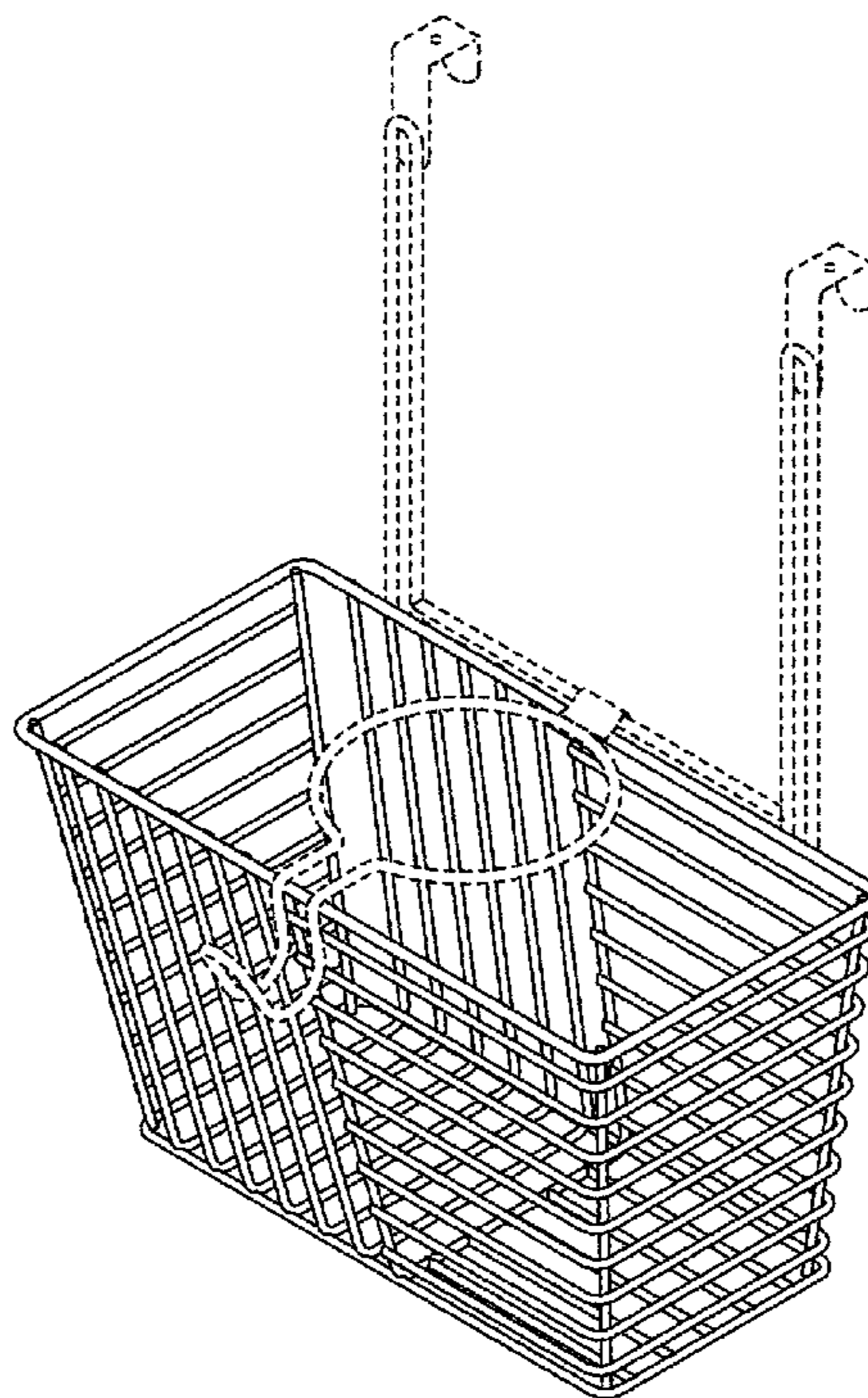
(57) **CLAIM**

What is claimed is the ornamental design for a styling center,  
as shown and described.

**DESCRIPTION**

FIG. 1 is a perspective view of a styling center showing a  
new design;  
FIG. 2 is a front view of the styling center of FIG. 1;  
FIG. 3 is a rear view of the styling center of FIG. 1;  
FIG. 4 is a side view of the styling center of FIG. 1;  
FIG. 5 is a top view of the styling center of FIG. 1; and  
FIG. 6 is a bottom view of the styling center of FIG. 1.  
The broken line showing is included for the purpose of  
illustrating environment and forms no part of the claimed  
design.

**1 Claim, 4 Drawing Sheets**



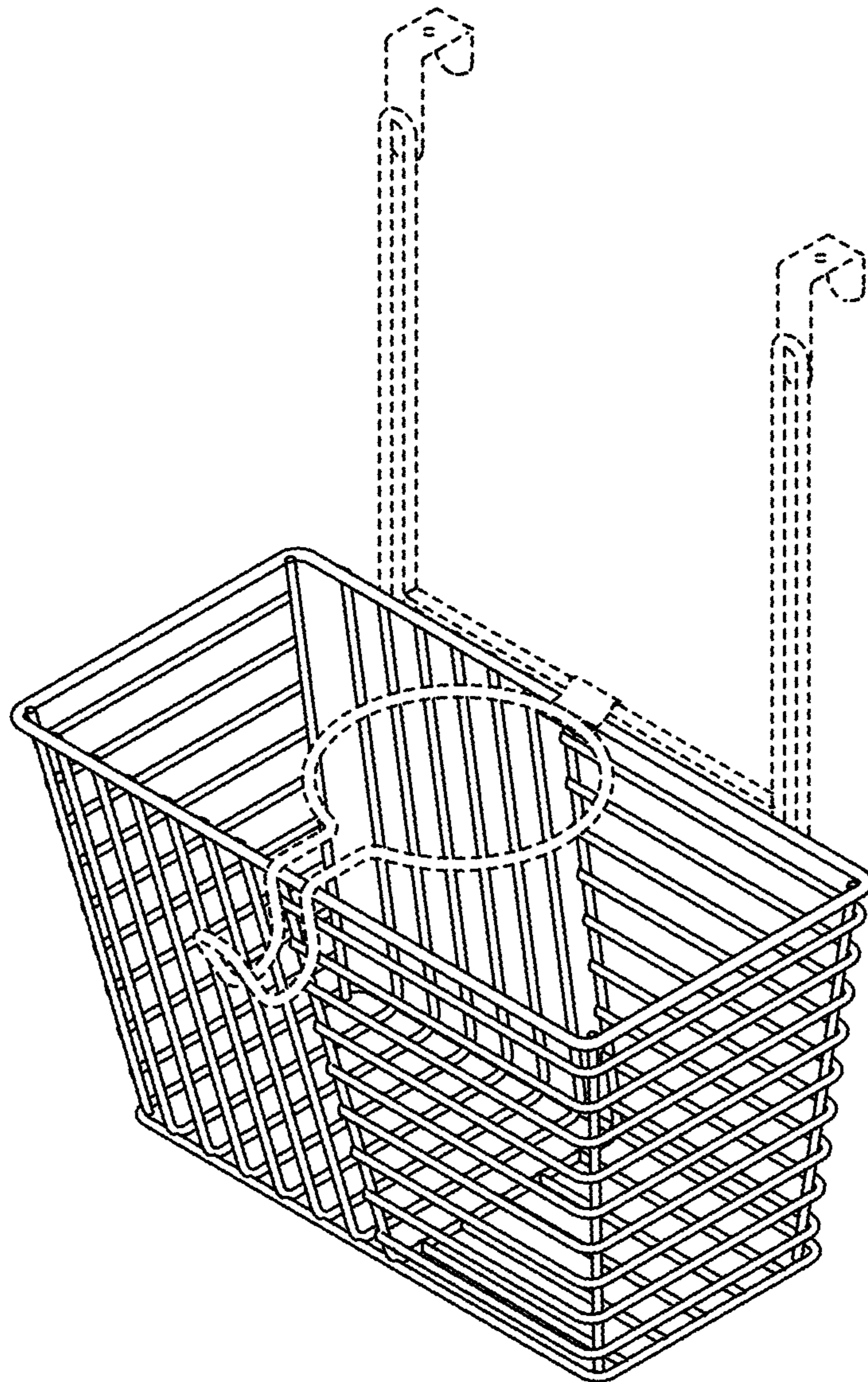


FIG. 1

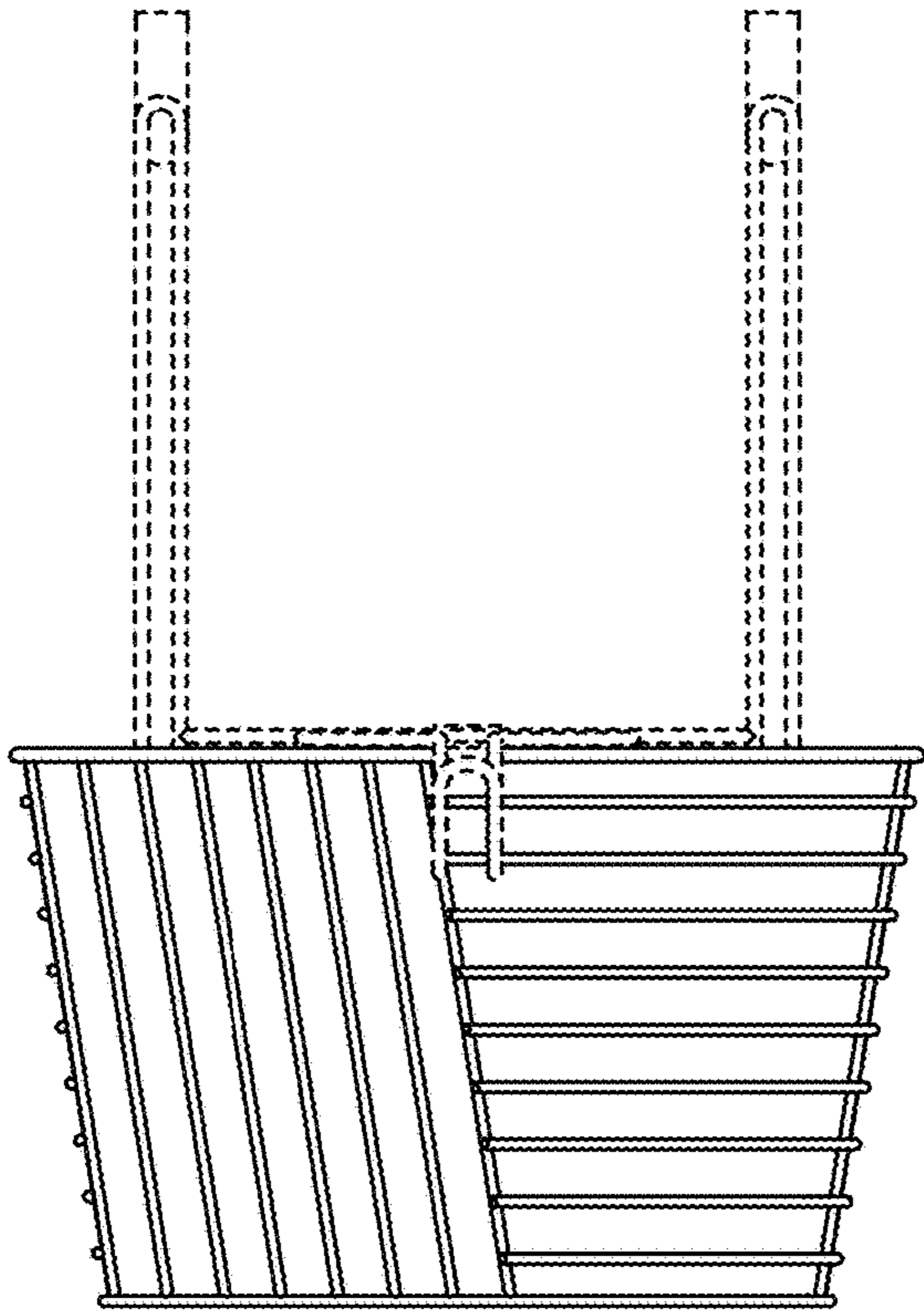


FIG. 2

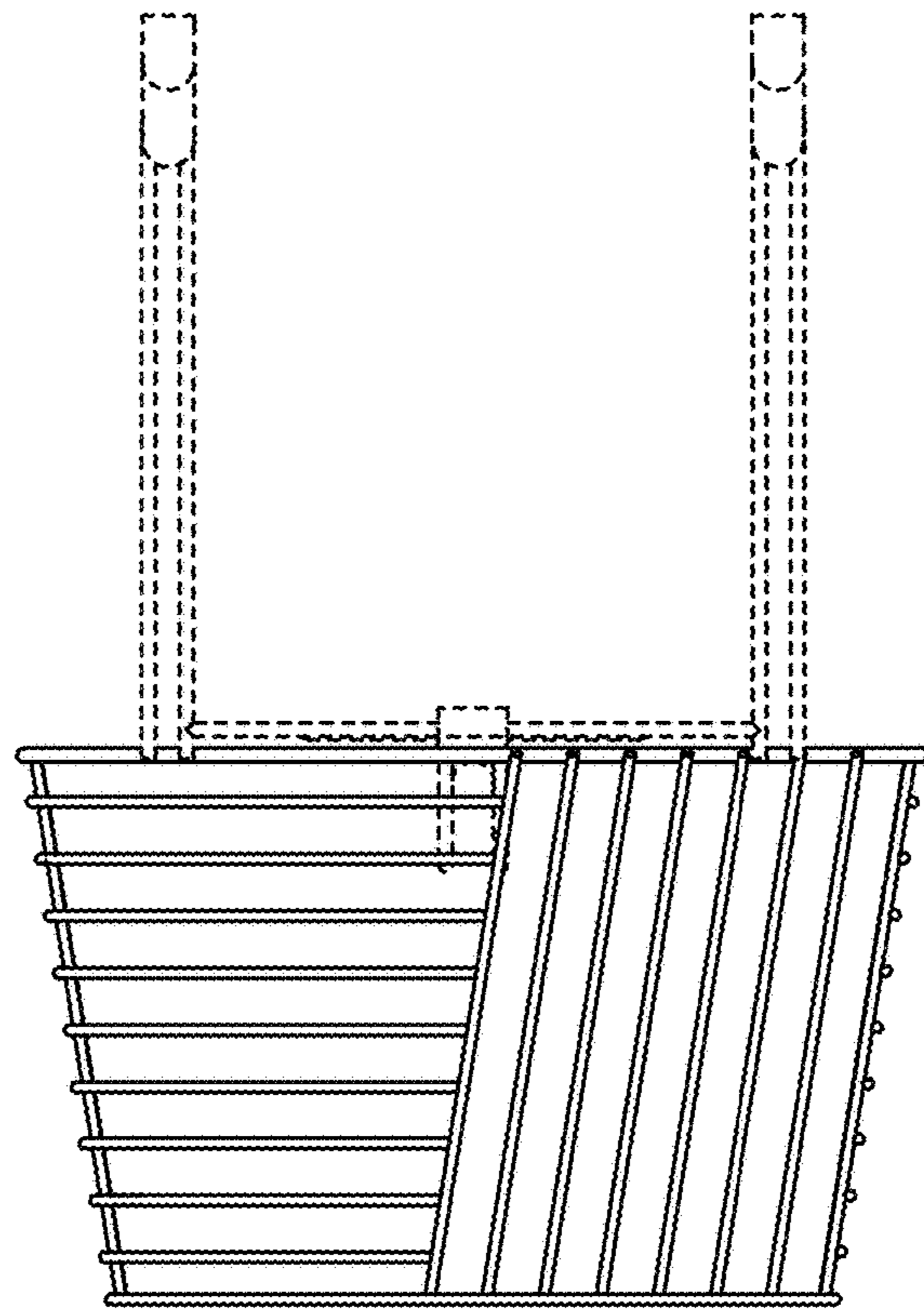


FIG. 3

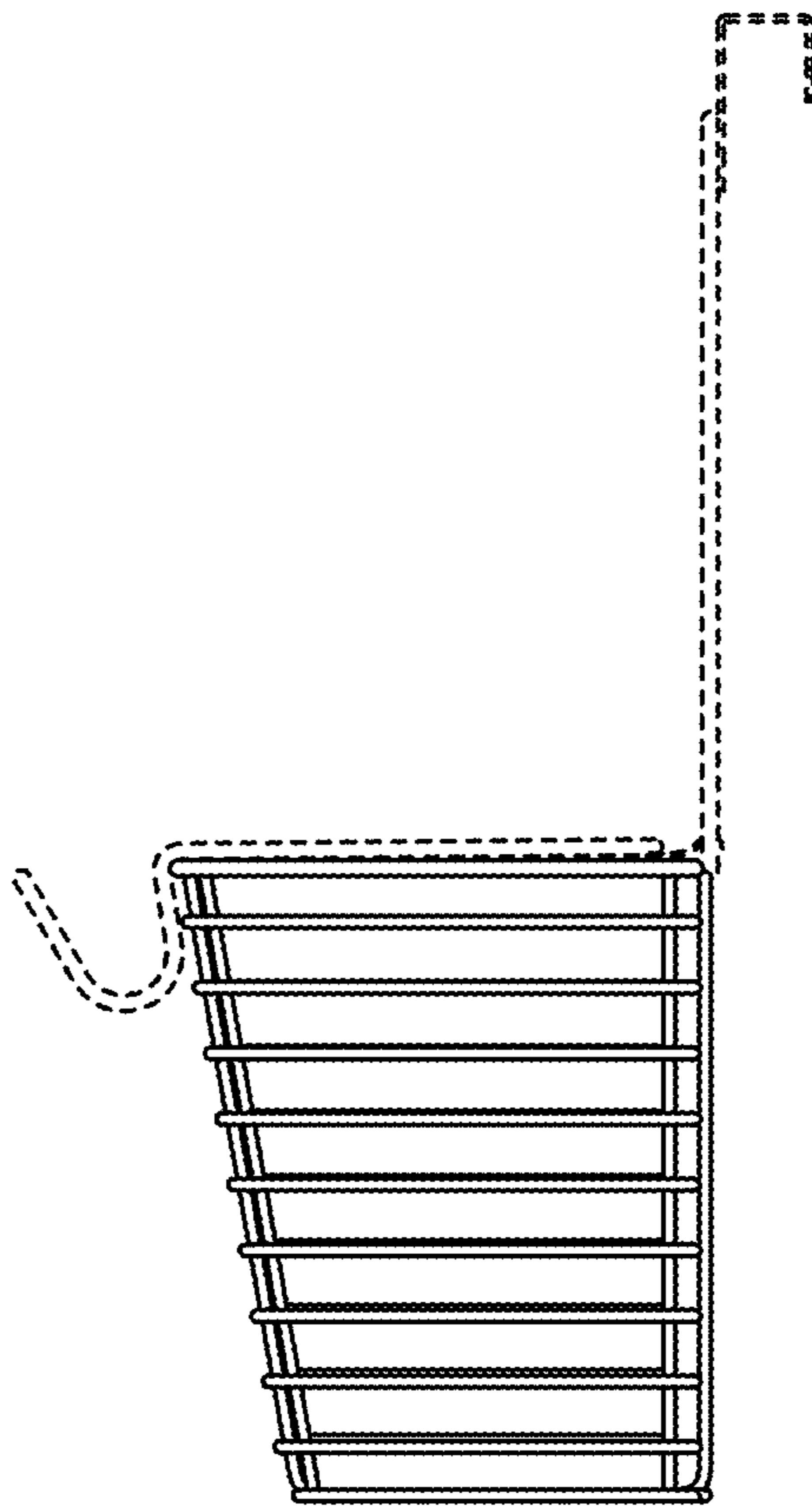


FIG. 4

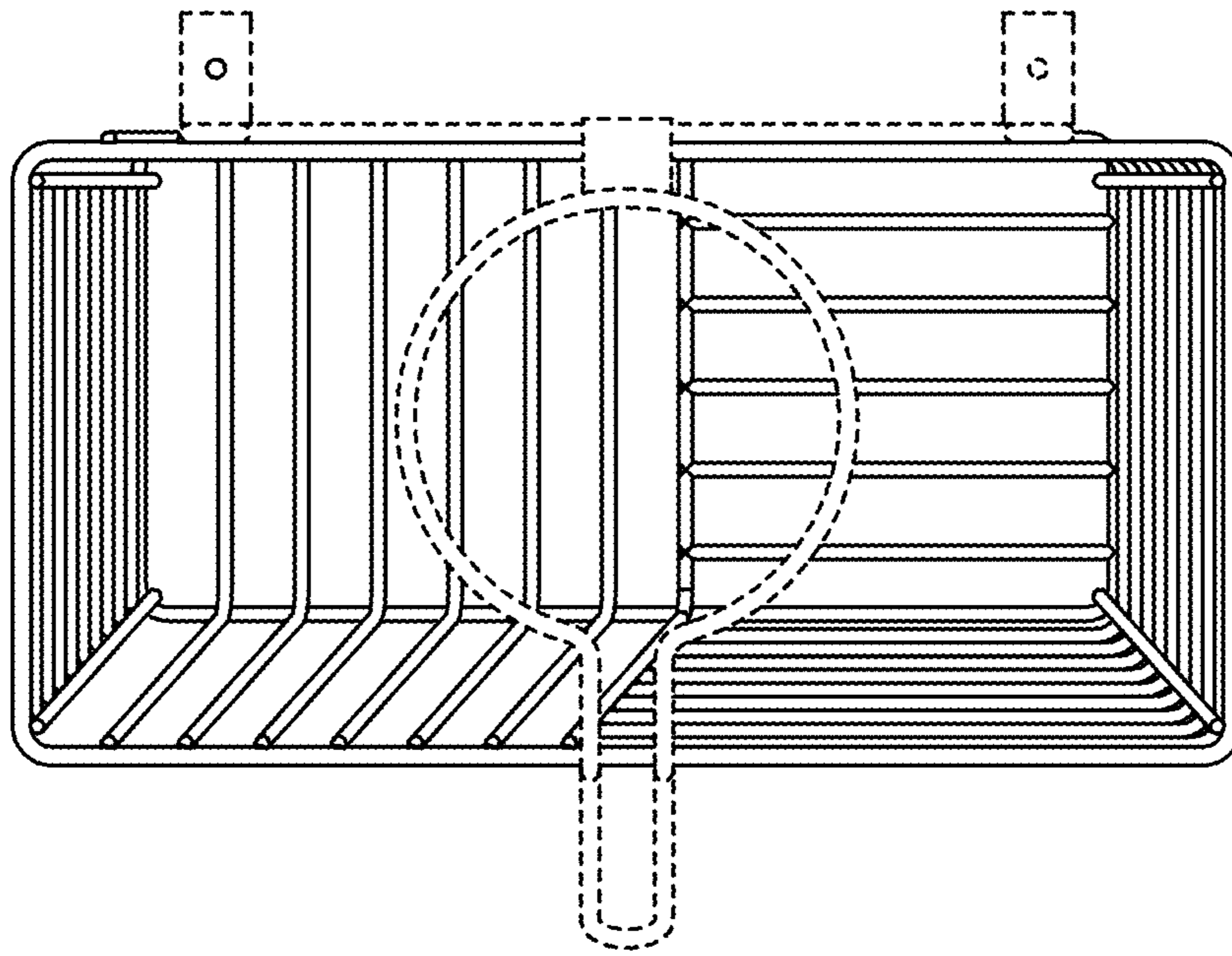


FIG. 5

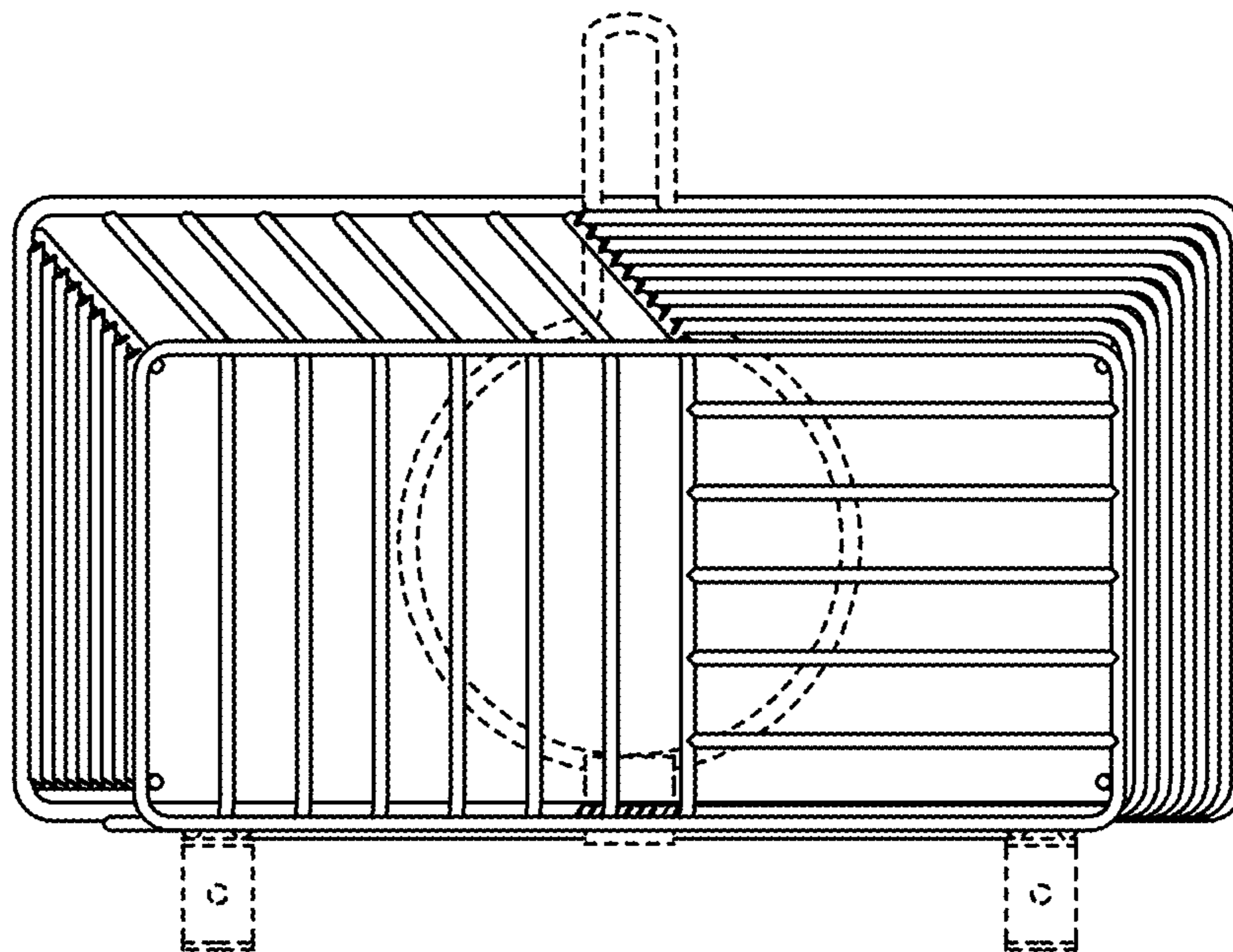


FIG. 6