



US00D784696S

(12) **United States Design Patent** (10) **Patent No.:** **US D784,696 S**
Chong (45) **Date of Patent:** **** Apr. 25, 2017**

(54) **ACCESSORY CADDY**

(71) Applicant: **Elkay Manufacturing Company**, Oak Brook, IL (US)

(72) Inventor: **Jonathan Chee Yeen Chong**, Chicago, IL (US)

(73) Assignee: **Elkay Manufacturing Company**, Oak Brook, IL (US)

(**) Term: **15 Years**

(21) Appl. No.: **29/554,289**

(22) Filed: **Feb. 10, 2016**

(51) **LOC (10) Cl.** **03-01**

(52) **U.S. Cl.**
USPC **D3/304**

(58) **Field of Classification Search**
USPC D3/303-304, 307-308, 310, 315;
D19/65, 75, 77-78, 86, 90, 92, 95
CPC ... B65D 1/00; B65D 1/22; B65D 1/24; B65D
1/26
See application file for complete search history.

(56) **References Cited**

U.S. PATENT DOCUMENTS

D363,627	S	*	10/1995	North	D6/513
D481,894	S	*	11/2003	Hunt	D6/525
D486,644	S	*	2/2004	Claypool	D3/304
D546,593	S	*	7/2007	Bergin	D3/201
D577,913	S	*	10/2008	Thompson	D6/567
D595,775	S	*	7/2009	Weinstein	D19/90
D679,528	S	*	4/2013	Gilboe	D6/525
D697,309	S	*	1/2014	Baldwin	D3/304
D711,665	S	*	8/2014	Mattei	D6/567
D723,302	S	*	3/2015	Goodman	D6/566
D725,911	S	*	4/2015	McManus	D3/315
D726,446	S	*	4/2015	Tollasepp	D6/553
9,022,266	B1	*	5/2015	Kleppin	B62J 9/00 224/413

(Continued)

OTHER PUBLICATIONS

“004091 CLASSIC+ Worktop Stainless Steel Kitchen Sink”, Home Refinements-Julien, Inc., <http://www.homerefinements.ca/en/product/model/004091>, (Downloaded from internet Sep. 21, 2016).

(Continued)

Primary Examiner — Kelley Donnelly

(74) *Attorney, Agent, or Firm* — Leydig, Voit & Mayer, Ltd

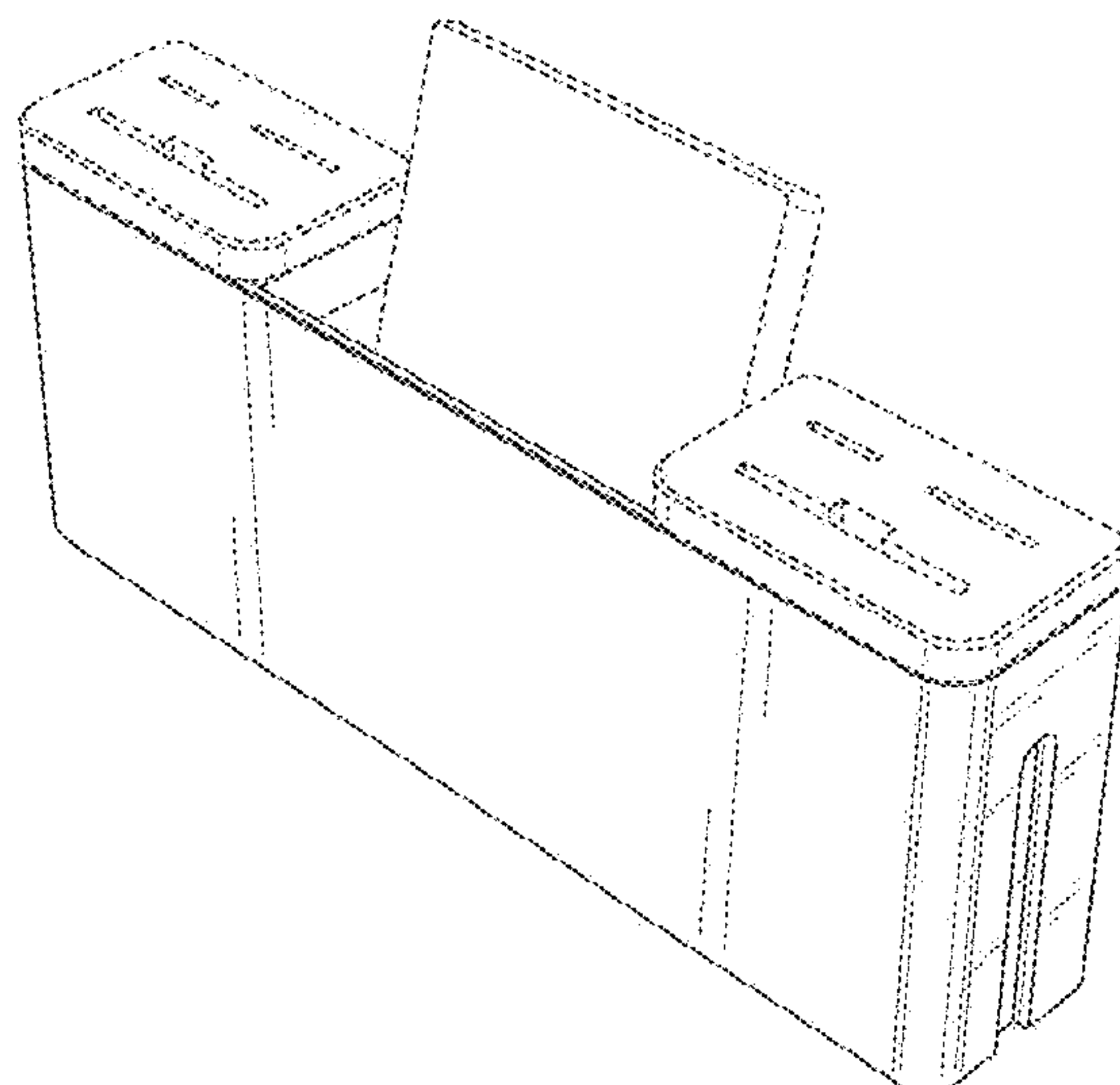
(57) **CLAIM**

The ornamental design for an accessory caddy, as shown and described.

DESCRIPTION

FIG. 1 is a perspective view taken from the top, front, and right side of an accessory caddy showing our new design; FIG. 2 is a perspective view taken from the top, front, and left side of an accessory caddy showing our new design; FIG. 3 is a top plan view of the accessory caddy shown in FIG. 1; FIG. 4 is a bottom view of lite accessory caddy shown in FIG. 1; FIG. 5 is a front elevational view of the accessory caddy shown in FIG. 1; FIG. 6 is a rear elevational view of the accessory caddy shown in FIG. 1; FIG. 7 is a right elevational side view of the accessory caddy shown in FIG. 1; and, FIG. 8 is a left elevational side view of the accessory caddy shown in FIG. 1. The broken lines showing is included for the purpose of illustrating environment and forms no part of the claimed design.

1 Claim, 5 Drawing Sheets



(56)

References Cited

U.S. PATENT DOCUMENTS

D731,728 S * 6/2015 Evans D32/55
D764,315 S * 8/2016 Rachocki D9/432

OTHER PUBLICATIONS

“A la Carte Options,” Home Refinements-Julien, in [http://www/homerefinements.ca/en/a-la-carte/options/](http://www.homerefinements.ca/en/a-la-carte/options/), (Downloaded from internet Sep. 21, 2016).

“Innovative Kitchen Sinks—Interior Design inspiration,” Eva Designs, <http://www.evadesigns.com/interior-design/kitchen/innovative-kitchen-sinks/>, (Jul. 20, 2010).

“OL-320L,” Oulin, <http://www.oulin.com.pk/my-product/sink-21/>, (Jul. 9, 2014).

“ONE™ Stainless Steel Sink Accessories,” Blanco, <http://www.blanco-germany.com/en-us/en-us/sinks/sink-accessories/one-acc-sets.html>, (Downloaded from Internet Sep. 21, 2016).

“Strive Under-Mount Kitchen Sink, K-528-NA,” Kohler, <http://www.us.kohler.com/us/Strive%E2%84%A2-32-x-18-1-4-x-9-5-16-under-mount-double-equal-kitchen-sink-with-basin-rack/productDetail/Under-Mount-Sinks/941424.htm?brandId=969700&skuId=941401&categoryId=651473&hash=id%3Dfilters%26starIndex%3D20%26scrollTop%3D300> (Downloaded from internet Sep. 21, 2016).

“The BLANCO QUATRUS™Collection,” Blanco, <http://www.blanco-germany.com/en-us/en-us/sinks/new-sinks/new-accessories/quatrus-accesories.html>, (Downloaded from internet Sep. 21, 2016).

* cited by examiner

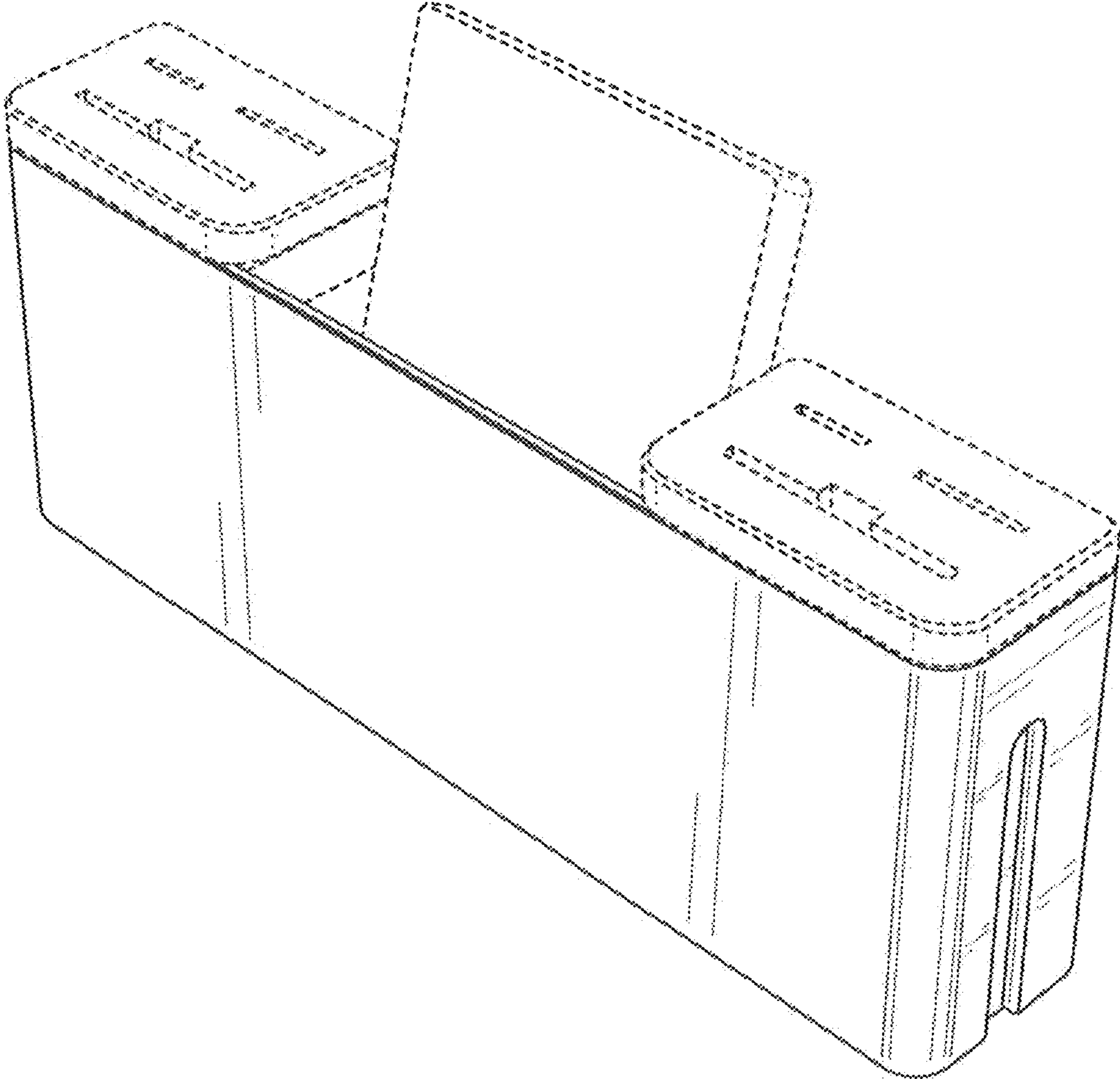


FIG. 1

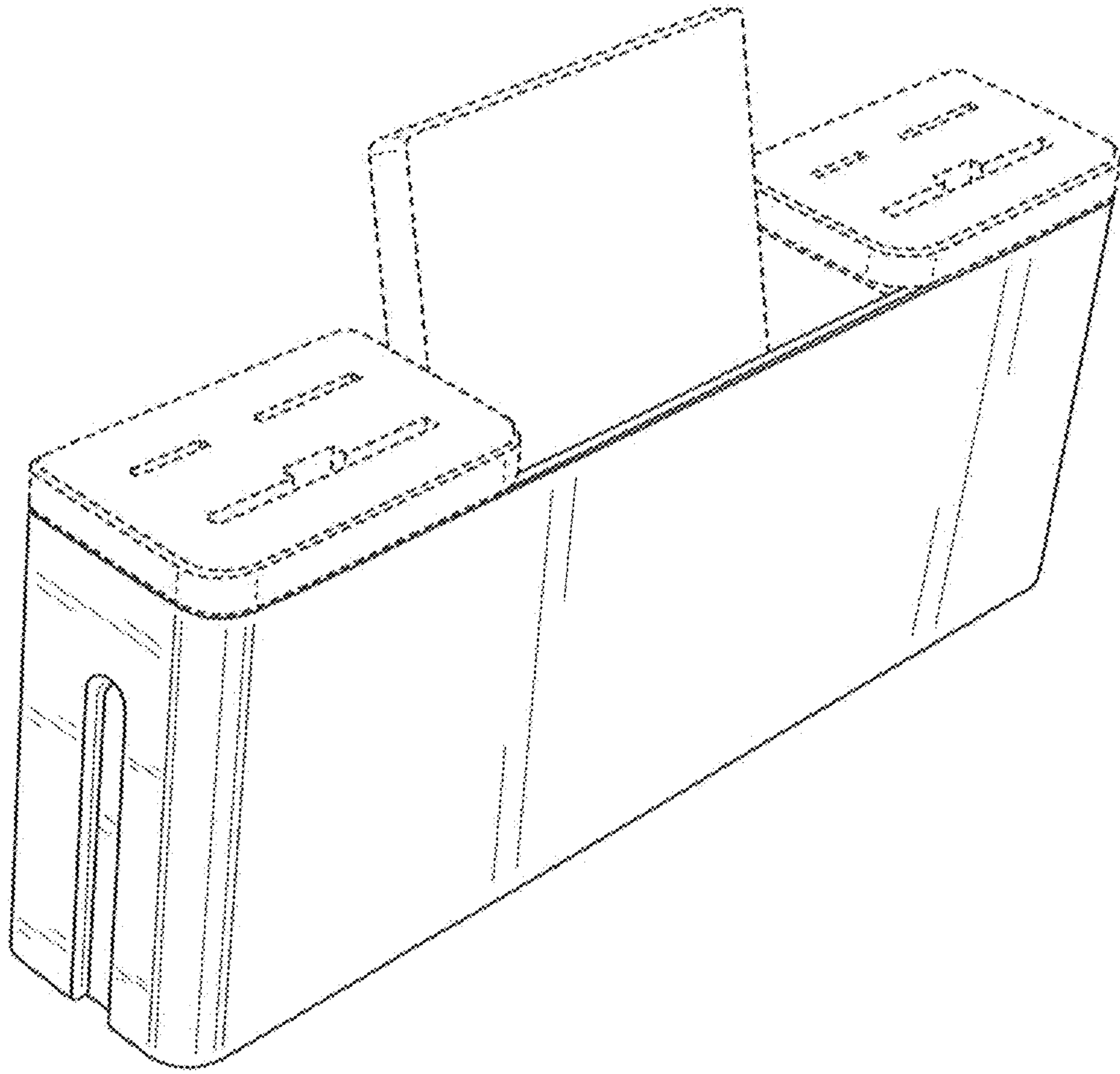


FIG. 2

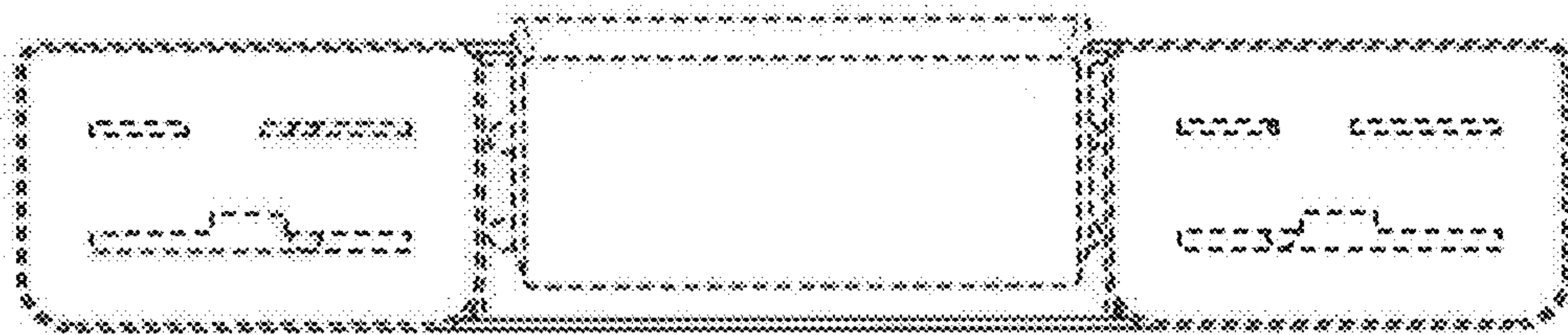


FIG. 3

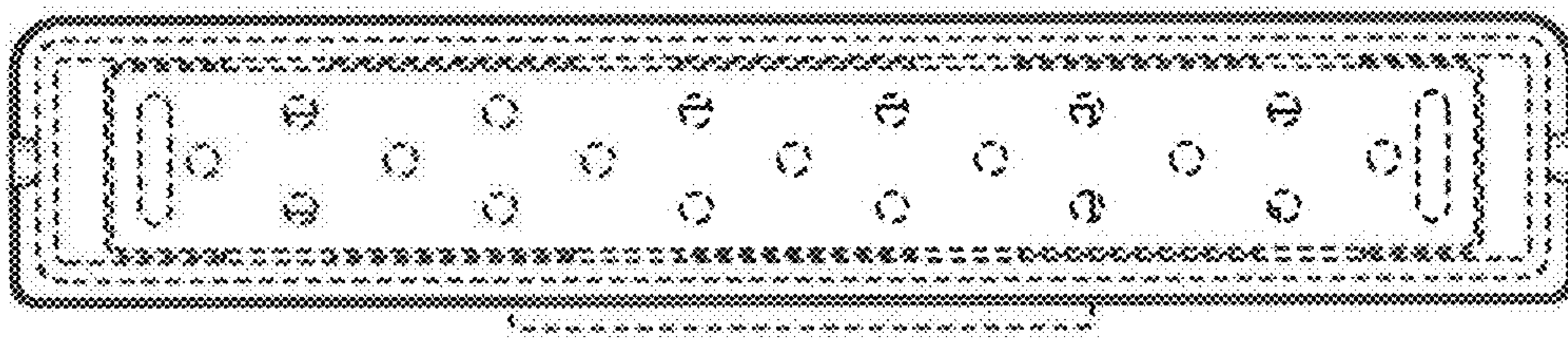


FIG. 4

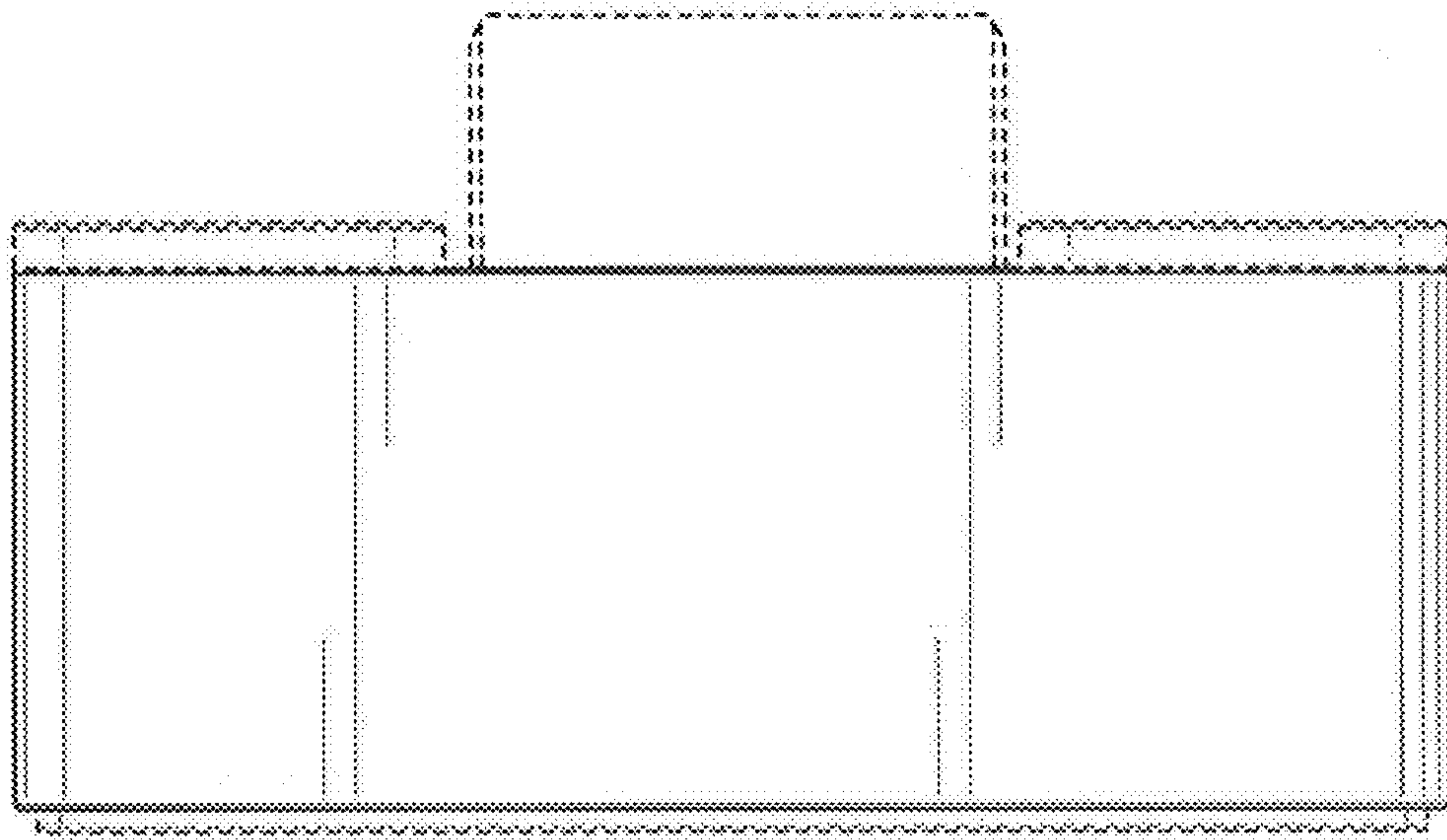


FIG. 5

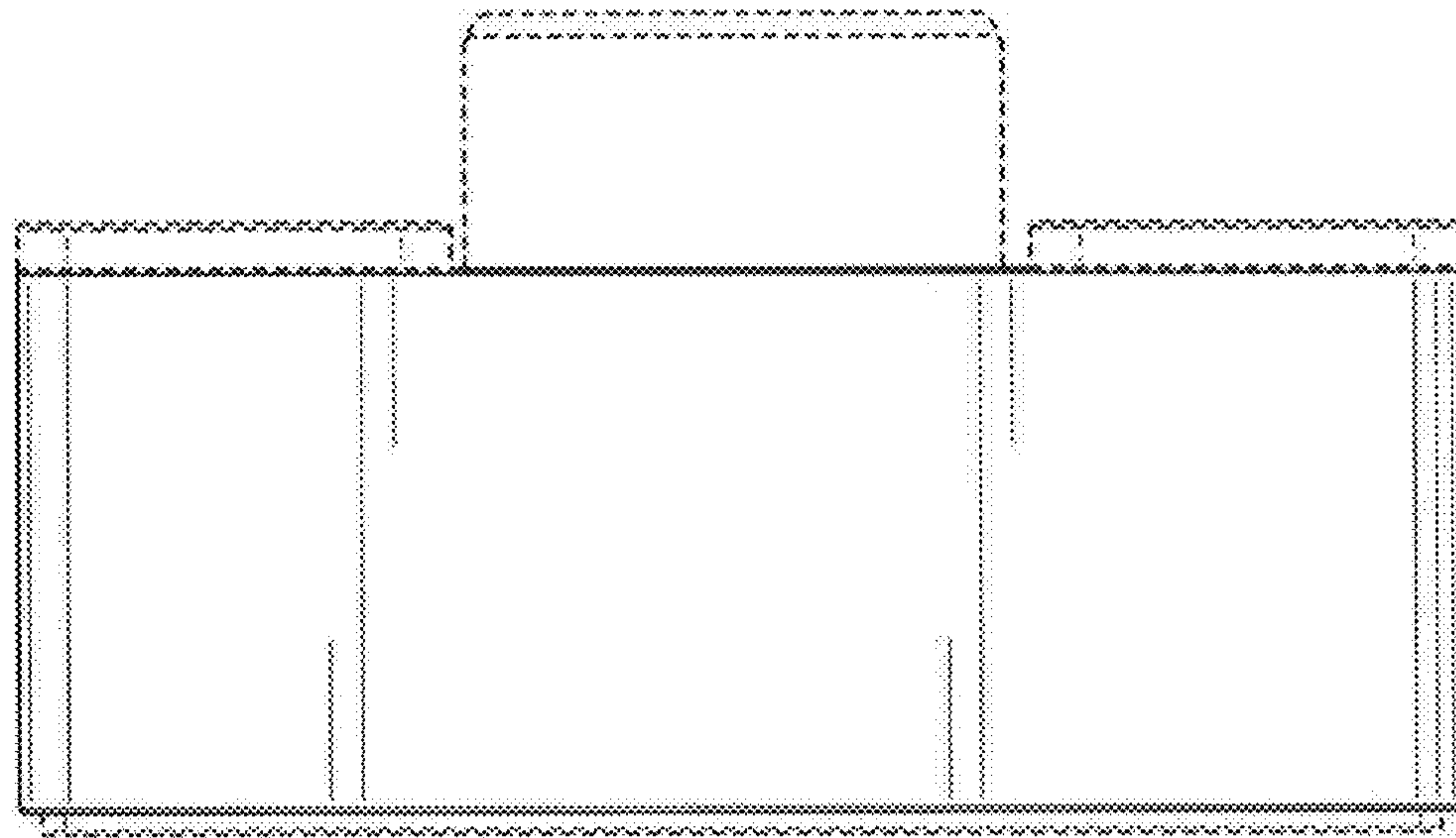


FIG. 6

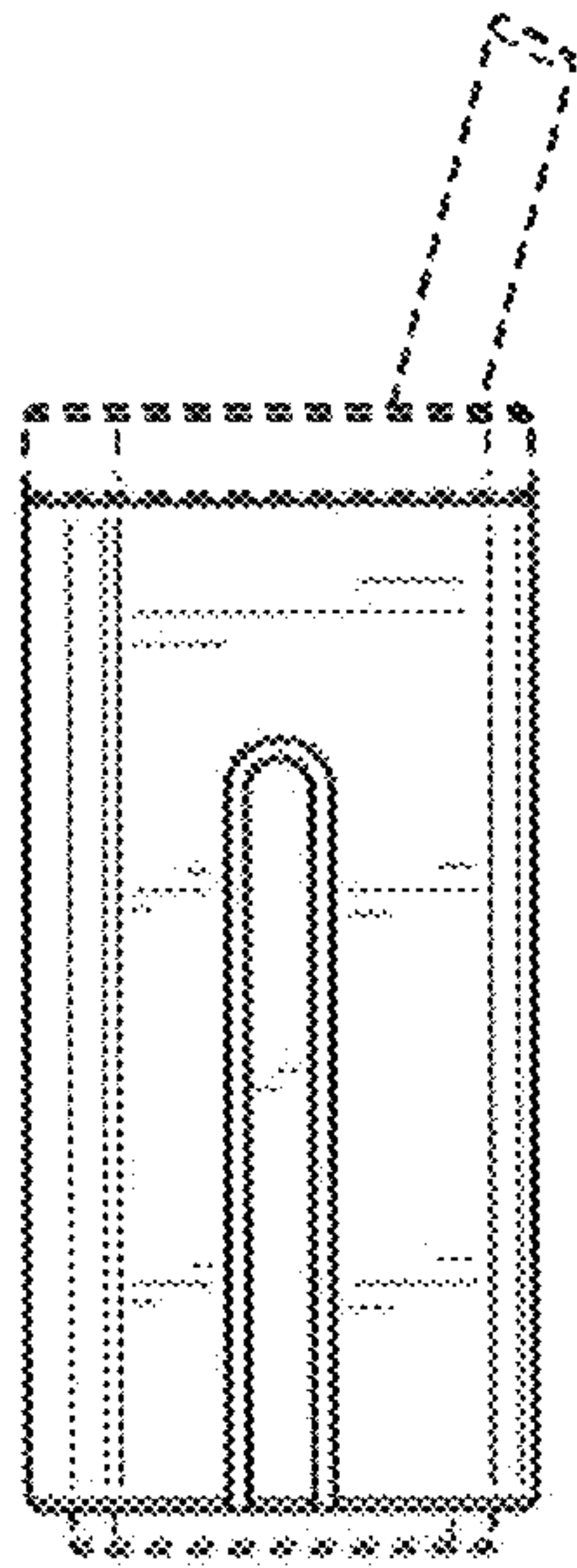


FIG. 7

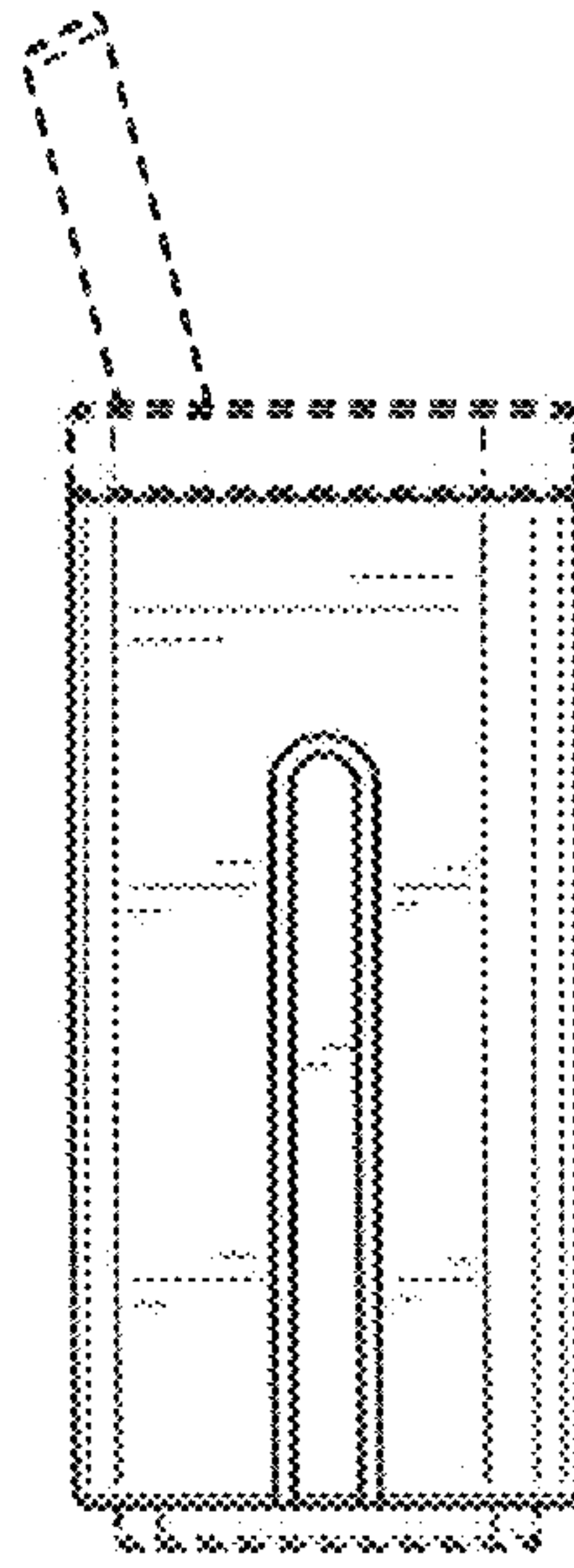


FIG. 8