



US00D784694S

(12) **United States Design Patent**
Priebe et al.

(10) **Patent No.:** **US D784,694 S**
(45) **Date of Patent:** **** Apr. 25, 2017**

- (54) **CONTACT LENS CASE**
- (71) Applicant: **Apothecary Products, LLC**,
Burnsville, MN (US)
- (72) Inventors: **Robert N. Priebe**, Bloomington, MN
(US); **Terrance O. Noble**, Burnsville,
MN (US)
- (73) Assignee: **Apothecary Products, LLC**,
Burnsville, MN (US)

- D358,477 S 5/1995 De Meo
- 5,433,314 A 7/1995 Lin
- 5,443,172 A 8/1995 Gabriele
- 5,452,792 A 9/1995 Zautke et al.
- 6,382,409 B1 5/2002 Scala
- 6,679,373 B1 1/2004 Clevenger
- D498,590 S 11/2004 Borovsky
- 6,868,963 B2 3/2005 Borovsky
- D512,565 S 12/2005 Sasso
- D551,448 S 9/2007 Stull
- D566,388 S * 4/2008 Nevins D3/263
(Continued)

- (**) Term: **14 Years**
- (21) Appl. No.: **29/501,834**
- (22) Filed: **Sep. 9, 2014**

OTHER PUBLICATIONS

Contact Lens Case [online]. apothecaryproducts.com, 2016 [retrieved on Oct. 8, 2016]. Retrieved from the Internet:<<http://store.apothecaryproducts.com/home-healthcare/eye-ear-nasal/eye/contact-lens-accessories/contact-lens-case.html>>.*

(Continued)

Related U.S. Application Data

- (63) Continuation of application No. 29/447,502, filed on Mar. 4, 2013, now Pat. No. Des. 720,532.
- (51) **LOC (10) Cl.** **03-01**
- (52) **U.S. Cl.**
USPC **D3/264**
- (58) **Field of Classification Search**
USPC D3/219, 252, 263–265
CPC A45C 11/04; A45C 11/005; A45C 11/38;
A45C 11/06; A45C 2011/001; G02C
3/04; A47F 7/021
See application file for complete search history.

Primary Examiner — Eric Goodman
Assistant Examiner — Sloan Rozin
(74) *Attorney, Agent, or Firm* — Merchant & Gould P.C.

(57) **CLAIM**

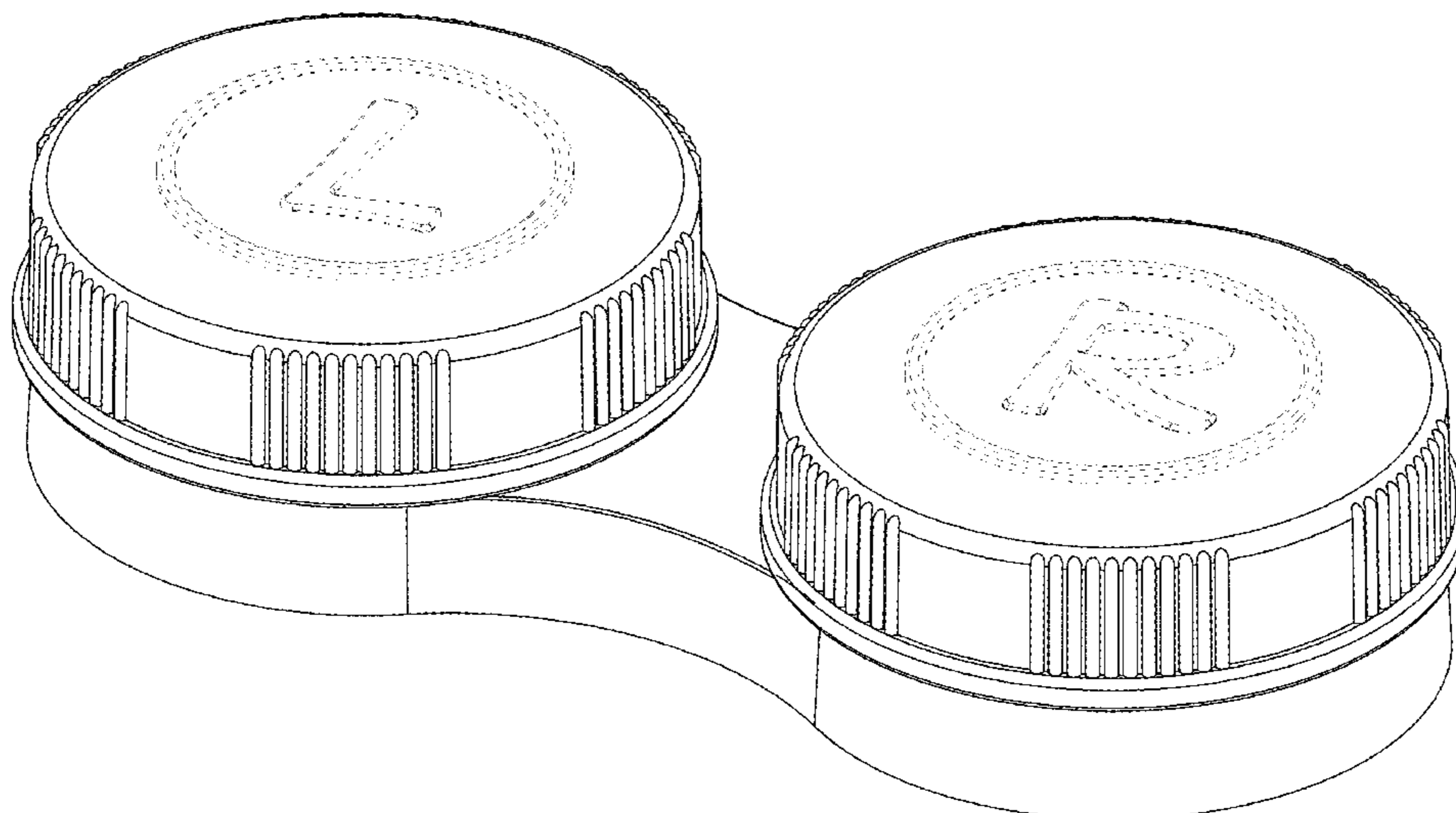
The ornamental design for a contact lens case, as shown and described.

DESCRIPTION

FIG. 1 is a perspective view of a contact lens case, according to our design;
FIG. 2 is a front view thereof;
FIG. 3 is a rear view thereof;
FIG. 4 is a left view thereof;
FIG. 5 is a right view thereof;
FIG. 6 is a top view thereof; and,
FIG. 7 is a bottom view thereof.
In the above drawings, the broken lines and the areas within the broken lines form no part of the claimed design.

1 Claim, 5 Drawing Sheets

- (56) **References Cited**
U.S. PATENT DOCUMENTS
- 2,394,135 A 2/1946 Baar
- 3,005,282 A 10/1961 Christiansen
- D208,166 S 7/1967 Hueber et al.
- D239,413 S 3/1976 Hoogesteger
- 4,011,829 A 3/1977 Wachsmann et al.
- 4,392,569 A 7/1983 Shoup
- D285,744 S 9/1986 Vinot
- D289,923 S 5/1987 Hoogesteger



(56)

References Cited

U.S. PATENT DOCUMENTS

D570,113	S	6/2008	Maraia et al.	
D571,555	S *	6/2008	Maraia	D3/263
D575,955	S	9/2008	Maraia et al.	
7,628,269	B2	12/2009	O'Hara et al.	
7,661,383	B2	2/2010	Song	
7,832,551	B2	11/2010	Newman et al.	
8,550,238	B2	10/2013	Josephson et al.	
D704,440	S	5/2014	Kroupa	
D714,051	S *	9/2014	Priebe	D3/264
D714,052	S *	9/2014	Priebe	D3/264
D720,532	S	1/2015	Priebe et al.	
2002/0069896	A1	6/2002	Pankow	
2004/0140229	A1	7/2004	Borovsky	
2005/0087455	A1	4/2005	Mahieu et al.	
2005/0109638	A1	5/2005	Eastman	
2006/0011496	A1	1/2006	Mangabeira Nunez	
2006/0102496	A1	5/2006	Christy et al.	
2007/0261970	A1	11/2007	Stull	
2008/0179200	A1	7/2008	O'Hara et al.	
2010/0122917	A1	5/2010	Azera	
2012/0000798	A1	1/2012	Thompson et al.	
2012/0193245	A1	8/2012	Wright	
2013/0220840	A1	8/2013	Priebe et al.	
2013/0220851	A1	8/2013	Priebe et al.	

OTHER PUBLICATIONS

"Picture of Two-Tone Silicone Skin Case for Nintendo Wii Remote and Nunchuck—blue, green, orange, pink," dated prior to Feb. 29, 2012.

"Pictures from ikeeps icases," dated prior to Feb. 29, 2012.

* cited by examiner

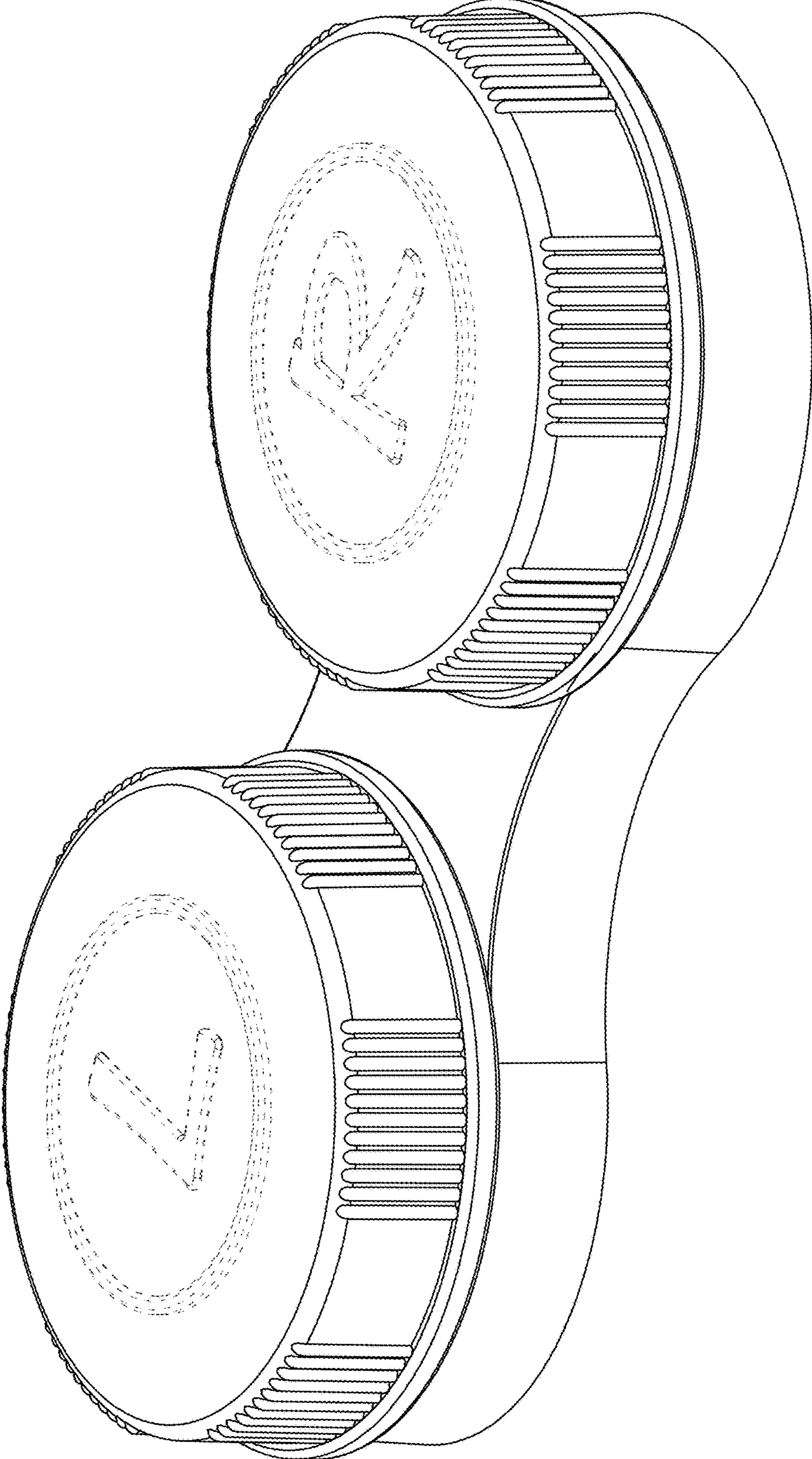


FIG. 1

FIG. 2

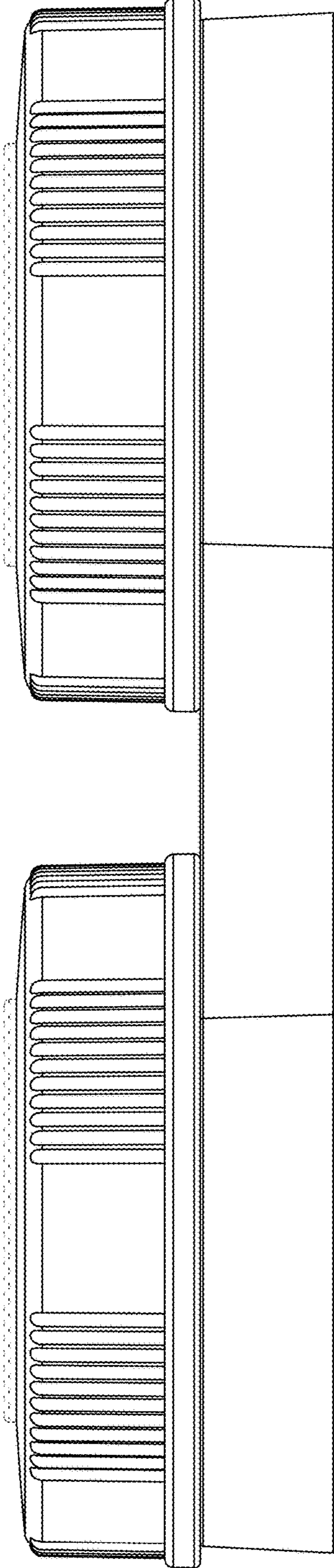


FIG. 3

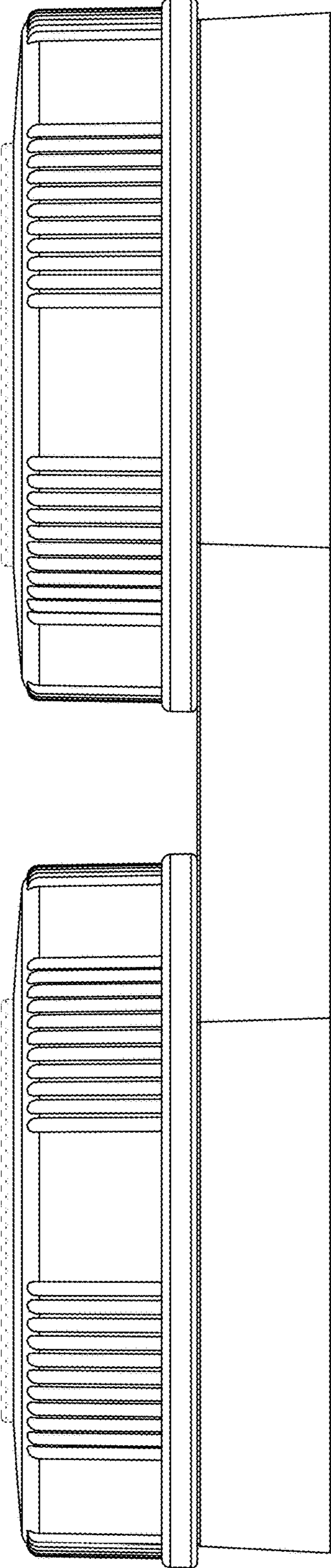


FIG. 4

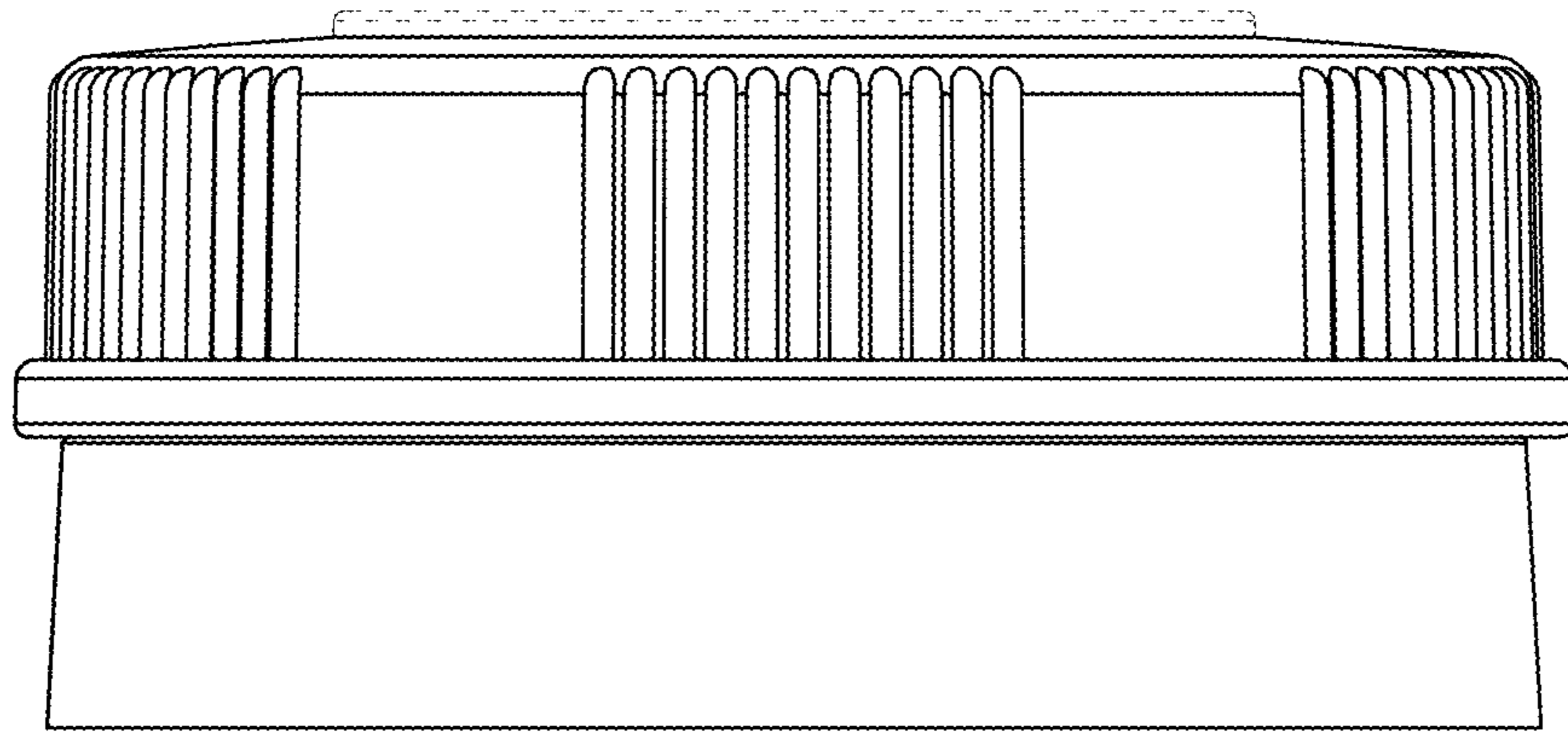
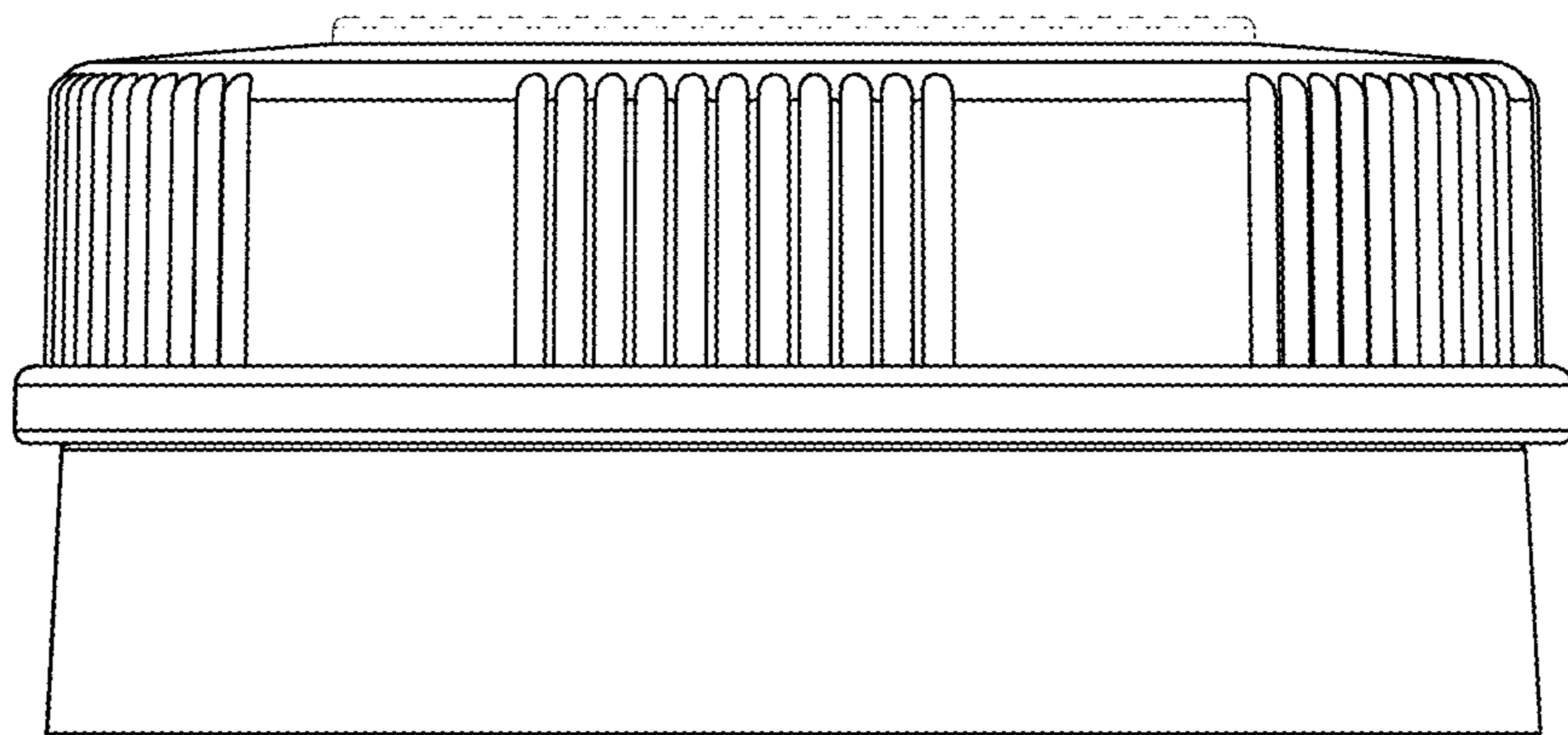


FIG. 5



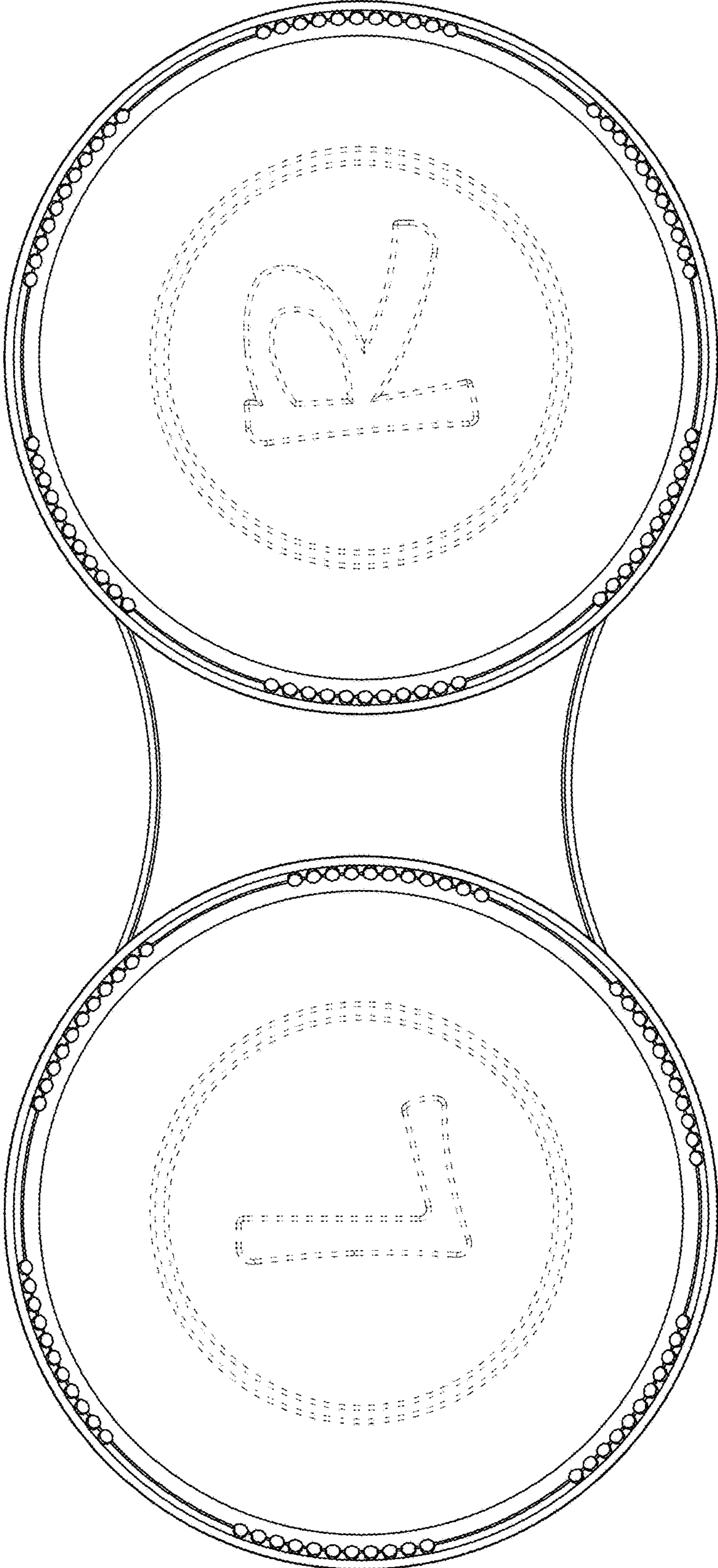


FIG. 6

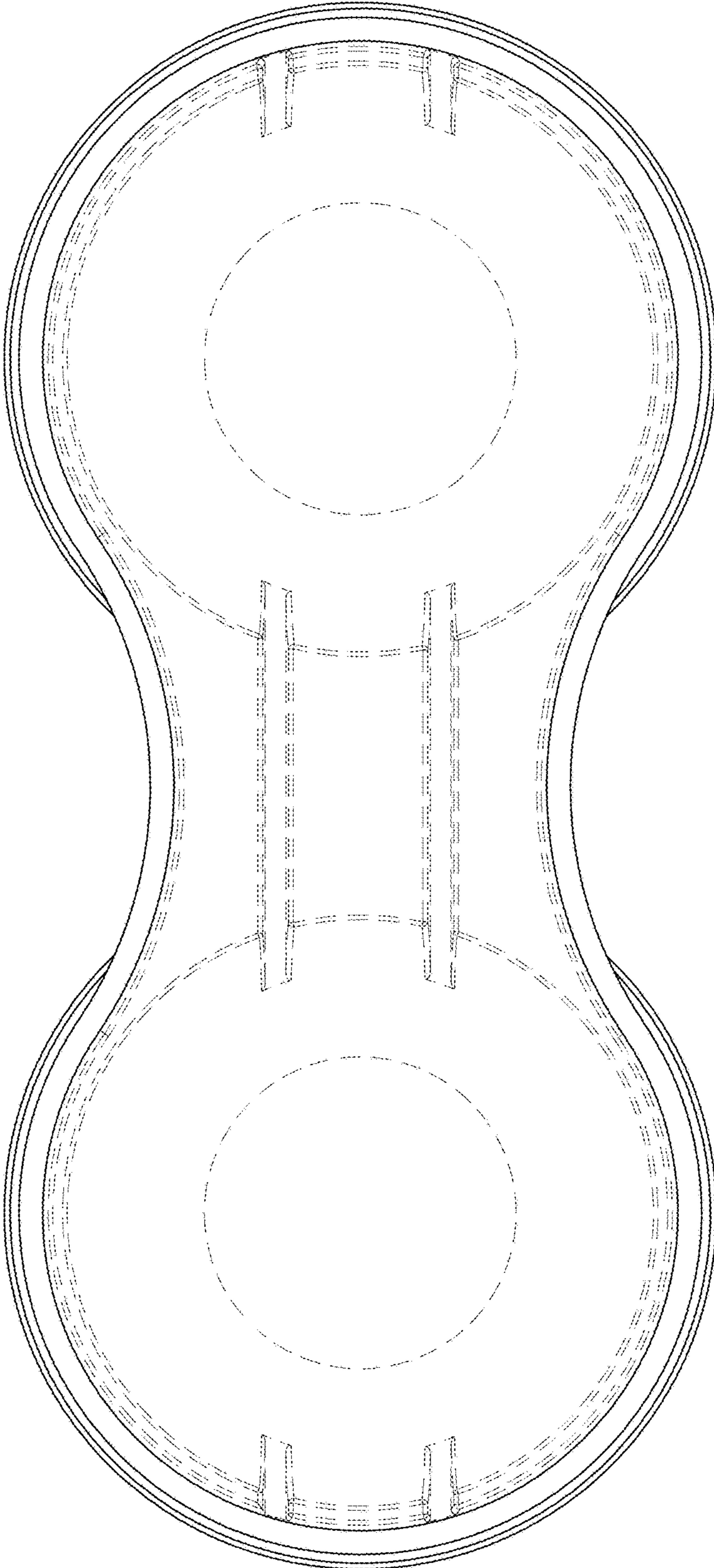


FIG. 7