

US00D784692S

(12) **United States Design Patent**
Sandorffy et al.

(10) **Patent No.:** **US D784,692 S**

(45) **Date of Patent:** **** Apr. 25, 2017**

(54) **EXERCISE EQUIPMENT CARRYING APPARATUS**

(71) Applicant: **YogaHustle, Inc.**, La Jolla, CA (US)

(72) Inventors: **Edward Sandorffy**, Santa Monica, CA (US); **Laleh Hejazi**, Santa Monica, CA (US)

(**) Term: **15 Years**

(21) Appl. No.: **29/551,116**

(22) Filed: **Jan. 11, 2016**

(51) **LOC (10) Cl.** **03-01**

(52) **U.S. Cl.**
USPC **D3/254; D3/327**

(58) **Field of Classification Search**
USPC D3/201, 214, 215, 221, 254, 315, 316, D3/318, 327, 328
CPC A45F 3/14; A45F 2003/142; A45F 3/02; A45F 3/047; A45C 9/00
See application file for complete search history.

(56) **References Cited**

U.S. PATENT DOCUMENTS

D995,458	6/1911	Harriman	
2,715,989 A	5/1952	Sjodin et al.	
4,518,107 A *	5/1985	Amos	A45F 3/04 224/153
4,911,347 A *	3/1990	Wilhite	A45F 3/14 224/251
5,350,096 A	9/1994	Sieber	
5,437,401 A	8/1995	Seltzer	
5,664,721 A *	9/1997	Homeyer	A01K 97/08 224/149
6,491,196 B1	12/2002	Coler	
7,971,763 B2 *	7/2011	Chace	A45F 3/02 224/153

8,905,275 B1 *	12/2014	Klein	A45F 3/14 224/250
D759,374 S *	6/2016	Cheung-Costanza	D3/254
2010/0288811 A1	11/2010	Bouzianis et al.	
2014/0014697 A1 *	1/2014	Schmierer	A45F 3/047 224/259
2014/0069970 A1	3/2014	Thomas, Jr.	

FOREIGN PATENT DOCUMENTS

DE	WO2009092359	7/2009
IT	WO2007138524	12/2007
WO	WO2013028413	2/2013

* cited by examiner

Primary Examiner — Mitchell Siegel
(74) *Attorney, Agent, or Firm* — Buche & Associates, P.C.; John K. Buche; Bryce A. Johnson

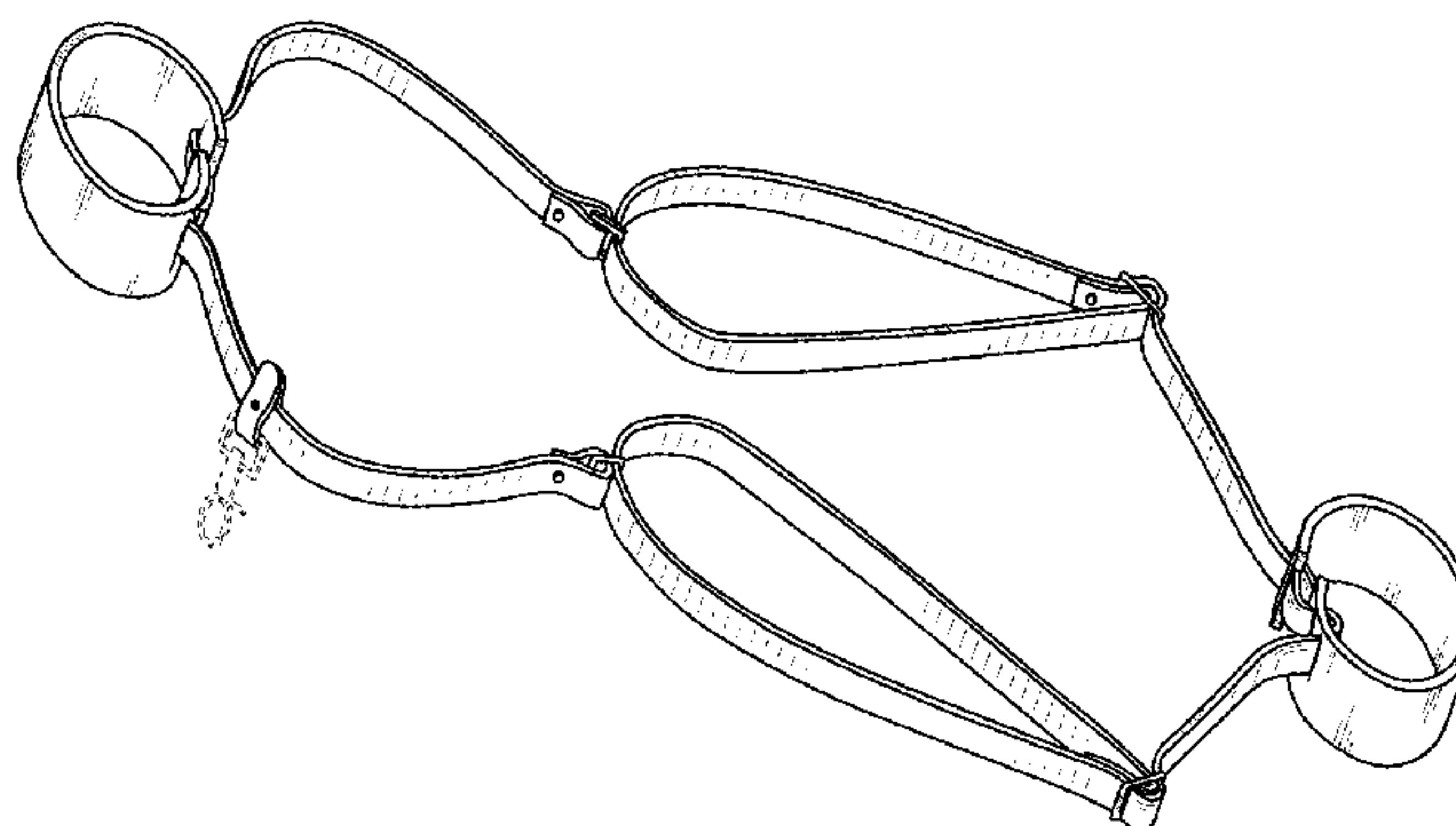
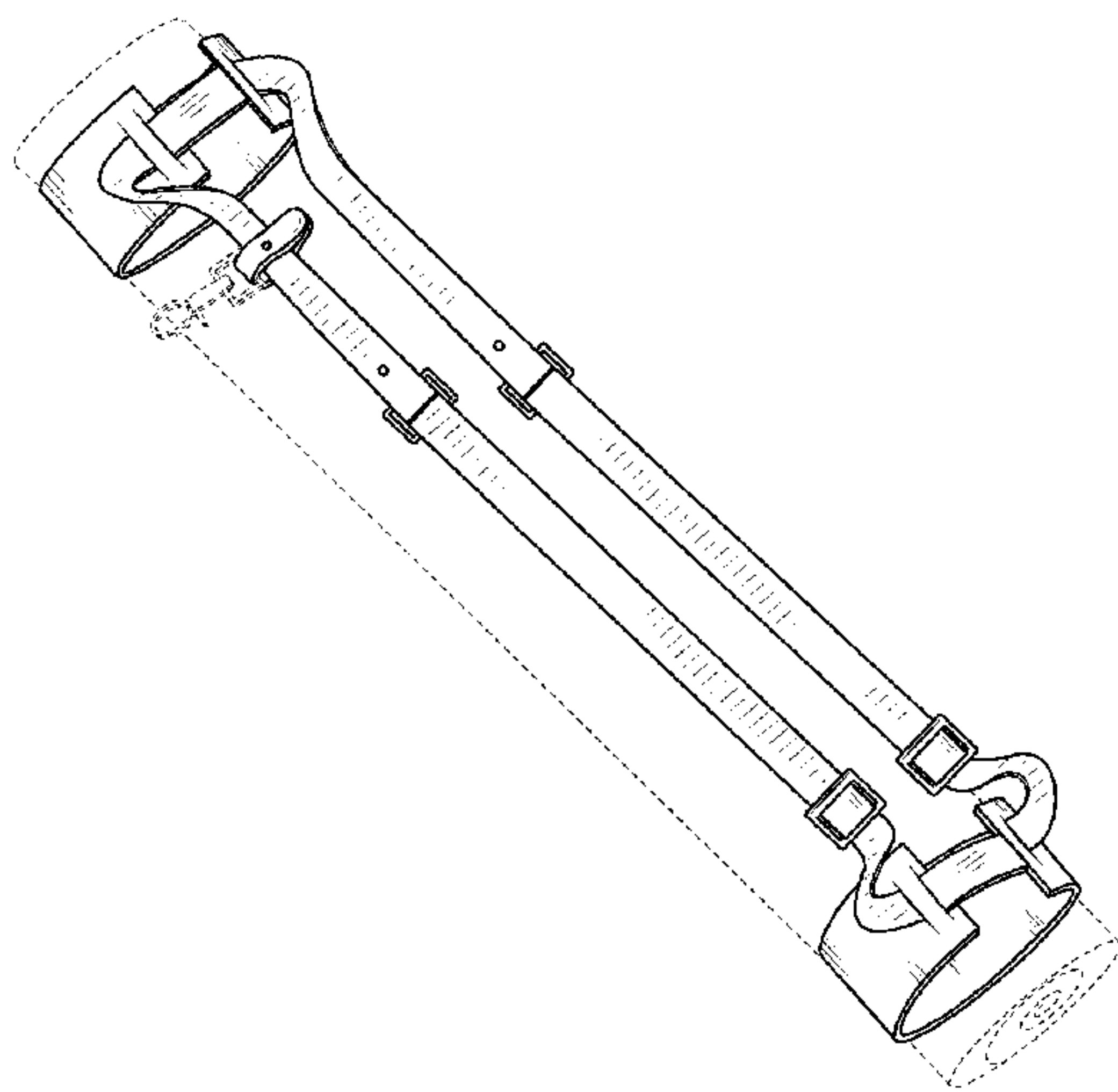
(57) **CLAIM**

The ornamental design for exercise equipment carrying apparatus, as shown and described.

DESCRIPTION

FIG. 1 is a perspective view of an exercise equipment carrying apparatus; shown in an “in use” configuration; FIG. 2 is a perspective view shown in an alternate position; FIG. 3 is a front elevational view of FIG. 2; FIG. 4 is a rear elevational view of FIG. 2; FIG. 5 is a left side elevational view of FIG. 2; FIG. 6 is a right side elevational view of FIG. 2; FIG. 7 is a top plan view of FIG. 2; FIG. 8 is a bottom plan view of FIG. 2; FIG. 9 is a perspective view of FIG. 1; and, FIG. 10 is another perspective view being shown in an “in use” configuration. The broken line showing is included for the purpose of illustrating and forms no part of the claimed design.

1 Claim, 6 Drawing Sheets



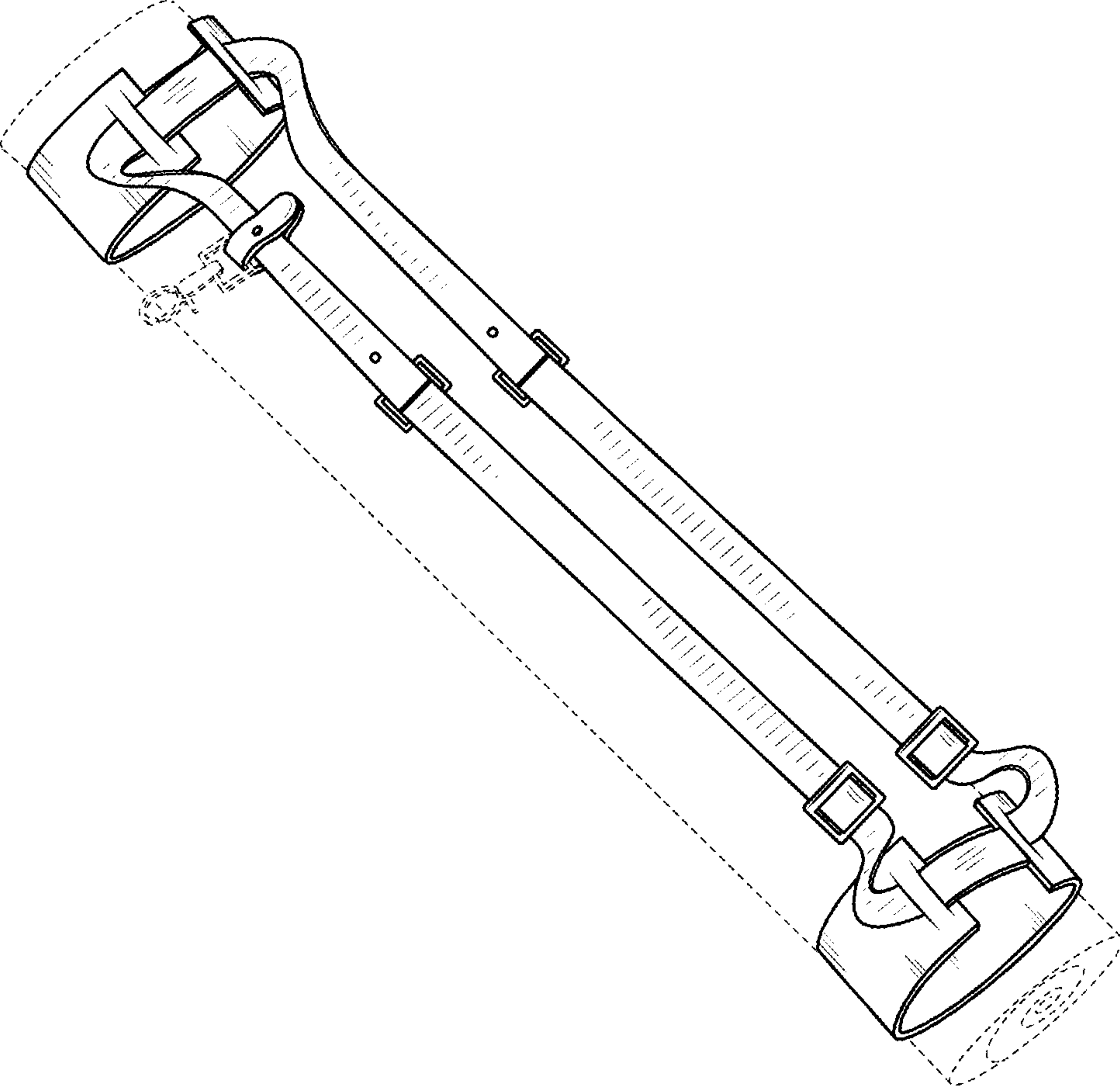


FIG. 1

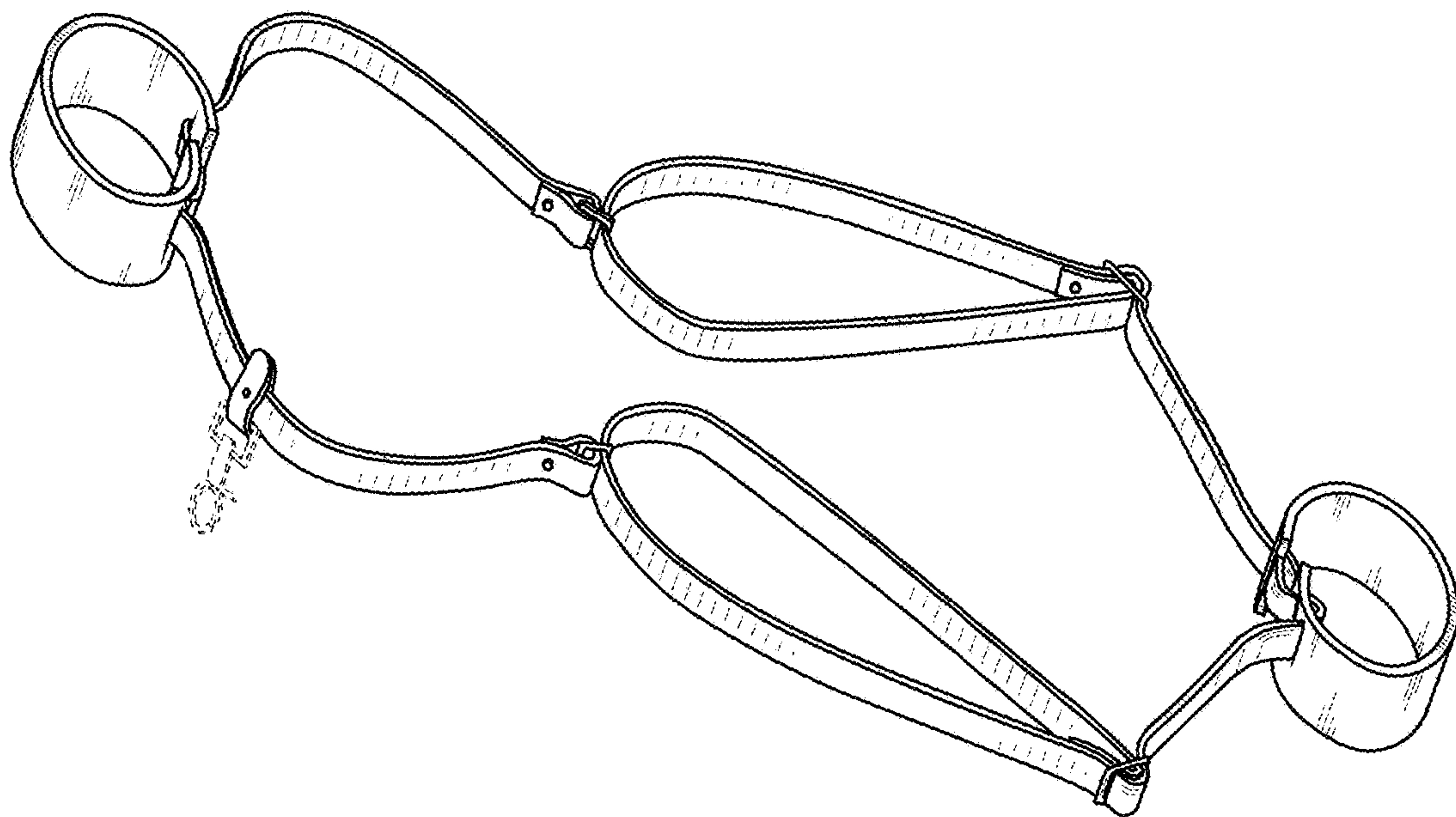


FIG. 2

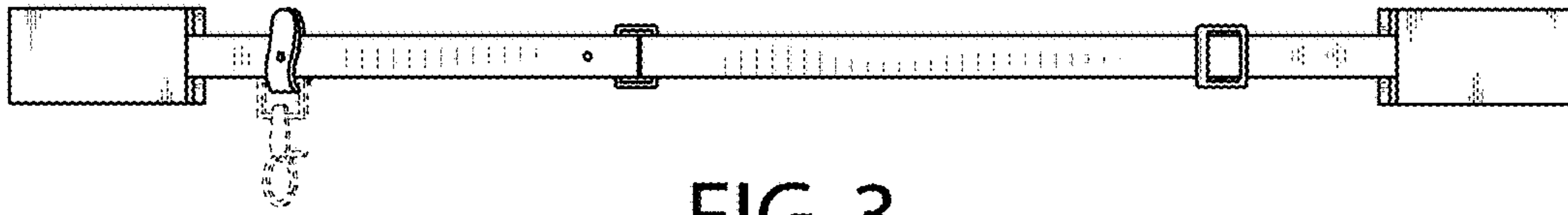


FIG. 3

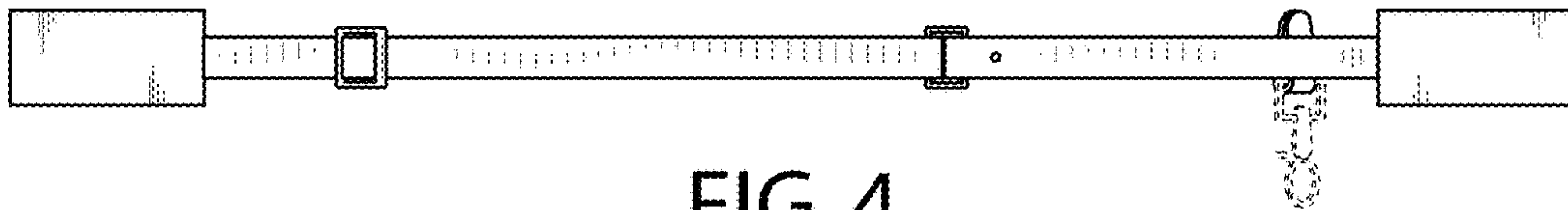


FIG. 4

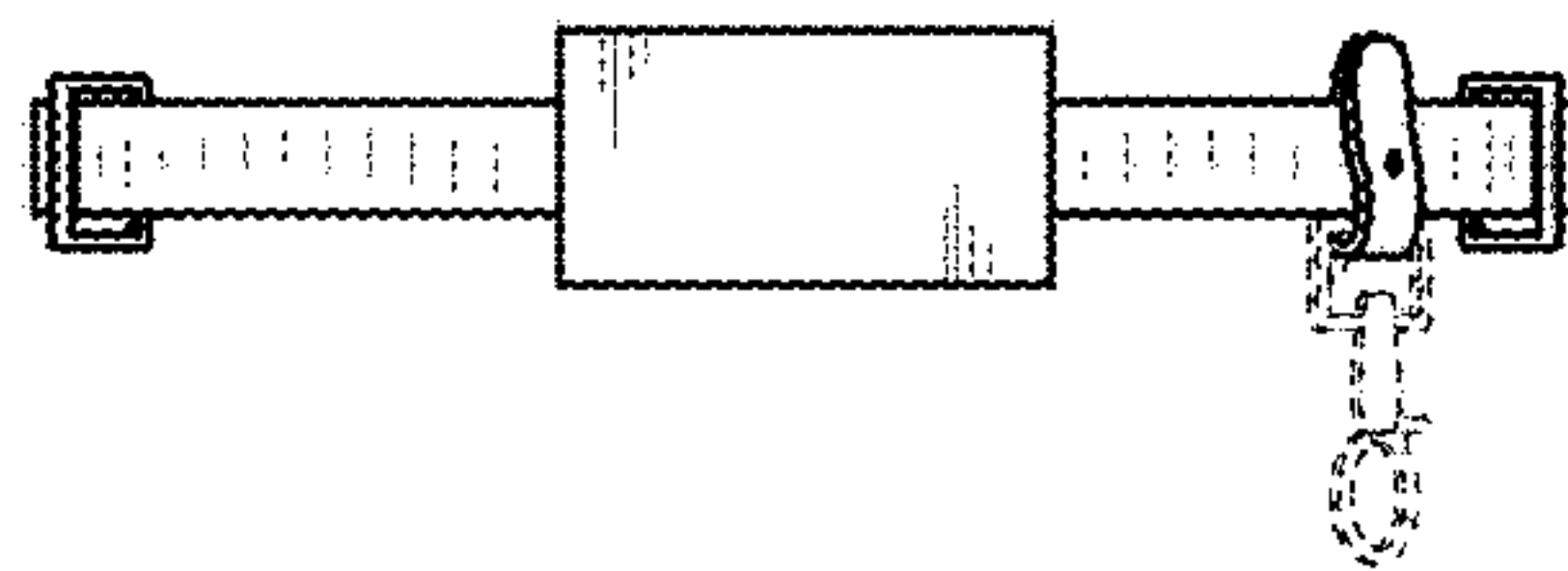


FIG. 5

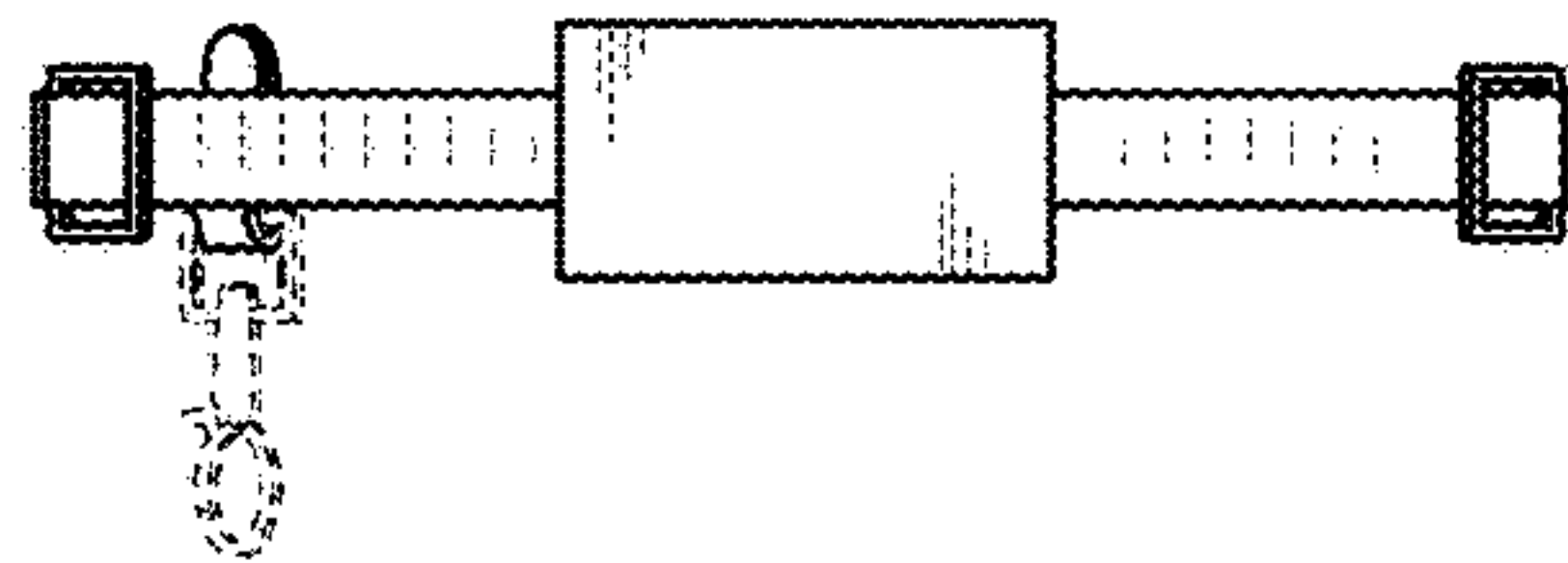


FIG. 6

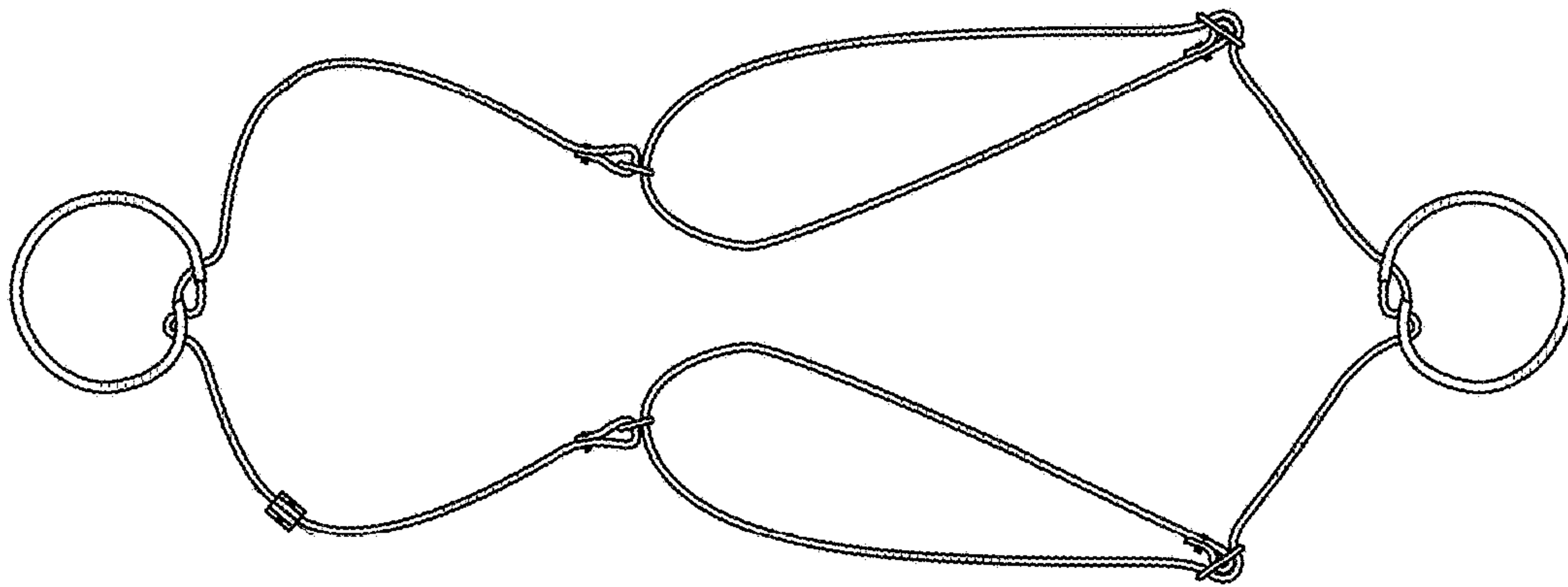


FIG. 7

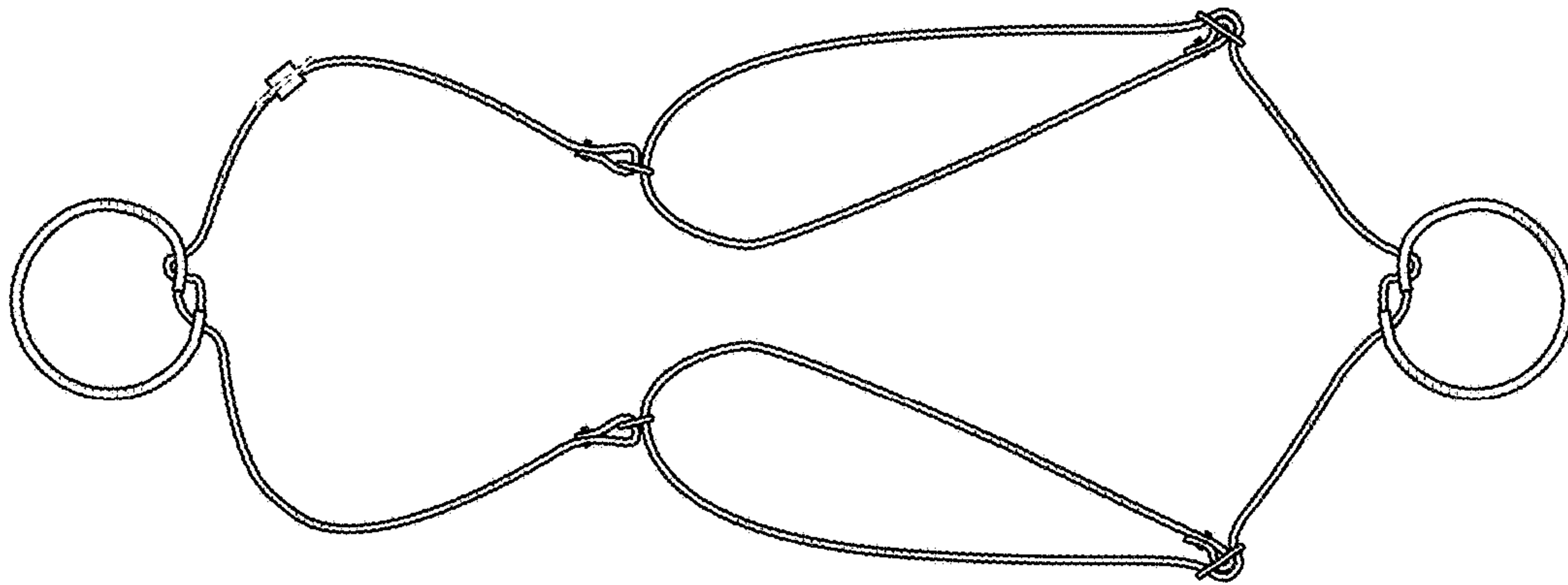


FIG. 8

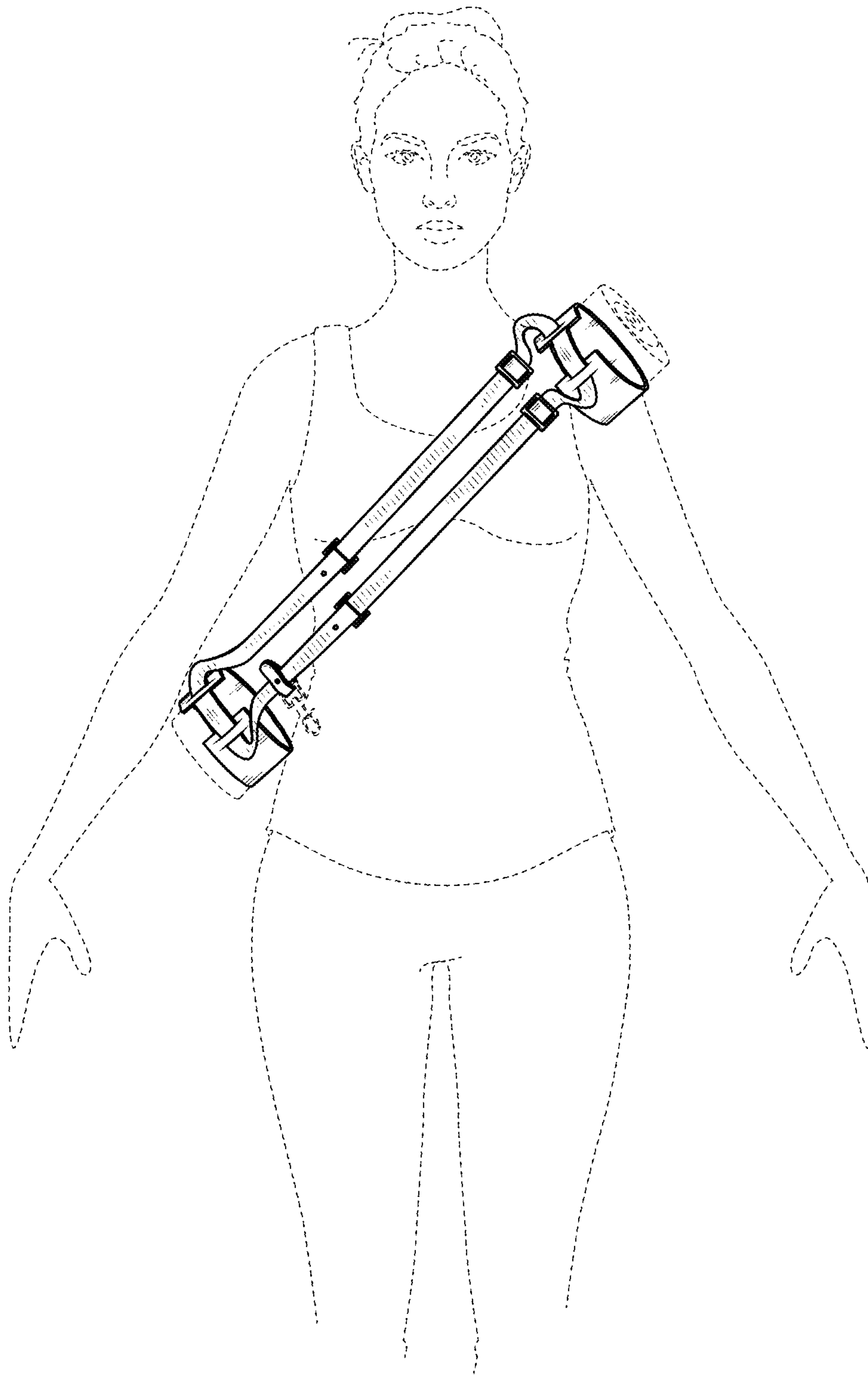


FIG. 9

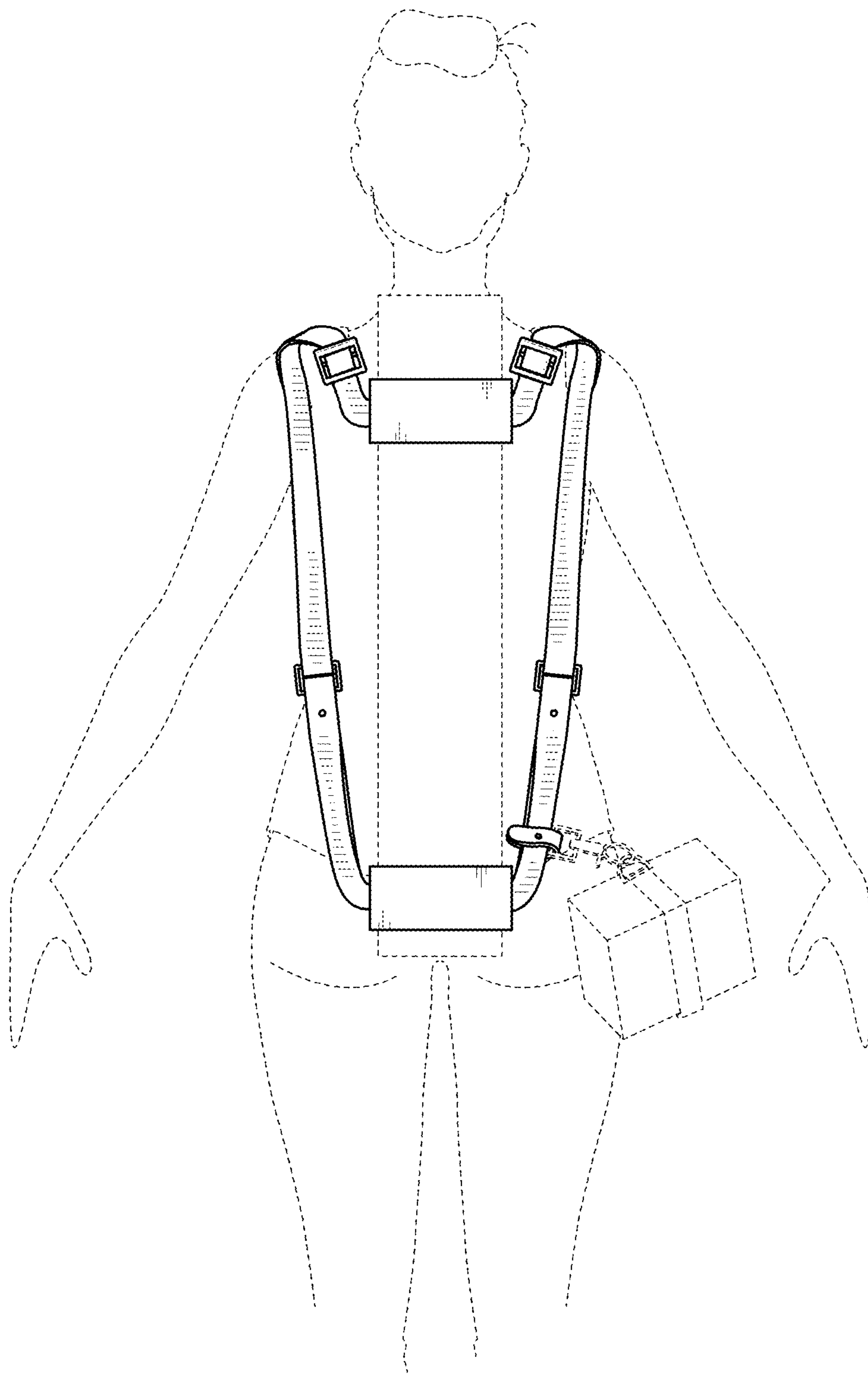


FIG. 10