



US00D784688S

(12) **United States Design Patent** (10) **Patent No.:** **US D784,688 S**  
**Mayer et al.** (45) **Date of Patent:** **\*\* Apr. 25, 2017**

- (54) **MESSENGER BAG WITH FUR**
- (71) Applicant: **American Greetings Corporation**,  
Cleveland, OH (US)
- (72) Inventors: **David Mayer**, Bay Village, OH (US);  
**Lynne Shlonsky**, Shaker Heights, OH (US)
- (73) Assignee: **American Greetings Corporation**,  
Cleveland, OH (US)
- (\*\*) Term: **15 Years**
- (21) Appl. No.: **29/557,135**
- (22) Filed: **Mar. 7, 2016**
- (51) **LOC (10) Cl.** ..... **03-01**
- (52) **U.S. Cl.**  
USPC ..... **D3/234**
- (58) **Field of Classification Search**  
USPC ..... D3/234, 238  
CPC ..... A45C 1/024; A45C 3/06  
See application file for complete search history.

D498,667 S	11/2004	Clark	
6,890,102 B2	5/2005	Clark	
7,018,100 B2	3/2006	Clark	
D522,379 S	6/2006	Clark	
7,118,276 B2	10/2006	Clark	
D578,409 S	10/2008	Clark	
D606,746 S *	12/2009	Braccialini	..... D3/238
D719,834 S	12/2014	Mayer	
D720,132 S *	12/2014	Zhou	..... D3/234
D739,252 S	9/2015	Mayer	
D740,682 S	10/2015	Mayer	
D770,807 S *	11/2016	Mayer	..... D6/601

\* cited by examiner

*Primary Examiner* — Holly Baynham

(74) *Attorney, Agent, or Firm* — Christine Flanagan

(57) **CLAIM**

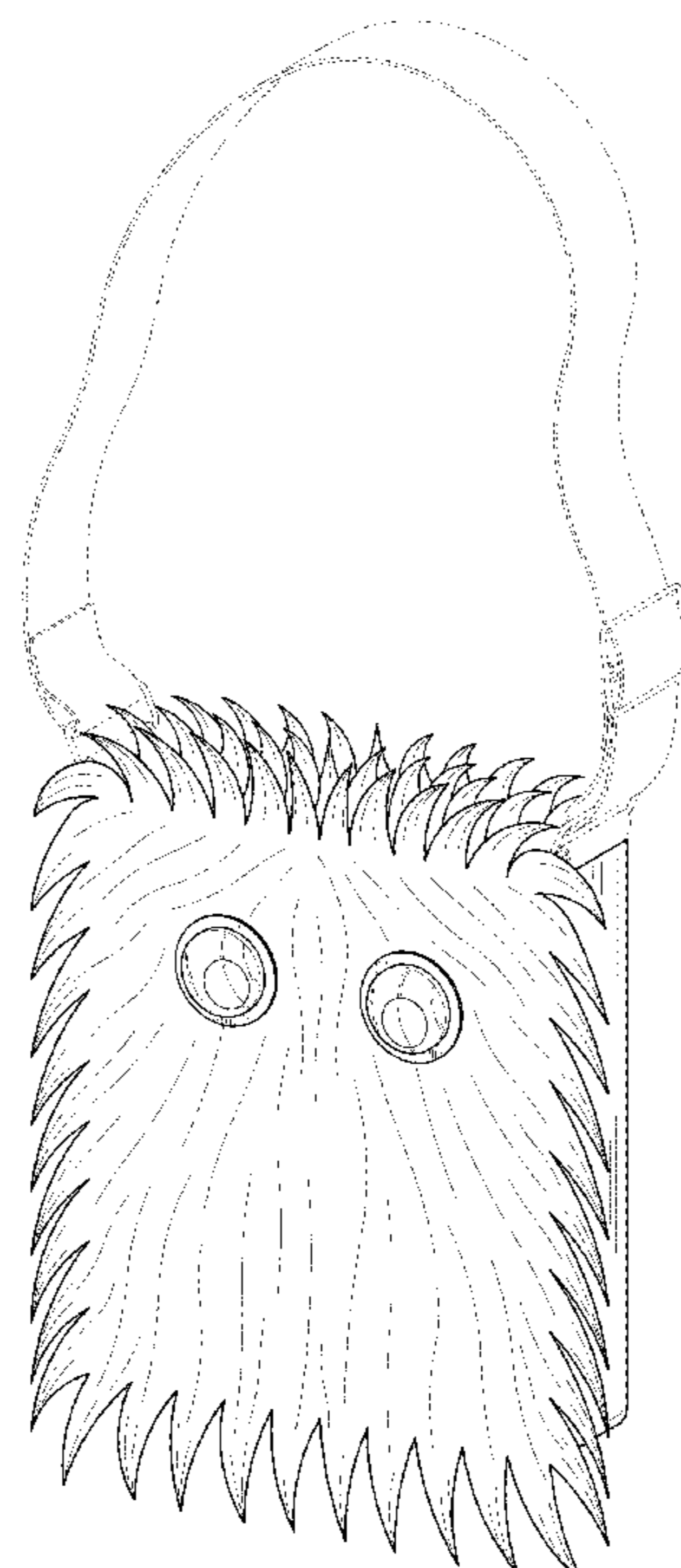
The ornamental design for a messenger bag with fur, as shown and described.

**DESCRIPTION**

FIG. 1 is perspective view of the messenger bag of the present invention.  
 FIG. 2 is a front view of the messenger bag of FIG. 1.  
 FIG. 3 is a rear view of the messenger bag of FIG. 1.  
 FIG. 4 is left side view of the messenger bag of FIG. 1.  
 FIG. 5 is a right side view of the messenger bag of FIG. 1.  
 FIG. 6 is a top down view of the messenger bag of FIG. 1; and,  
 FIG. 7 is a bottom up view of the messenger bag of FIG. 1.  
 The broken lines are for the purpose of illustrating the environment of the design only and form no part of the claimed design.

**1 Claim, 5 Drawing Sheets**

- (56) **References Cited**  
U.S. PATENT DOCUMENTS
- 2,504,551 A \* 4/1950 Levinson ..... A45C 13/08  
150/111
- 6,220,318 B1 \* 4/2001 Pinti ..... A45C 3/06  
150/103
- D485,166 S 1/2004 Clark
- D493,708 S 8/2004 Clark
- D494,058 S 8/2004 Clark
- D497,541 S 10/2004 Clark



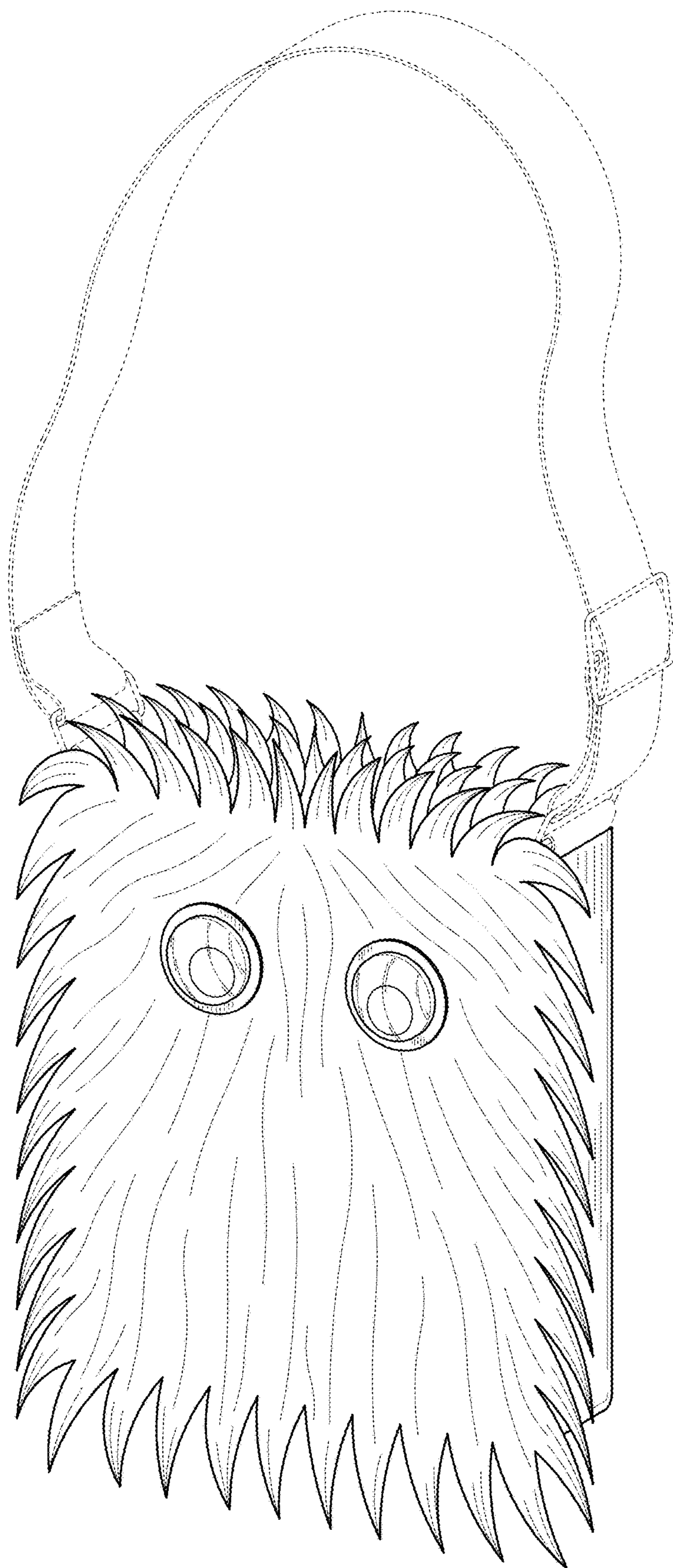


Fig. 1



Fig. 2

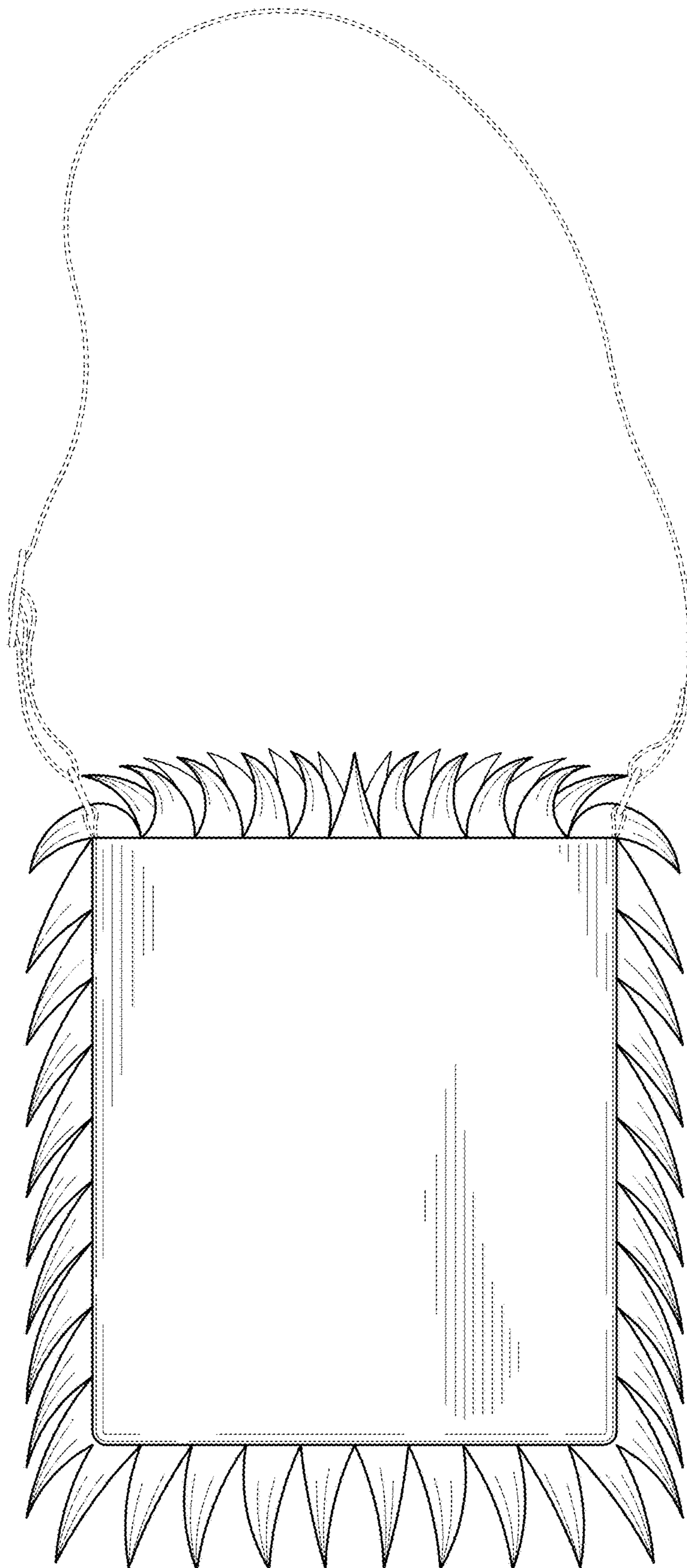
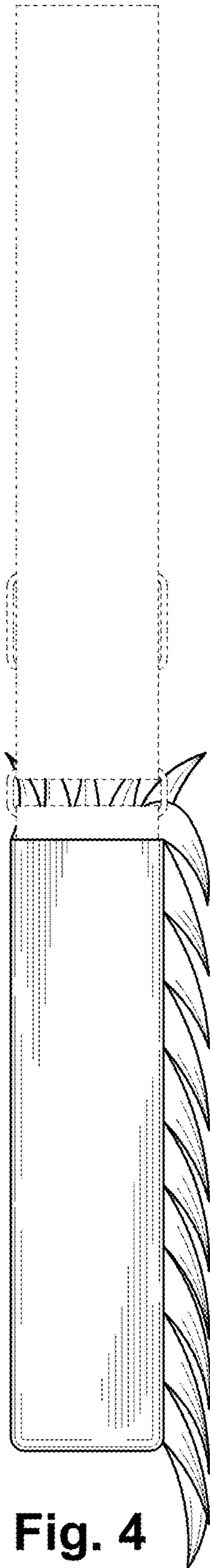
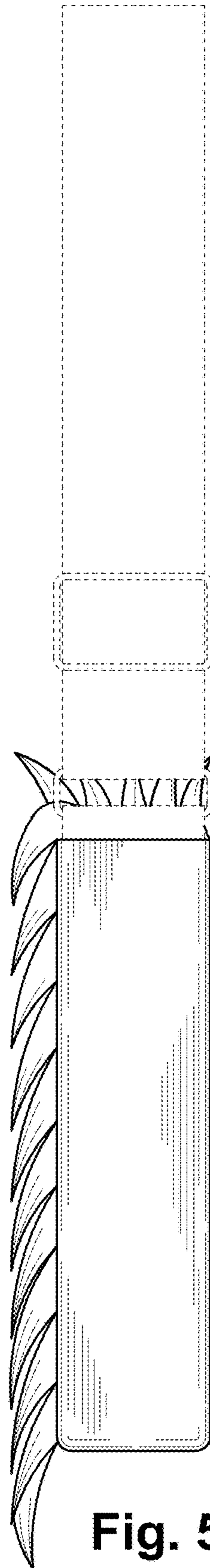


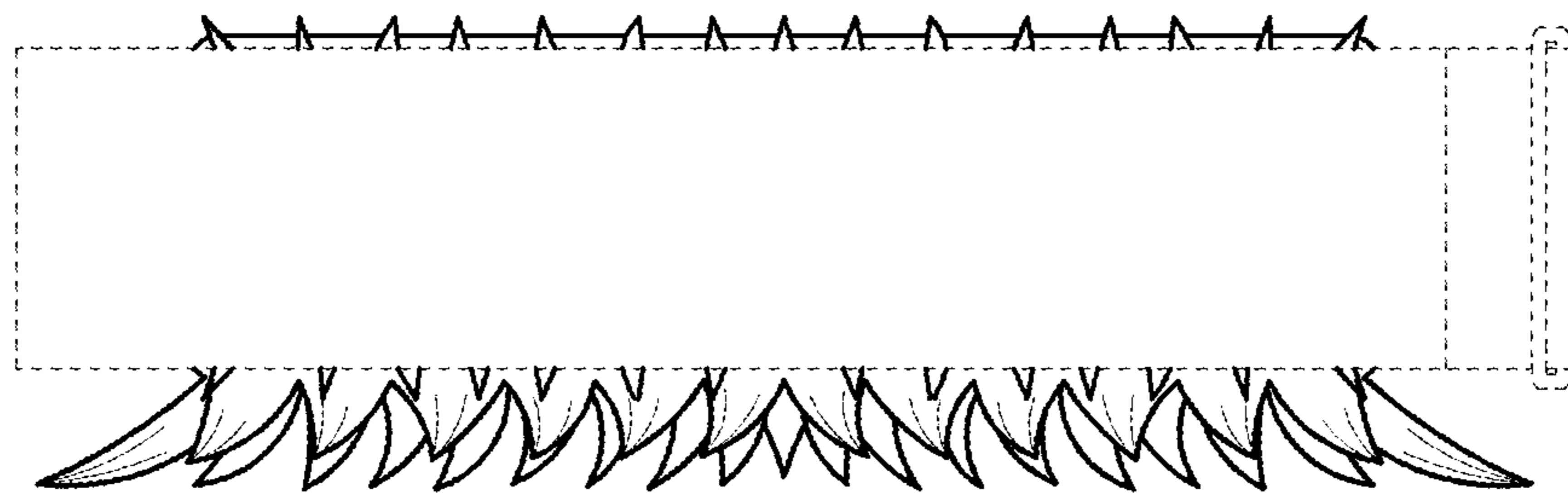
Fig. 3



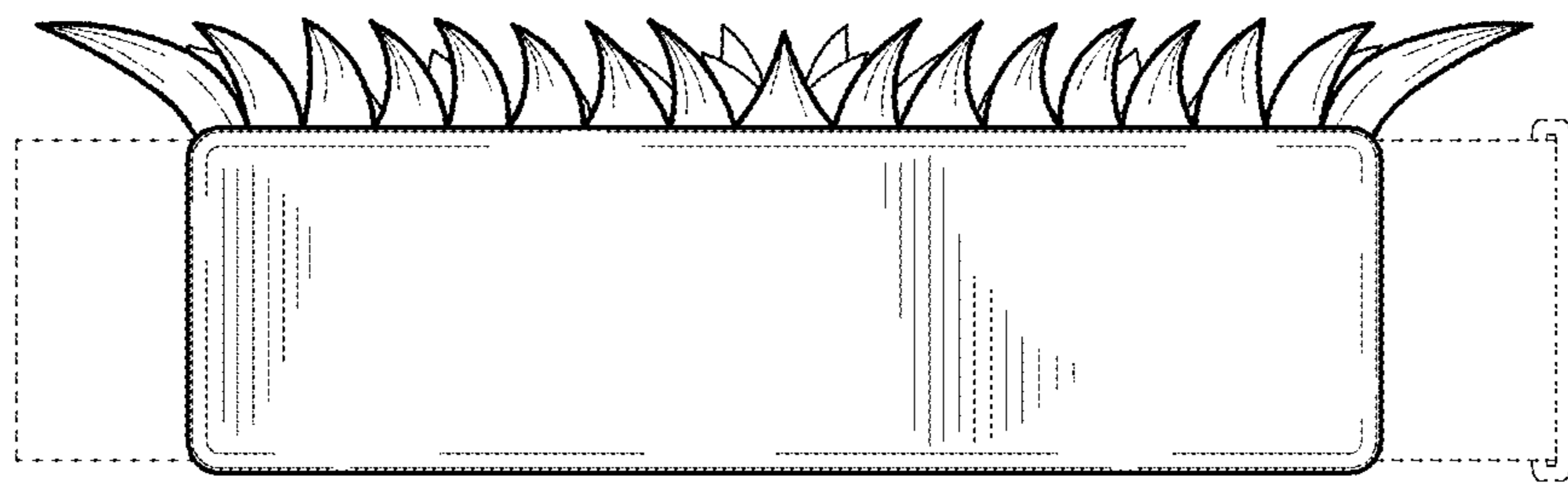
**Fig. 4**



**Fig. 5**



**Fig. 6**



**Fig. 7**