



US00D784684S

(12) **United States Design Patent**  
**Mancuso**

(10) **Patent No.:** **US D784,684 S**  
(45) **Date of Patent:** **\*\* Apr. 25, 2017**

- (54) **GOLF CLUB BACKPACK**
- (71) Applicant: **Raon Golf Supply Ltd. Co.**, South Burlington, VT (US)
- (72) Inventor: **Nicholas Charles Mancuso**, South Burlington, VT (US)
- (73) Assignee: **Raon Golf Supply Ltd., Co.**, South Burlington, VT (US)

(\*\*) Term: **15 Years**

(21) Appl. No.: **29/529,786**

(22) Filed: **Jun. 10, 2015**

(51) **LOC (10) Cl.** ..... **03-01**

(52) **U.S. Cl.**  
USPC ..... **D3/216**

(58) **Field of Classification Search**  
USPC ..... D3/201, 213-219, 221, 224, 225, 229, D3/230, 232, 243-246, 254, 318, 255  
CPC ..... A45F 3/04; A45F 4/02; A45F 2200/0525; A45F 2003/045; A45F 3/047; A45C 11/00; A45C 13/30; A45C 2011/002; A45C 2011/003; A45C 2011/001; A45C 15/00; A63B 55/408; A63B 55/00; A63B 2102/32

See application file for complete search history.

(56) **References Cited**

**U.S. PATENT DOCUMENTS**

- D362,752 S \* 10/1995 Steurer ..... 224/627
- D364,737 S \* 12/1995 Perrin ..... D3/255
- D367,556 S \* 3/1996 Perrin ..... D3/255
- D387,556 S \* 12/1997 Beebe ..... 224/645
- D453,875 S \* 2/2002 Schmitt, Jr. .... D3/255

- D576,794 S \* 9/2008 Yoshida ..... D3/255
- D635,764 S \* 4/2011 Kallas ..... D3/254
- D646,055 S \* 10/2011 Dylina ..... D3/255
- D653,032 S \* 1/2012 Myers ..... D3/255
- D666,813 S \* 9/2012 Brundl ..... D3/255
- 2003/0029751 A1\* 2/2003 Boardman ..... A45C 5/14  
206/315.4
- 2008/0264814 A1\* 10/2008 Campbell ..... A63B 55/00  
206/315.5
- 2013/0043153 A1\* 2/2013 Loudenslager ..... B22D 17/00  
206/315.6

\* cited by examiner

*Primary Examiner* — George D Kirschbaum

*Assistant Examiner* — Jennifer Watkins

(74) *Attorney, Agent, or Firm* — Downs Rachlin Martin PLLC

(57) **CLAIM**

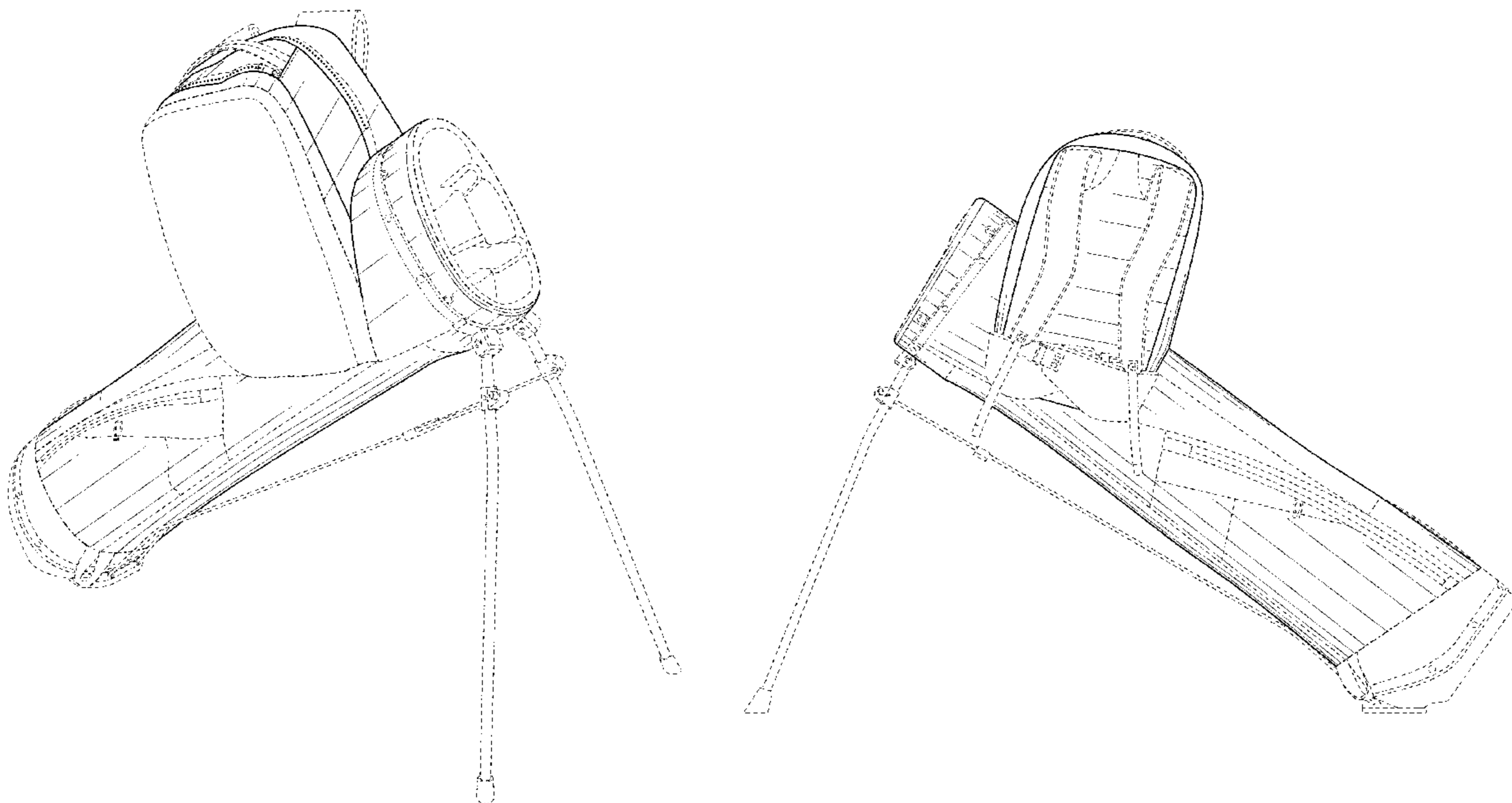
The ornamental design for a golf club backpack, as shown and described.

**DESCRIPTION**

FIG. 1 is a perspective view of a golf club backpack showing my new design;  
FIG. 2 is a side view thereof;  
FIG. 3 is a second side view thereof;  
FIG. 4 is a front view thereof;  
FIG. 5 is a rear view thereof;  
FIG. 6 is a top view thereof; and,  
FIG. 7 is a bottom view thereof.

The evenly dashed broken lines illustrate portions of the article and stitching and form no part of the claim. The dash dot dash lines define the bounds of the claim and form no part thereof.

**1 Claim, 6 Drawing Sheets**



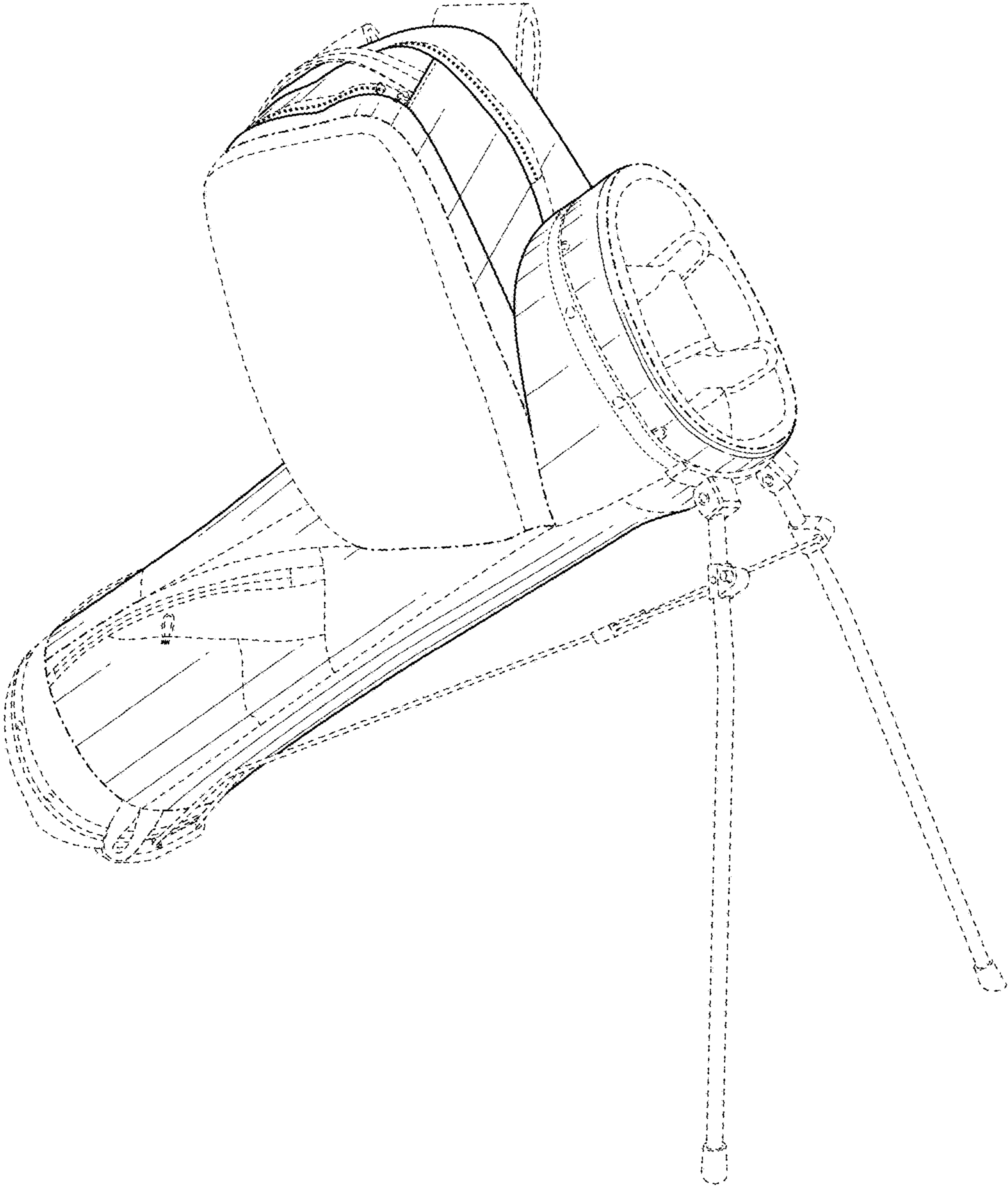


FIG. 1

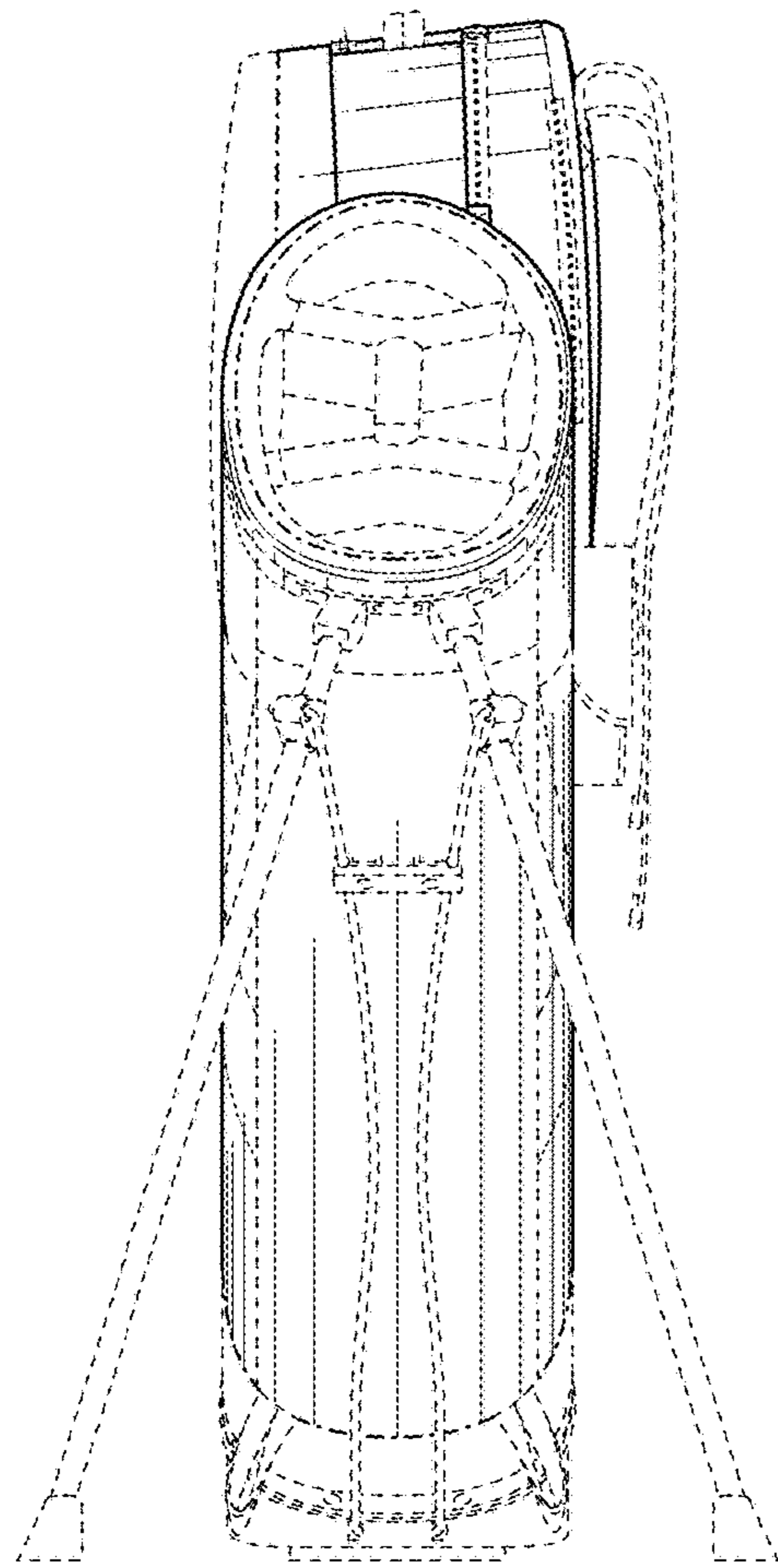


FIG. 2

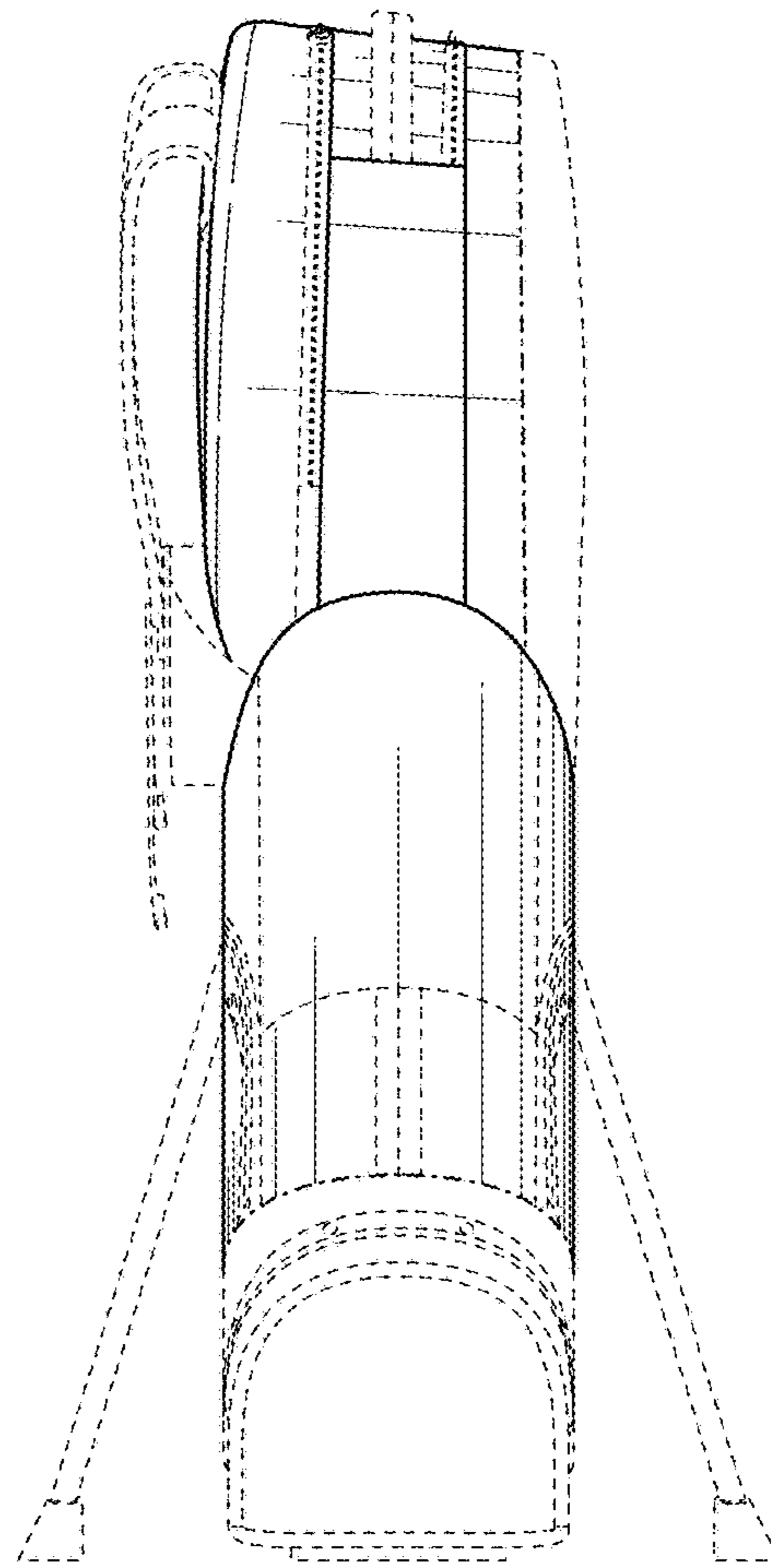


FIG. 3



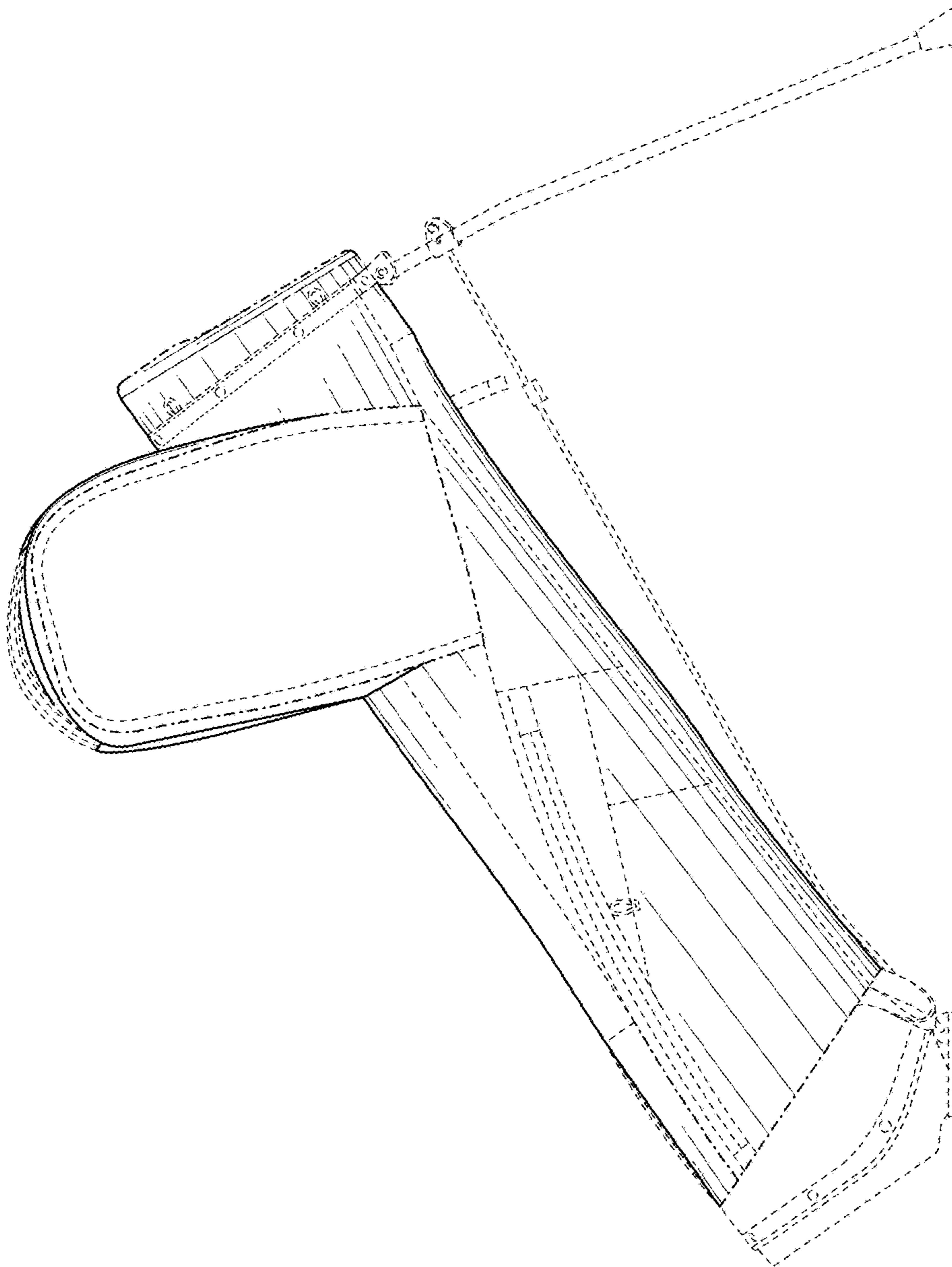


FIG. 4

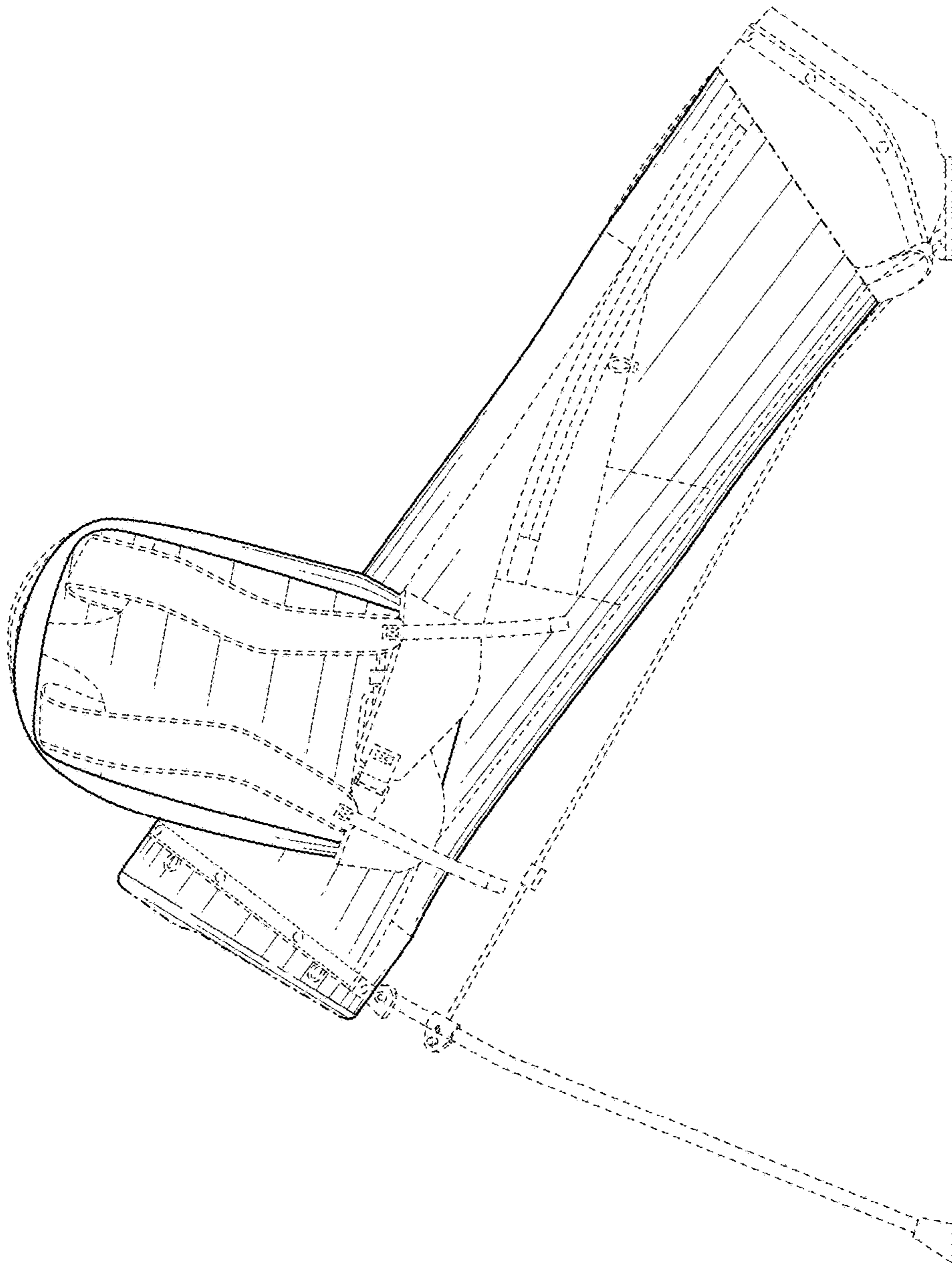


FIG. 5

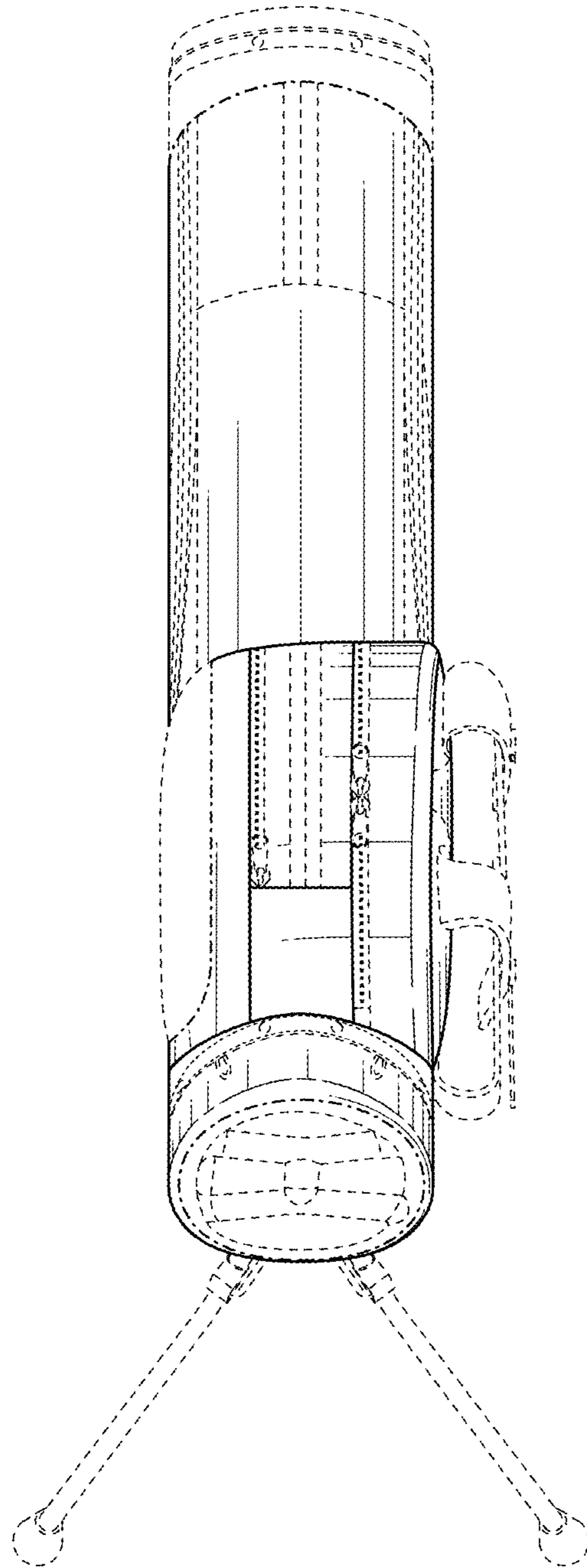


FIG. 6

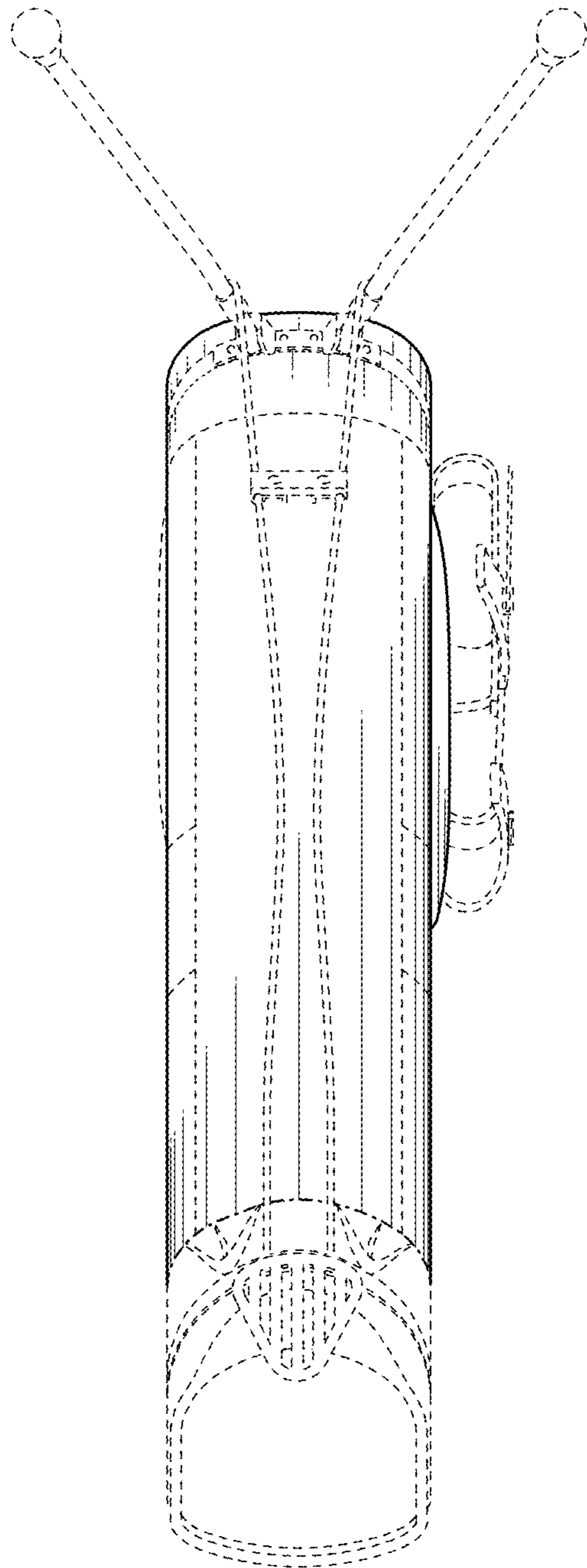


FIG. 7