



US00D784683S

(12) **United States Design Patent**
Stewart

(10) **Patent No.:** **US D784,683 S**

(45) **Date of Patent:** **** Apr. 25, 2017**

(54) **WEARABLE ELECTRONIC DEVICE CASE**

(71) Applicant: **Griffin Technology, LLC**, Irvine, CA (US)

(72) Inventor: **Brittany L. Stewart**, Nashville, TN (US)

(73) Assignee: **Griffin Technology, LLC**, Irvine, CA (US)

(**) Term: **14 Years**

(21) Appl. No.: **29/518,818**

(22) Filed: **Feb. 27, 2015**

(51) **LOC (10) Cl.** **03-01**

(52) **U.S. Cl.**

USPC **D3/215; D3/218**

(58) **Field of Classification Search**

USPC D3/218, 215; 224/219, 165, 170, 176, 224/221, 235, 222, 267, 269, 901.4, 224/901.6, 930, 667, 678; 206/305, 320; 379/446, 449, 454-455; 455/575.1-575.8
CPC A45F 5/00; A45F 2005/008; A45F 2200/0516; G08B 3/1058

See application file for complete search history.

(56) **References Cited**

U.S. PATENT DOCUMENTS

D663,790 S * 7/2012 Williams D21/606
D685,570 S * 7/2013 Ito D3/218
D706,531 S * 6/2014 Park D3/215
D707,041 S * 6/2014 Park D3/215

OTHER PUBLICATIONS

Shapeways.com, TomBot Pocket Clip for Fitbit Flex, last updated Apr. 27, 2016, date of printing Sep. 15, 2016.*

* cited by examiner

Primary Examiner — Catheri Oliver-Garcia

(74) *Attorney, Agent, or Firm* — Manatt, Phelps & Phillips, LLP

(57) **CLAIM**

The ornamental design for a wearable electronic device case, as shown and described.

DESCRIPTION

FIG. 1 is an isometric top view of the new design for a wearable electronic device case;

FIG. 2 is a front view of the wearable electronic device case;

FIG. 3 is a right side view of the wearable electronic device case, with the left side view being a mirror image;

FIG. 4 is a rear view of the wearable electronic device case;

FIG. 5 is a top view of the wearable electronic device case;

FIG. 6 is a bottom view of the wearable electronic device case;

FIG. 7 is an isometric top view of the new design for a wearable electronic device case with the clip unbent;

FIG. 8 is a bottom isometric view of the wearable electronic device case with the clip unbent;

FIG. 9 is a front view of the wearable electronic device case with the clip unbent;

FIG. 10 is a right side view of the wearable electronic device case, with the left side view being a mirror image with the clip unbent;

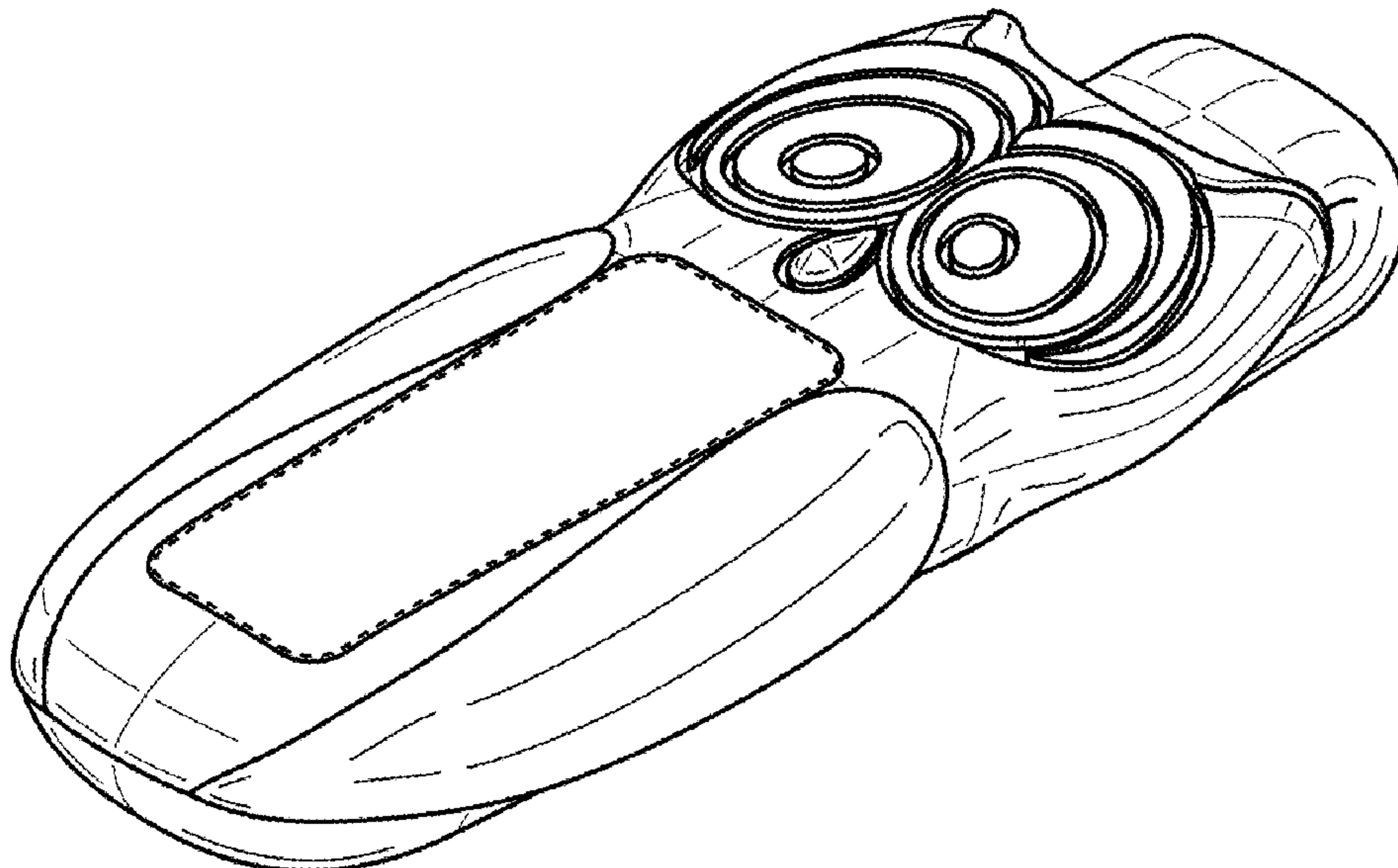
FIG. 11 is a rear view of the wearable electronic device case with the clip unbent;

FIG. 12 is a top view of the wearable electronic device case with the clip unbent; and,

FIG. 13 is a bottom view of the wearable electronic device case with the clip unbent.

The broken lines depict environment and are for illustrative purposes only and form no part of the claimed design.

1 Claim, 5 Drawing Sheets



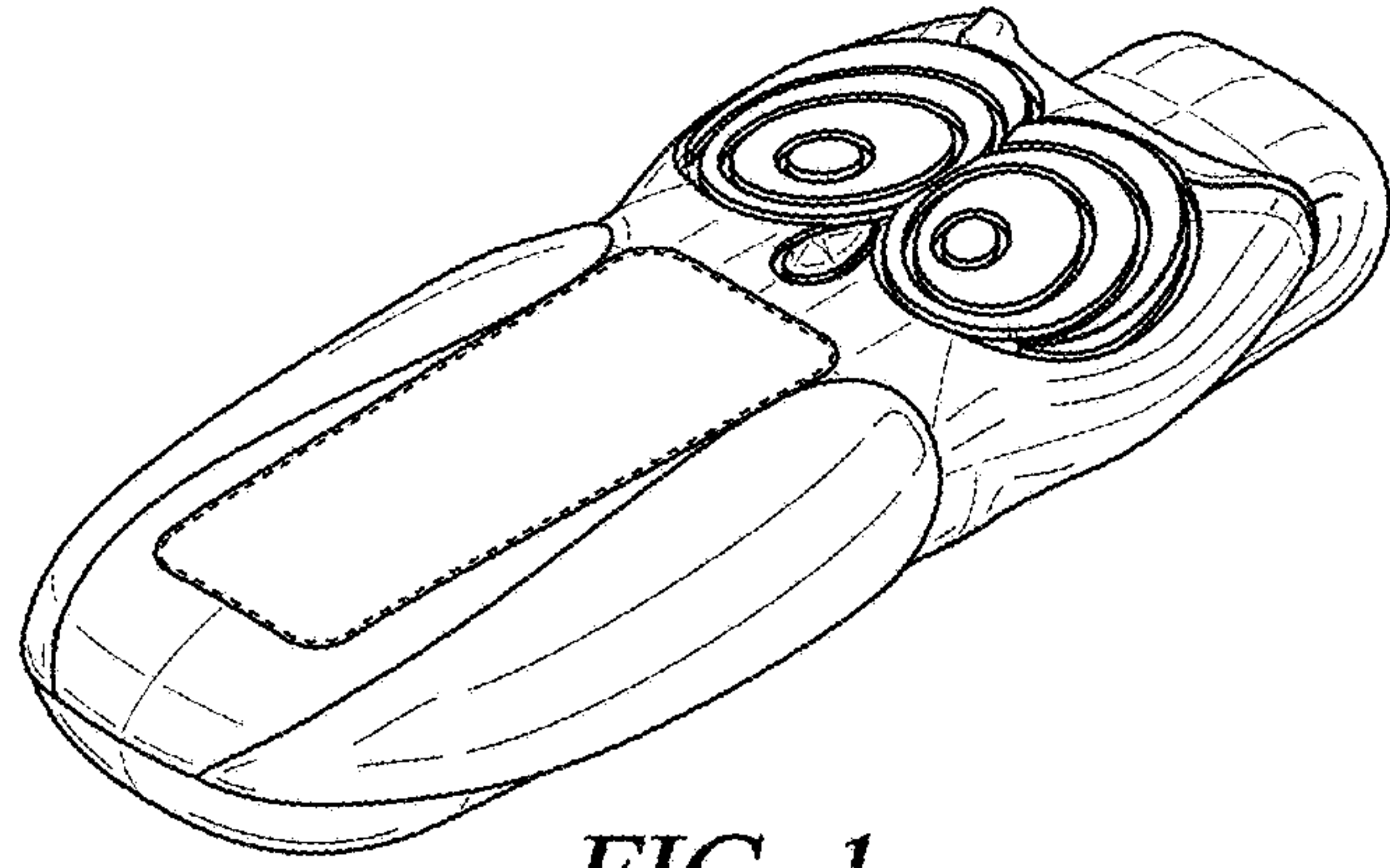


FIG. 1

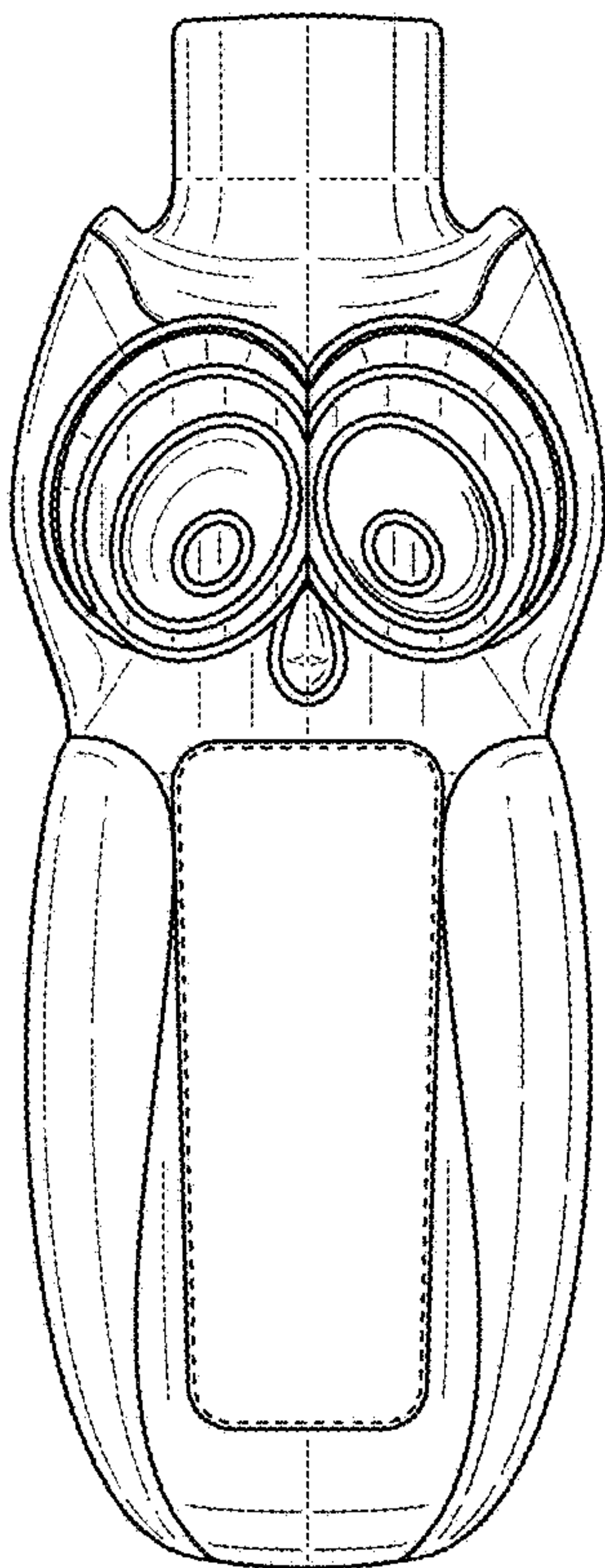


FIG. 2

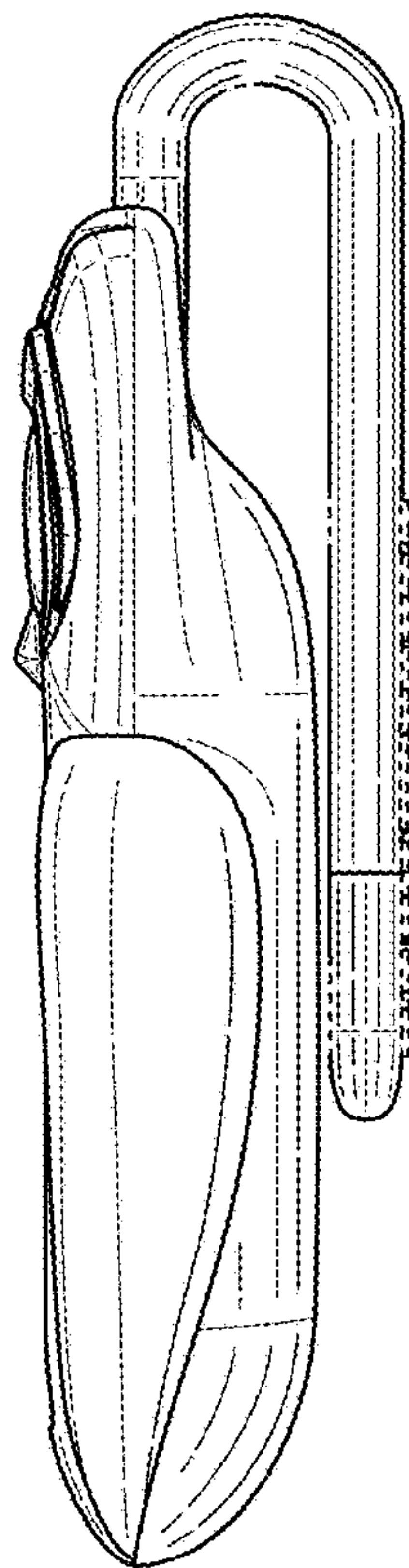


FIG. 3

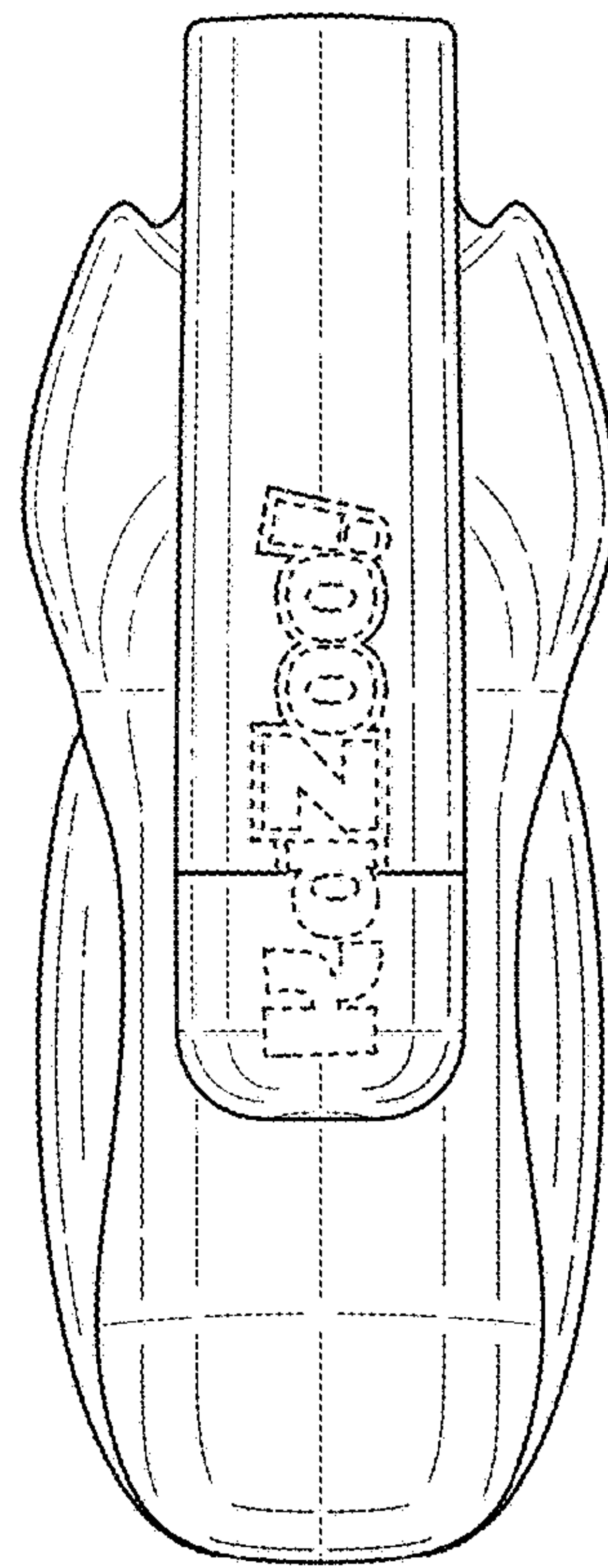


FIG. 4

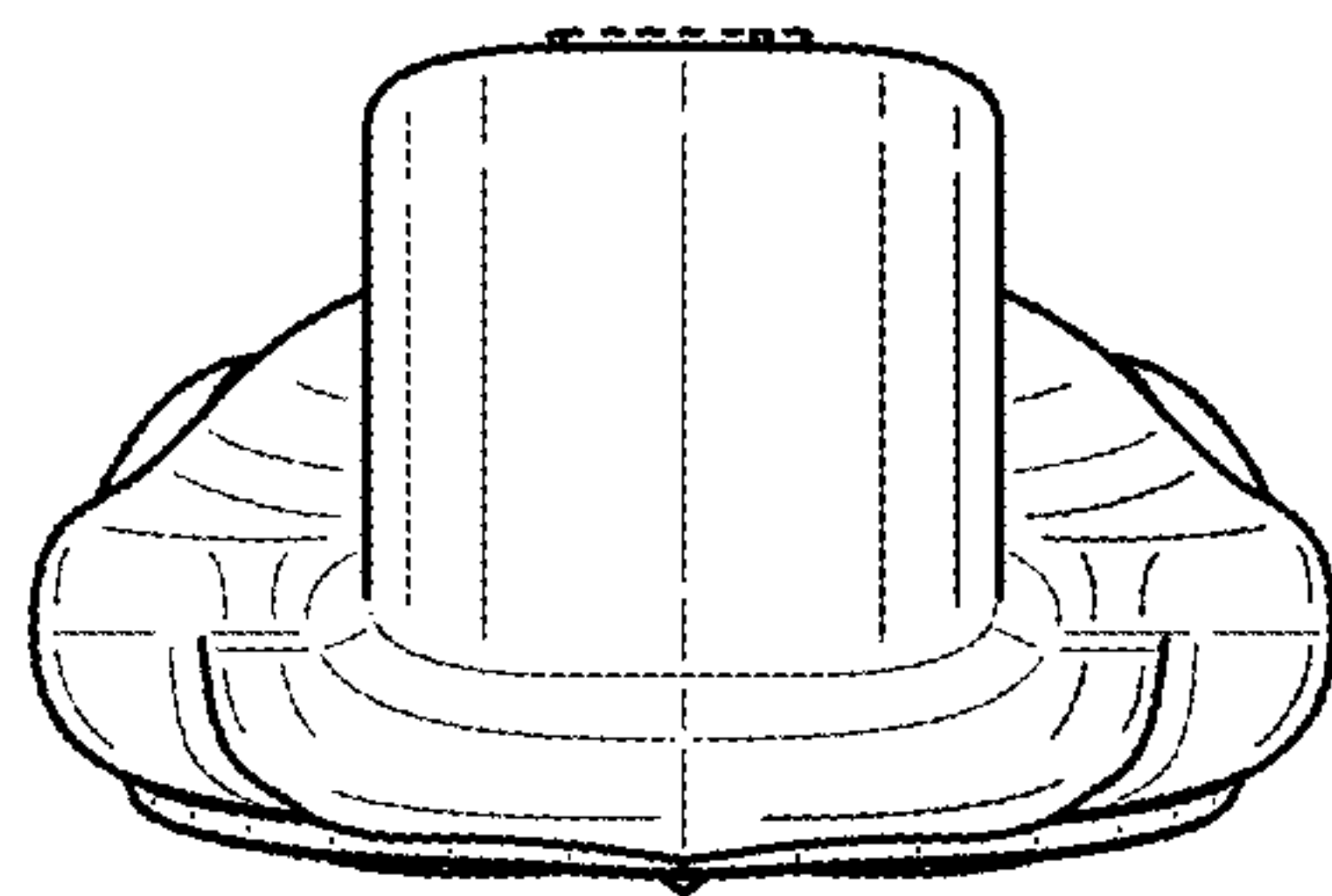


FIG. 5

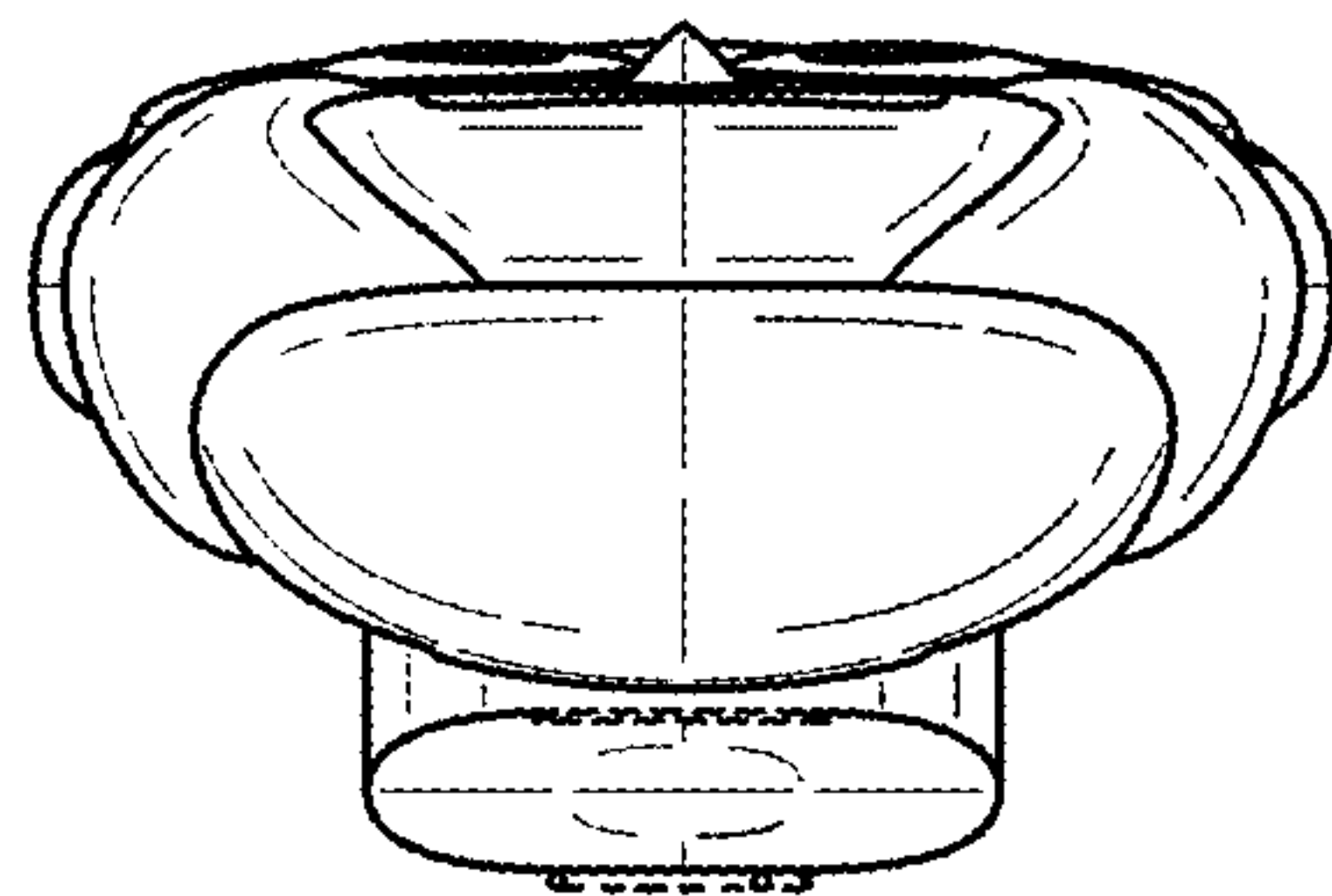


FIG. 6

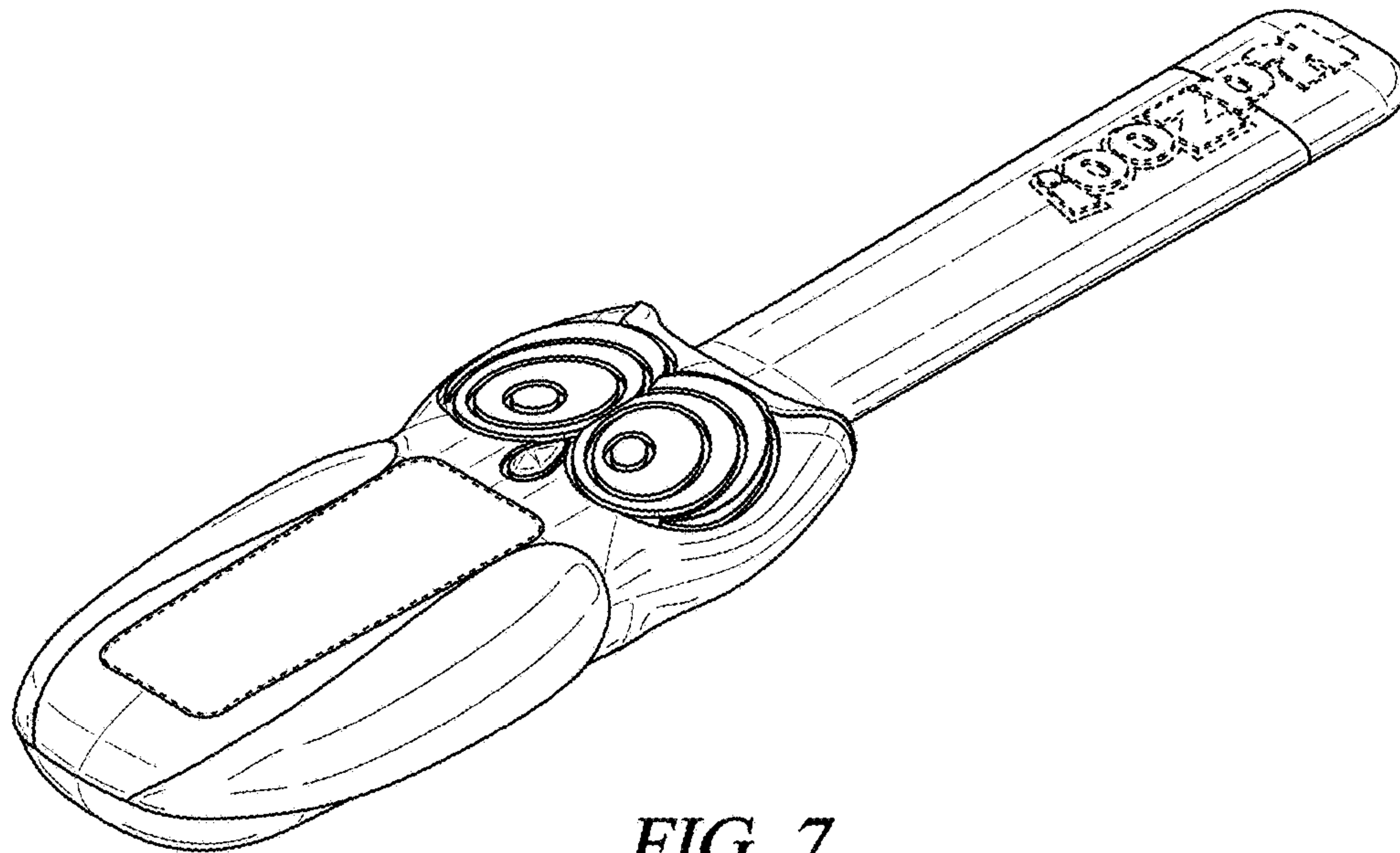


FIG. 7

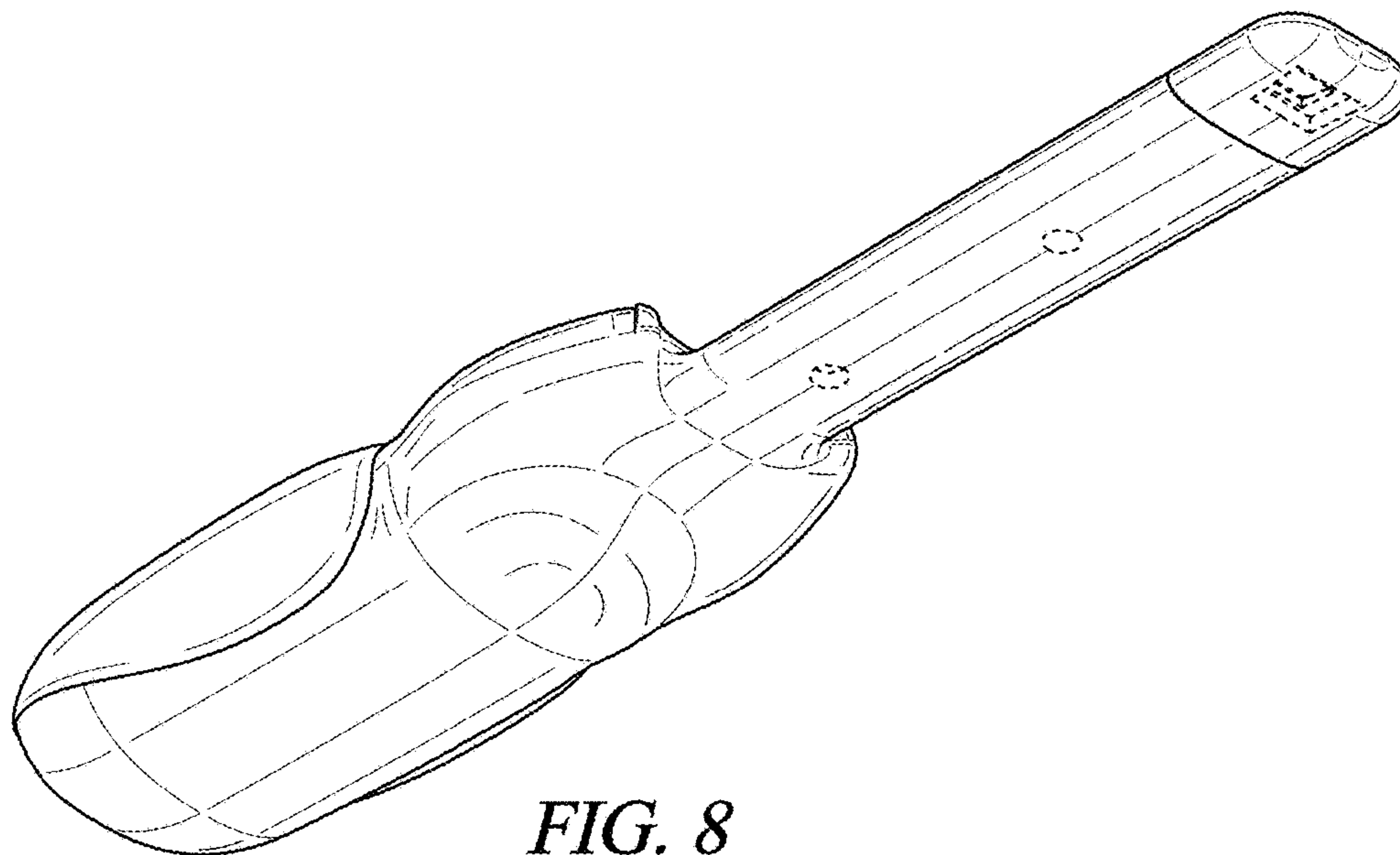


FIG. 8

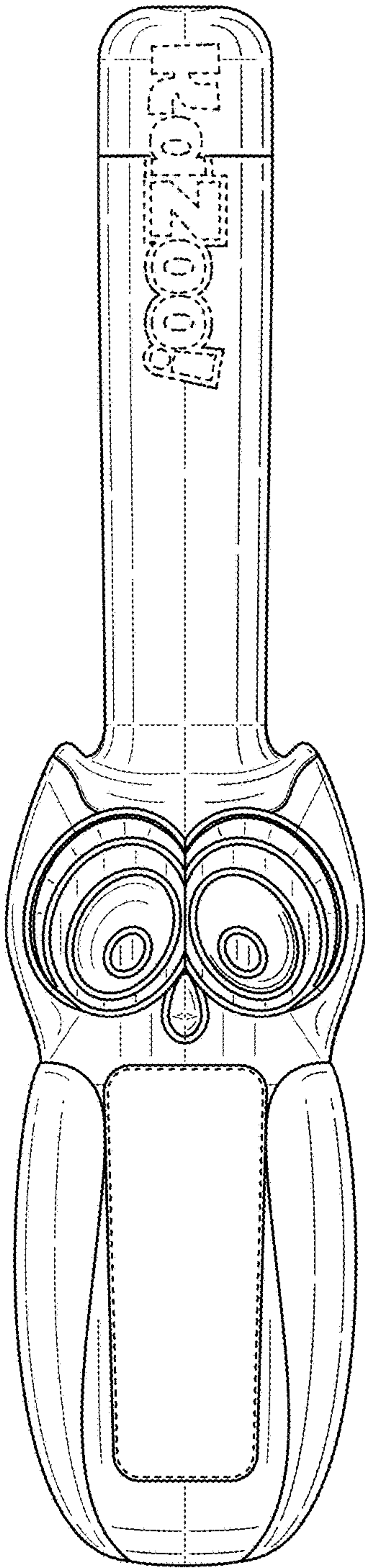


FIG. 9

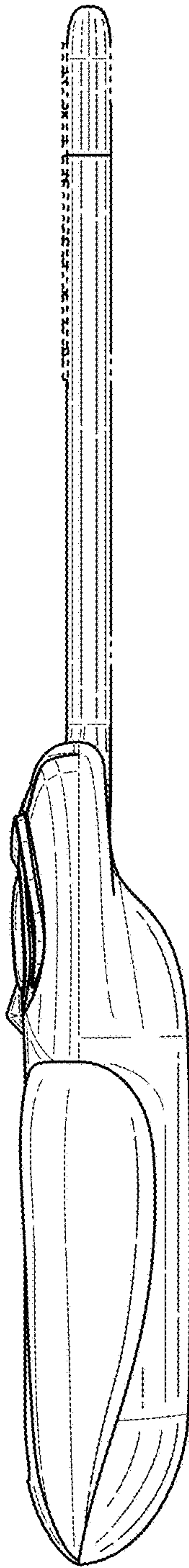


FIG. 10

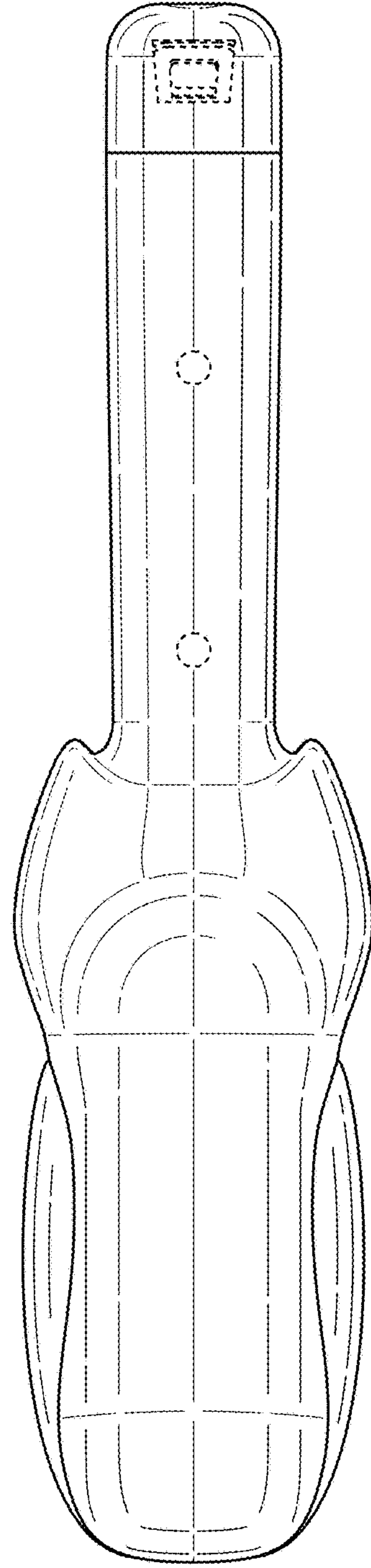


FIG. 11

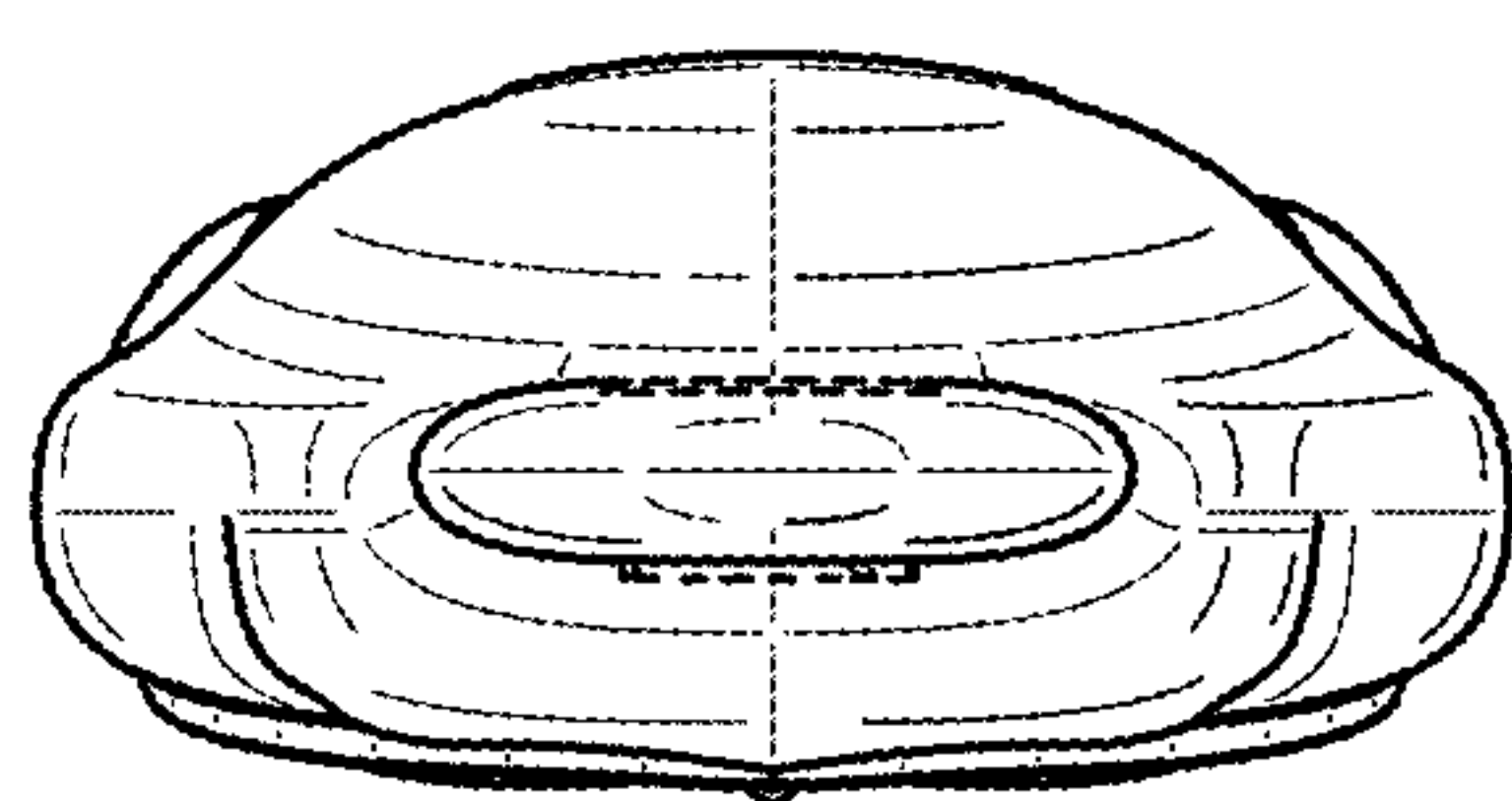


FIG. 12

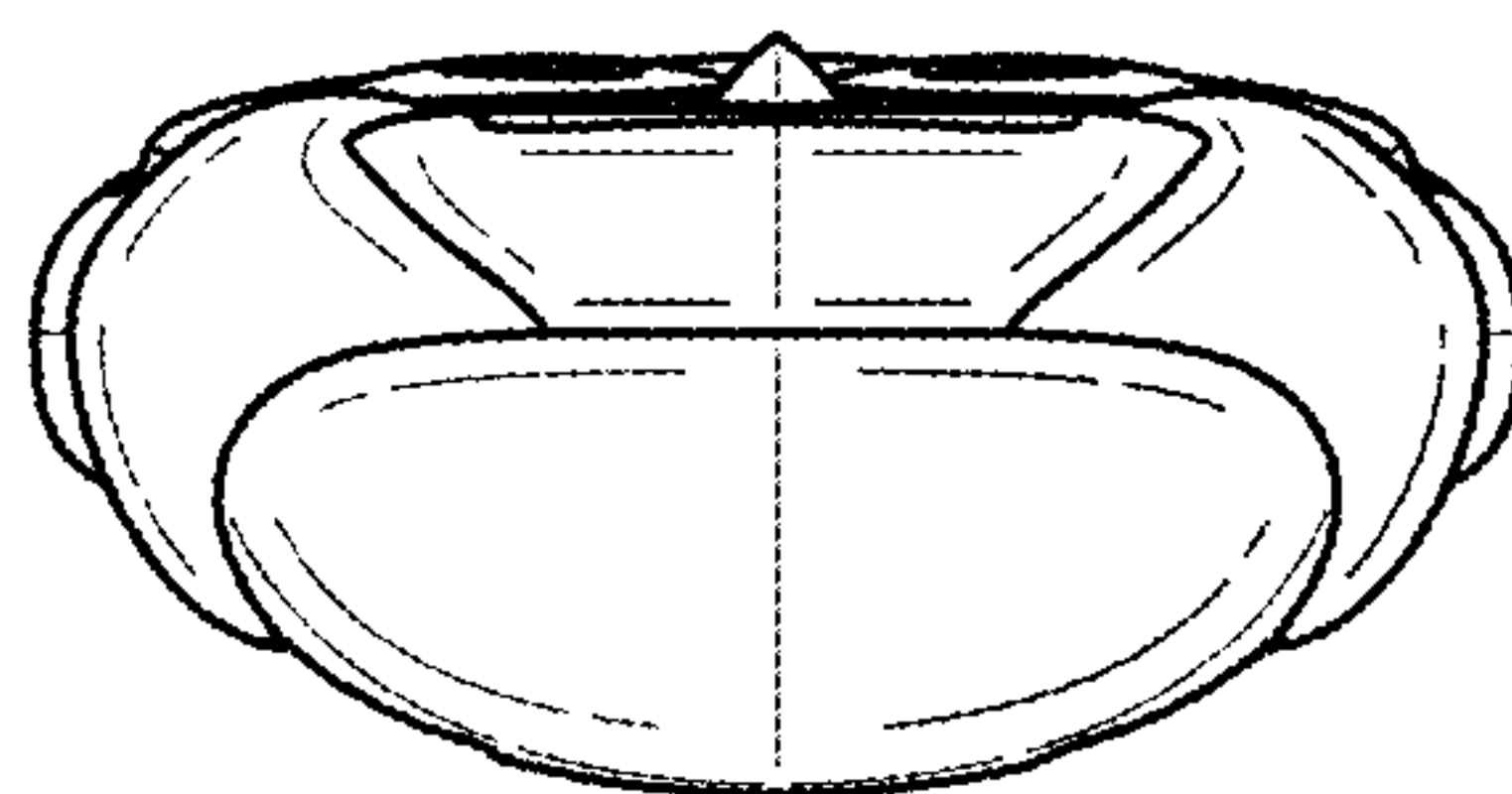


FIG. 13