



US00D784682S

(12) **United States Design Patent** (10) **Patent No.:** **US D784,682 S**
Ormsbee et al. (45) **Date of Patent:** **** Apr. 25, 2017**

(54) **KEY RING**

(56) **References Cited**

(71) Applicant: **Nite Ize, Inc.**, Boulder, CO (US)

U.S. PATENT DOCUMENTS

(72) Inventors: **Bowden Ormsbee**, Longmont, CO
(US); **Robin Liang**, Yangjiang (CN)

D639,046 S * 6/2011 Ormsbee D3/207
D695,590 S * 12/2013 Poillot D8/343
D724,601 S * 3/2015 Hsieh D14/480.3
D729,513 S * 5/2015 Jiang D3/207
D765,493 S * 9/2016 Spater D8/356
9,528,543 B2 * 12/2016 Hsieh F16B 45/02

(73) Assignee: **Nite Ize, Inc.**, Boulder, CO (US)

* cited by examiner

(**) Term: **15 Years**

Primary Examiner — Ralf Seifert

(21) Appl. No.: **29/550,513**

(74) *Attorney, Agent, or Firm* — Haynes and Boone, LLP

(22) Filed: **Jan. 5, 2016**

(57) **CLAIM**

(51) **LOC (10) Cl.** **03-01**

The ornamental design for a key ring, as shown and described.

(52) **U.S. Cl.**

DESCRIPTION

USPC **D3/207**; D18/356

(58) **Field of Classification Search**

USPC D8/356, 367, 16, 38, 347, 348;
63/26–28, 32; D3/207–212; 70/456 B,
70/457, 458, 456 R; 206/37.1, 37;
D14/434, 435, 435.1, 436, 439, 480.3,
D14/480.1, 480.5, 480.7; D24/174, 173,
D24/480.3

FIG. 1 is a right perspective view of the key ring;
FIG. 2 is a left perspective view of the key ring of FIG. 1;
FIG. 3 is a right side view of the key ring of FIG. 1;
FIG. 4 is a left side view of the key ring of FIG. 1;
FIG. 5 is a front view of the key ring of FIG. 1;
FIG. 6 is a back view of the key ring of FIG. 1;
FIG. 7 is a top view of the key ring of FIG. 1; and,
FIG. 8 is a bottom view of the key ring of FIG. 1.

CPC A45C 11/32; A47G 29/10; A44B 15/00;
F16B 45/00; F16B 45/06; F16B 45/02

See application file for complete search history.

1 Claim, 6 Drawing Sheets

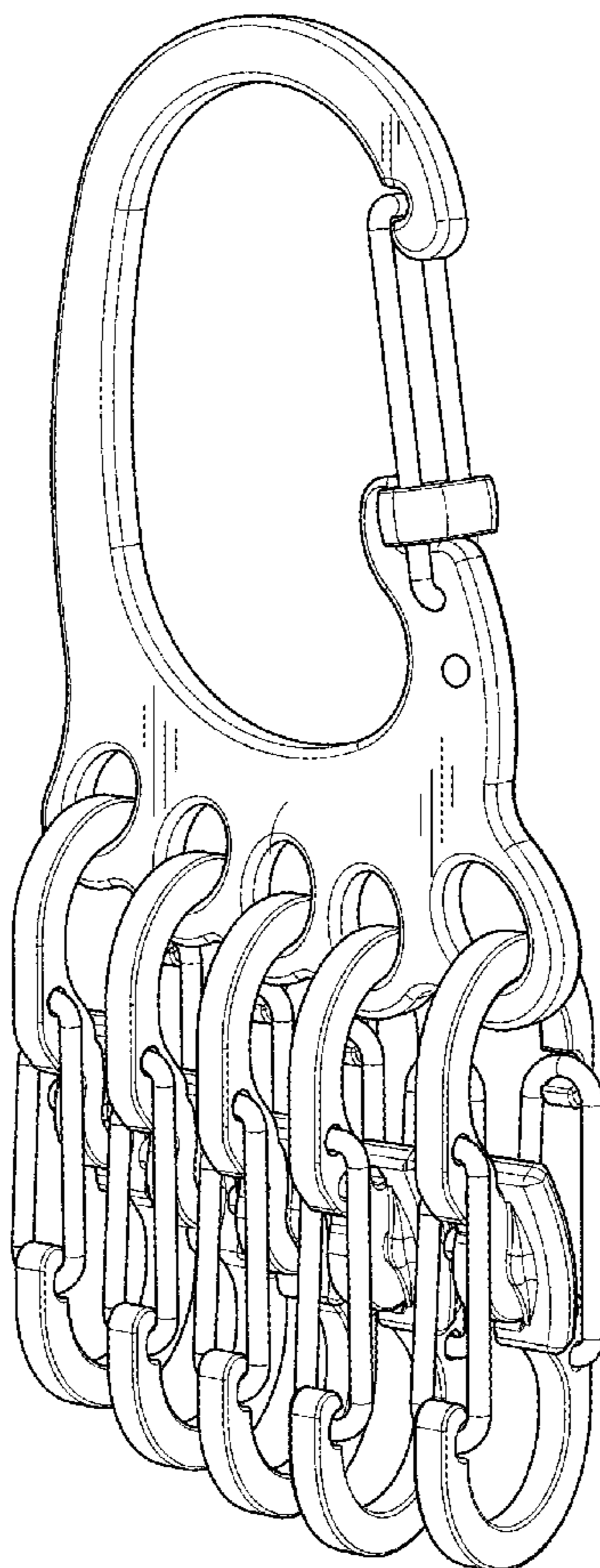


FIG. 1

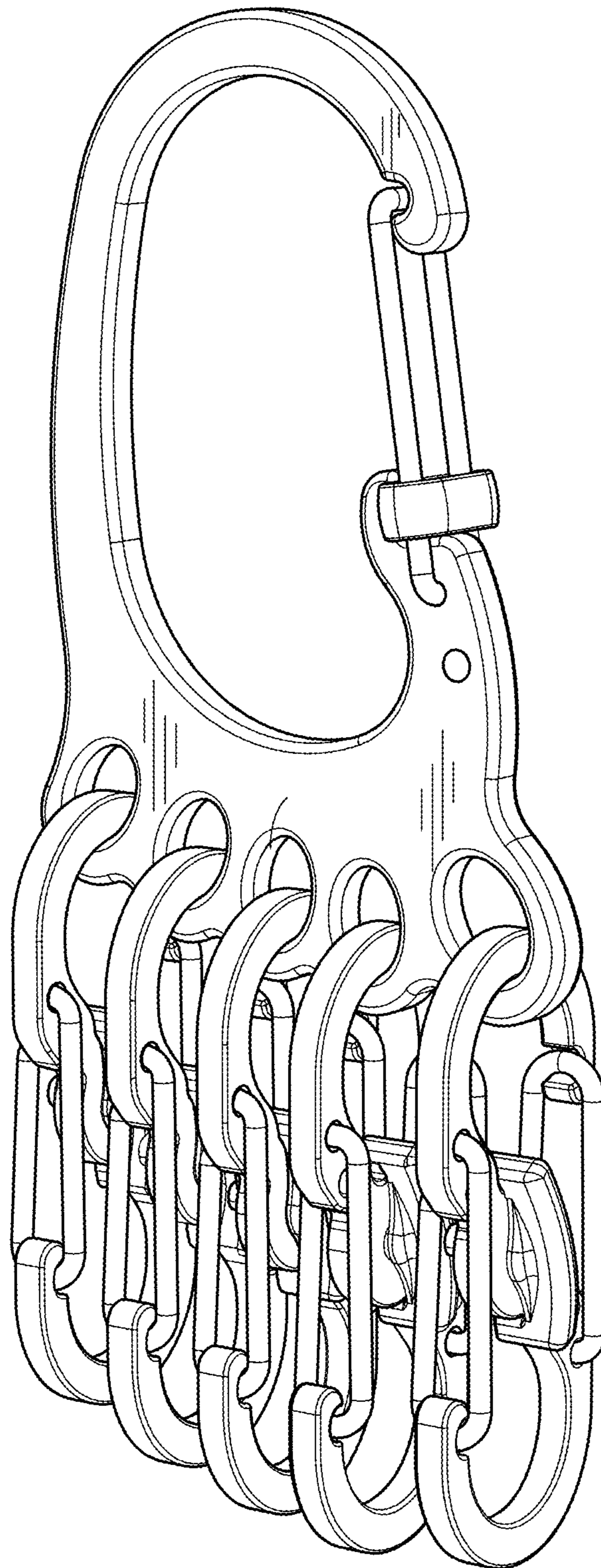


FIG. 2

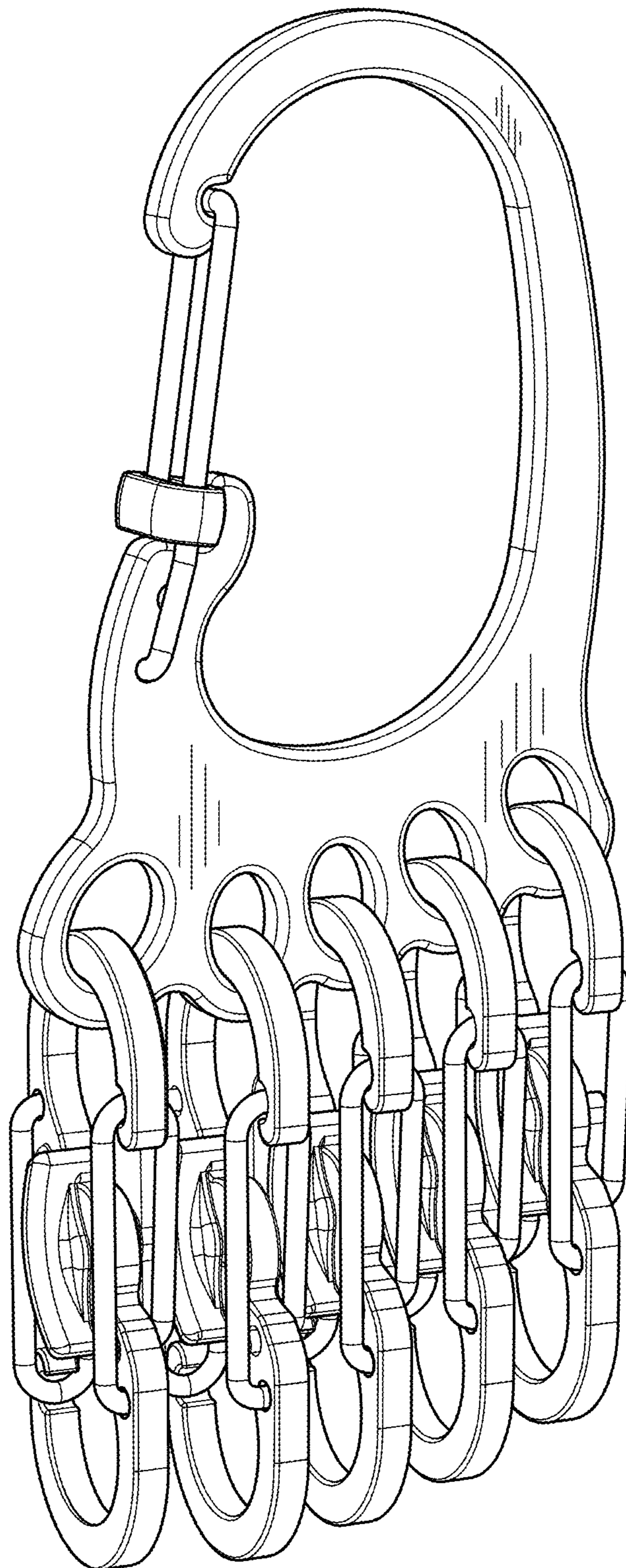


FIG. 3

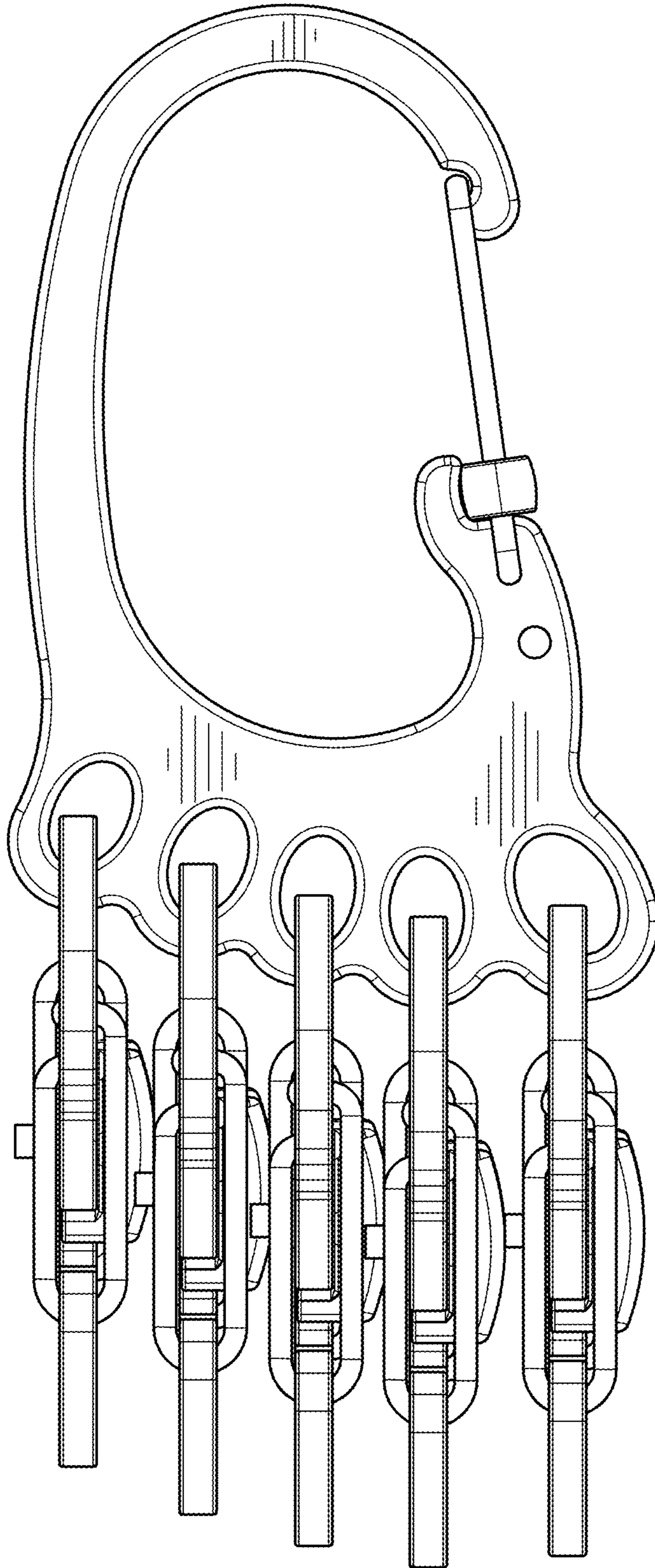


FIG. 4

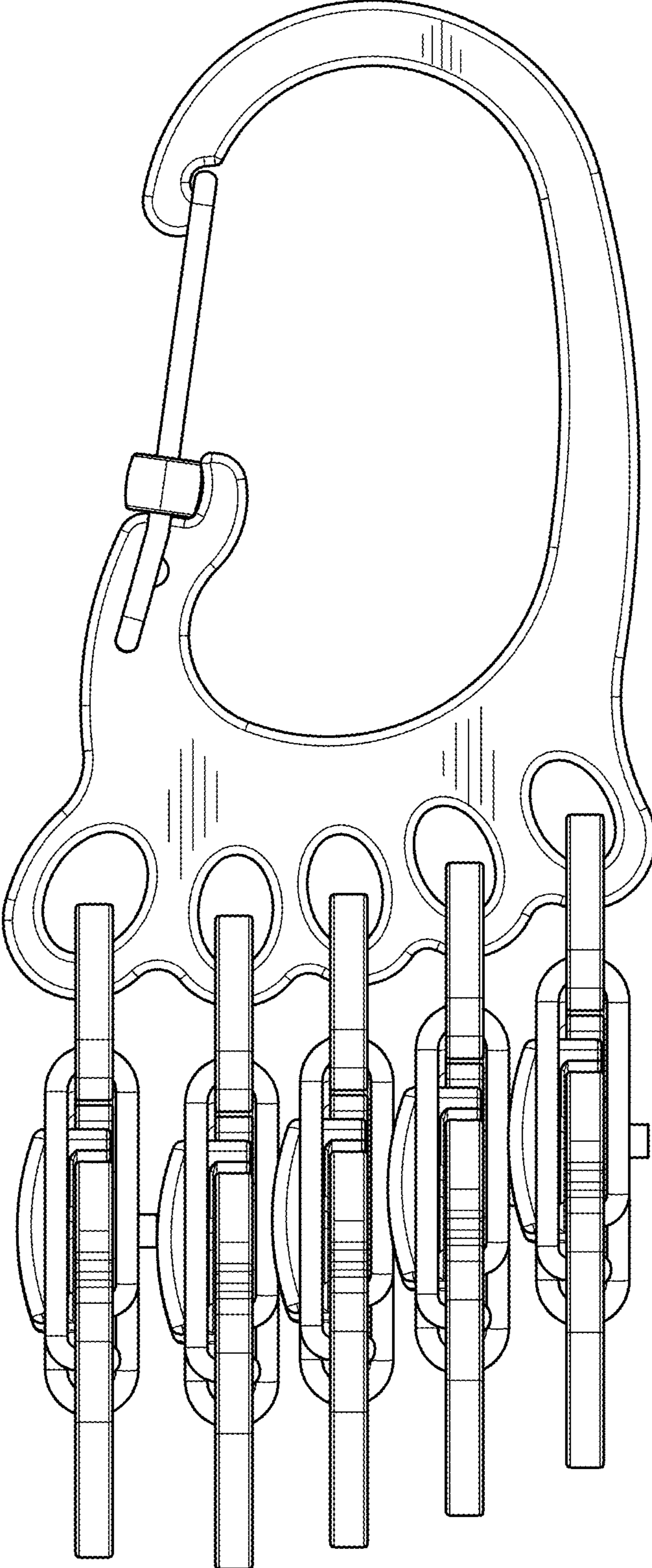


FIG. 5

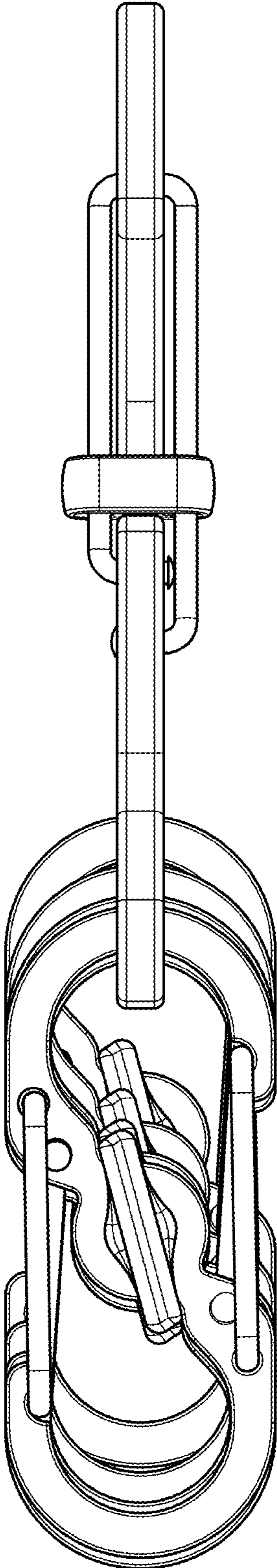


FIG. 6

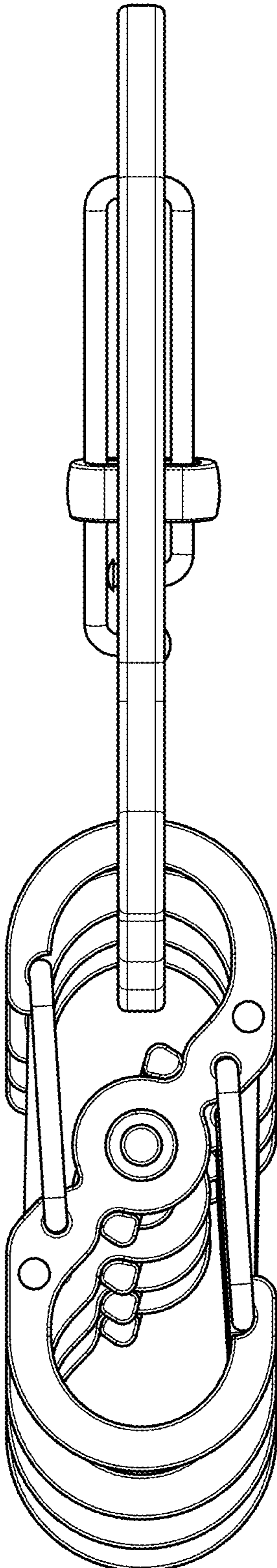


FIG. 7

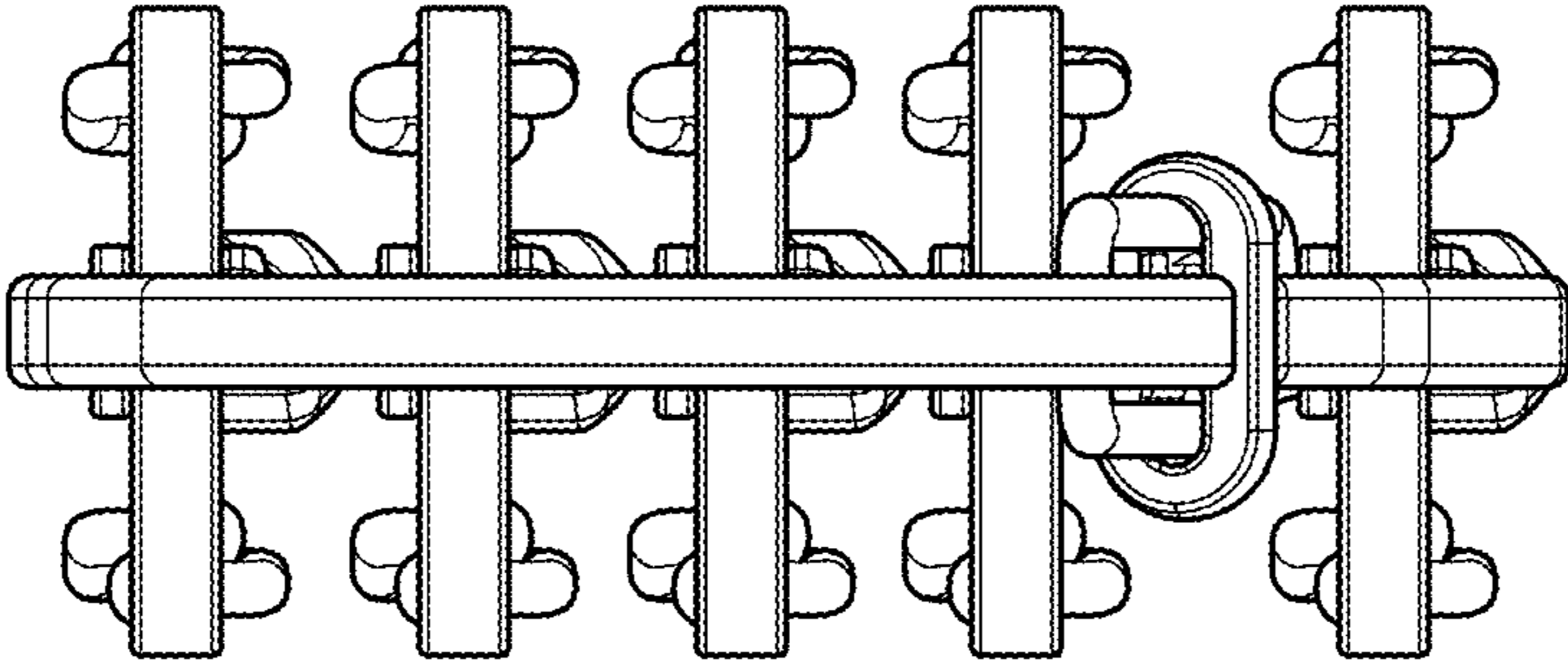


FIG. 8

