



US00D784677S

(12) **United States Design Patent**
Chang

(10) **Patent No.:** **US D784,677 S**

(45) **Date of Patent:** **** Apr. 25, 2017**

(54) **SHOE UPPER**

(71) Applicant: **NIKE, Inc.**, Beaverton, OR (US)

(72) Inventor: **Glen Chang**, Beaverton, OR (US)

(73) Assignee: **NIKE, Inc.**, Beaverton, OR (US)

(**) Term: **15 Years**

(21) Appl. No.: **29/541,458**

(22) Filed: **Oct. 2, 2015**

(51) **LOC (10) Cl.** **02-99**

(52) **U.S. Cl.**

USPC **D2/972**

(58) **Field of Classification Search**

USPC D2/902, 906-908, 944, 946, 969,
D2/972-974, 977

CPC ... A43B 13/181; A43B 13/141; A43B 13/186;
A43B 13/188; A43B 23/00; A43B 23/02;
A43B 5/00; A43B 23/26; A43B 1/04;
A43B 11/14; A43B 7/00; A43C 1/00;
A43C 11/00

See application file for complete search history.

(56) **References Cited**

U.S. PATENT DOCUMENTS

D99,903 S *	6/1936	Stix	D2/972
D185,429 S *	6/1959	Evins	D2/972
D400,001 S *	10/1998	Lozano	D2/972
D405,950 S *	2/1999	Lozano	D2/972
D427,760 S *	7/2000	Holmes	D2/972
D429,412 S *	8/2000	Tresser	D2/972
D467,720 S	12/2002	Patt	
D496,527 S *	9/2004	Roulo	D2/972
D500,408 S	1/2005	Rask	
D512,825 S	12/2005	Nelson	
D522,228 S *	6/2006	Young	D2/972
D524,526 S	7/2006	Chang et al.	
D525,021 S	7/2006	Chang et al.	

D527,885 S	9/2006	Young	
D529,706 S *	10/2006	Paz	D2/972
D544,697 S *	6/2007	Huthmaker	D2/972
D546,539 S *	7/2007	Paz	D2/972
D594,214 S *	6/2009	Matis	D2/969
D616,193 S	5/2010	Henderson	
D634,111 S	3/2011	Hull	
D646,471 S	10/2011	Mahoney	
D649,762 S *	12/2011	Wilken	D2/972
D651,787 S	1/2012	Mahoney	
D666,404 S	9/2012	Shaffer	
D667,211 S *	9/2012	Shaffer	D2/972
D668,031 S *	10/2012	Shaffer	D2/972
D668,035 S	10/2012	Shaffer	
D673,358 S	1/2013	Miner	
D675,419 S	2/2013	Miner	
D693,111 S *	11/2013	Hoffer	D2/972
D694,514 S	12/2013	Pizzuti	
D699,934 S	2/2014	Hatfield	
D700,423 S	3/2014	Martin	
D700,425 S	3/2014	Fogg	
D701,689 S	4/2014	Williams, Jr.	

(Continued)

Primary Examiner — Dominic Simone

(74) *Attorney, Agent, or Firm* — Banner & Witcoff, Ltd.

(57) **CLAIM**

The ornamental design for a shoe upper, as shown and described.

DESCRIPTION

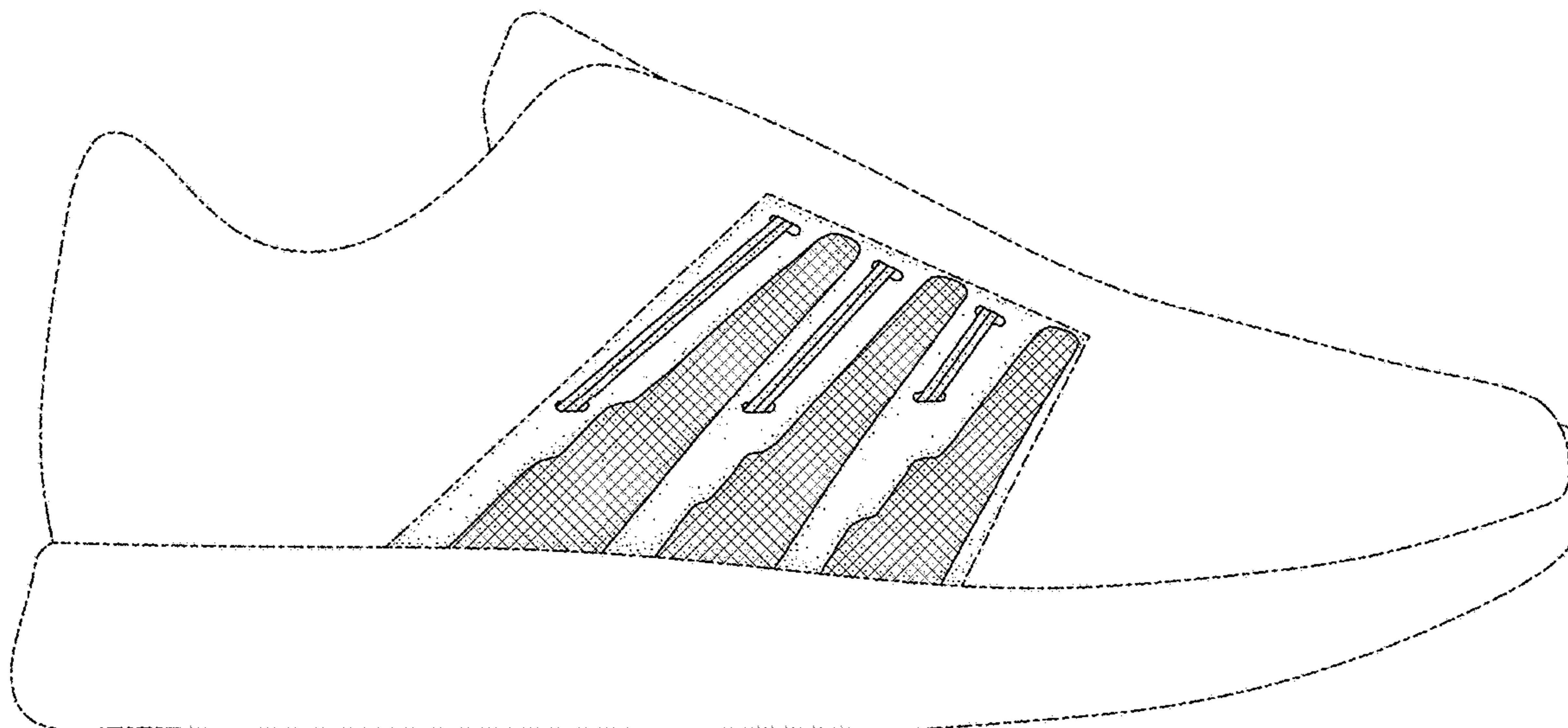
FIG. 1 is a front perspective view of a shoe upper showing my new design;

FIG. 2 is a side view thereof; and,

FIG. 3 is a rear perspective view thereof.

The broken lines immediately adjacent to the shaded area represent unclaimed boundaries of the design. The broken lines showing the remainder of the shoe are for environmental purposes only and form no part of the claimed design.

1 Claim, 3 Drawing Sheets



(56)

References Cited

U.S. PATENT DOCUMENTS

D710,591 S	8/2014	Mervar
D718,030 S	11/2014	Fuhrer et al.
D718,040 S	11/2014	Miner
D722,224 S	2/2015	Williams, Jr.

* cited by examiner

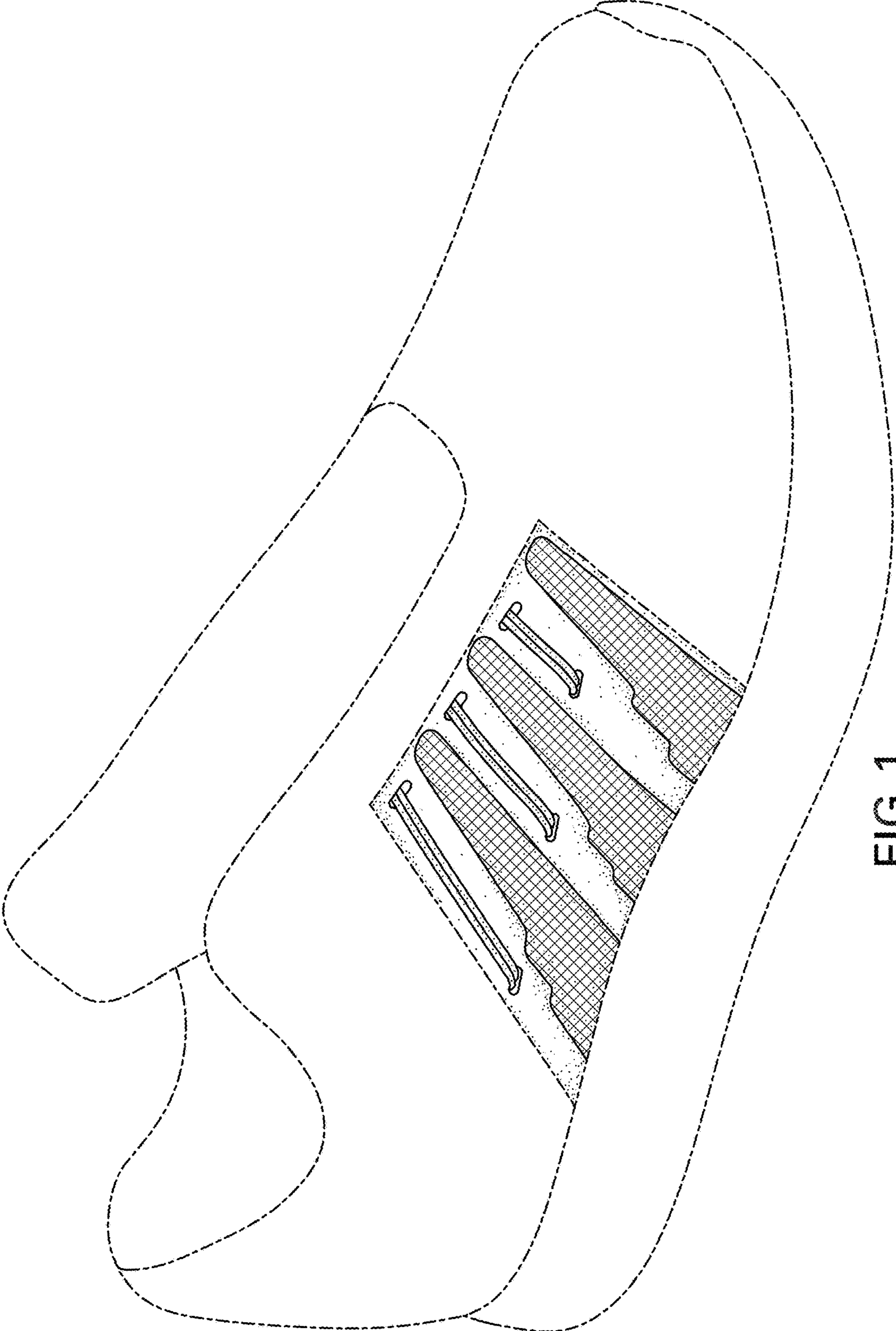


FIG. 1

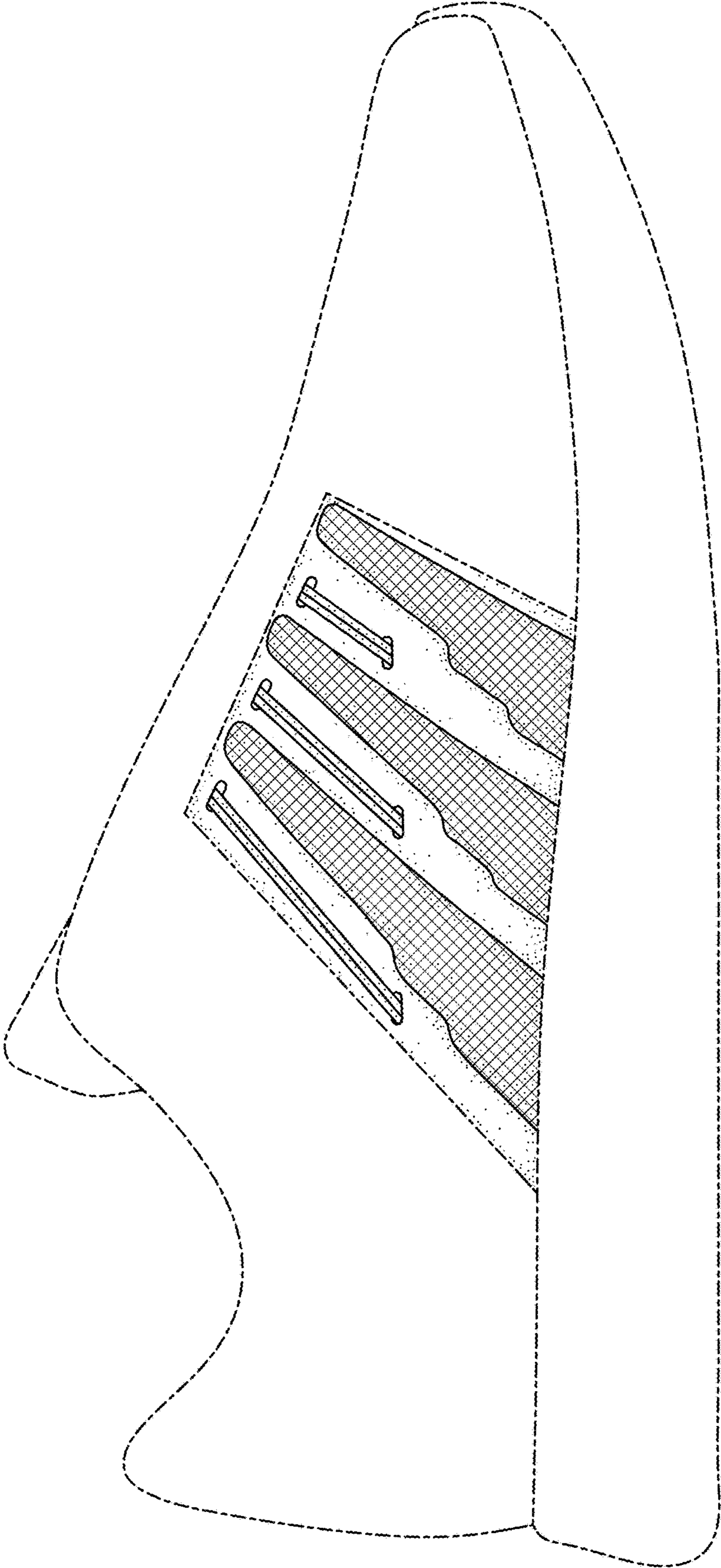


FIG. 2

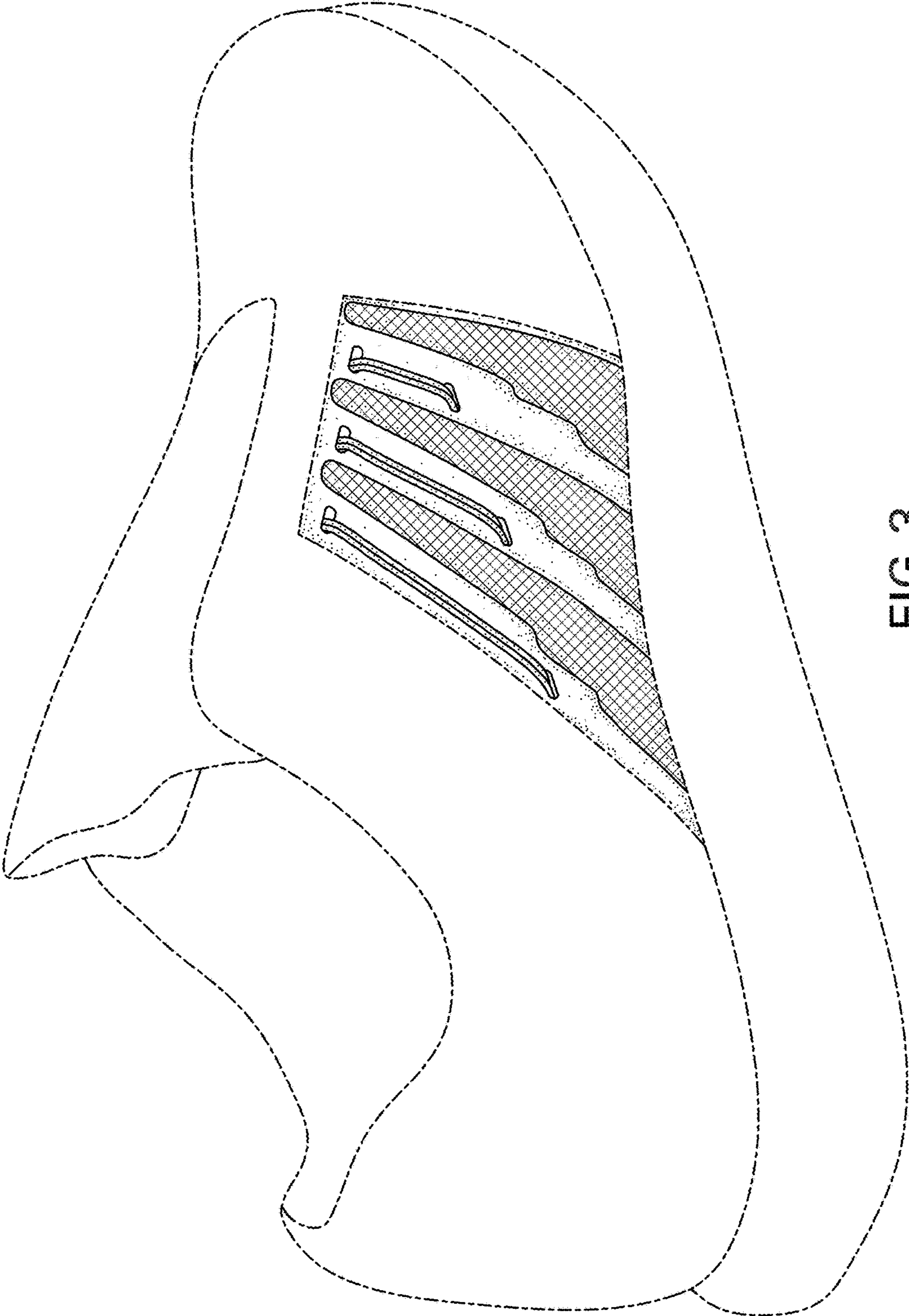


FIG. 3