



US00D784664S

(12) **United States Design Patent** (10) **Patent No.:** **US D784,664 S**
Leva et al. (45) **Date of Patent:** **** Apr. 25, 2017**

(54) **SHOE**
(71) Applicant: **Sea Star Beachwear, LLC**, New York, NY (US)
(72) Inventors: **Michael Leva**, New York, NY (US);
Lida E. Fitzgerald, New York, NY (US)

2,679,117 A * 5/1954 Reed A43B 3/14
12/142 G
D252,297 S * 7/1979 Castaner Vinas D2/927
D333,376 S 2/1993 Raffe
D377,264 S * 1/1997 Wunsch D2/947
D412,391 S 8/1999 Covatch
D449,153 S 10/2001 Rork et al.
(Continued)

(73) Assignee: **Sea Star Beachwear, LLC**, New York, NY (US)

(**) Term: **15 Years**

(21) Appl. No.: **29/557,755**

(22) Filed: **Mar. 11, 2016**

(51) **LOC (10) Cl.** **02-04**

(52) **U.S. Cl.**
USPC **D2/923**

(58) **Field of Classification Search**
USPC D2/896, 902, 908, 916, 918-942,
D2/946-962, 977

CPC A43B 13/00; A43B 13/02; A43B 13/023;
A43B 13/026; A43B 13/04; A43B 13/08;
A43B 13/10; A43B 13/12; A43B 13/14;
A43B 13/16; A43B 13/18; A43B 13/28;
A43B 13/30; A43B 13/32; A43B 13/34;
A43B 13/36; A43B 13/141; A43B
13/143; A43B 13/181; A43B 13/189;
A43B 13/223; A43B 13/224

See application file for complete search history.

(56) **References Cited**

U.S. PATENT DOCUMENTS

D138,573 S * 8/1944 Kleven D2/977
D138,574 S * 8/1944 Kleven D2/977
D151,644 S * 11/1948 Maling D2/927
D164,888 S * 10/1951 Wallau D2/920
D167,008 S * 6/1952 Spilman D2/924
D170,107 S * 8/1953 Baromes D2/918

OTHER PUBLICATIONS

Stella McCartney: Mesh Espadrille Ballet Flats, posted at saksfifthavenue.com, earliest date available Jun. 16, 2013, [online], acquired on Jan. 5, 2016. Available from Internet, <URL: http://www.saksfifthavenue.com/main/ProductDetail.jsp?PRODUCT%3C%3Eprd_id=845524446538642&CAWELAID=&cagpspn=pla&site_refer=GGLPRADS001_UK>.*

(Continued)

Primary Examiner — Cathron Brooks

Assistant Examiner — Aula Soroush

(74) *Attorney, Agent, or Firm* — Graham Curtin, P.A.

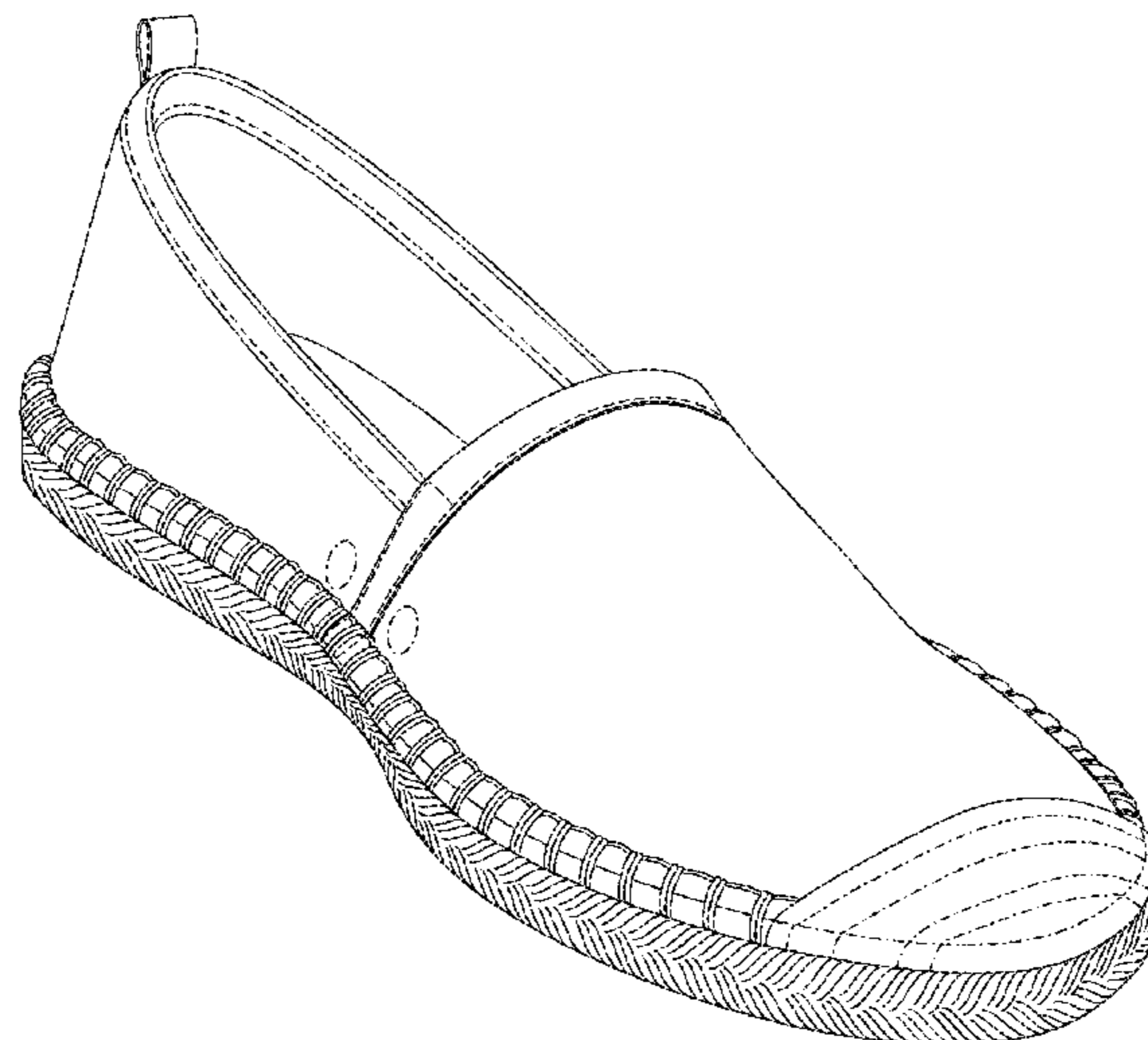
(57) **CLAIM**

The ornamental design for a shoe, as shown and described.

DESCRIPTION

FIG. 1 is a perspective view of one embodiment of a shoe showing our new design;
FIG. 2 is a perspective view thereof taken from the left side;
FIG. 3 is a perspective view thereof taken from the right side;
FIG. 4 is a perspective view thereof taken from the top;
FIG. 5 is a perspective view thereof taken from the front; and,
FIG. 6 is a perspective view thereof taken from the back.
The broken lines in the drawings illustrate threading that form no part of the claimed design. The dot-dash lines show portions of the shoe and form no part of the claimed design.

1 Claim, 3 Drawing Sheets



(56)

References Cited

U.S. PATENT DOCUMENTS

D514,794 S 2/2006 Corbi Rico
 D517,306 S 3/2006 Hoeft
 D519,271 S 4/2006 Hoeft
 D619,790 S 7/2010 Matalon
 D646,879 S 10/2011 Huynh
 D646,880 S 10/2011 Huynh
 D646,882 S 10/2011 Huynh
 D649,752 S * 12/2011 Kampff D2/911
 D650,973 S * 12/2011 Panariello D2/919
 D654,255 S * 2/2012 Amzallag D2/923
 D656,717 S 4/2012 Abramowitz
 D659,953 S 5/2012 Van Zyll De Jong et al.
 D660,565 S 5/2012 Della Valle et al.
 D660,569 S 5/2012 Abramowitz
 D677,862 S 3/2013 Van Zyll De Jong et al.
 D684,761 S 6/2013 Williams, Jr.
 D685,162 S 7/2013 Kampff
 D685,163 S * 7/2013 Kampff D2/896
 D689,674 S * 9/2013 Kampff D2/908
 D694,505 S 12/2013 Brozina
 D701,036 S 3/2014 Martin
 D701,037 S 3/2014 Ho
 D707,436 S 6/2014 Seamarks
 D707,947 S 7/2014 Seamarks
 D709,677 S 7/2014 Del Biondi
 D712,639 S 9/2014 Spring
 D716,023 S * 10/2014 Kampff D2/944

D719,325 S * 12/2014 Sassi D2/919
 D730,030 S 5/2015 Della Valle et al.
 D730,636 S 6/2015 Della Valle et al.
 D738,599 S * 9/2015 Sassi D2/929
 D741,054 S 10/2015 Stillwagon
 D748,900 S 2/2016 Weeks
 D763,555 S 8/2016 Engerman
 D767,267 S 9/2016 Abramowitz
 D767,867 S 10/2016 Johnsongriffin
 D767,868 S 10/2016 Johnsongriffin

OTHER PUBLICATIONS

Ten of the best espadrilles—in pictures, posted at theguardian.com, earliest date available Jun. 7, 2013, [online], acquired on Jan. 4, 2016. Available from Internet, <URL: <https://www.theguardian.com/fashion/gallery/2013/jun/07/ten-best-espadrilles-in-pictures>>.*
 The best espadrilles—in pictures, posted at theguardian.com, earliest date available May 16, 2011, [online], acquired on Jan. 4, 2016. Available from Internet, <URL: <https://www.theguardian.com/lifeandstyle/gallery/2011/may/16/best-espadrilles-in-pictures>>.*
 Slip into Summer with the Best Espadrilles for Men, posted at fashiontrendsdaily.com, earliest date available Jun. 29, 2012, [online], acquired on Jan. 4, 2016. Available from Internet, <URL: <http://www.fashiontrendsdaily.com/fashion-shoes/slip-into-summer-with-the-best-espadrilles-for-men>>.*

* cited by examiner

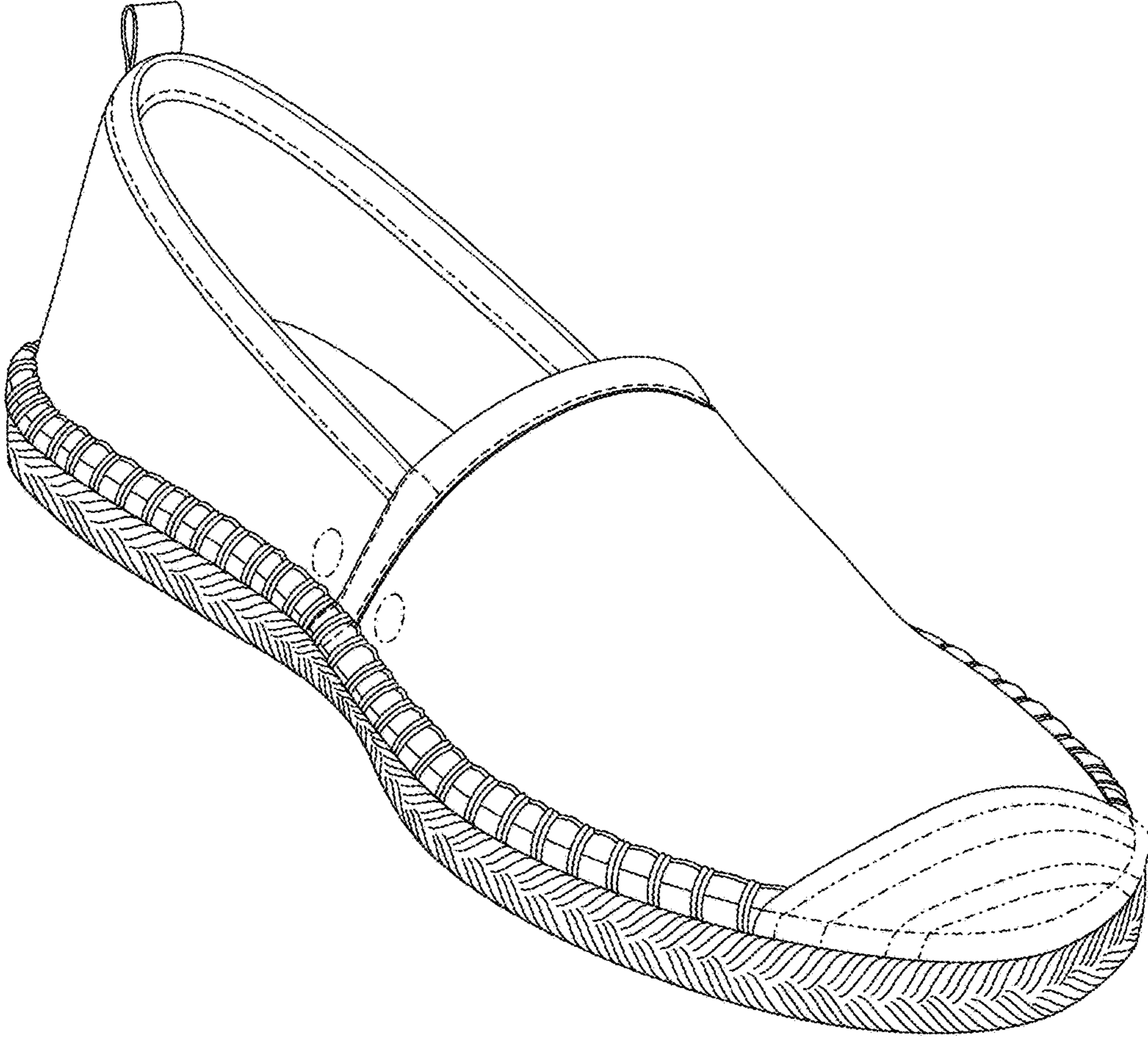


FIG. 1

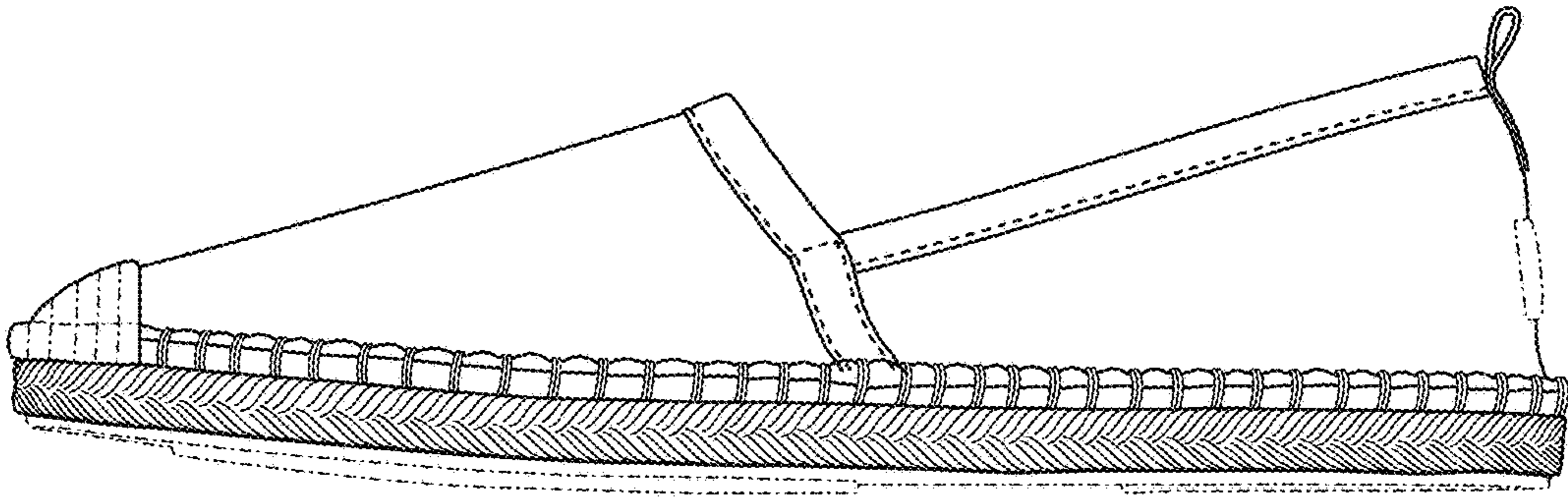


FIG. 2

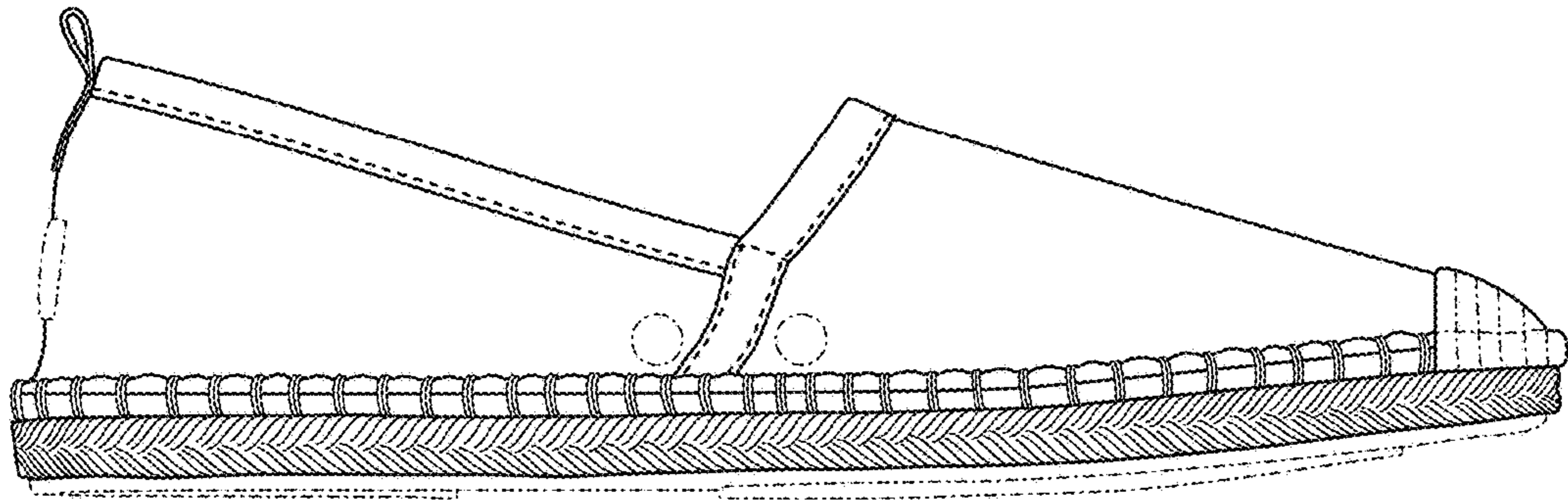


FIG. 3

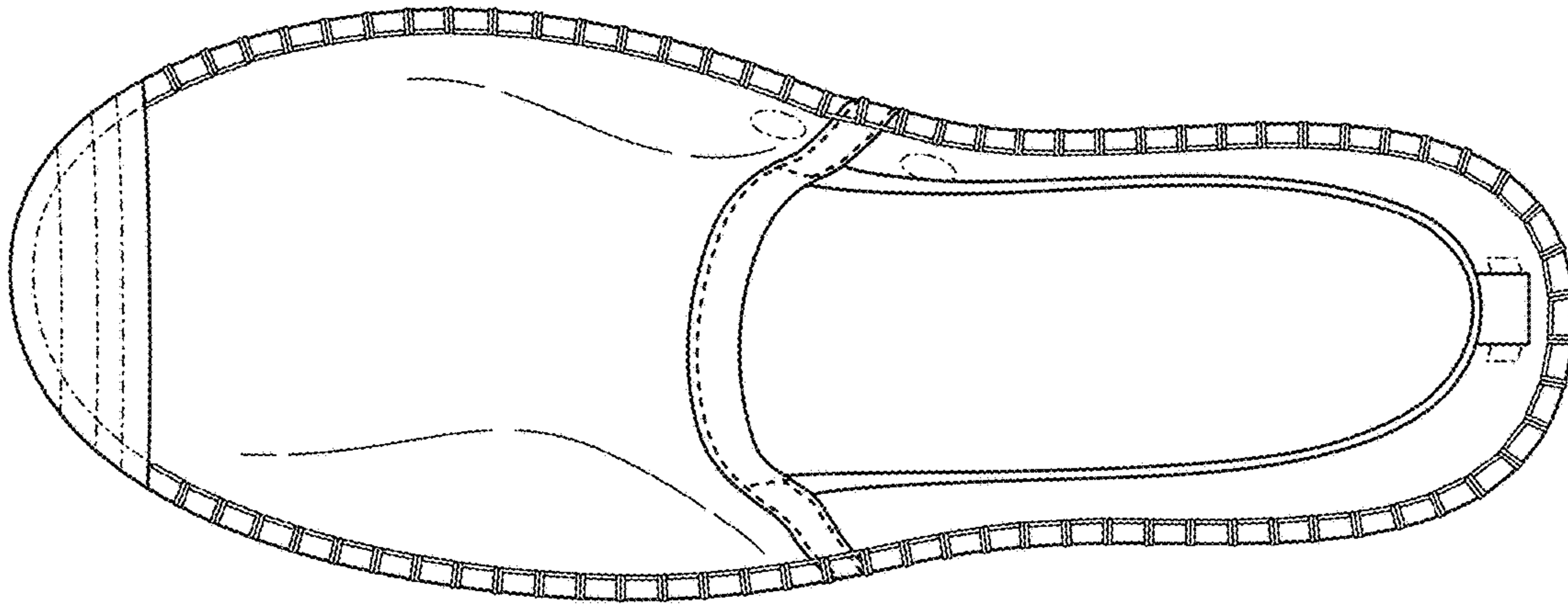


FIG. 4

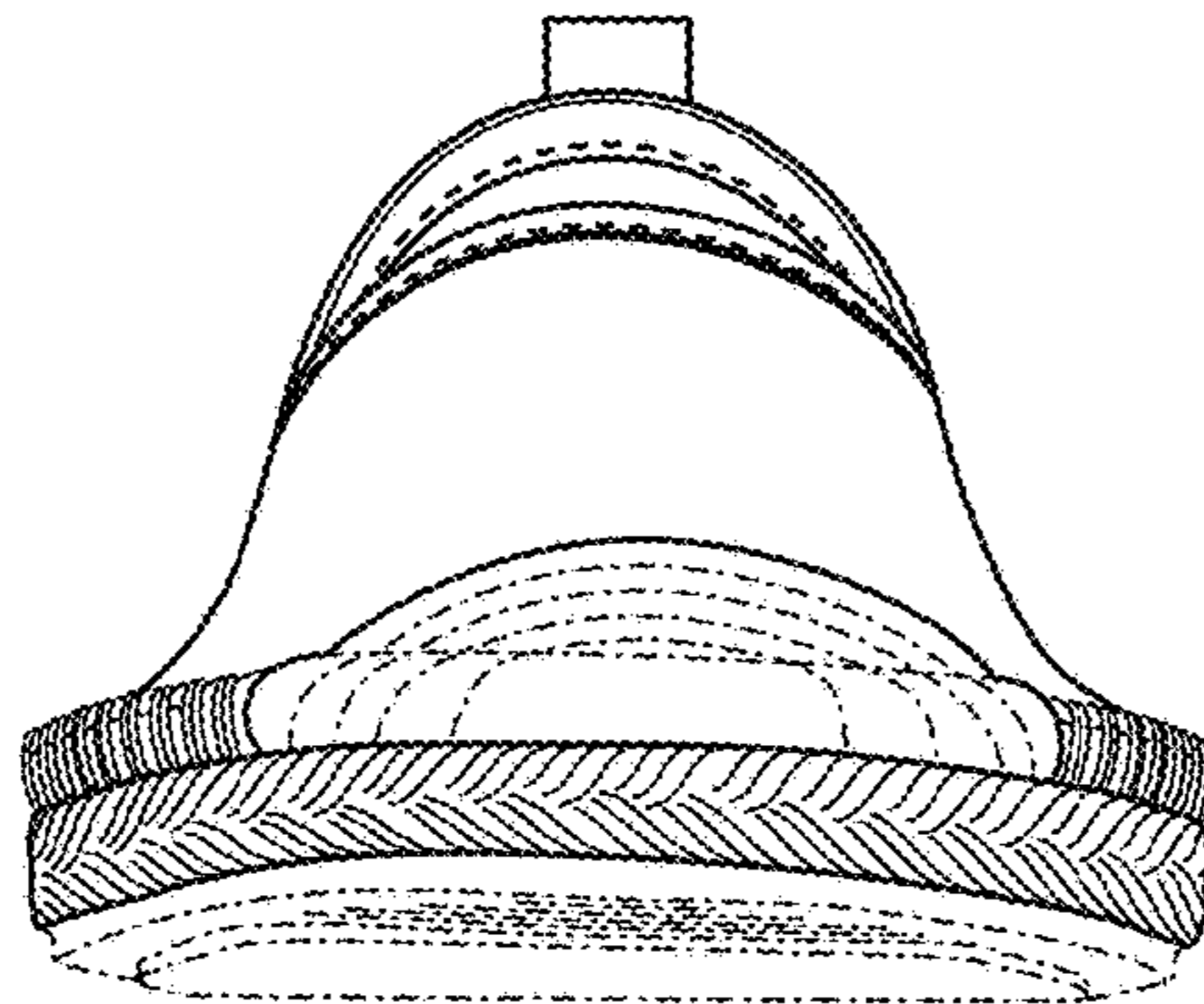


FIG. 5

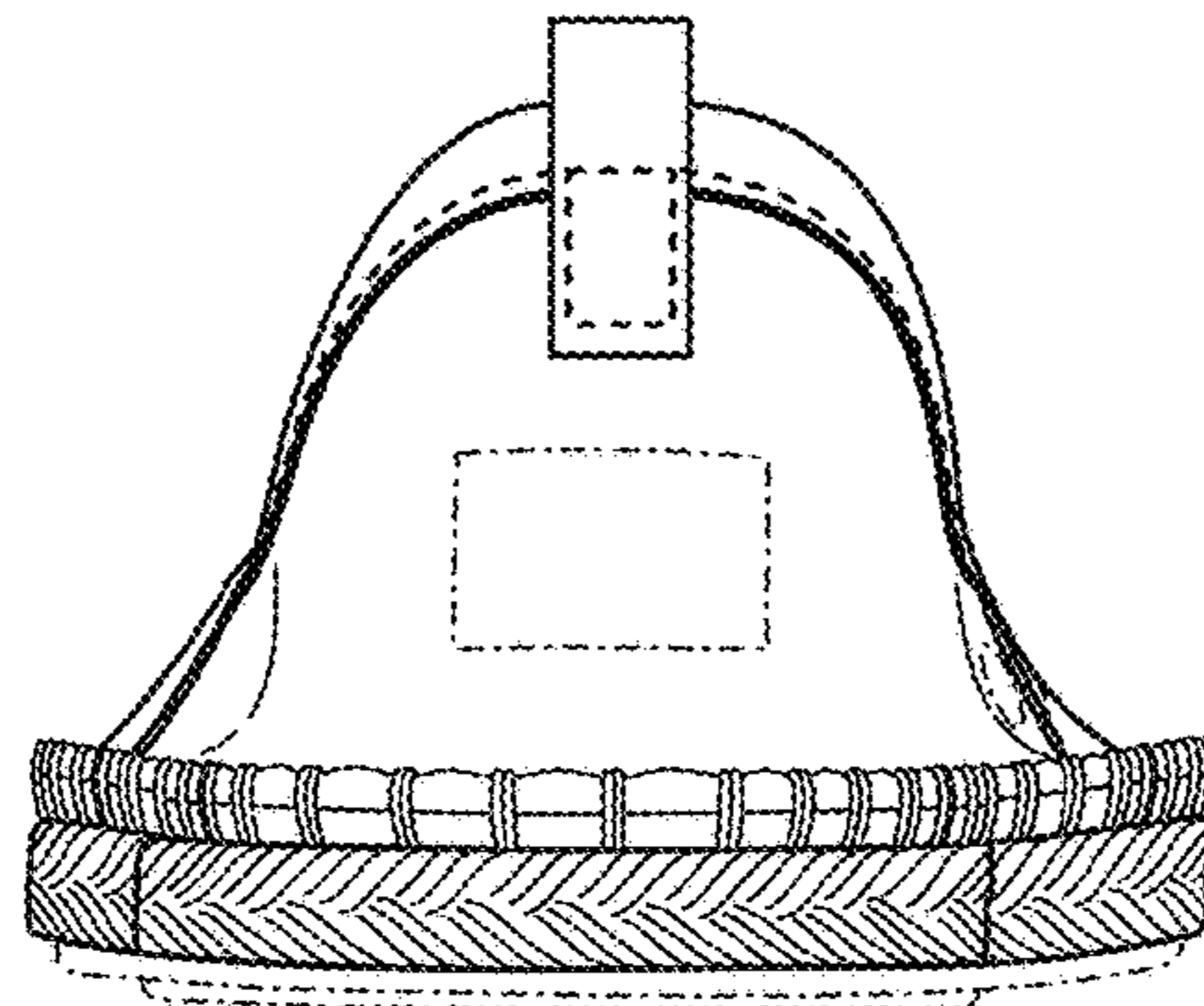


FIG. 6