



US00D784662S

(12) **United States Design Patent**  
**Menjor**

(10) **Patent No.:** **US D784,662 S**

(45) **Date of Patent:** **\*\* Apr. 25, 2017**

- (54) **SHOE**
- (71) Applicant: **Francis Menjor**, Decatur, GA (US)
- (72) Inventor: **Francis Menjor**, Decatur, GA (US)
- (\*\*) Term: **15 Years**
- (21) Appl. No.: **29/562,308**
- (22) Filed: **Apr. 25, 2016**
- (51) **LOC (10) Cl.** ..... **02-04**
- (52) **U.S. Cl.**  
USPC ..... **D2/907; D2/944; D2/945**
- (58) **Field of Classification Search**  
USPC ..... D2/896, 902, 905, 906, 907, 908, 943,  
D2/944, 945, 946, 947, 960  
CPC .... A43B 1/00; A43B 3/00; A43B 5/00; A43B  
5/001; A43B 5/002; A43B 5/003; A43B  
5/005; A43B 5/007; A43B 5/008; A43B  
5/02; A43B 5/025; A43B 5/06; A43B  
5/08; A43B 5/10; A43B 5/12; A43B 5/14;  
A43B 5/145  
See application file for complete search history.

D287,782 S *	1/1987	Palacio	.....	36/136
4,726,128 A *	2/1988	Lin	.....	A43B 3/0031 36/132
D430,966 S *	9/2000	Brady	.....	D2/902
D449,426 S *	10/2001	Pollastrelli	.....	D2/902
D449,922 S *	11/2001	Pollastrelli	.....	D2/902
D595,937 S *	7/2009	Morris	.....	D2/907
D595,938 S *	7/2009	Fuchs	.....	D2/907
D611,231 S *	3/2010	Parisotto	.....	A43B 5/003 D2/907
D723,258 S *	3/2015	Weddle	.....	D2/907
D738,084 S *	9/2015	Feeney	.....	D2/907
D747,087 S *	1/2016	Sars	.....	D2/907
D751,797 S *	3/2016	Slimane	.....	D2/908
D753,906 S *	4/2016	Kasprzak	.....	D2/907

\* cited by examiner

*Primary Examiner* — Elizabeth J Oswecki

(57) **CLAIM**

The ornamental design for a shoe, as shown and described.

**DESCRIPTION**

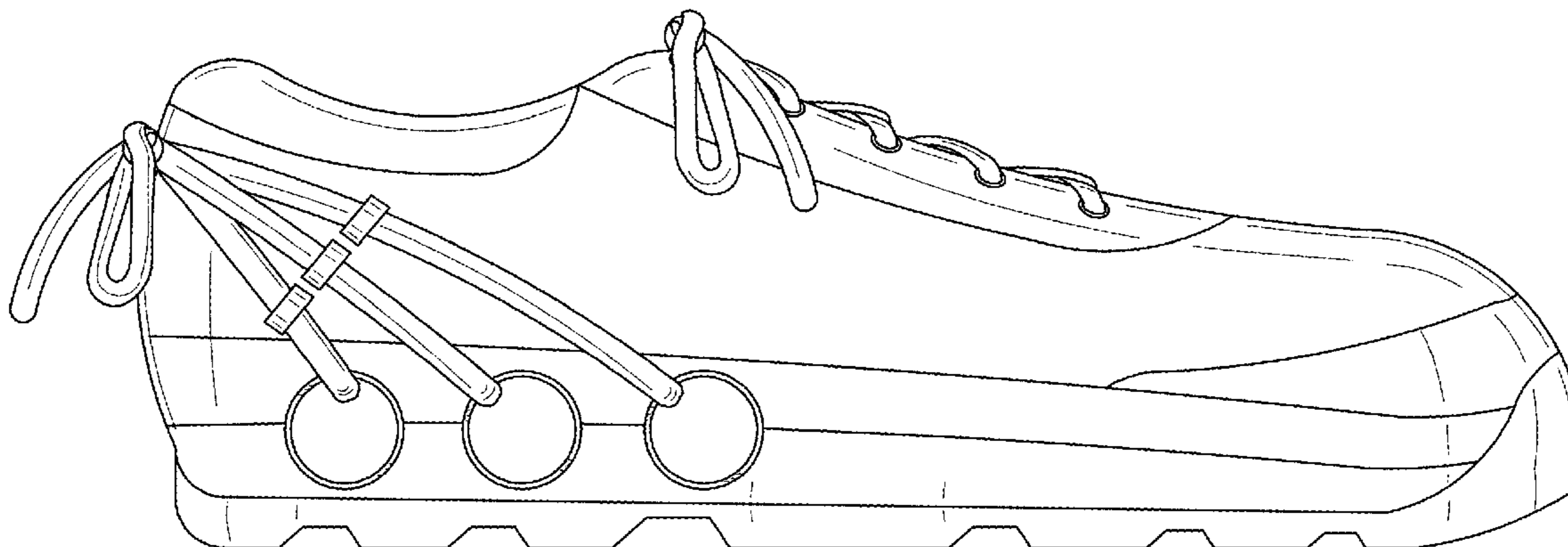
FIG. 1 is a front view of a shoe showing my new design;  
FIG. 2 is a rear view thereof;  
FIG. 3 is a left side view thereof;  
FIG. 4 is a right side view thereof;  
FIG. 5 is a top view thereof; and,  
FIG. 6 is a bottom view thereof.

**1 Claim, 4 Drawing Sheets**

(56) **References Cited**

**U.S. PATENT DOCUMENTS**

4,468,870 A *	9/1984	Sternberg	.....	A43B 5/00 36/127
4,584,783 A *	4/1986	Dobbin	.....	A43C 1/00 36/50.1



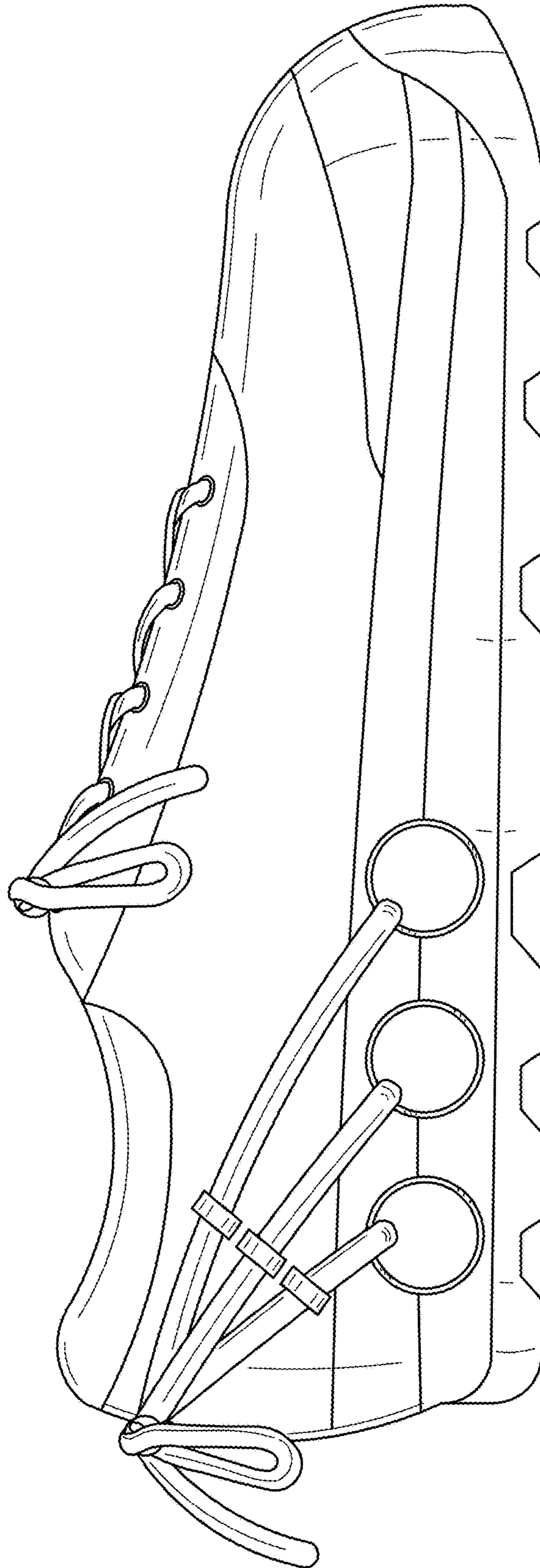


FIG. 1

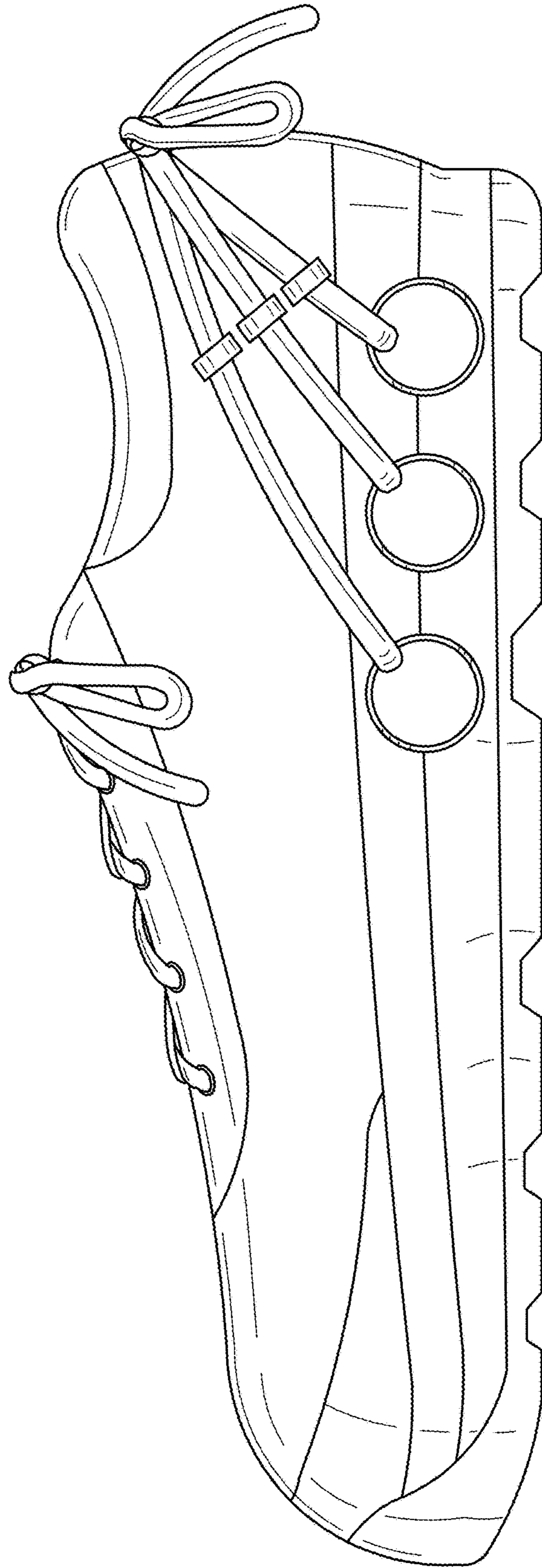


FIG. 2

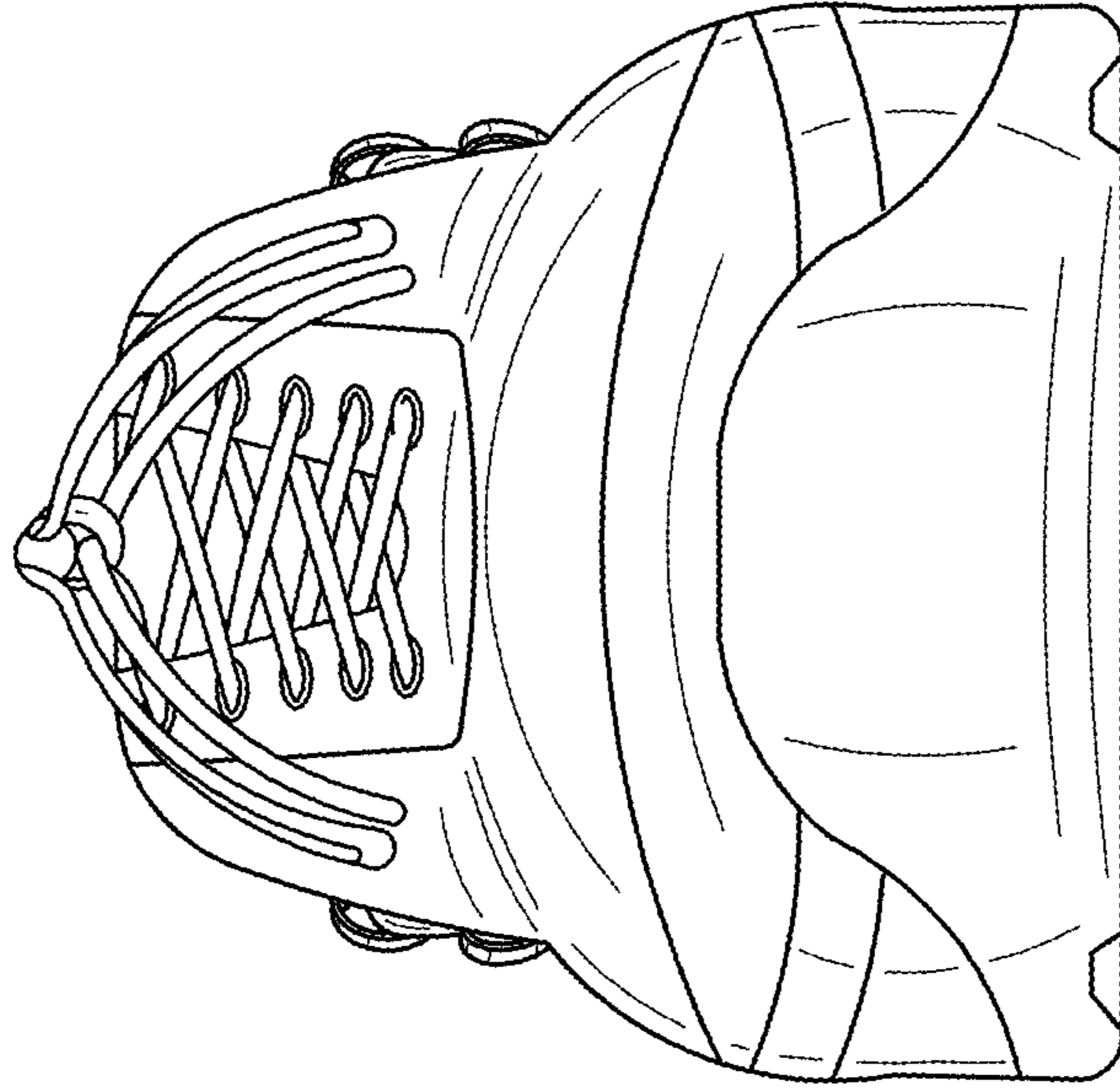


FIG. 4

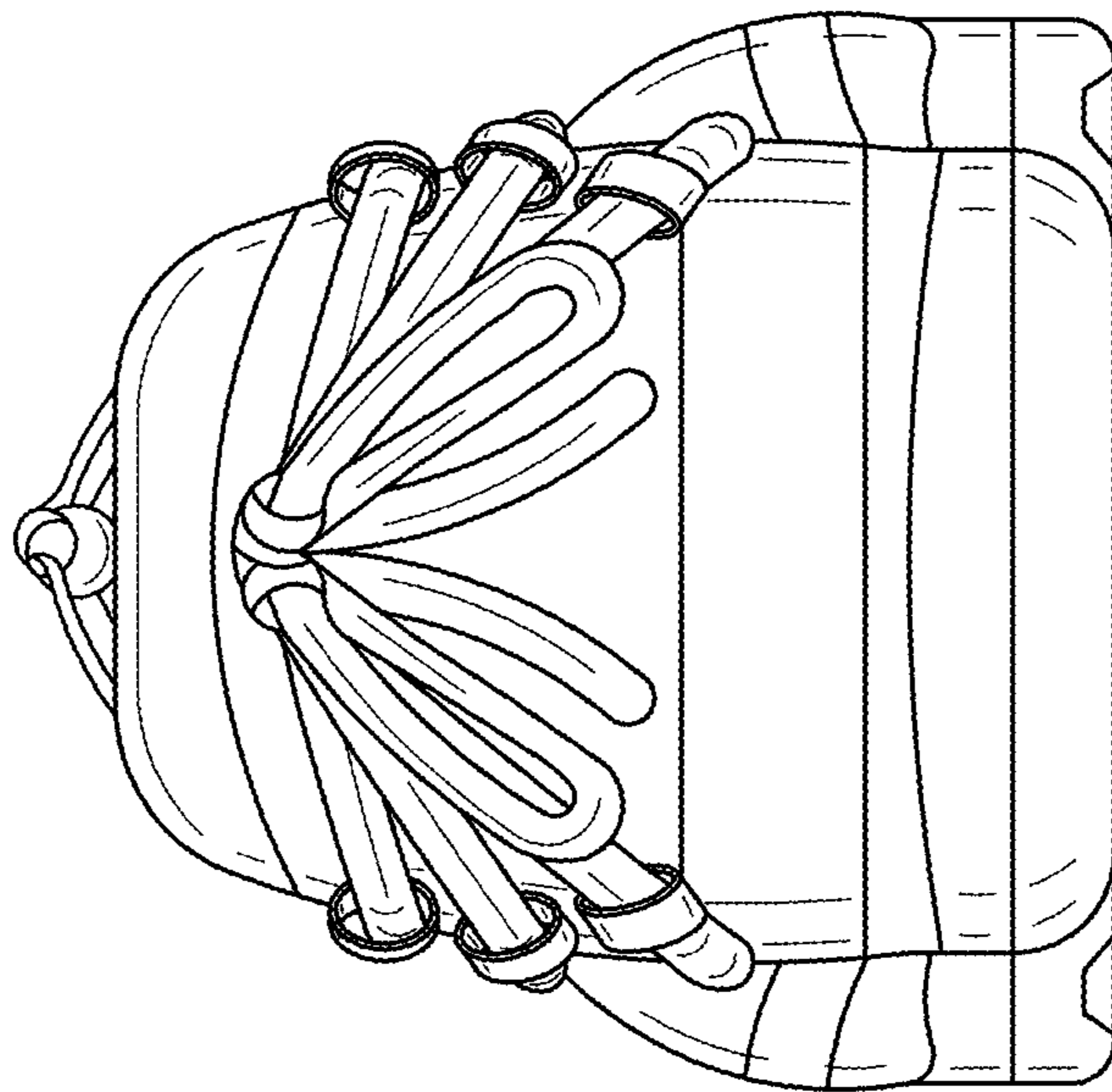


FIG. 3

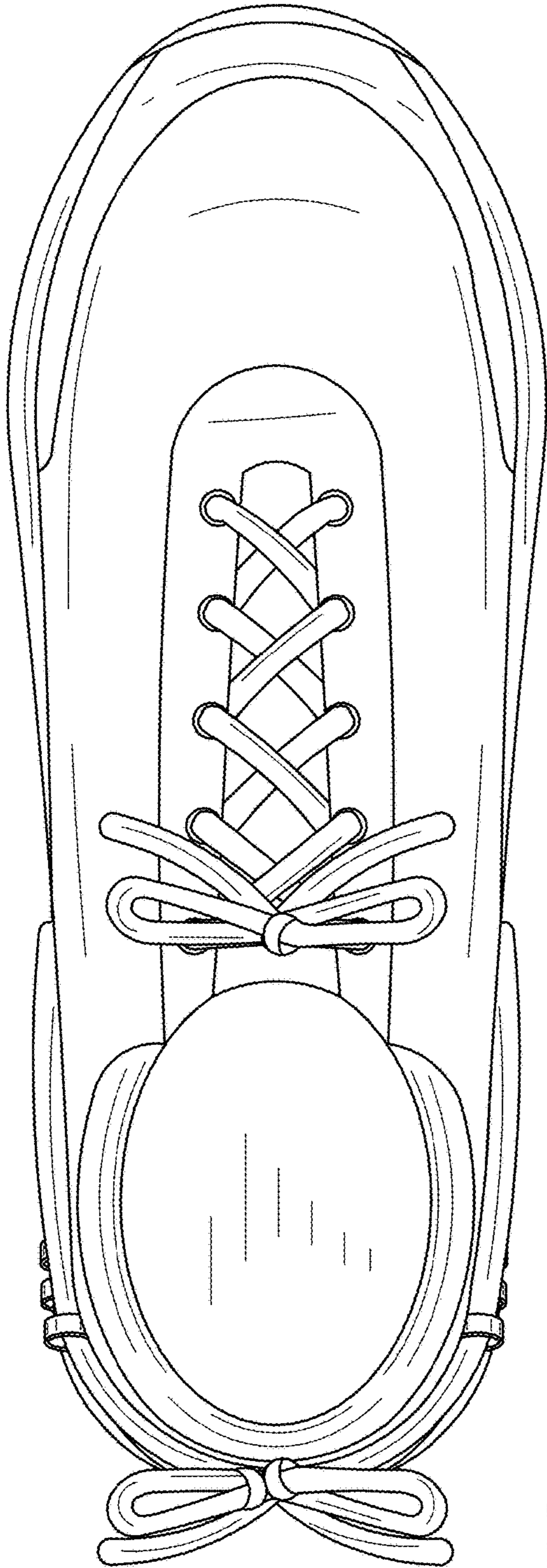


FIG. 5

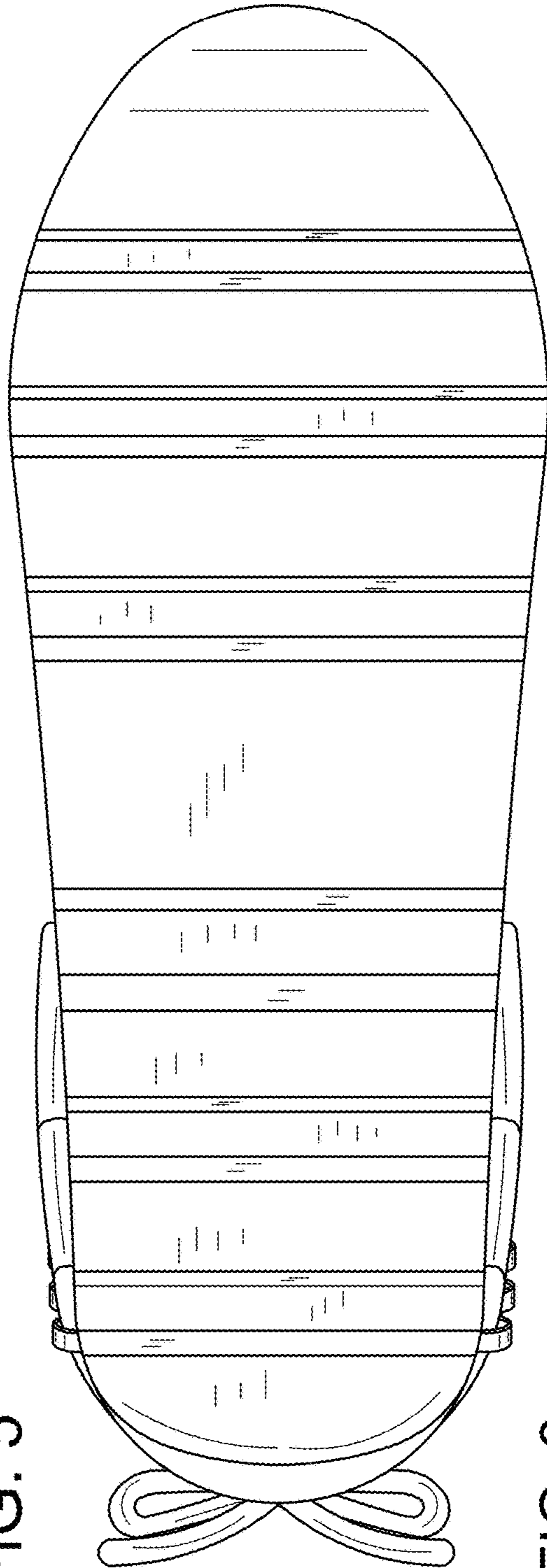


FIG. 6