



US00D784659S

(12) **United States Design Patent**
Darmour

(10) **Patent No.:** **US D784,659 S**
(45) **Date of Patent:** **** Apr. 25, 2017**

- (54) **SHIRT**
- (71) Applicant: **NIKE, Inc.**, Beaverton, OR (US)
- (72) Inventor: **Rob Darmour**, Portland, OR (US)
- (73) Assignee: **NIKE, Inc.**, Beaverton, OR (US)
- (**) Term: **15 Years**
- (21) Appl. No.: **29/545,764**
- (22) Filed: **Nov. 16, 2015**
- (51) **LOC (10) Cl.** **02-02**
- (52) **U.S. Cl.**
USPC **D2/840**
- (58) **Field of Classification Search**
USPC D2/840, 848, 850, 728, 750, 752, 754,
D2/755, 751, 828, 847, 831, 839; 2/128,
2/84, 90, 93, 115, 247, 236, 87, 69;
D11/200, 221
CPC . A41D 15/00; A41D 3/00; A41D 3/04; A41D
13/001; A41D 13/0512; A41D 13/0518;
A41D 13/00; A41D 13/11
See application file for complete search history.

- 6,175,966 B1 * 1/2001 Wiesenthal A41D 27/08
2/243.1
- D513,715 S * 1/2006 Fayle D11/221
- 7,003,805 B1 * 2/2006 Woodfork, Jr. A41D 3/04
2/85
- D618,441 S * 6/2010 Hall D2/717
- D648,924 S * 11/2011 Propst D2/828
- D661,467 S * 6/2012 Whitefield D2/840
- D734,593 S * 7/2015 Borovicka D2/831
- D756,602 S * 5/2016 Darmour D2/828
- D758,698 S * 6/2016 Darmour D2/828
- D764,758 S * 8/2016 Glazer D2/750

* cited by examiner

Primary Examiner — Susan Bennett Hattan
Assistant Examiner — Rebecca Tsehaye
(74) *Attorney, Agent, or Firm* — Shook, Hardy & Bacon
L.L.P.

(57) **CLAIM**

The ornamental design for a shirt, as shown and described.

DESCRIPTION

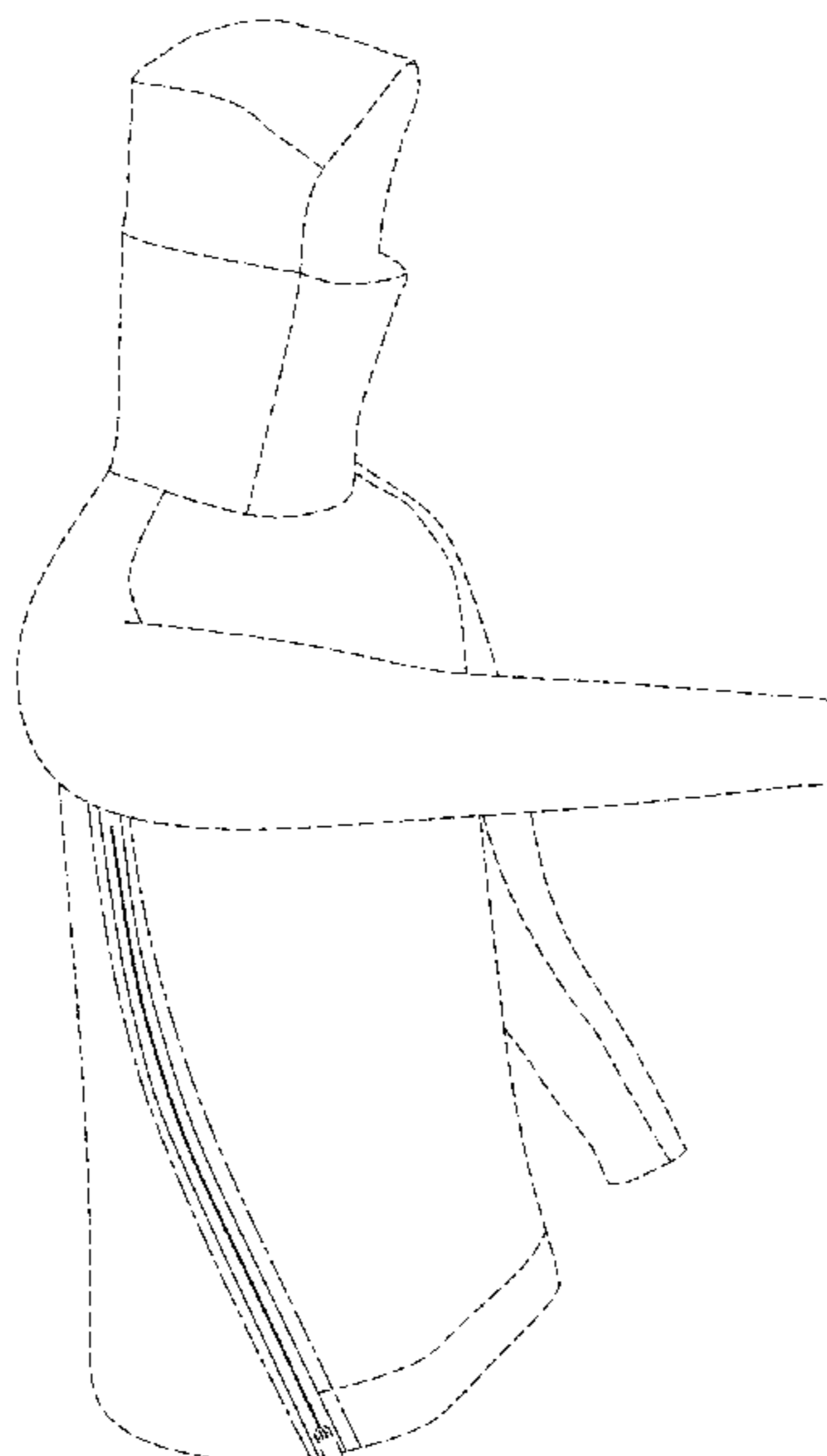
FIG. 1 is a right, front perspective view of a shirt according to the present design;
FIG. 2 is a front view thereof;
FIG. 3 is a right side view thereof;
FIG. 4 is a left side view thereof; and,
FIG. 5 is a back view thereof.
The evenly spaced broken lines shown in the drawings are directed to environment, are for informational purposes only, and form no part of the claimed design.
The long and short broken lines are boundary lines, which define the bounds of the claimed design. These boundaries do not exist in reality in the article embodying the design. It is understood that the claimed design extends to these boundaries but does not include the boundaries.

1 Claim, 4 Drawing Sheets

(56) **References Cited**

U.S. PATENT DOCUMENTS

- D129,909 S * 10/1941 Turcotte D2/839
- 2,493,531 A * 1/1950 Fitches A41D 15/00
2/115
- 4,464,795 A * 8/1984 Long B63C 11/04
2/2.17
- D279,937 S * 8/1985 Cohen D2/717
- 5,806,090 A * 9/1998 Johnson B63C 11/04
2/2.15
- 5,988,468 A * 11/1999 Murdoch A45C 11/24
224/235
- 6,038,699 A * 3/2000 Han A41D 13/02
2/455



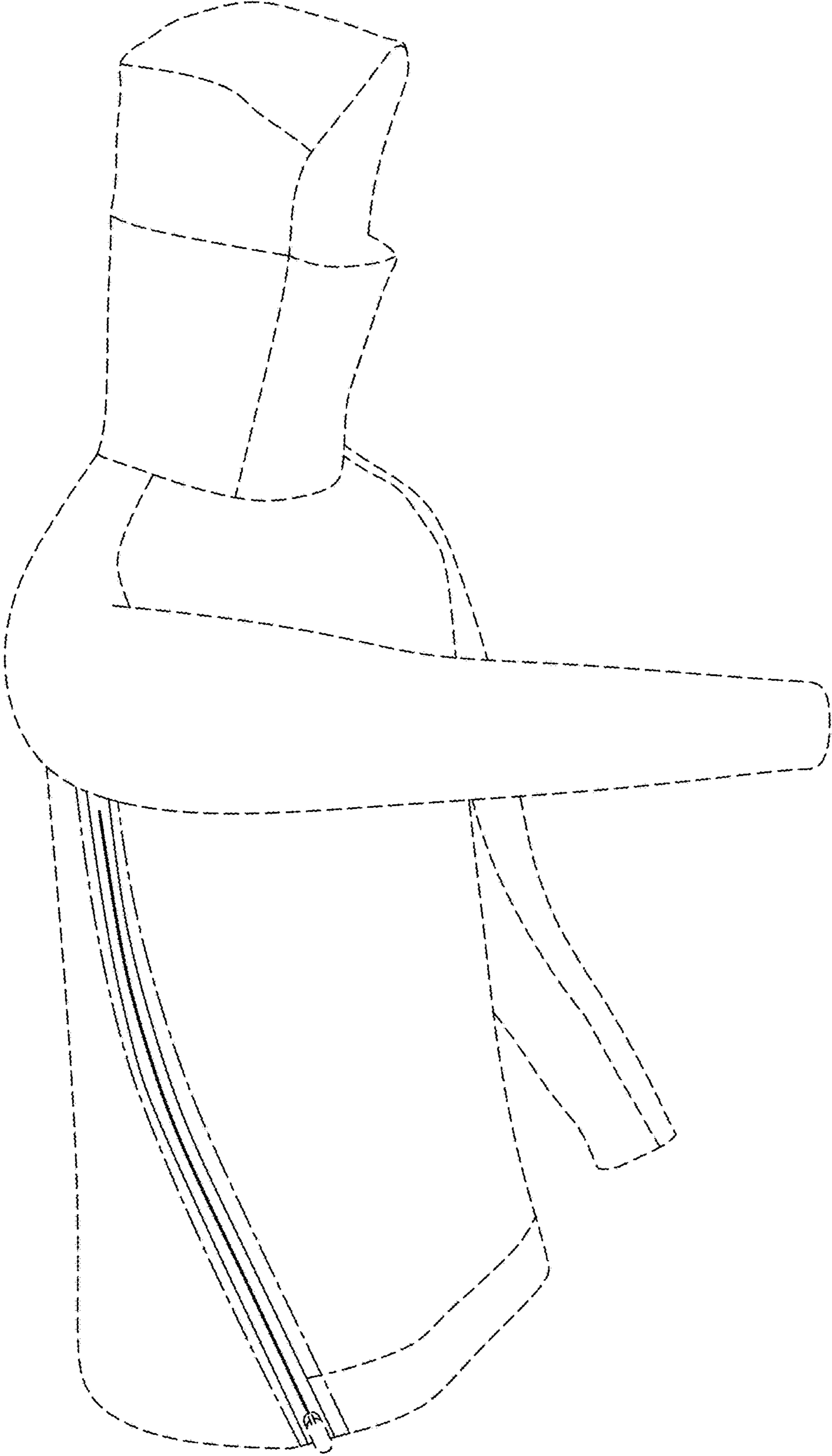


FIG. 1

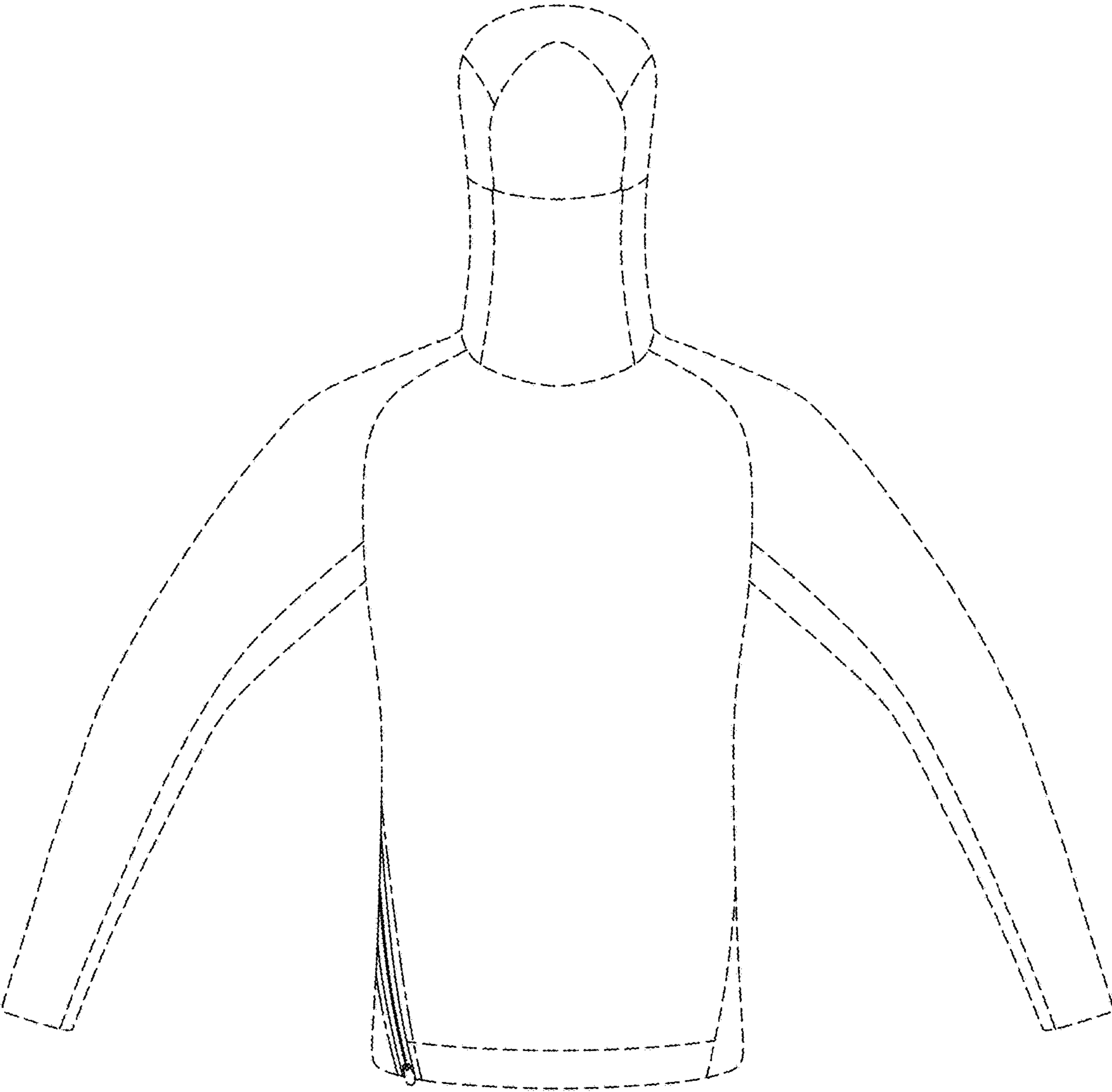


FIG. 2

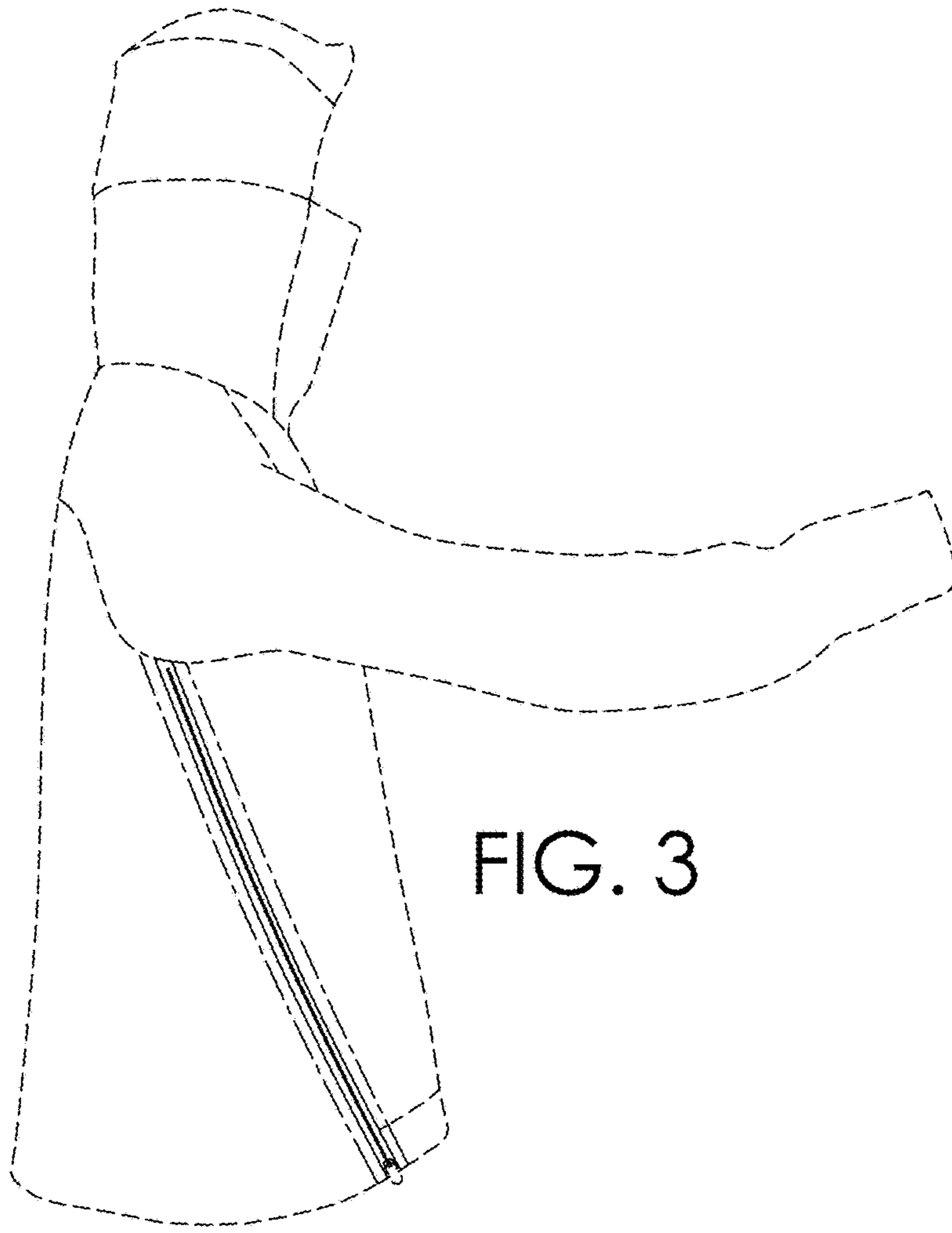


FIG. 3

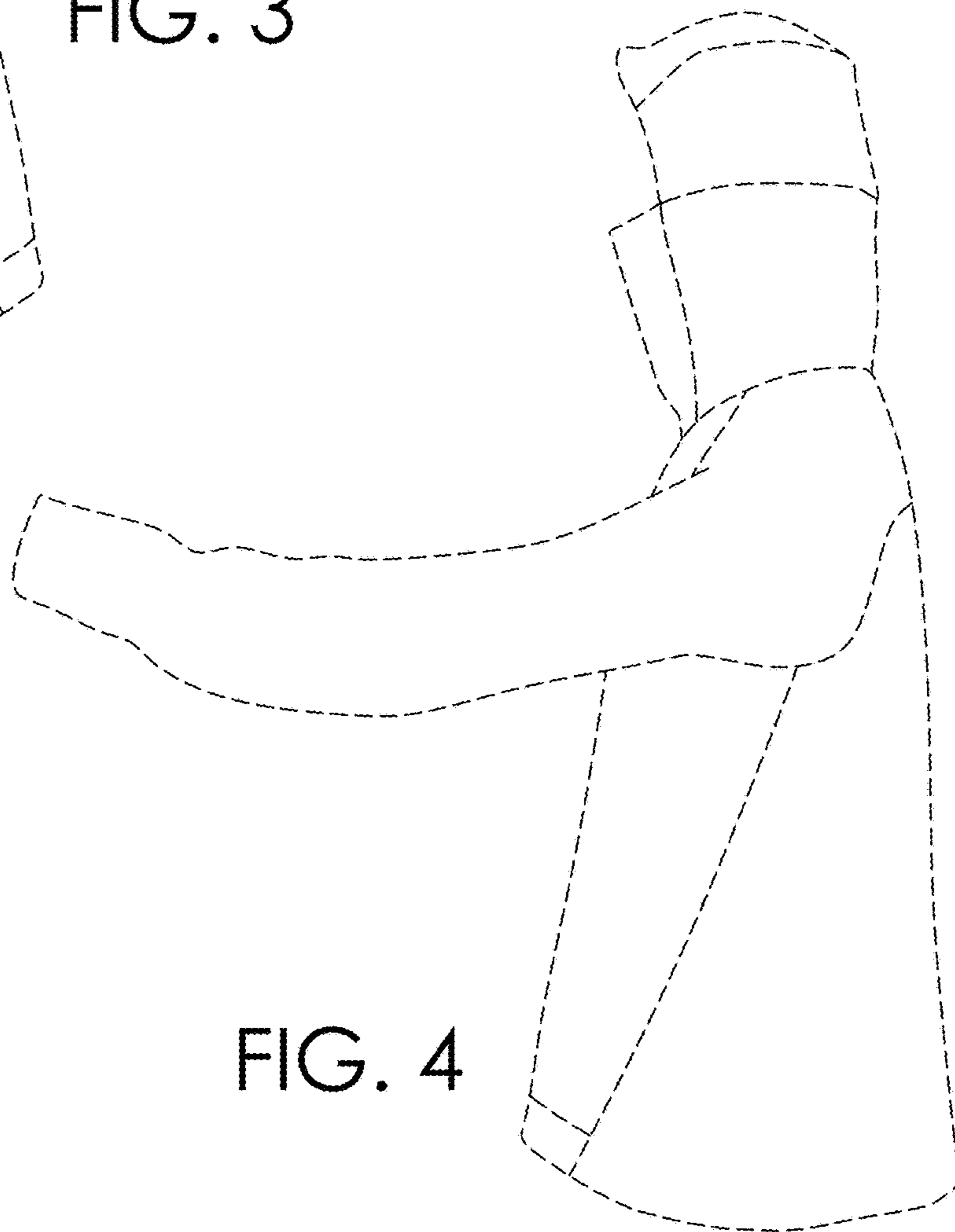


FIG. 4

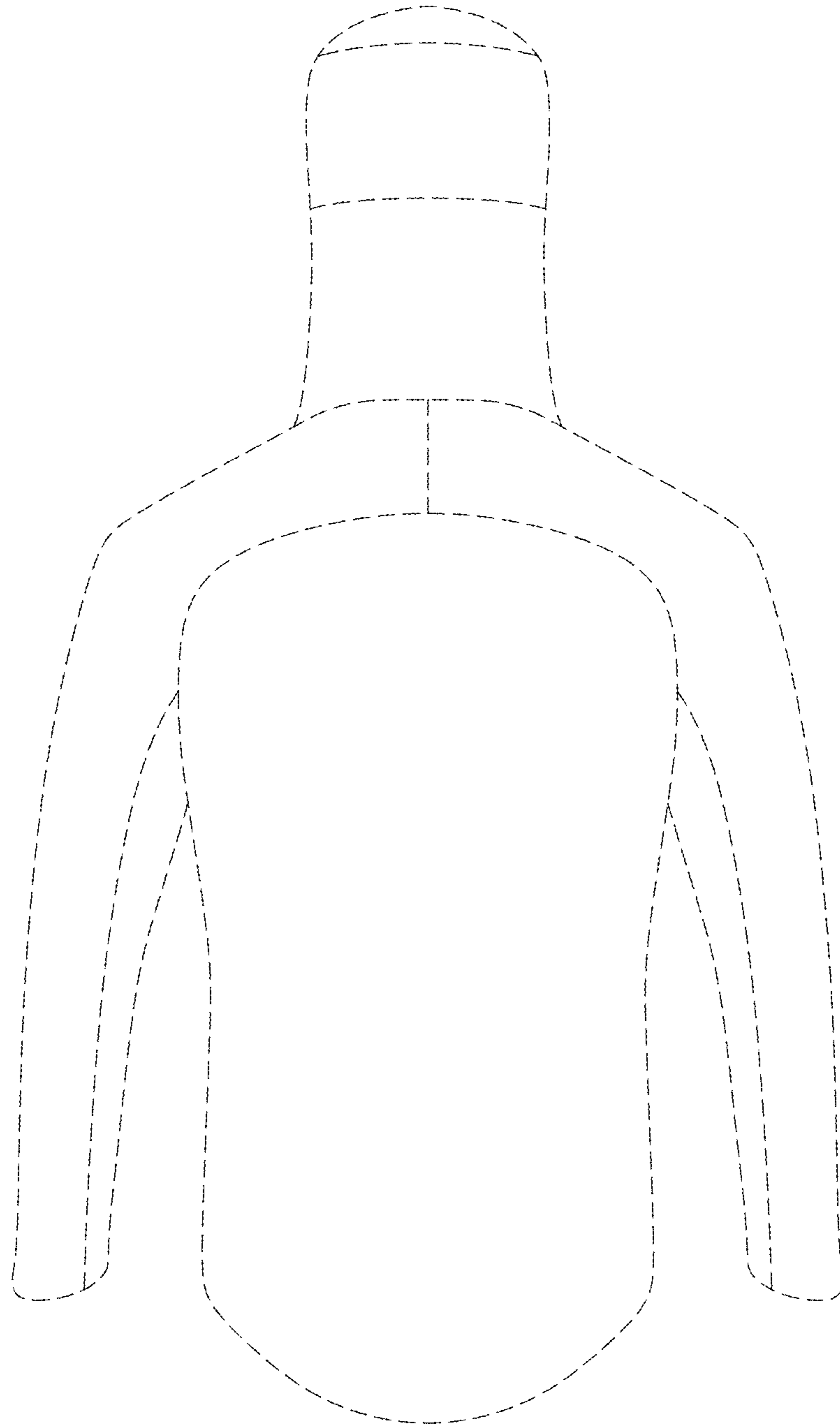


FIG. 5

UNITED STATES PATENT AND TRADEMARK OFFICE
CERTIFICATE OF CORRECTION

PATENT NO. : D784,659 S
APPLICATION NO. : 29/545764
DATED : April 25, 2017
INVENTOR(S) : Rob Darmour

Page 1 of 1

It is certified that error appears in the above-identified patent and that said Letters Patent is hereby corrected as shown below:

In the Description

Line 5: "thereof; and," should read --thereof; and--.

Signed and Sealed this
Eighteenth Day of July, 2017



Joseph Matal
*Performing the Functions and Duties of the
Under Secretary of Commerce for Intellectual Property and
Director of the United States Patent and Trademark Office*