



US00D784656S

(12) **United States Design Patent**
Carvalho

(10) **Patent No.:** **US D784,656 S**
(45) **Date of Patent:** **** Apr. 25, 2017**

(54) **TROUSERS**

(71) Applicant: **WEADAPT—INCLUSIVE DESIGN & ENGINEERING SOLUTIONS,**
Braga (PT)

(72) Inventor: **Miguel Angelo Fernandes Carvalho,**
Braga (PT)

(73) Assignee: **Weadapt—Inclusive Design and Engineering Solutions LDA,**
Trandeiras (PT)

(**) Term: **14 Years**

(21) Appl. No.: **29/502,484**

(22) Filed: **Sep. 17, 2014**

(30) **Foreign Application Priority Data**

Mar. 3, 2014 (EM) 002416800-0002

(51) **LOC (10) Cl.** **02-02**

(52) **U.S. Cl.**
USPC **D2/742**

(58) **Field of Classification Search**
USPC D2/731, 738, 739, 742, 743, 745, 700,
D2/748, 747

CPC A41D 1/067; A41D 13/065; A41D 27/08;
A41D 1/06; A41D 13/02

See application file for complete search history.

(56) **References Cited**

U.S. PATENT DOCUMENTS

- 1,571,016 A * 1/1926 Lesser A41D 1/08
2/228
- D226,643 S * 4/1973 Cooper 2/234
- D255,168 S * 6/1980 Taylor D2/742
- 6,161,223 A * 12/2000 Andrews A41D 1/065
2/227
- D485,049 S * 1/2004 Newson D2/742

- D598,180 S * 8/2009 Fu D2/742
- D616,630 S * 6/2010 Christiansen D2/742
- D630,415 S * 1/2011 Nunn D2/742
- D680,299 S * 4/2013 Scott D2/742
- D731,150 S * 6/2015 Styles D2/742

(Continued)

Primary Examiner — Ian Simmons

Assistant Examiner — Rashida C Walshon

(74) *Attorney, Agent, or Firm* — Holland & Hart LLP

(57) **CLAIM**

The ornamental design for trousers, as shown and described.

DESCRIPTION

FIG. 1 is a front view of the trousers, showing my new design;

FIG. 2 is a rear view of the design illustrated in FIG. 1;

FIG. 3 is a rear view of the design illustrated in FIG. 1 with a zippered panel partially opened;

FIG. 4 is an enlarged fragmentary top and right perspective view of an upper portion of the design illustrated in FIG. 1 with a slit in the waist area of the trousers expanded and the zippered panel opened;

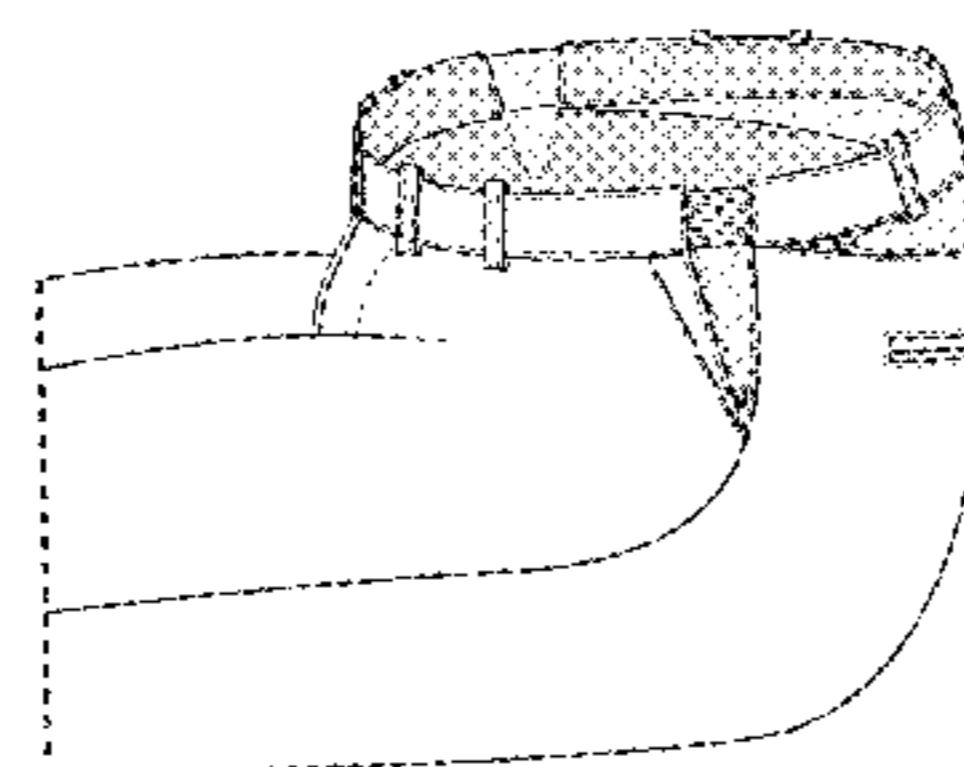
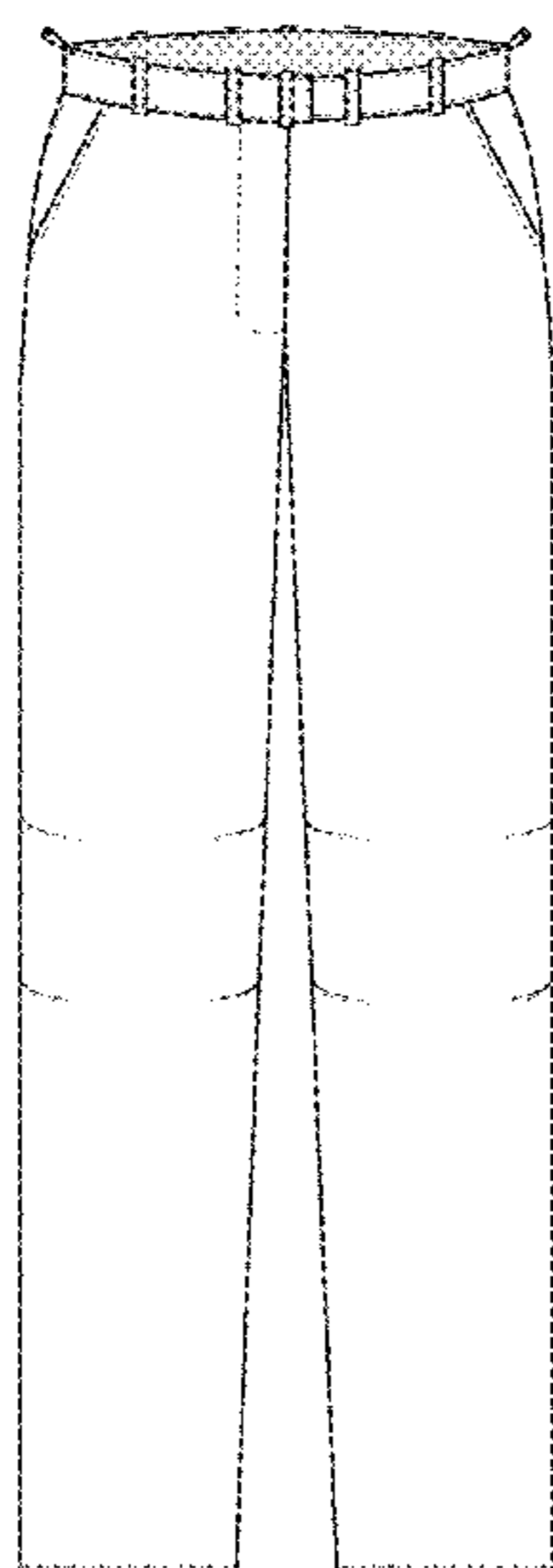
FIG. 5 is a top perspective view of the design illustrated in FIG. 1 with the slit in the waist area of the trousers closed and the zippered panel closed, the left side view being identical; and,

FIG. 6 is a top and right side perspective view of the seign illustrated in FIG. 1 with the slit in the waist area of the trousers expanded and the zippered panel opened, the left side view being identical.

The tonal grey shaded portions on the inside of the trousers and on the side gusset of the trousers are to provide contrast only and do not indicate a color or a type of material of the claimed design.

The small evenly spaced dotted lines on the pants represent claimed stitching. The broken line at the end of the legs in FIG. 4 represent a symbolic break for the fragmentary view and forms no part of the claimed design.

1 Claim, 6 Drawing Sheets



(56)

References Cited

U.S. PATENT DOCUMENTS

D734,000 S * 7/2015 Boyle D2/742
2002/0138895 A1 * 10/2002 Tajima A41F 9/025
2/237

* cited by examiner

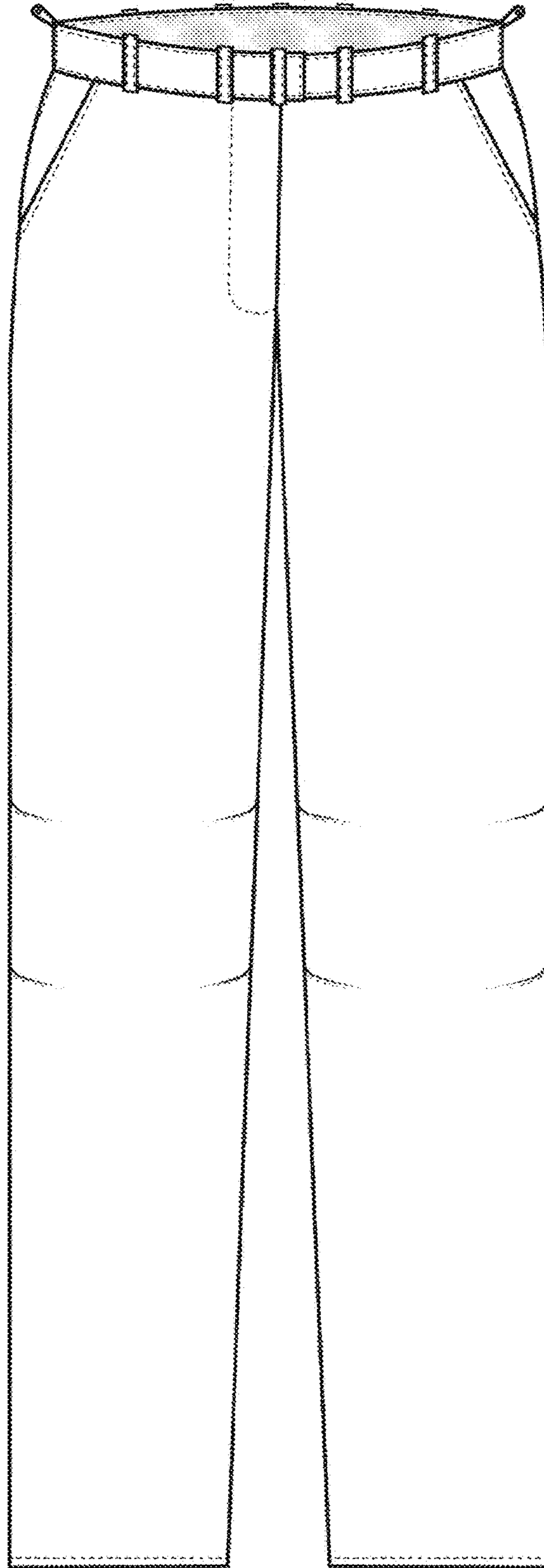


FIG. 1

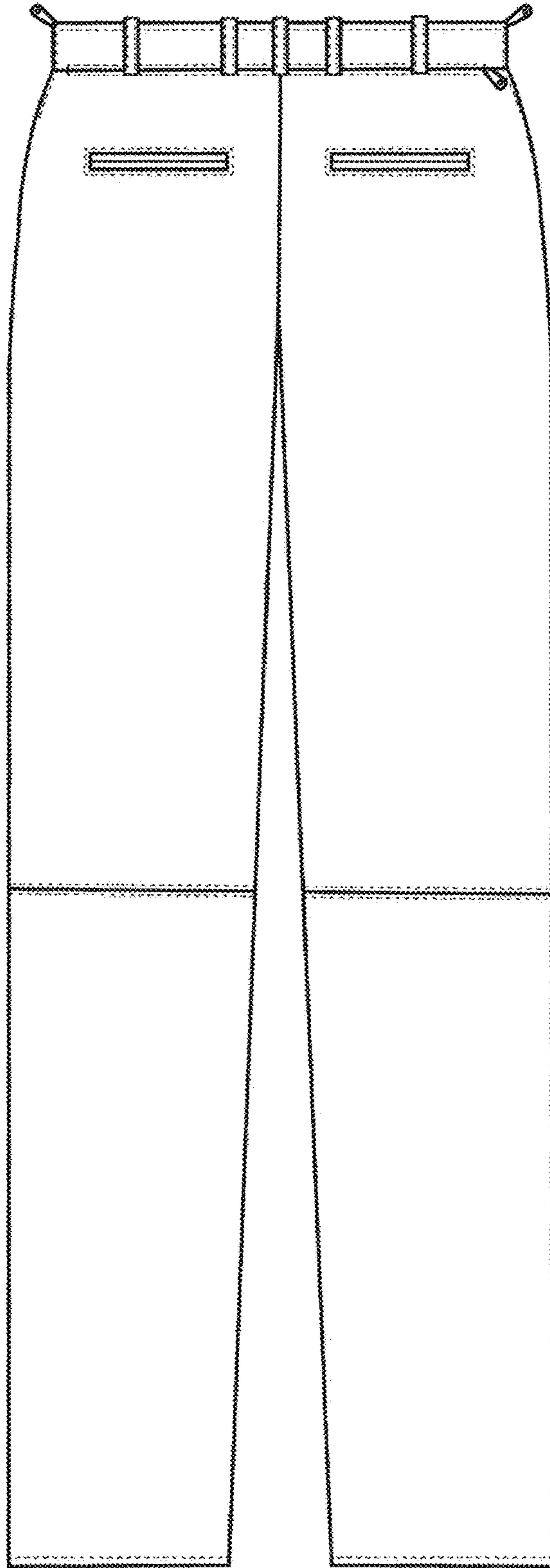


FIG. 2

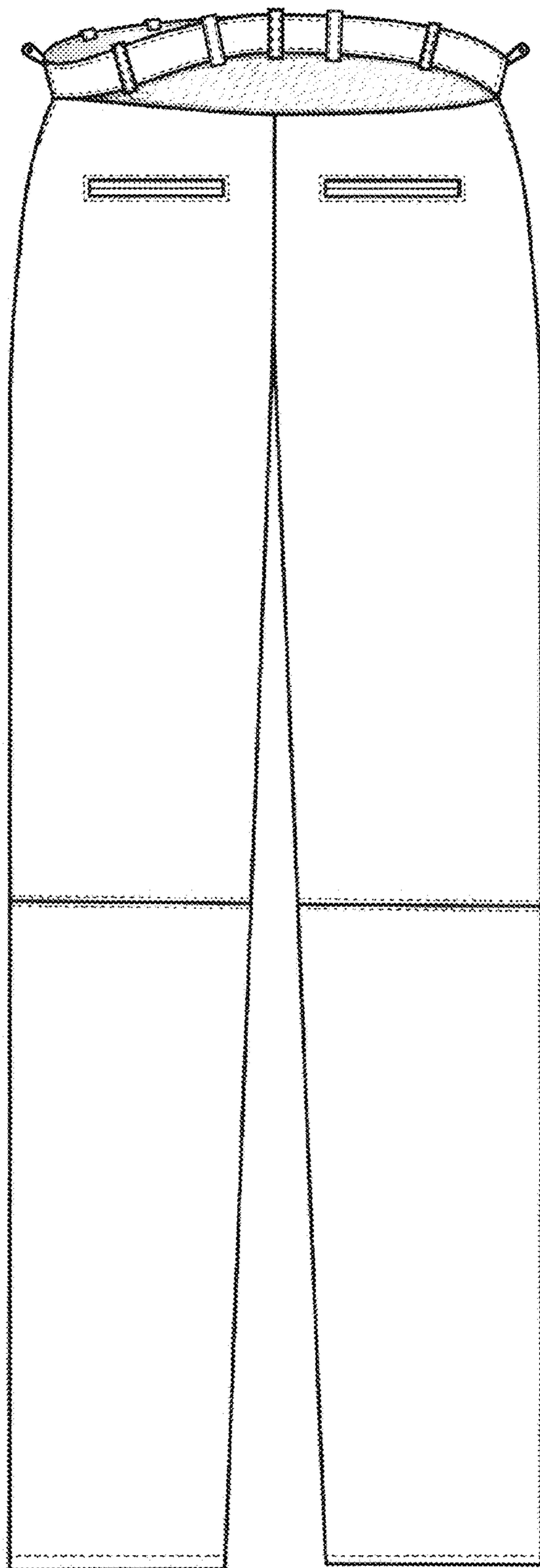


FIG. 3

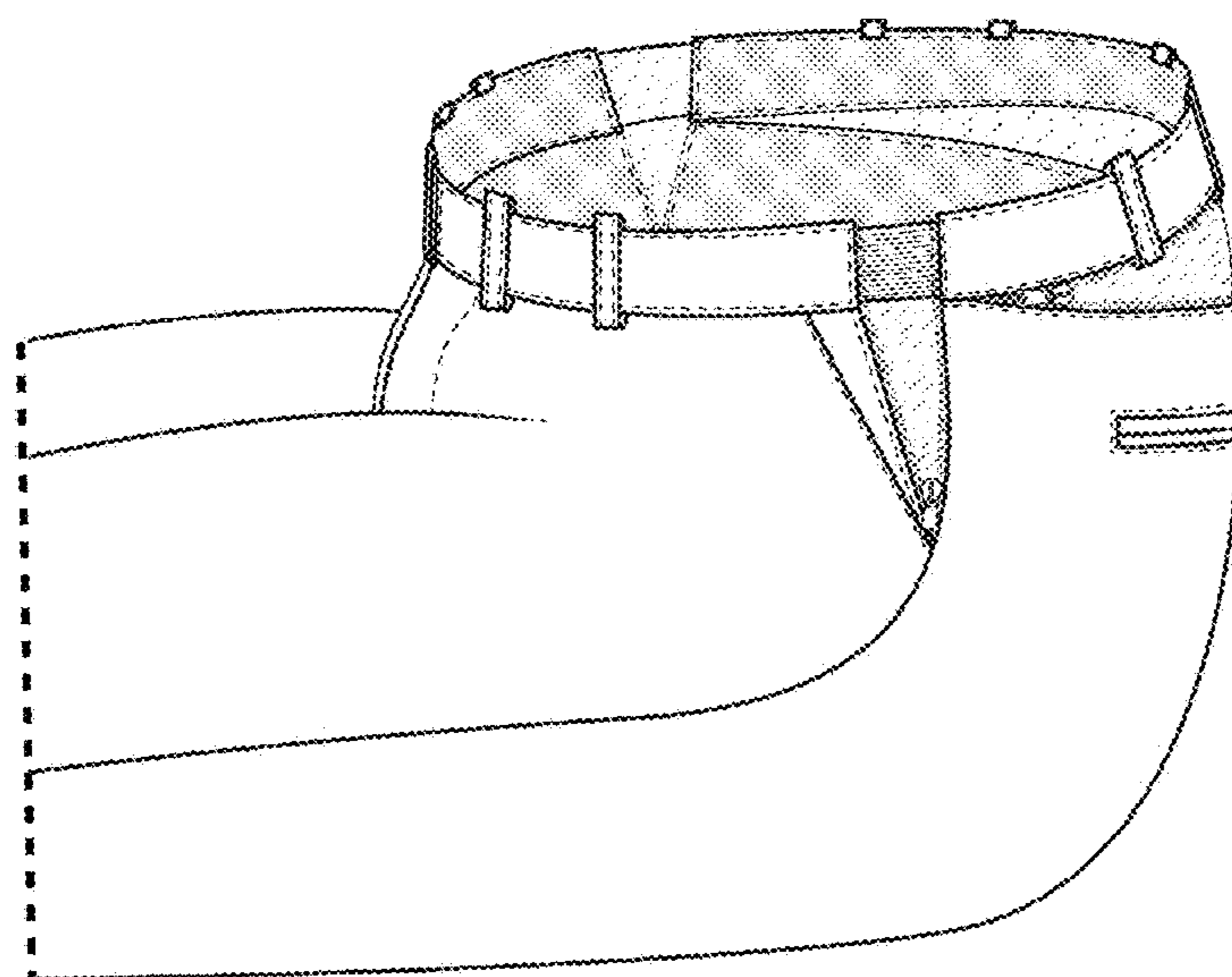


FIG. 4

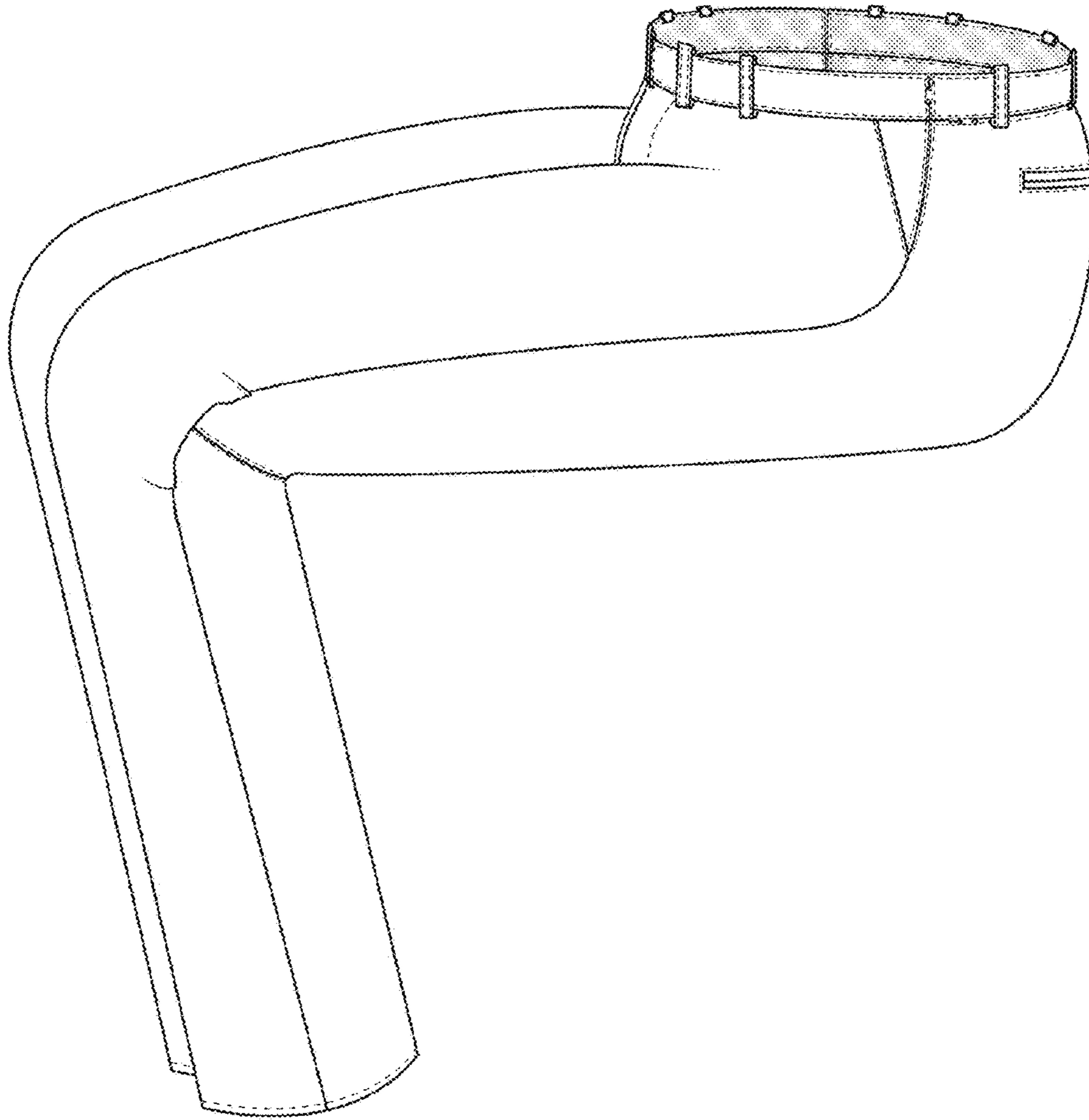


FIG. 5

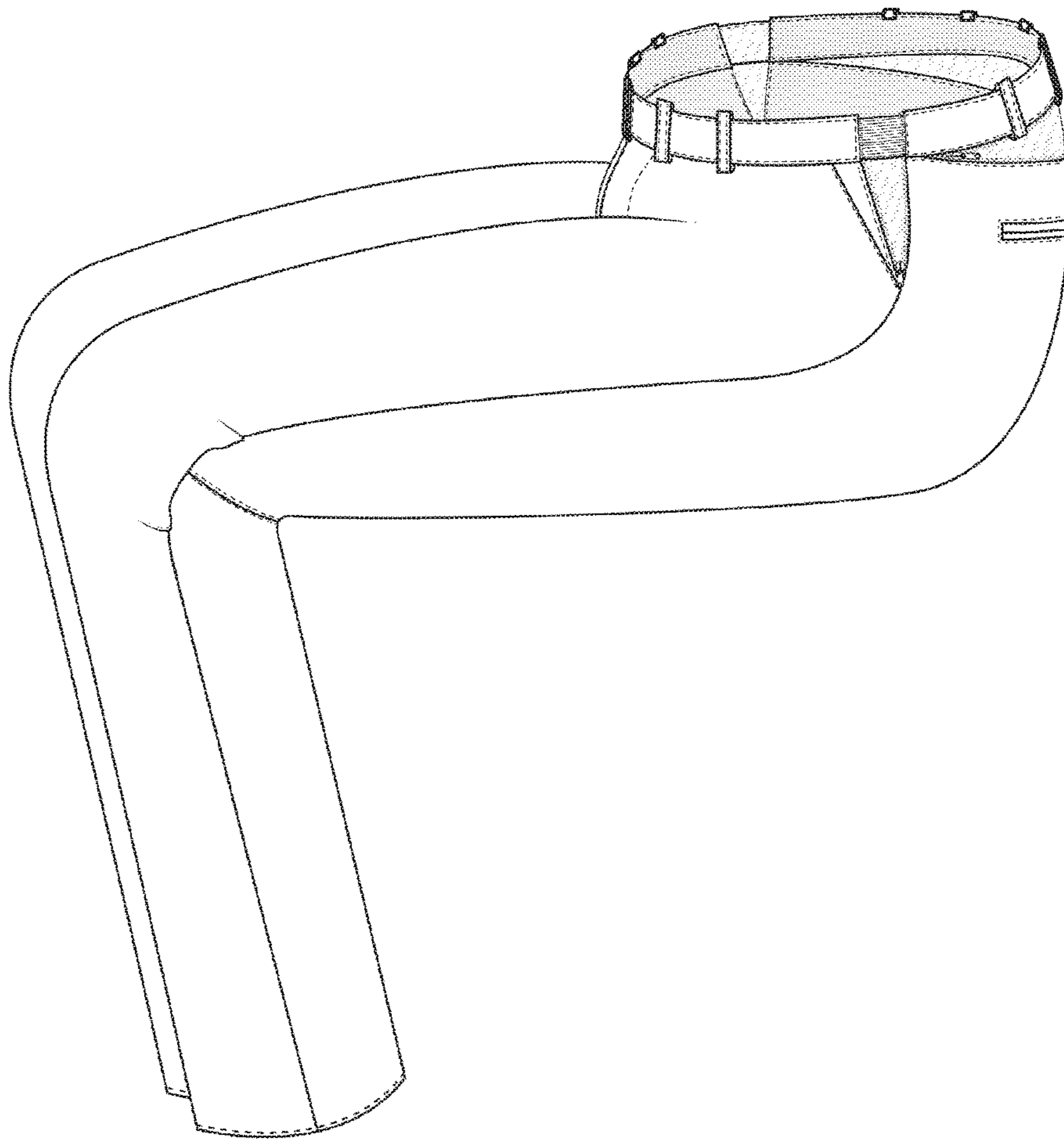


FIG. 6