



US00D784649S

(12) **United States Design Patent** (10) **Patent No.:** **US D784,649 S**
Gamez et al. (45) **Date of Patent:** **** Apr. 18, 2017**

(54) **SECURE BARREL PALLET**
(71) Applicants: **Pete Gamez**, Pleasanton, CA (US); **Tim Hunt**, Pleasanton, CA (US)
(72) Inventors: **Pete Gamez**, Pleasanton, CA (US); **Tim Hunt**, Pleasanton, CA (US)
(**) Term: **15 Years**

3,677,436 A 7/1972 Danielson
3,834,323 A 9/1974 Weinmann
5,636,753 A 6/1997 Wilkinson et al.
D757,549 S * 5/2016 Kuo D9/432
D766,539 S * 9/2016 Lee D34/38
D774,721 S * 12/2016 Gamez D34/38
2010/0251940 A1 10/2010 Jones et al.
2013/0206043 A1* 8/2013 Baltz B65D 19/0004
108/57.13
2014/0265194 A1 9/2014 Gwin
* cited by examiner

(21) Appl. No.: **29/550,968**
(22) Filed: **Jan. 8, 2016**
(51) **LOC (10) Cl.** **09-08**
(52) **U.S. Cl.**
USPC **D34/38**
(58) **Field of Classification Search**
USPC D34/38; 108/51.11, 52.1, 53.1, 55.1,
108/55.3, 55.5, 57.13, 53.3, 53.5, 56.1,
108/57.14, 57.16, 901, 57.25, 54, 57.28;
206/506, 507, 509, 386, 597, 599, 600,
206/595, 391; 220/23.24, 23.6
CPC B65D 2519/00273; B65D 2519/00293;
B65D 2519/00034; B65D 2519/00069;
B65D 2519/00323; B65D 2519/00288;
B65D 2519/00318; B65D 2519/00567;
B65D 2519/00104; B65D 19/0004
See application file for complete search history.

Primary Examiner — Cynthia Ramirez
(74) *Attorney, Agent, or Firm* — Robert C. Montgomery;
Montgomery Patent & Design, LP.

(57) **CLAIM**

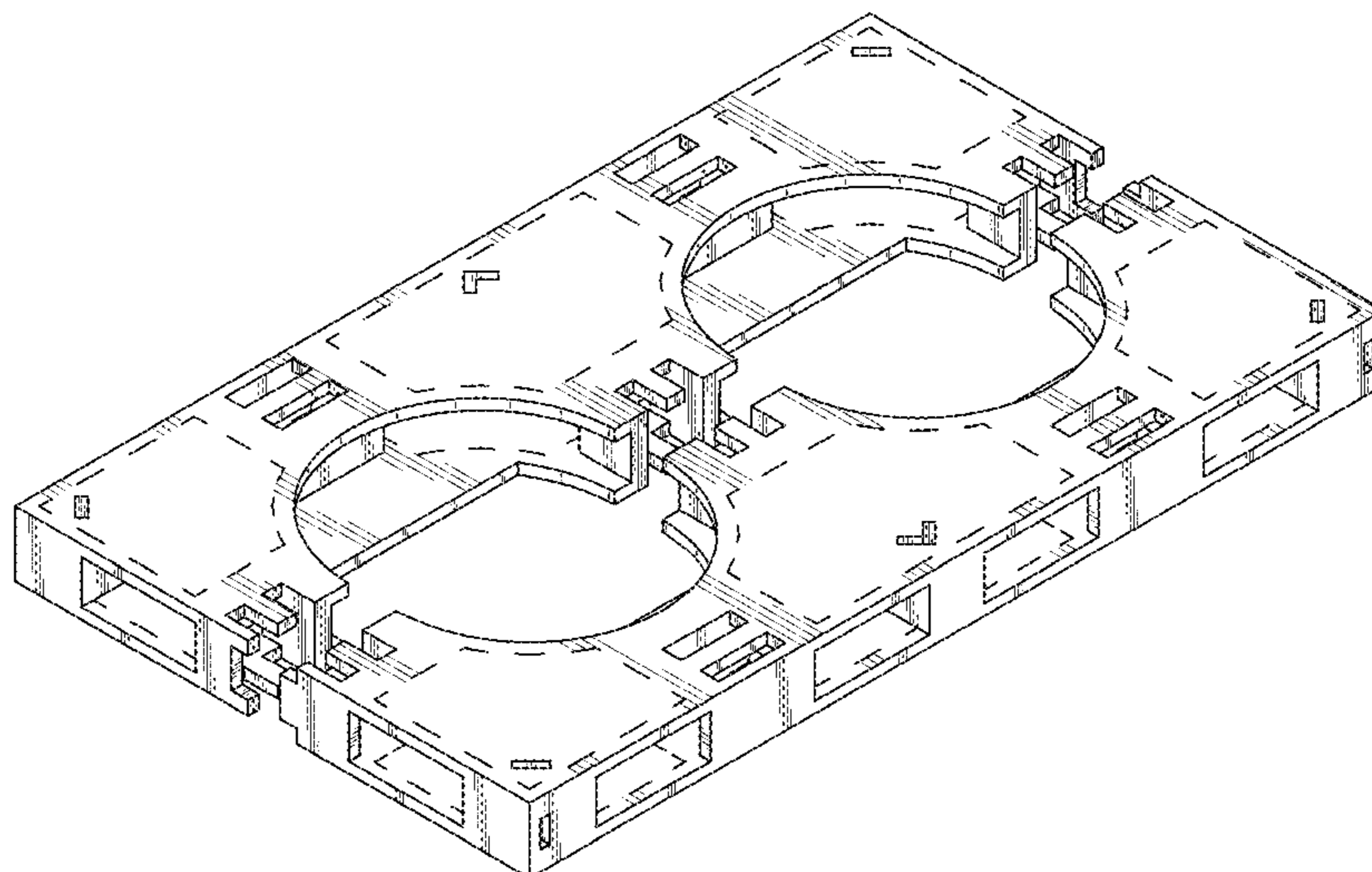
The ornamental design for a secure barrel pallet, as shown and described.

DESCRIPTION

FIG. 1 is a perspective top side view of both halves of a secure barrel pallet, showing our new design; FIG. 2 is a rear elevation view of a first half; FIG. 3 is a front elevation view of the first half; FIG. 4 is a left side elevation view of the first half; FIG. 5 is a right side elevation view of the first half; FIG. 6 is a top plan view of the first half; FIG. 7 is a bottom plan view of the first half; FIG. 8 is a rear elevation view of a second half; FIG. 9 is a front elevation view of the second half; FIG. 10 is a left side elevation view of the second half; FIG. 11 is a right side elevation view of the second half; FIG. 12 is a top side view of the second half; and, FIG. 13 is a bottom plan view of the second half. The broken lines represent boundary areas and form no part of the claimed design. The first half and the second half of the secure barrel pallet are being shown separated in FIGS. 2 through 13 for clarity of disclosure.

(56) **References Cited**
U.S. PATENT DOCUMENTS
3,096,555 A * 7/1963 Gannaway B28B 21/74
411/389
3,164,252 A * 1/1965 Hosbein B65D 71/0092
206/391
3,446,394 A 5/1969 Miller et al.
3,521,777 A 7/1970 Vik
3,563,184 A * 2/1971 Angelbeck, Jr. ... B65D 19/0014
108/53.1
3,654,875 A * 4/1972 Vik B65D 19/44
108/53.1

1 Claim, 5 Drawing Sheets



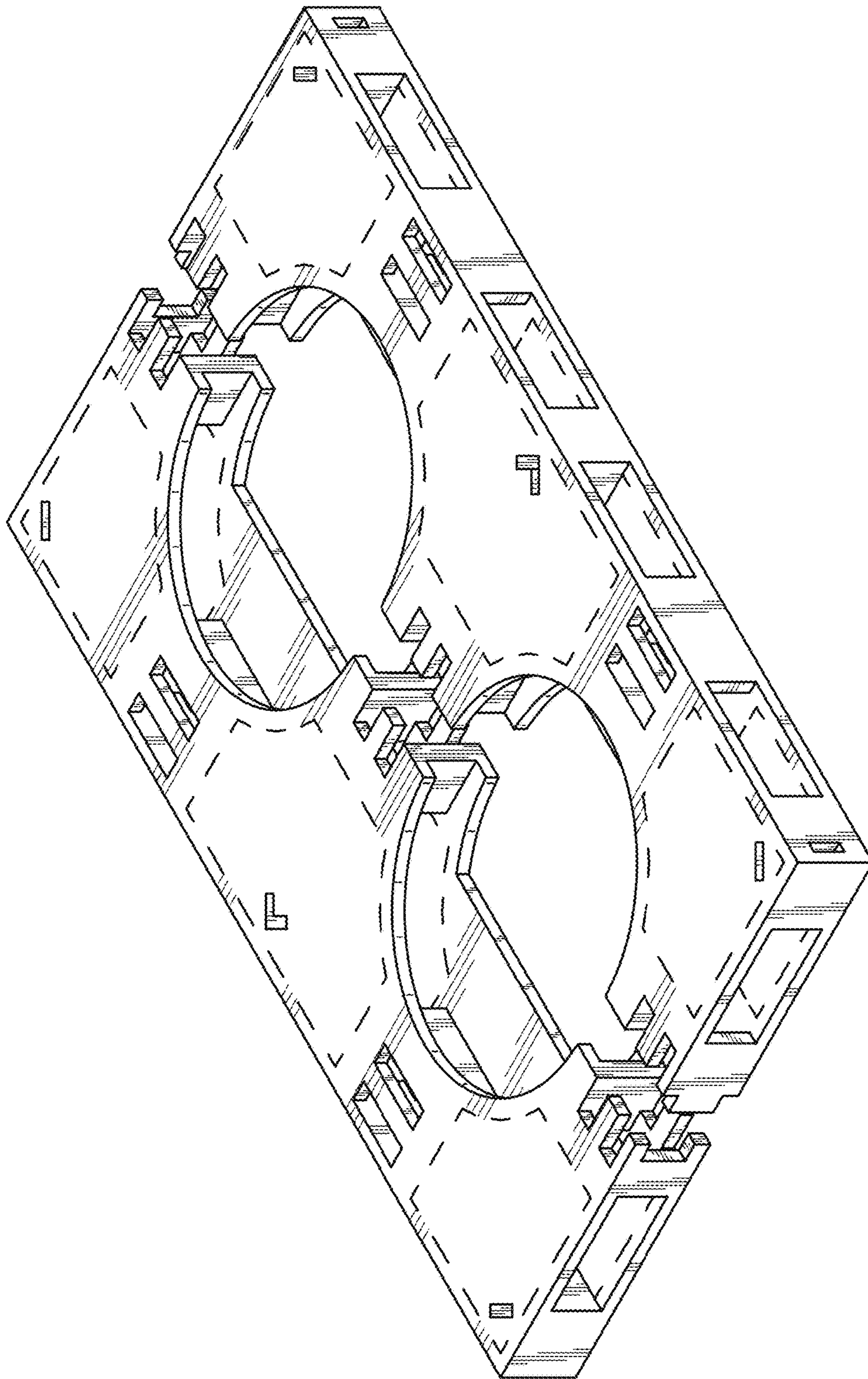


FIG. 1

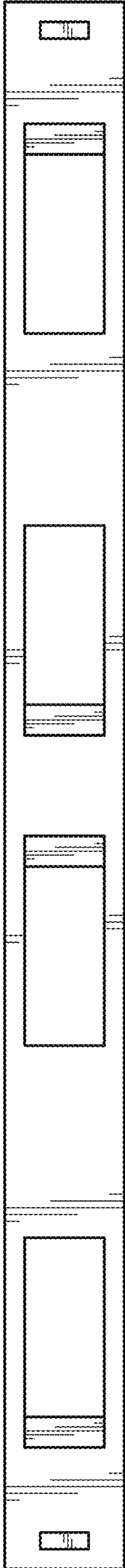


FIG. 2

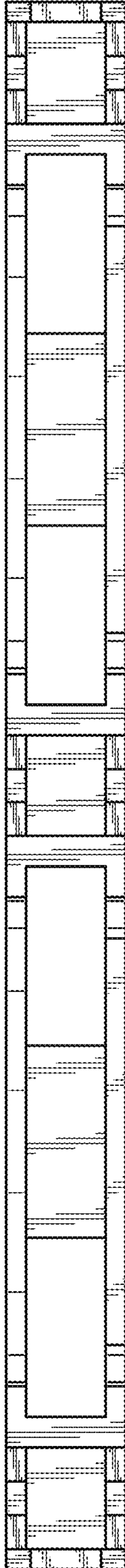


FIG. 3



FIG. 4

FIG. 5

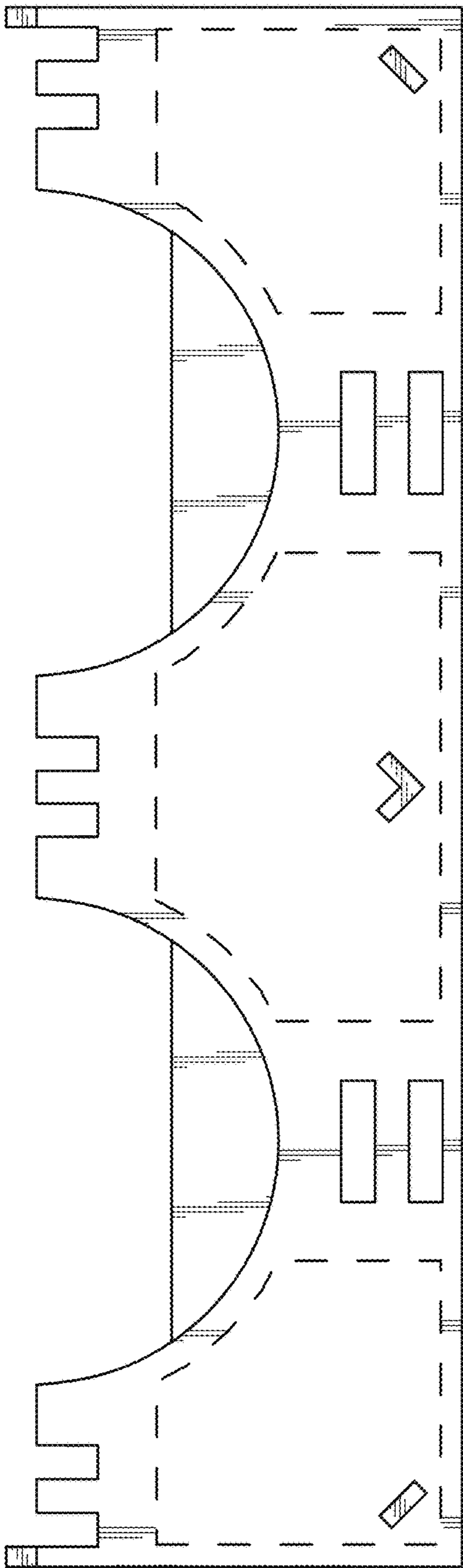


FIG. 6

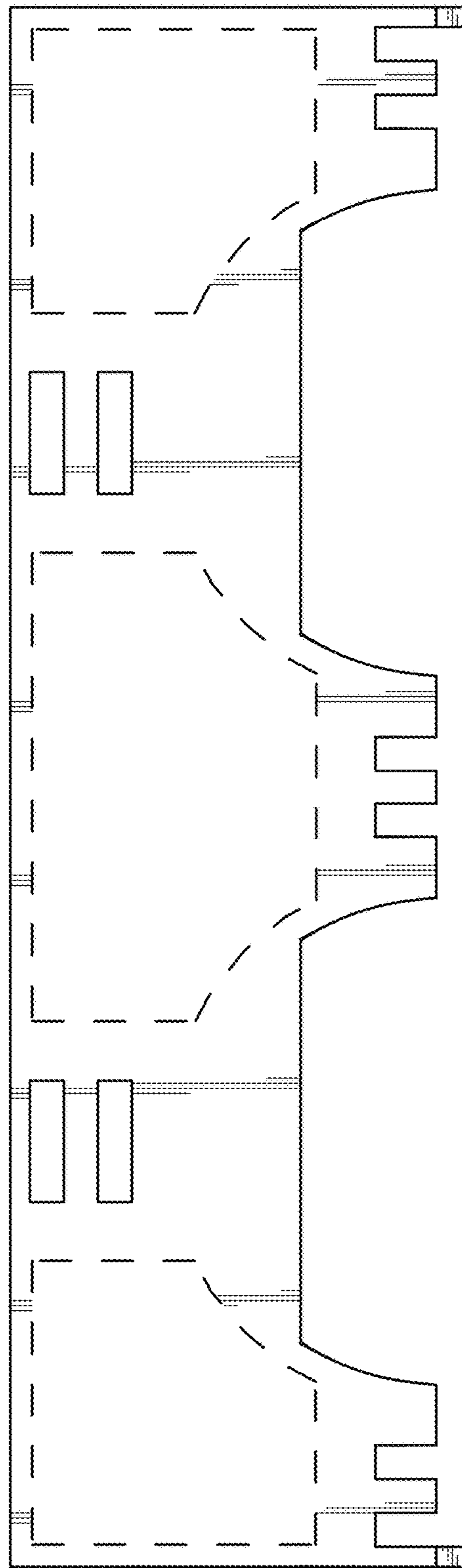


FIG. 7

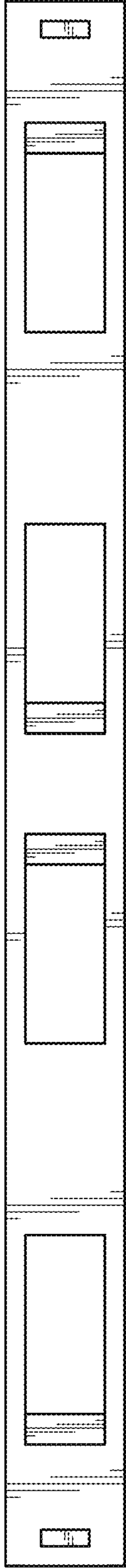


FIG. 8

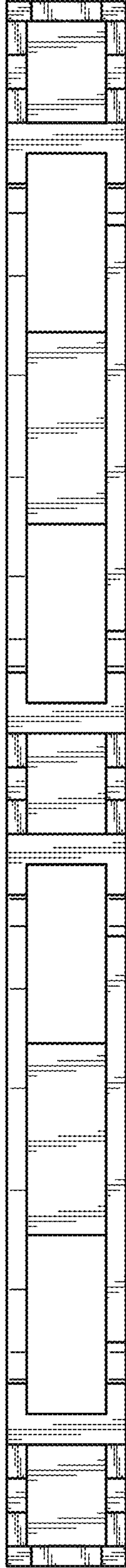


FIG. 9

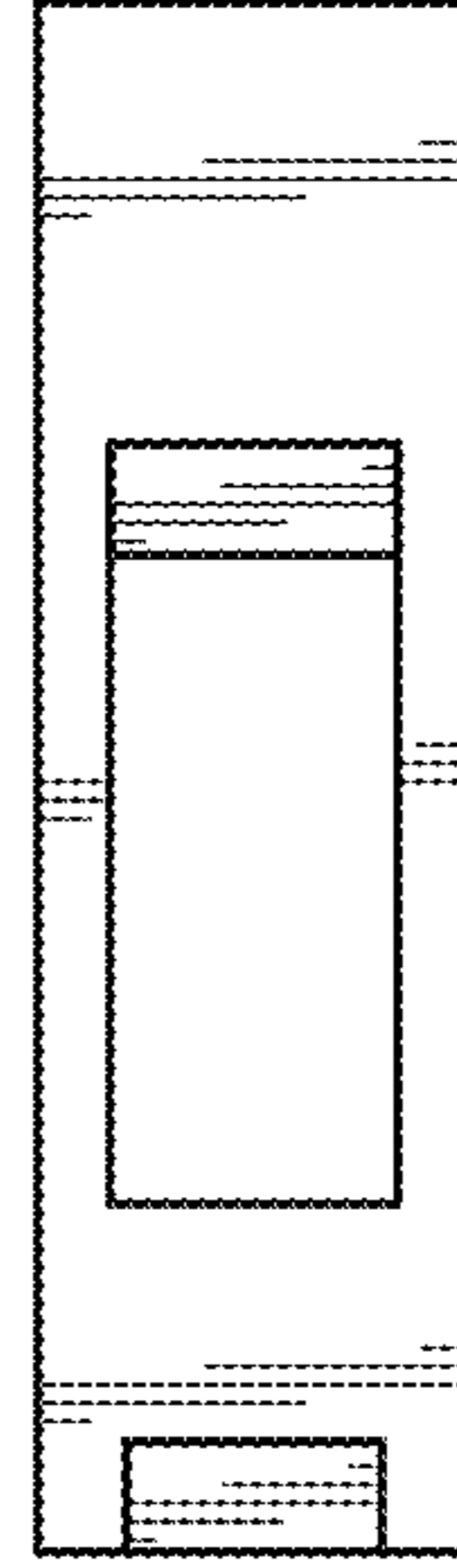


FIG. 11

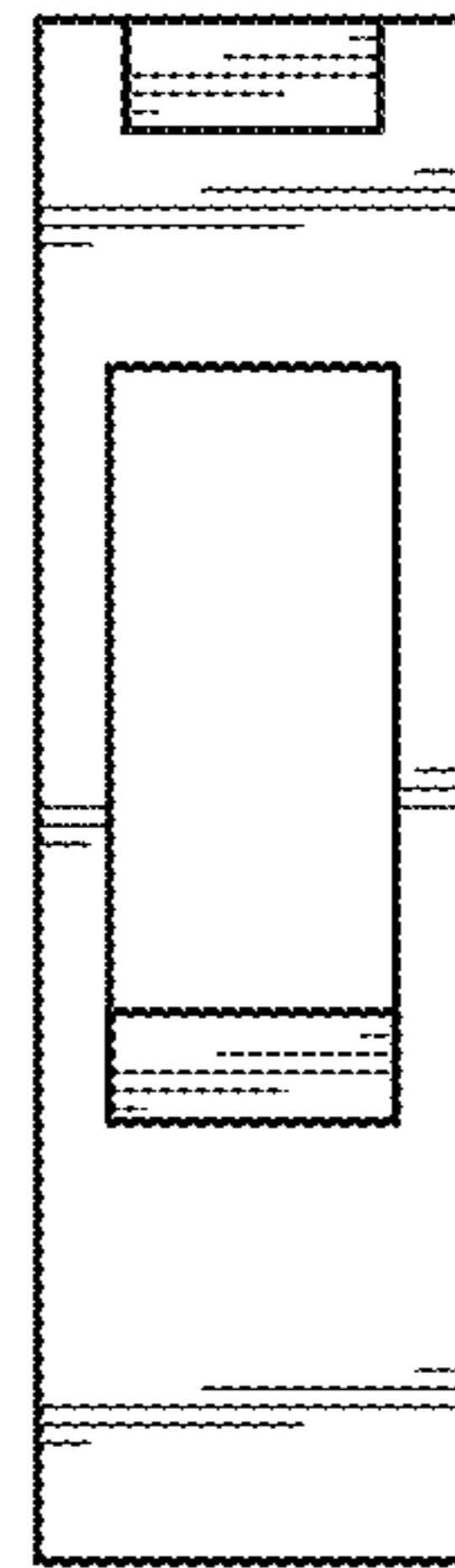


FIG. 10

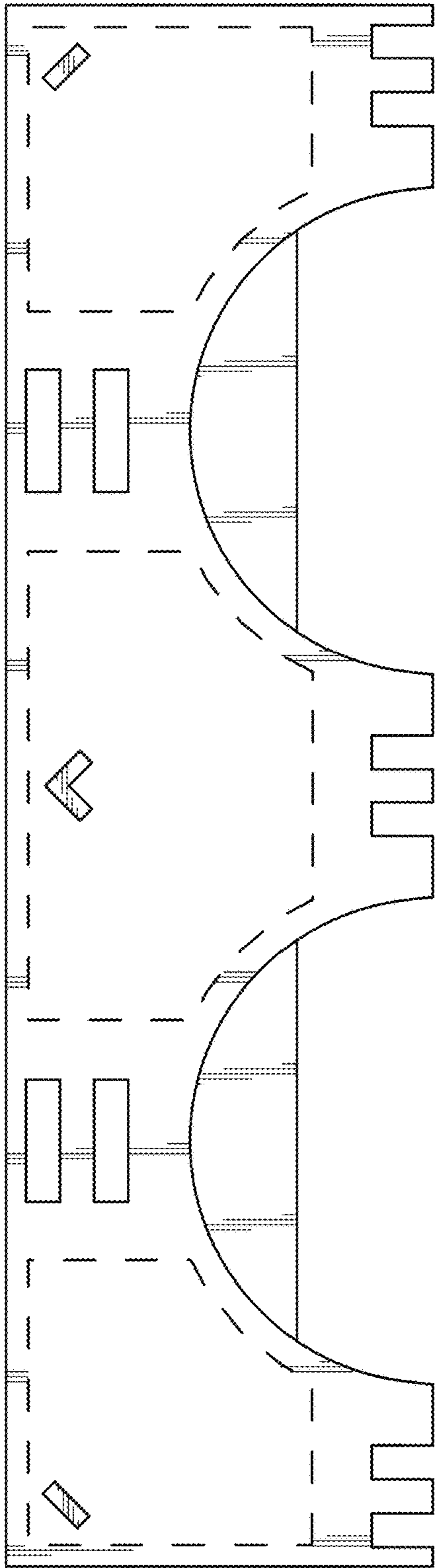


FIG. 12

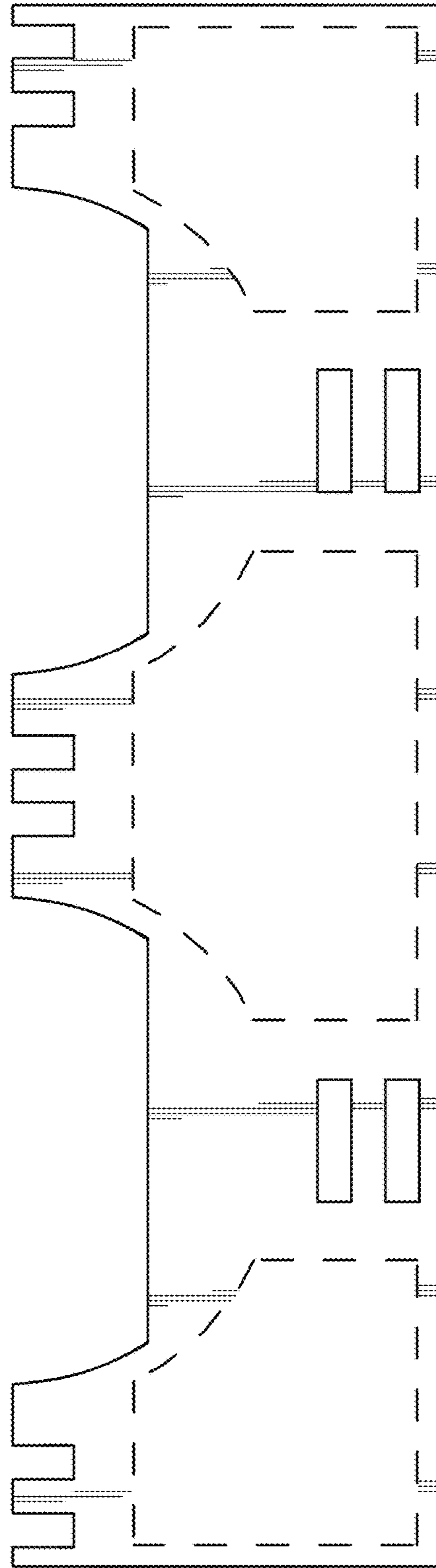


FIG. 13