



US00D784648S

(12) **United States Design Patent**
Warner

(10) **Patent No.:** **US D784,648 S**

(45) **Date of Patent:** **** Apr. 18, 2017**

(54) **DOLLING PLATE FOR PALLET JACK**

(71) Applicant: **Samuel Jerome Warner**, Manor, TX
(US)

(72) Inventor: **Samuel Jerome Warner**, Manor, TX
(US)

(73) Assignee: **Samuel Jerome Warner**, Manor, TX
(US)

(**) Term: **15 Years**

(21) Appl. No.: **29/530,211**

(22) Filed: **Jun. 15, 2015**

(51) **LOC (10) Cl.** **12-05**

(52) **U.S. Cl.**
USPC **D34/35**

(58) **Field of Classification Search**
USPC D34/34, 35; 280/43.12, 43.11, 43.2,
280/43.21, 43.17; 187/222, 282, 223, 394
CPC .. B60P 1/00; B60P 1/268; B60P 1/006; B60P
1/16; B60P 1/022; B60P 1/4457
See application file for complete search history.

(56) **References Cited**

U.S. PATENT DOCUMENTS

2,610,751	A *	9/1952	Bevan	B66F 9/12 108/52.1
2,763,389	A *	9/1956	Heidenrich	B62D 49/007 280/43.24
4,274,644	A *	6/1981	Taylor	B62B 3/02 280/39
4,458,906	A *	7/1984	Lamson	B62B 3/00 280/47.34
D312,716	S *	12/1990	Stephens, III	D34/12
D337,410	S *	7/1993	Jones	D12/14
D340,334	S *	10/1993	Kean	D34/17

D340,335	S *	10/1993	Kean	D34/17
D404,871	S *	1/1999	Golichowski	D34/17
6,024,376	A *	2/2000	Golichowski	B62B 3/022 16/35 R
D523,201	S *	6/2006	Widmer	D34/12
7,281,737	B2 *	10/2007	Ellis	B60P 1/00 224/403
D570,068	S *	5/2008	Dukes	D34/17
D618,422	S *	6/2010	Catron	D34/27
9,002,557	B2 *	4/2015	Goncalves	B66F 9/24 414/635
9,376,299	B2 *	6/2016	Hoffman	B66F 9/24
9,434,292	B2 *	9/2016	Welch	B62D 25/2054
2003/0205873	A1 *	11/2003	Orozco	B60B 33/0002 280/33.991

* cited by examiner

Primary Examiner — Cynthia Ramirez

(74) *Attorney, Agent, or Firm* — Samuel Jerome Warner

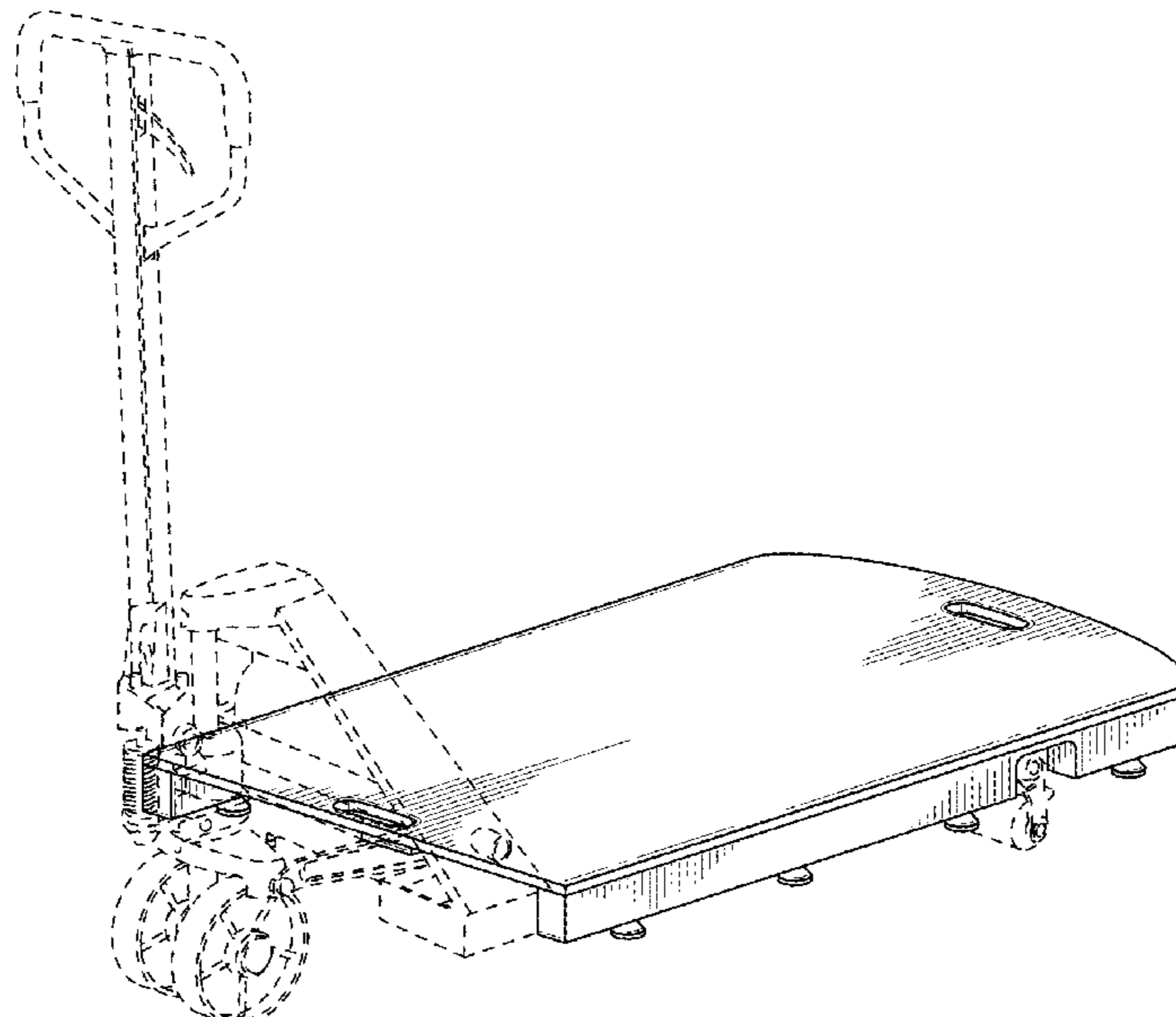
(57) **CLAIM**

I claim the ornamental design for a dolling plate for pallet jack, as shown and described.

DESCRIPTION

FIG. 1 is a perspective view of a dolling plate for pallet jack, showing my new design in-use with a pallet jack;
FIG. 2 is a perspective view thereof, illustrated with the pallet jack omitted.
FIG. 3 is a front elevational view thereof;
FIG. 4 is a rear elevational view thereof;
FIG. 5 is a left-side elevational view thereof, the right-side elevational view being a mirror image thereof;
FIG. 6 is a top plan view thereof; and,
FIG. 7 is a bottom plan view thereof.
The broken lines showing a pallet jack in FIG. 1 depict environmental matter and form no part of the claimed design.

1 Claim, 3 Drawing Sheets



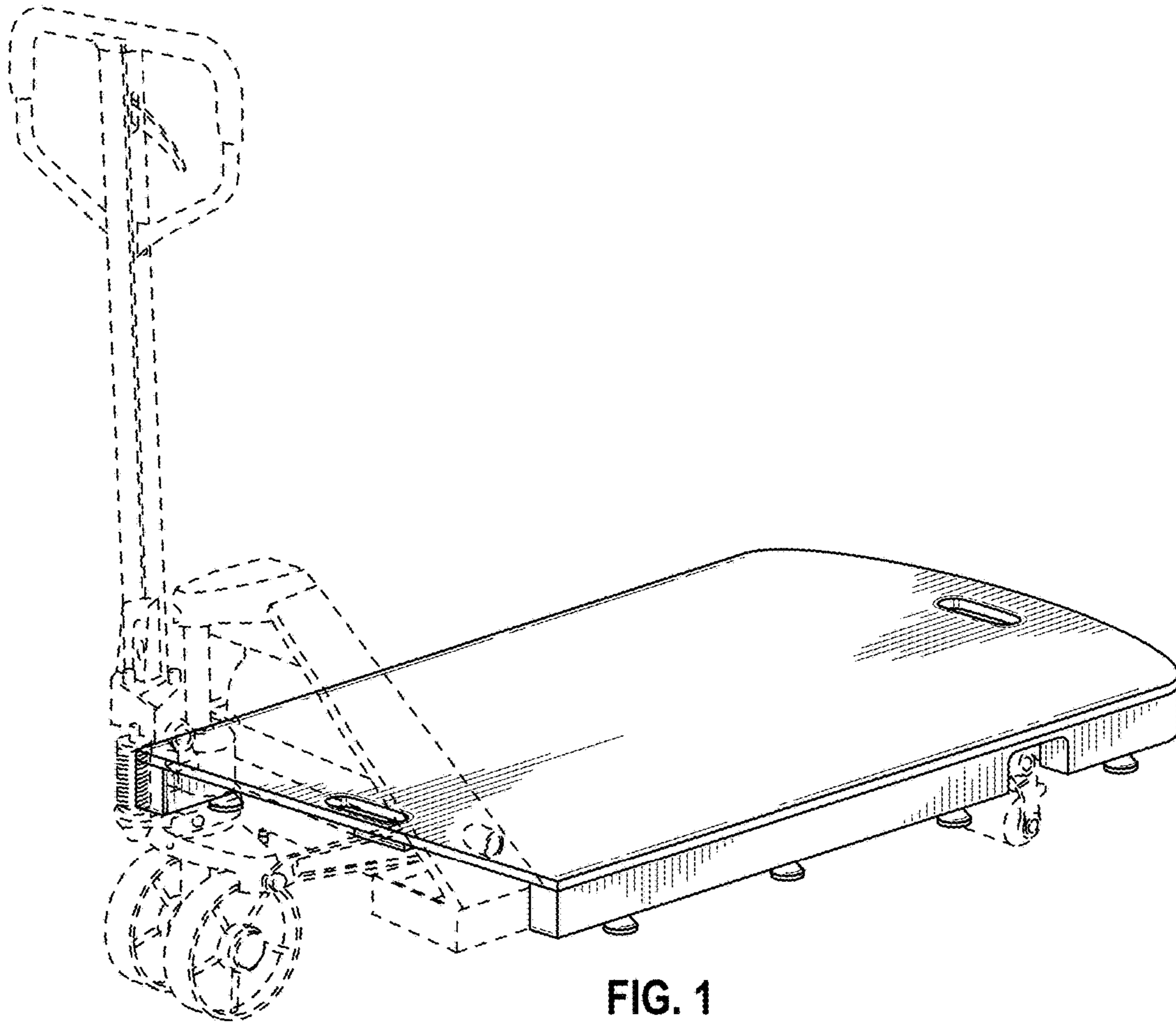


FIG. 1

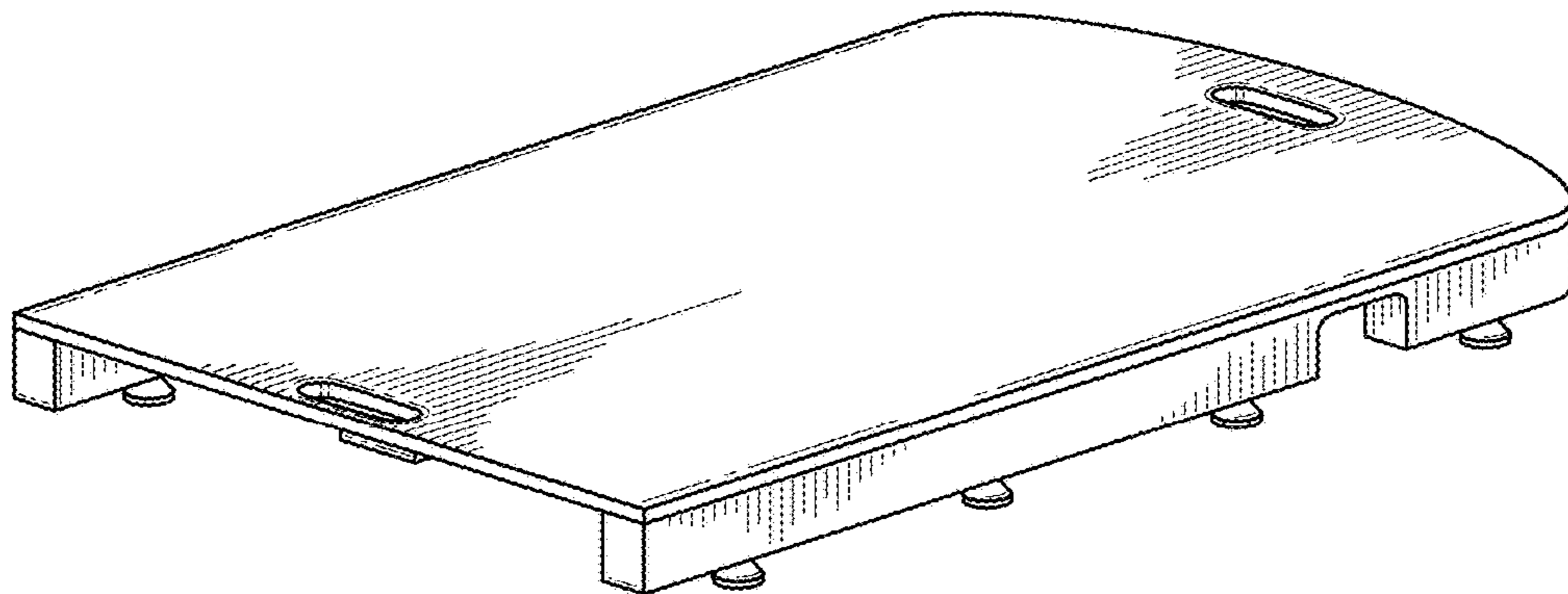


FIG. 2

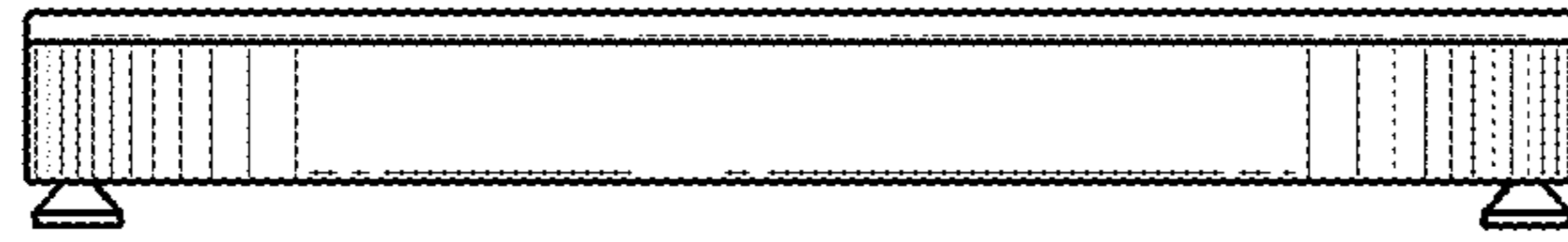


FIG. 3

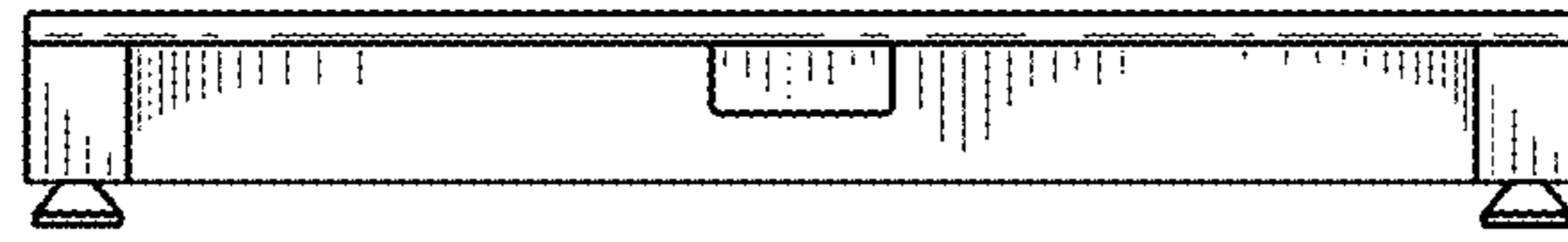


FIG. 4

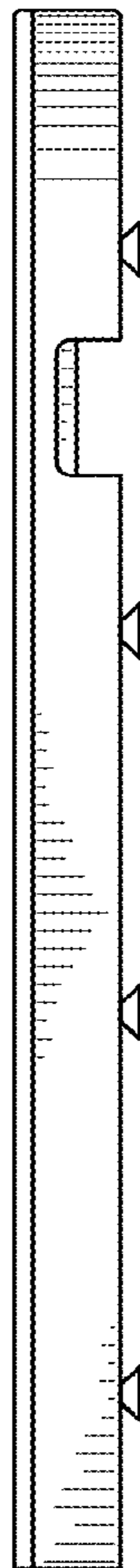


FIG. 5

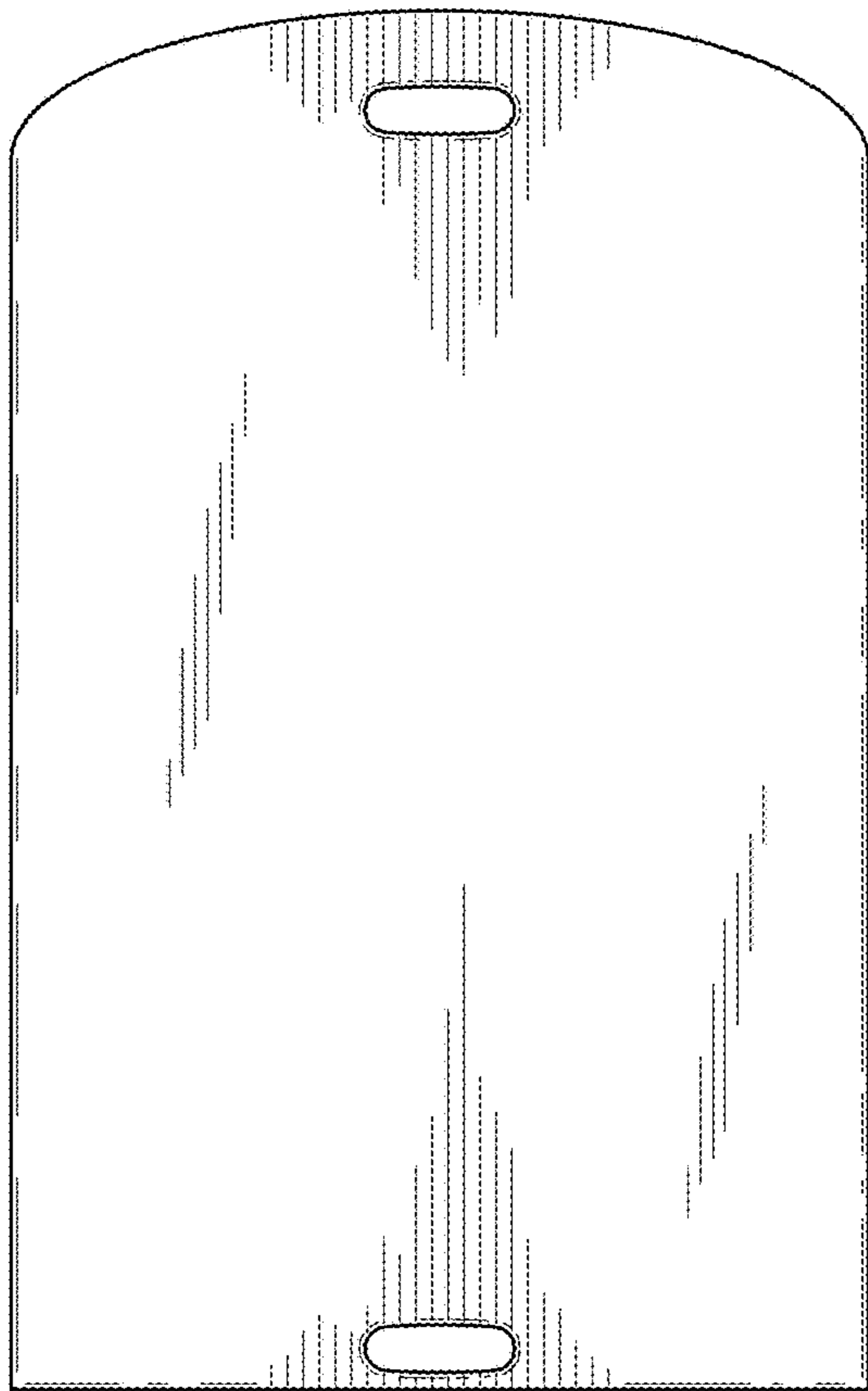


FIG. 6

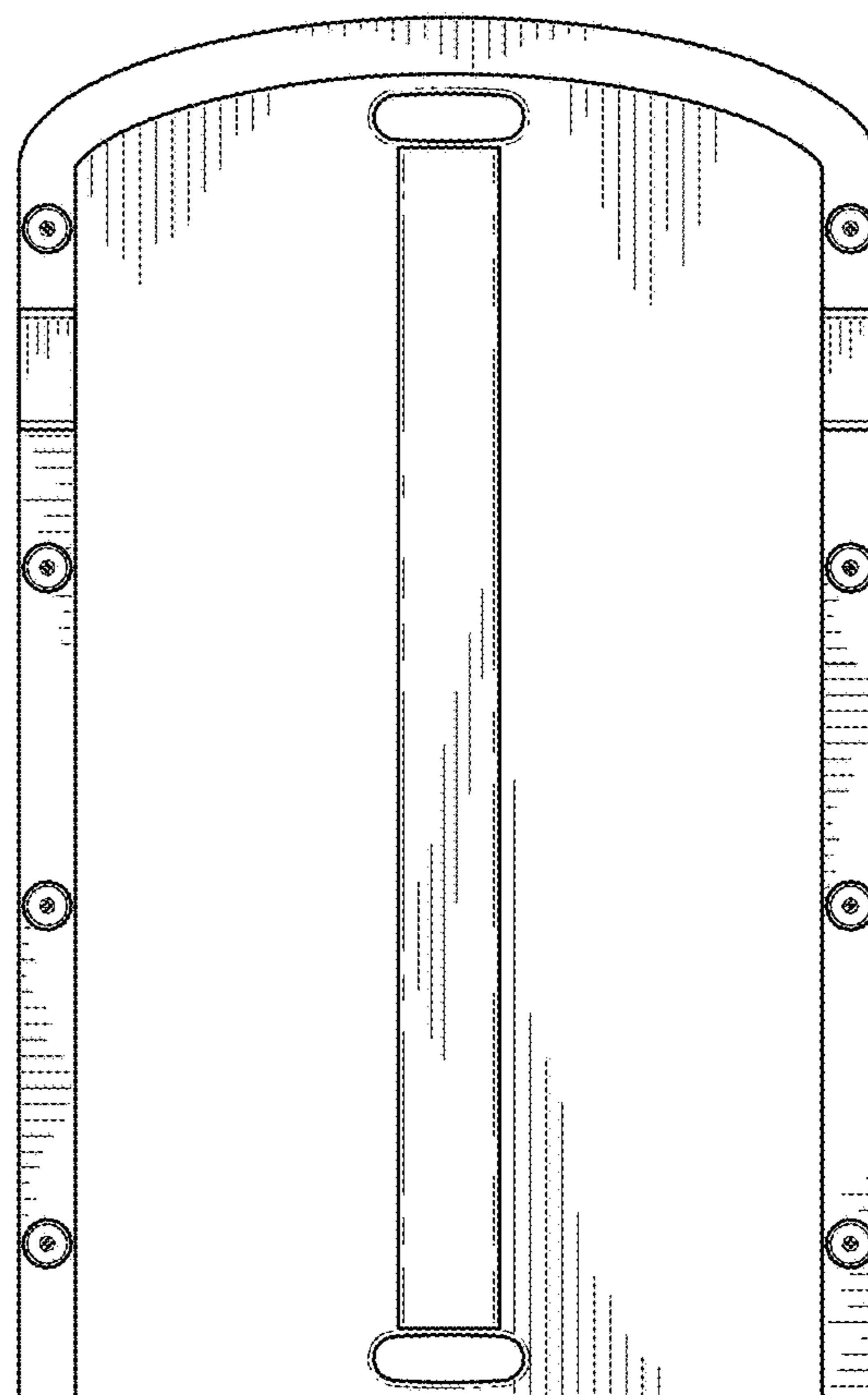


FIG. 7