



US00D784646S

(12) **United States Design Patent**
Baker

(10) **Patent No.:** **US D784,646 S**

(45) **Date of Patent:** **** Apr. 18, 2017**

(54) **DUST PAN**

(71) Applicant: **Donald A. Baker**, Huntington Beach,
CA (US)

(72) Inventor: **Donald A. Baker**, Huntington Beach,
CA (US)

(**) Term: **15 Years**

(21) Appl. No.: **29/570,021**

(22) Filed: **Jul. 1, 2016**

Related U.S. Application Data

(63) Continuation of application No. 14/545,932, filed on
Jul. 9, 2015, now Pat. No. 9,386,901.

(51) **LOC (10) Cl.** **07-05**

(52) **U.S. Cl.**

USPC **D32/74**

(58) **Field of Classification Search**

USPC D32/74, 41; D30/162; D7/691, 688;
D4/116; 15/257.5, 257.3, 257.2, 257.1;
134/6

CPC A47L 13/52; A47L 13/51; A46B 15/00;
A46B 15/0097; A46B 15/0095; A46B
17/04; A46B 5/00; A46B 2200/302

See application file for complete search history.

(56) **References Cited**

U.S. PATENT DOCUMENTS

500,826	A	10/1893	Miller	
760,467	A	5/1904	Michaud	
D236,938	S *	9/1975	Bower	D32/74
4,361,245	A	11/1982	Allen	
4,572,560	A	2/1986	Grandlouis	
5,513,883	A	5/1996	Segla	
D383,002	S *	9/1997	Rigney	D32/74
5,894,096	A	4/1999	Kotraba	

D441,933	S *	5/2001	Savage	D32/74
6,641,188	B2	11/2003	Arceo	
6,643,892	B1	11/2003	Murphy	
6,732,402	B1	5/2004	Hsu	
6,736,436	B1	5/2004	Tsou	
D545,022	S *	6/2007	Morad	D32/74
7,404,229	B2	7/2008	Monahan et al.	
D599,073	S *	8/2009	Caleca	D32/74

(Continued)

OTHER PUBLICATIONS

U.S. Appl. No. 15/544,602, filed Jan. 23, 2015, Baker.

Primary Examiner — Austin Murphy

(74) *Attorney, Agent, or Firm* — Haynes and Boone, LLP

(57) **CLAIM**

The ornamental design for a dust pan, as shown and described.

DESCRIPTION

FIG. 1 is a front, left, top perspective view of a dust pan embodying our new design, illustrated in a first orientation with a lid of the dust pan in a closed position;

FIG. 2 is a right side view thereof;

FIG. 3 is a left side view thereof;

FIG. 4 is a top plan view thereof;

FIG. 5 is a bottom plan view thereof;

FIG. 6 is a front elevational view thereof;

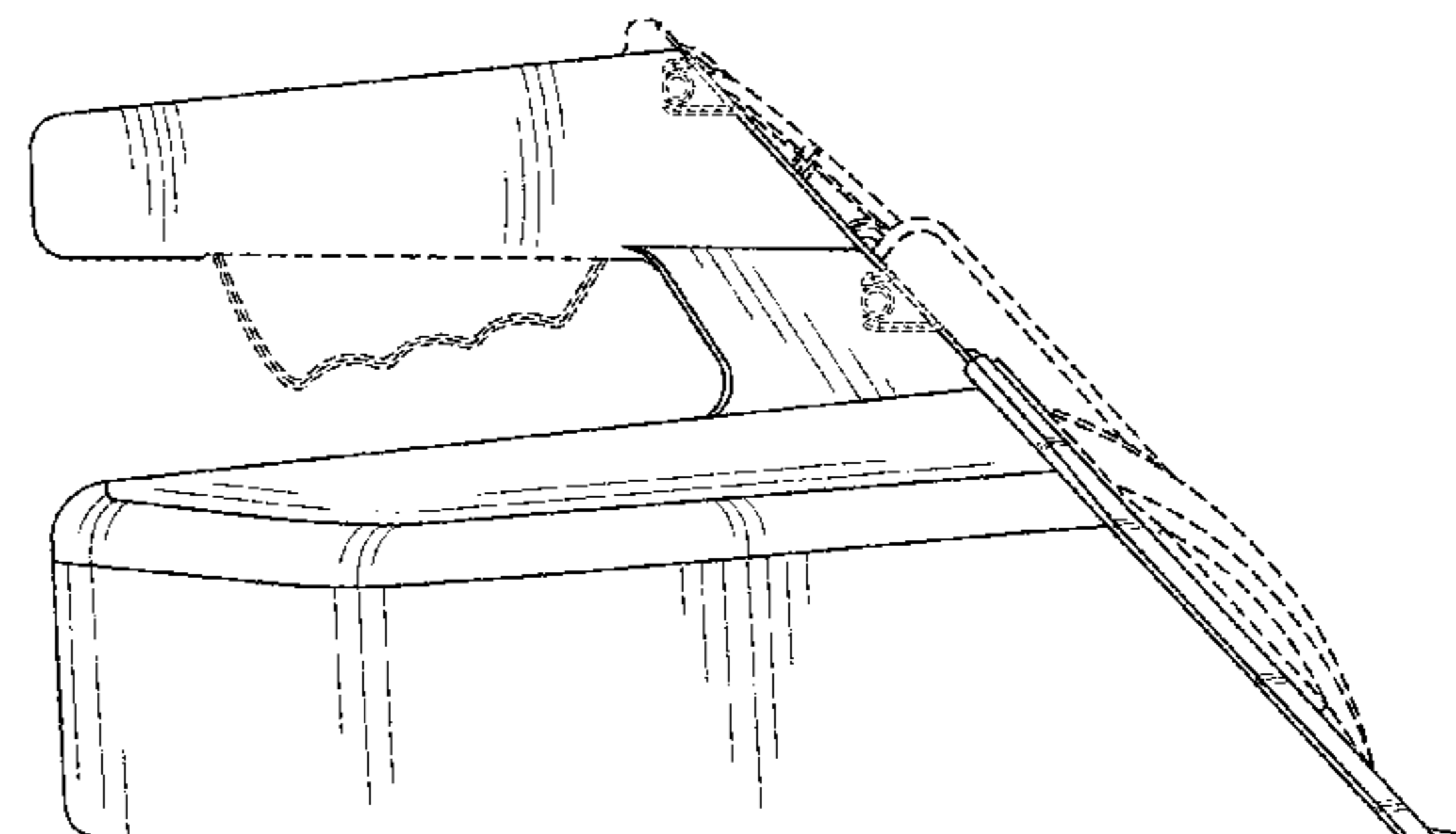
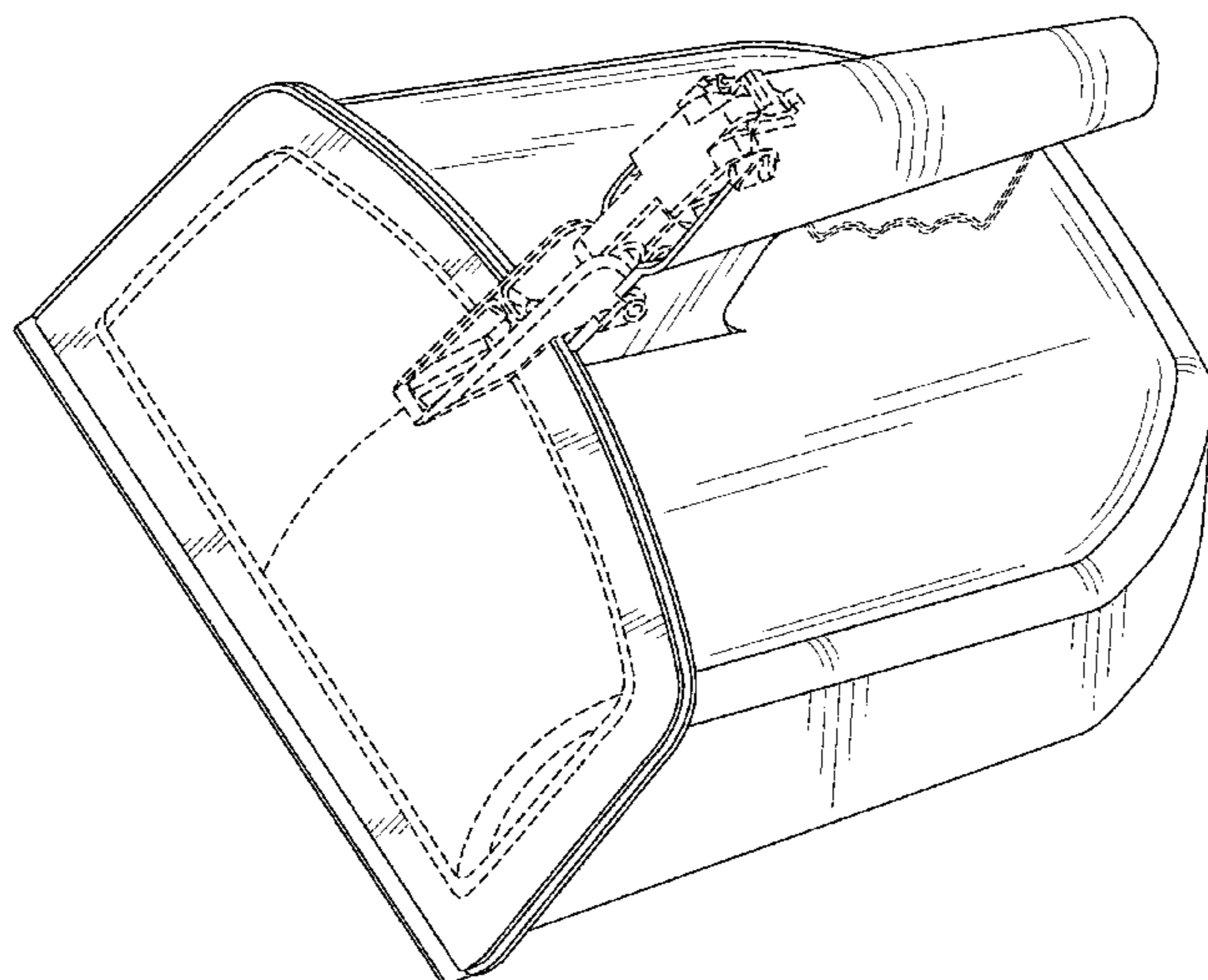
FIG. 7 is a rear elevational view thereof;

FIG. 8 is a rear, left, bottom perspective view thereof; and,

FIG. 9 is a front, right, top perspective view thereof illustrating the dust pan, illustrated in a second orientation with the lid in an opened position.

The broken lines in the figures are shown for the purpose of illustrating portions of the dust pan or environmental matter that form no part of the claimed design.

1 Claim, 9 Drawing Sheets



(56)

References Cited

U.S. PATENT DOCUMENTS

D601,769	S	*	10/2009	Cox	D32/74
D636,139	S	*	4/2011	Jones	D32/74
8,919,708	B1		12/2014	Graves		
D739,107	S	*	9/2015	Brandon	D32/53
D740,508	S	*	10/2015	Brandon	D32/53
D769,563	S	*	10/2016	Garcia	D32/74
2002/0038957	A1		4/2002	Harrison		

* cited by examiner

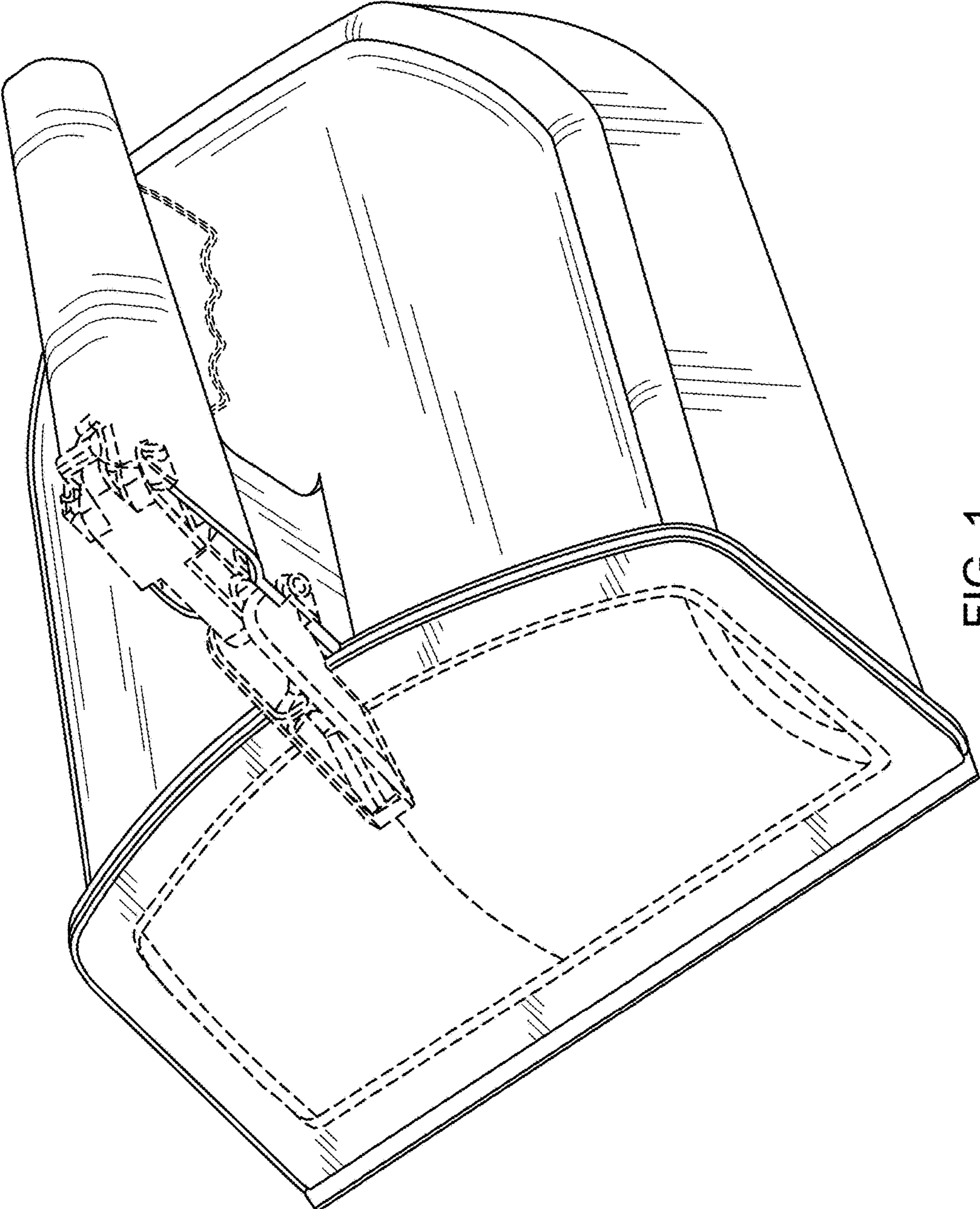


FIG. 1

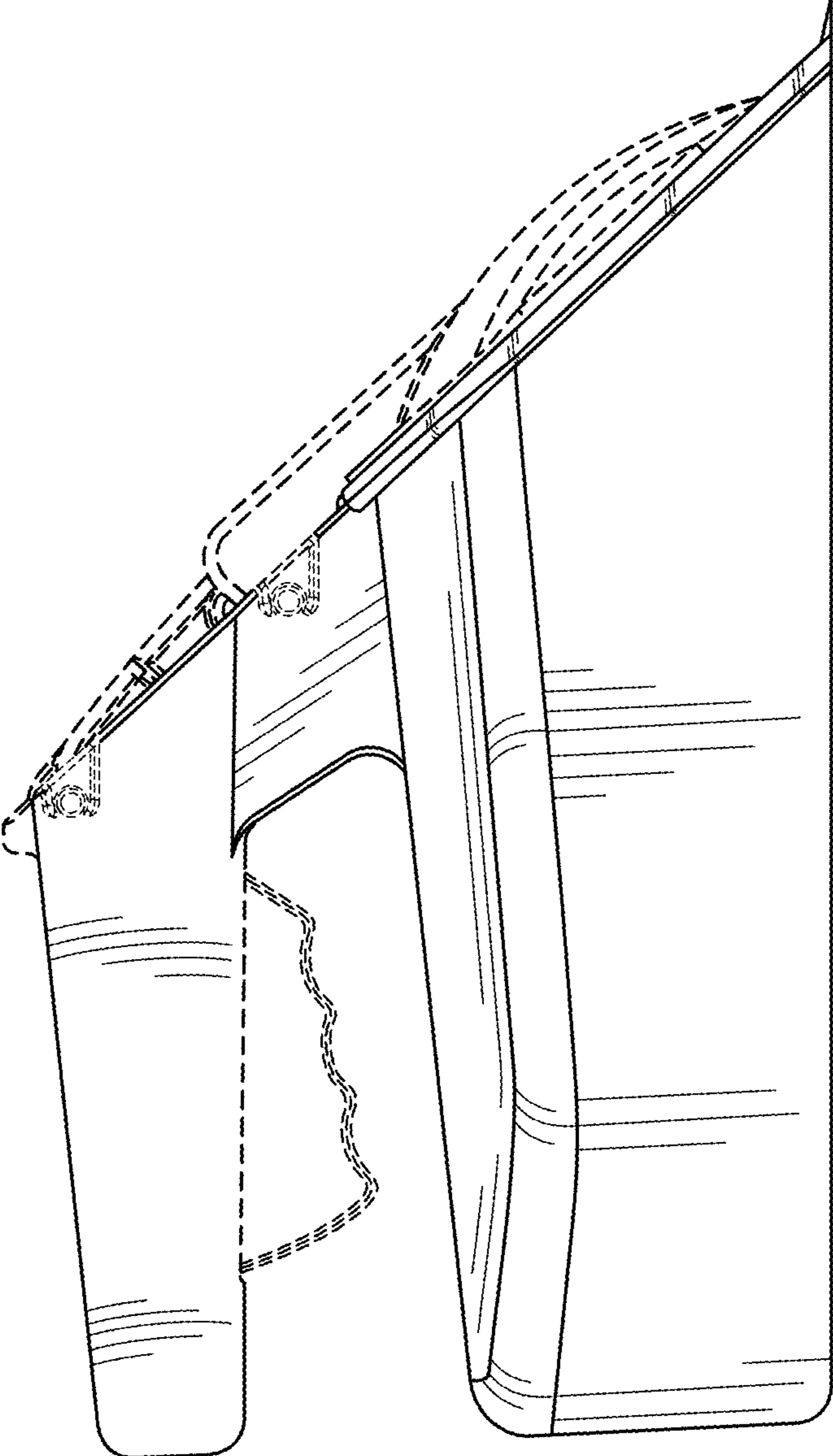


FIG. 2

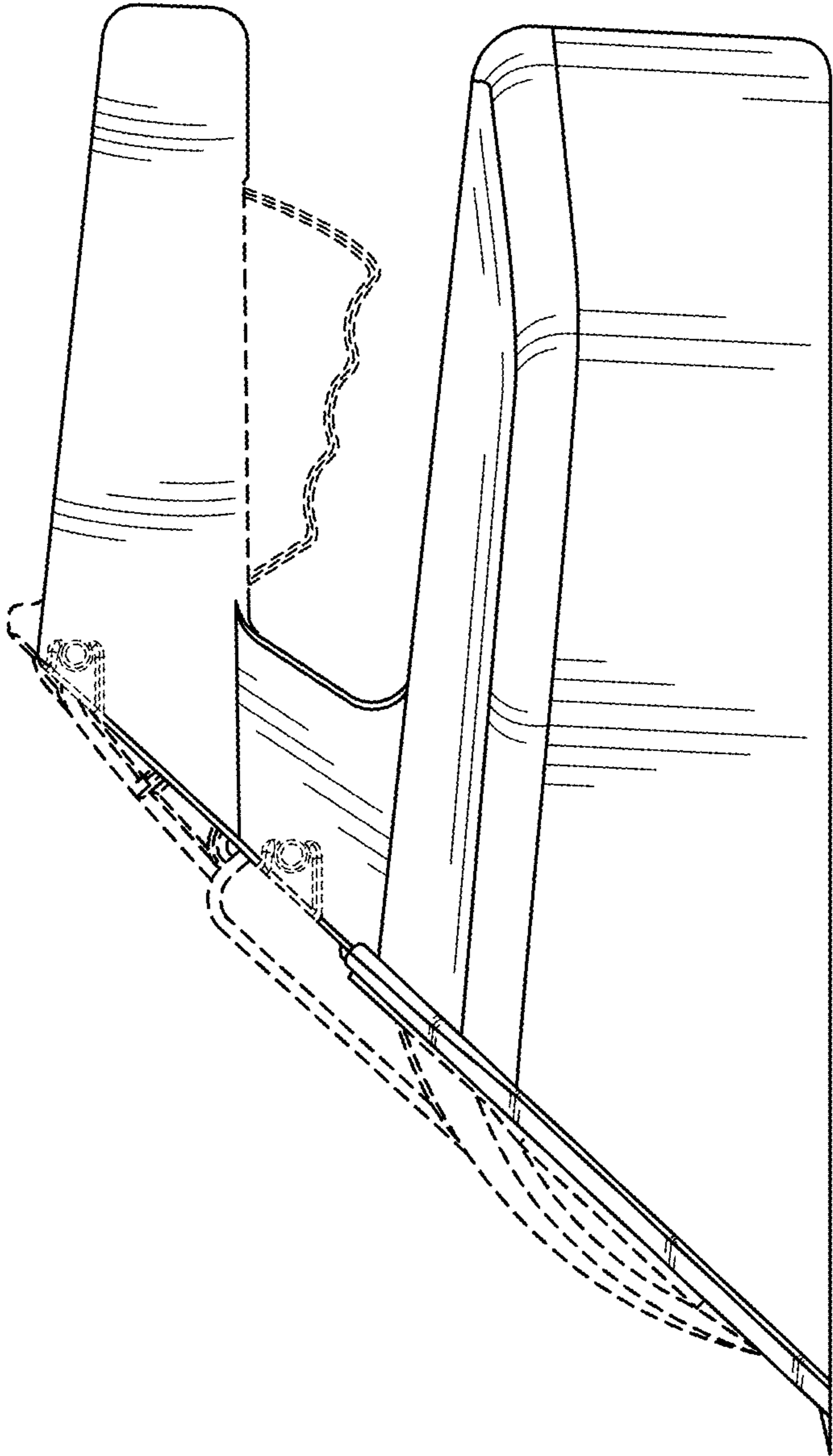


FIG. 3

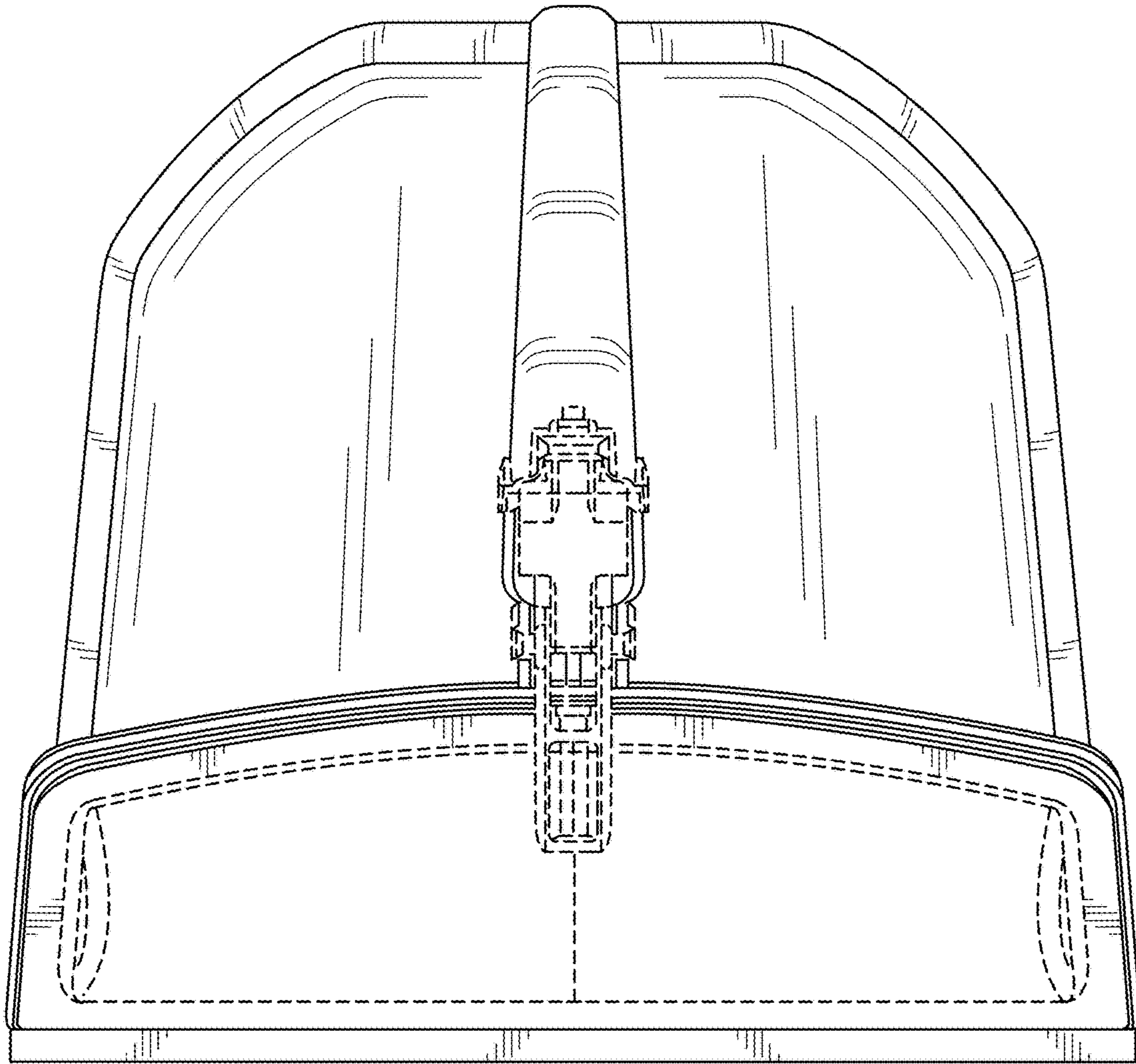


FIG. 4

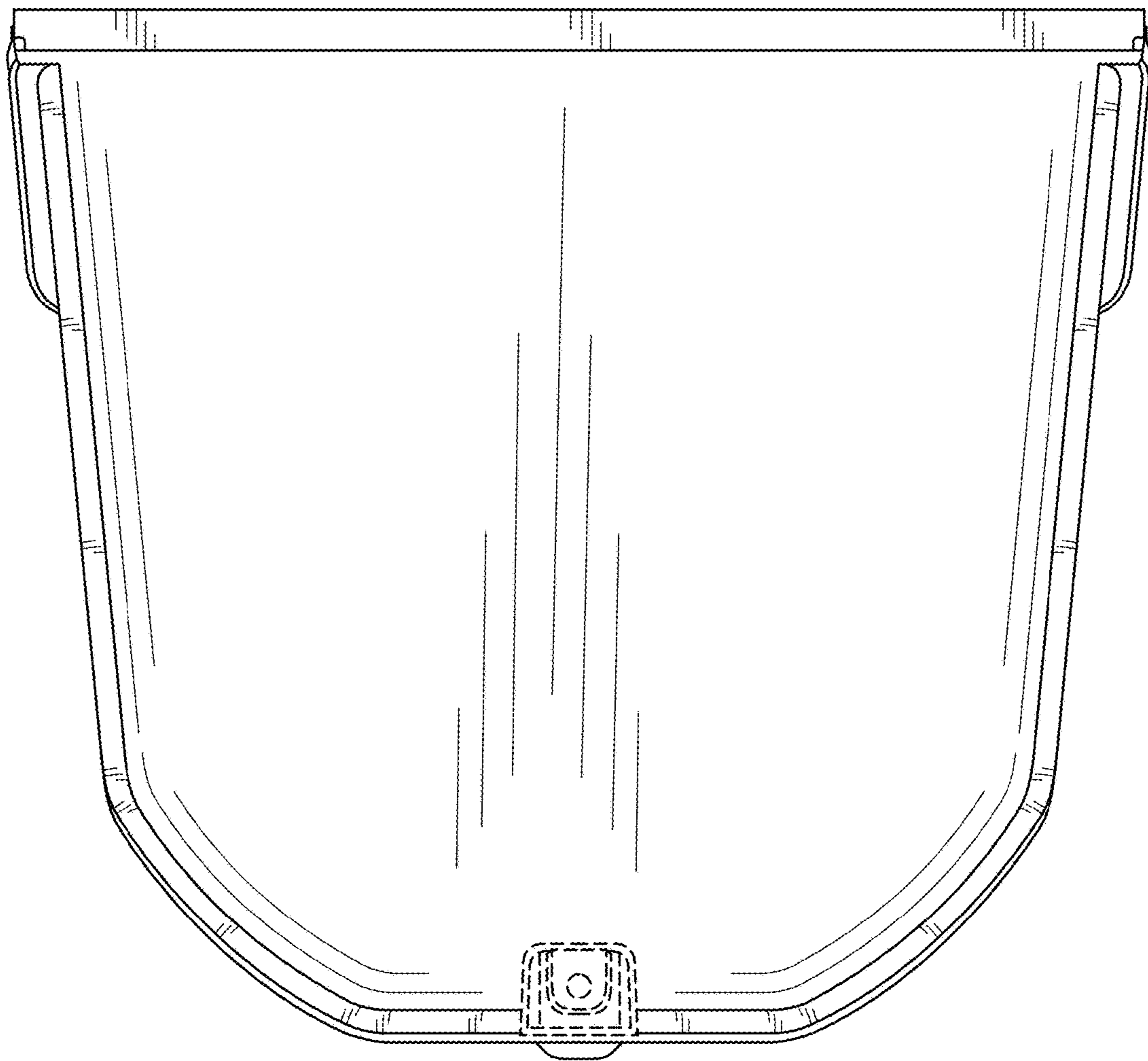


FIG. 5

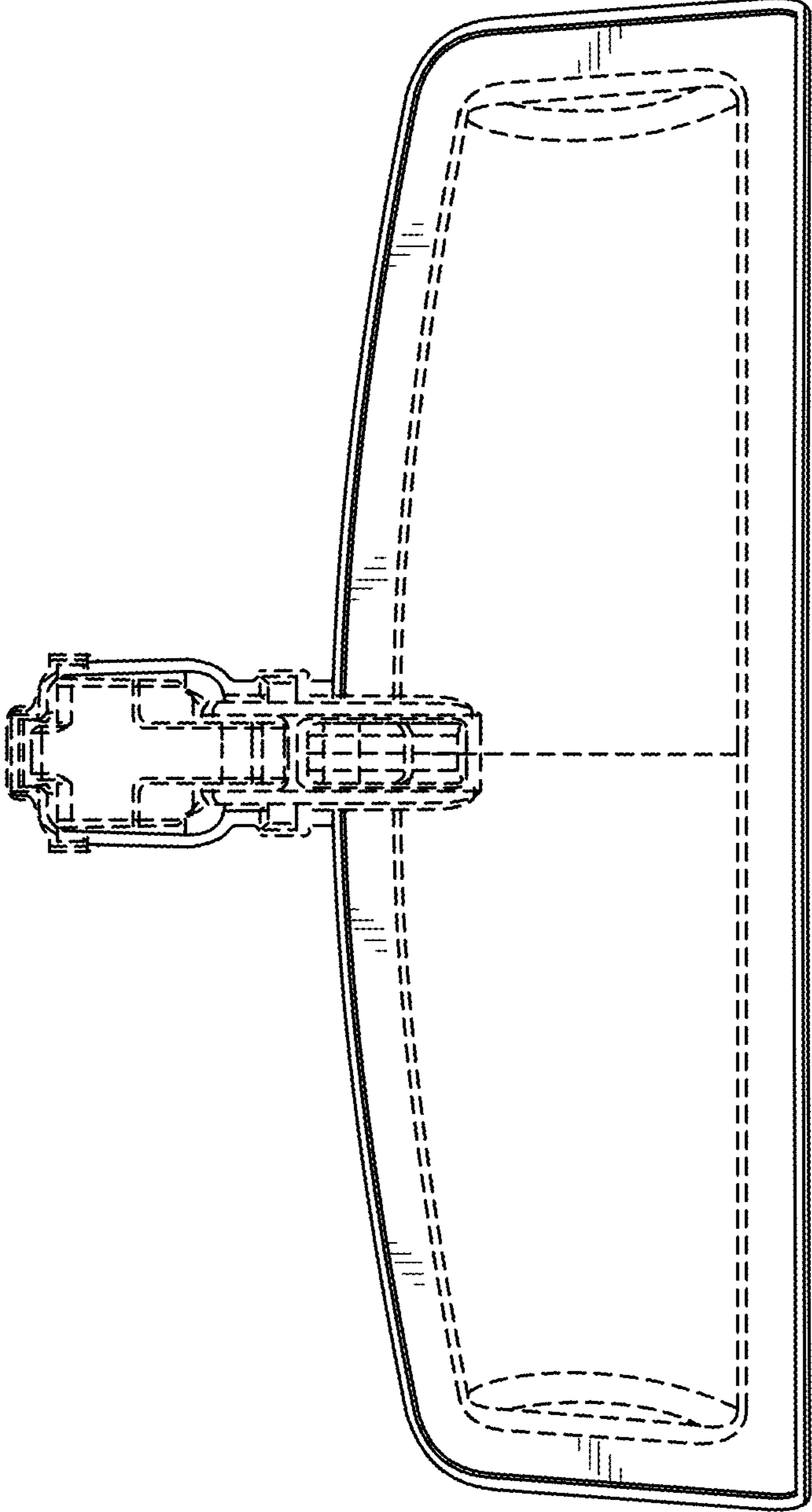


FIG. 6

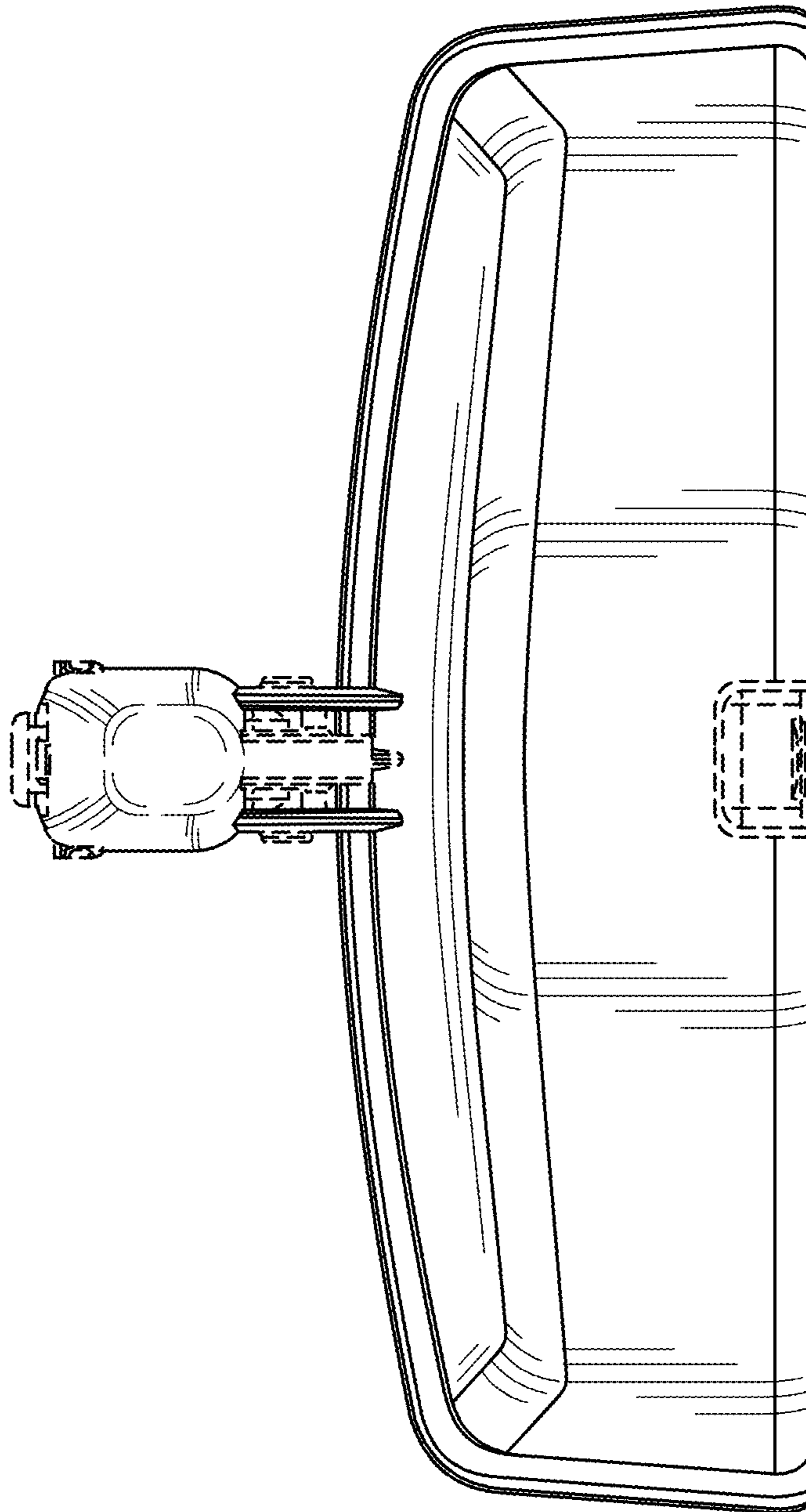


FIG. 7

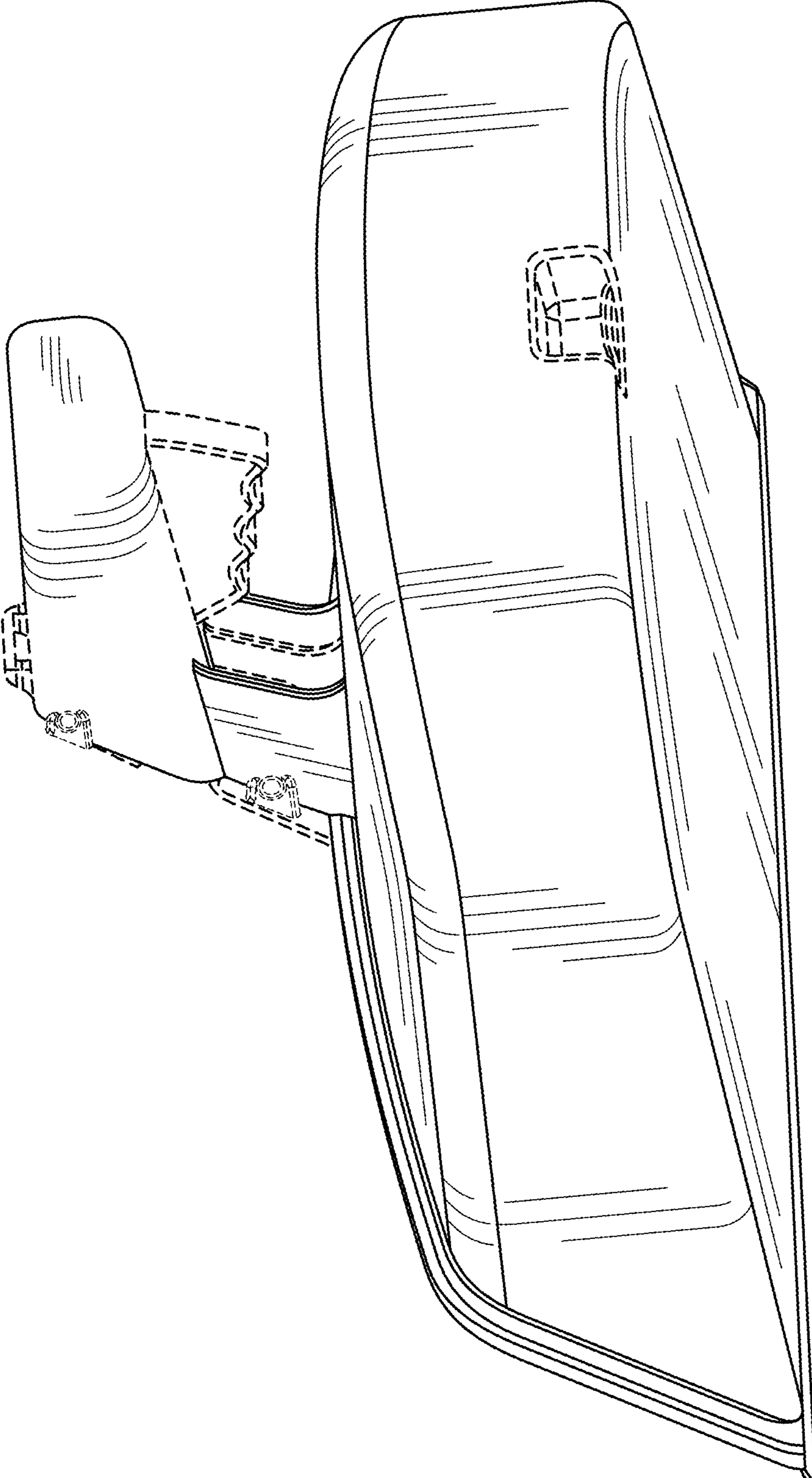


FIG. 8

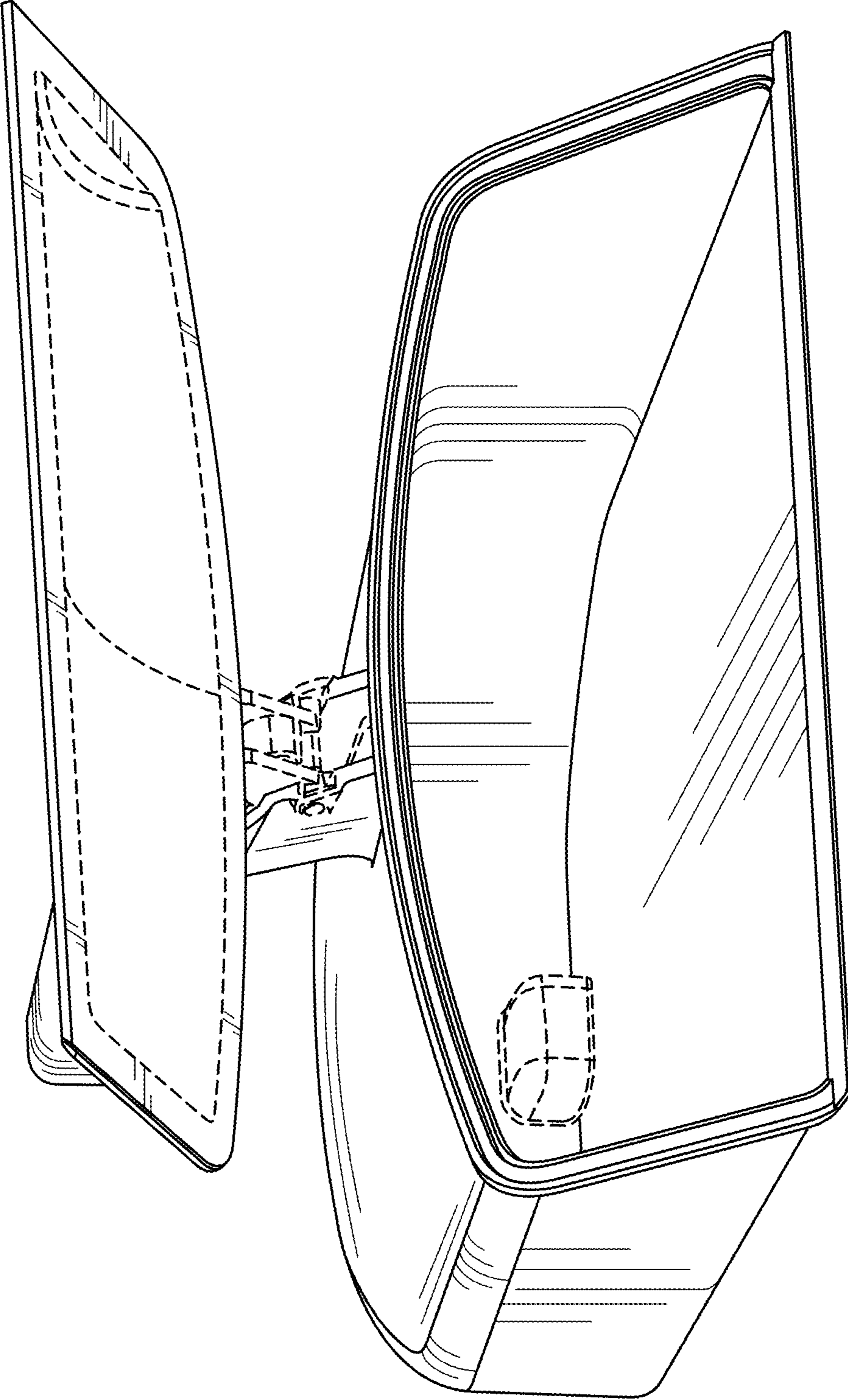


FIG. 9