



US00D784644S

(12) **United States Design Patent**
Reaux

(10) **Patent No.:** **US D784,644 S**

(45) **Date of Patent:** **** Apr. 18, 2017**

- (54) **HAND HELD SPONGE HANDLE**
- (71) Applicant: **Brian K. Reaux**, Red Oak, TX (US)
- (72) Inventor: **Brian K. Reaux**, Red Oak, TX (US)
- (73) Assignee: **Brian K. Reaux**, Red Oak, TX (US)
- (**) Term: **15 Years**
- (21) Appl. No.: **29/505,695**
- (22) Filed: **Jan. 7, 2016**
- (51) **LOC (10) Cl.** **04-01**
- (52) **U.S. Cl.**
USPC **D32/40**
- (58) **Field of Classification Search**
USPC D32/40-45, 50-52; D28/63; D4/116,
D4/119, 124; D9/719, 723-725
CPC .. A46D 3/00; A61F 2/44; A61F 15/00; A47K
7/02; A47K 7/028; A46B 11/00; A61B
90/80; B01J 23/74
See application file for complete search history.

- 5,873,494 A * 2/1999 Dallas, Jr. B65D 81/3283
222/129
 - D411,368 S * 6/1999 Liu D32/42
 - 6,438,787 B1 * 8/2002 Young A47K 7/028
15/143.1
 - 6,546,588 B1 * 4/2003 Black A47K 7/028
15/144.1
 - D688,753 S * 8/2013 Holm D21/484
- (Continued)

FOREIGN PATENT DOCUMENTS

- JP D1500587 * 9/2014
- JP D1506008 * 9/2014

OTHER PUBLICATIONS

Scrub Daddy—Scrub Daisy, website copyright 2015, <https://scrubdaddy.com/scrub-daisy/>, [site visited Jun. 21, 2016 8:10:56 PM].*

(Continued)

Primary Examiner — John Windmuller
Assistant Examiner — John R Yeh

(57) **CLAIM**

The ornamental design for a hand held sponge handle, as shown and described.

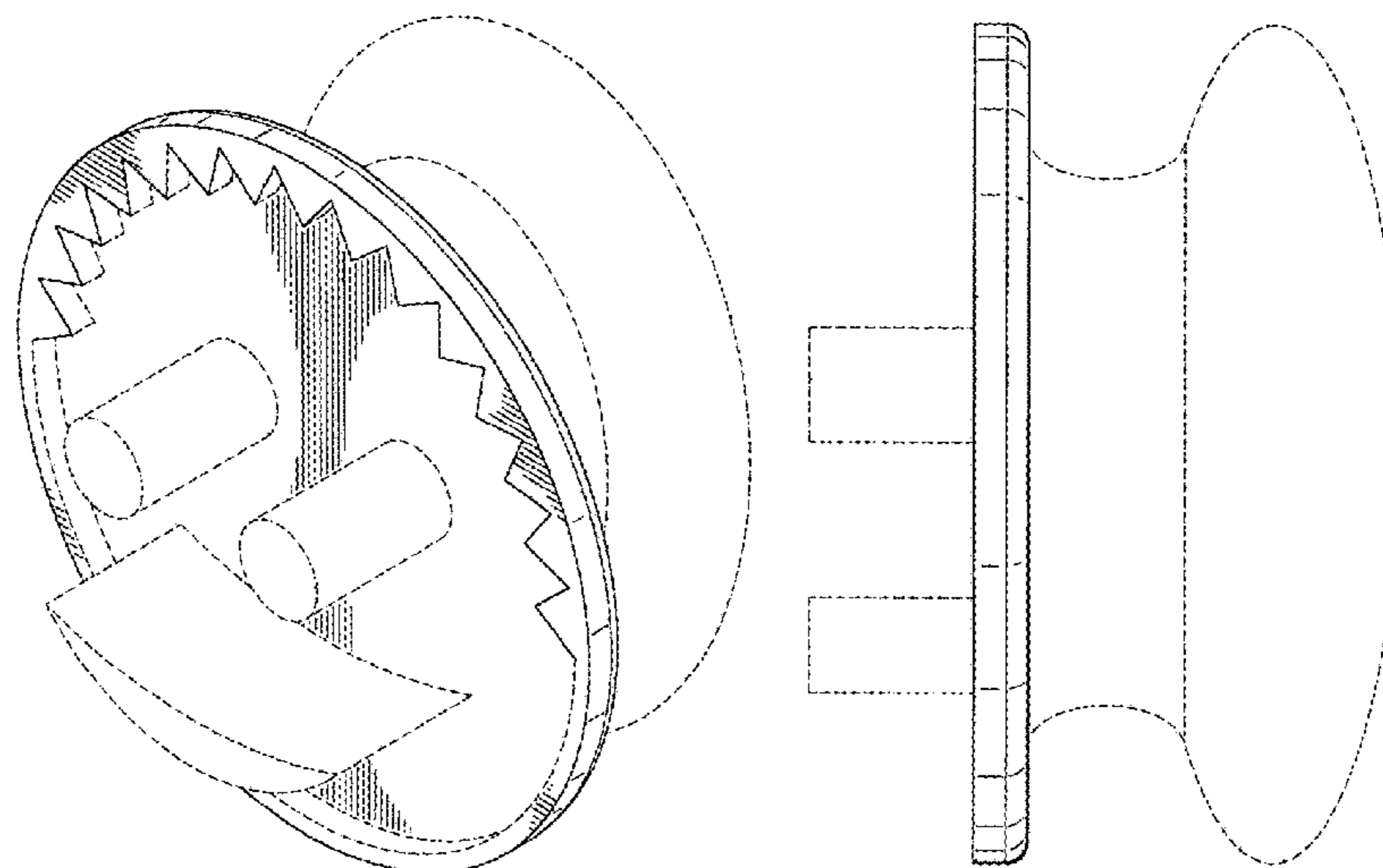
DESCRIPTION

FIG. 1 is a front perspective view of my new design for a hand held sponge handle;
FIG. 2 is a front view thereof;
FIG. 3 is a rear view thereof;
FIG. 4 is a right side view thereof;
FIG. 5 is a left side view thereof;
FIG. 6 is a perspective view of my new design in use; and,
FIG. 7 is a side bottom view thereof.
The broken lines in the figures show portions of the article that form no part of the claimed design.

1 Claim, 5 Drawing Sheets

(56) **References Cited**
U.S. PATENT DOCUMENTS

- D33,153 S * 9/1900 Cornell D21/385
- 2,744,281 A * 5/1956 Zinggeler A47K 7/028
15/143.1
- 3,234,683 A * 2/1966 Christiansen A63H 17/262
446/103
- 3,579,859 A * 5/1971 Malenge A63F 9/06
40/437
- 4,185,125 A * 1/1980 Sakakibara A23L 1/1613
426/439
- D277,686 S * 2/1985 Chatani D21/501
- 4,556,201 A * 12/1985 Turner E04F 11/1863
248/251
- D291,258 S * 8/1987 Greer, Sr. D32/40
- D332,841 S * 1/1993 Levison D28/63
- D351,285 S * 10/1994 Joyner D28/63
- D351,696 S * 10/1994 Adolf D28/63



(56)

References Cited

U.S. PATENT DOCUMENTS

D701,923 S * 4/2014 Jensen D21/500
8,925,140 B1 * 1/2015 Troiani A47K 7/028
15/210.1
D752,873 S * 4/2016 Deluca D4/116
2001/0003694 A1 * 6/2001 Gudger A63H 33/04
446/85
2001/0046571 A1 * 11/2001 Eisner A46B 5/00
428/15
2004/0154256 A1 * 8/2004 Kim E04B 2/08
52/592.6

OTHER PUBLICATIONS

Amazon.com: Scrub Daddy Scratch Free Cleaning Tool, review date Dec. 22, 2012, <http://www.amazon.com/Scrub-Daddy-Scratch-Free-Cleaning/dp/B00A0VTTQU#customerReviews>, [site visited May 17, 2016 9:28:00 PM].*

Vintage Playskool Cobblers Bench Wooden Hammer, circa 1960's, [site visited May 27, 2016 9:20:13 PM], https://www.etsy.com/listing/266267864/vintage-playskool-cobblers-bench-wooden?ga_order=most_relevant&ga_search_type=vintage&ga_view_type=gallery&ga_search_query=playskool.*
Scrub Daddy.com.

* cited by examiner

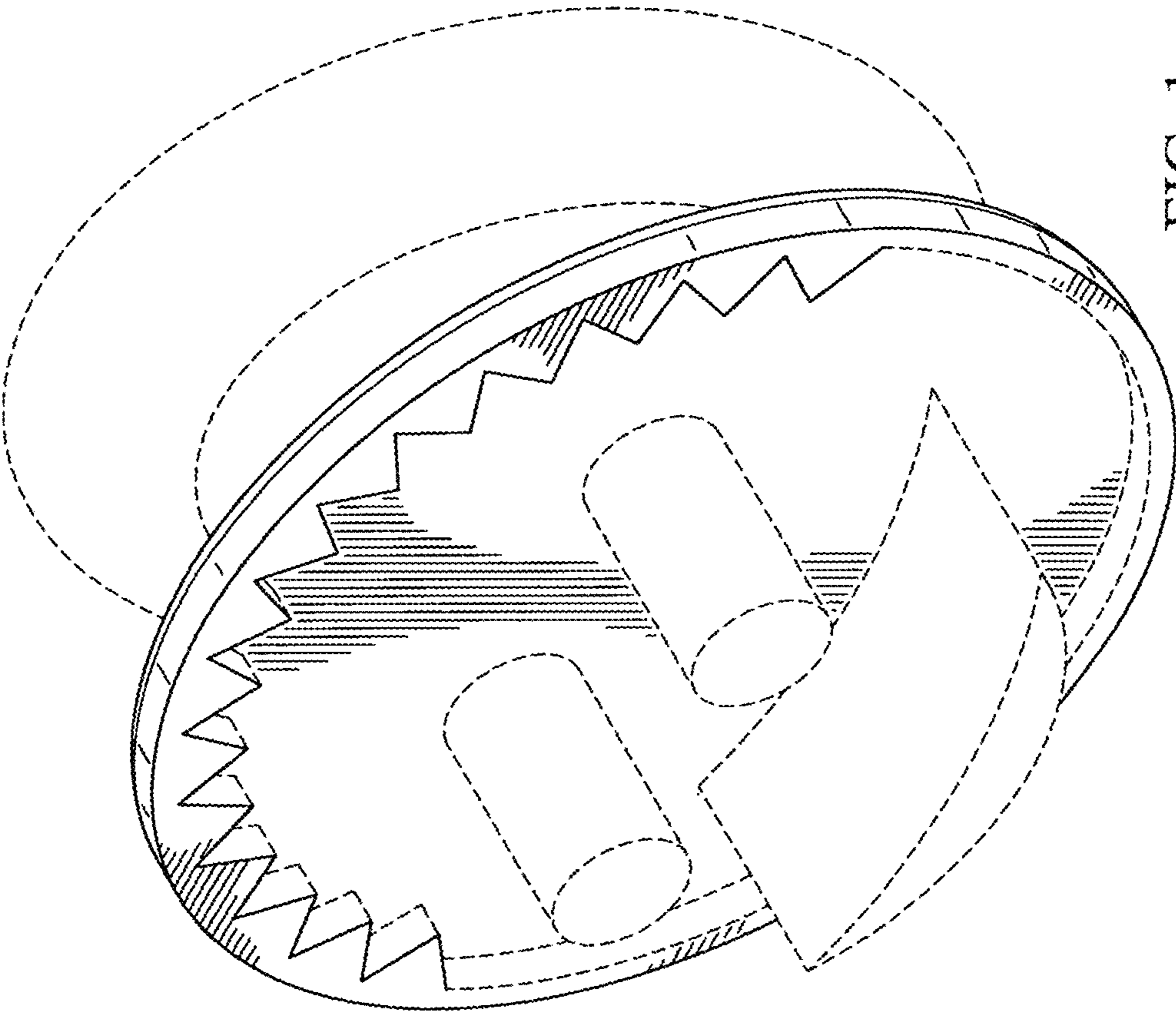


FIG. 1

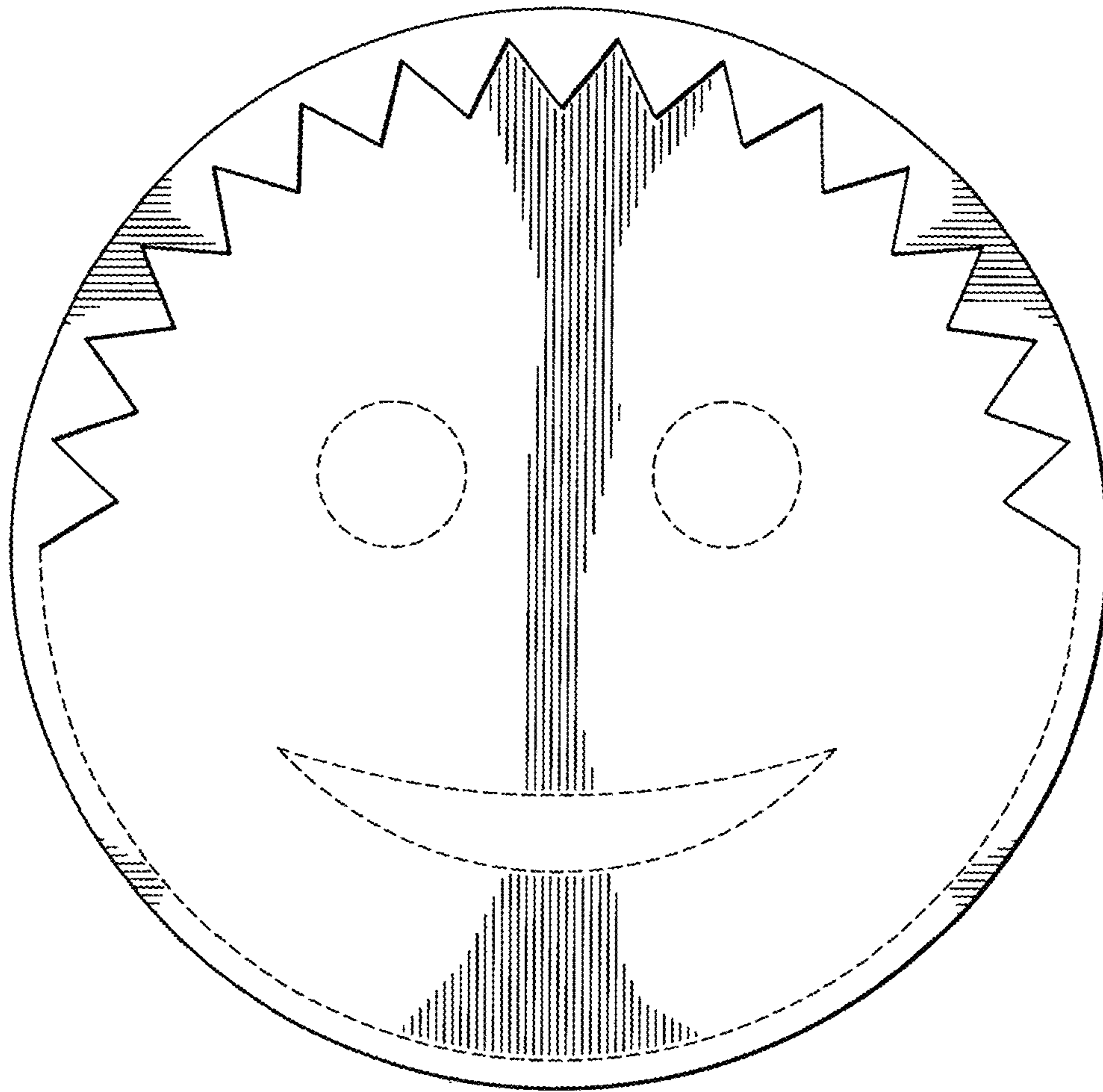


FIG. 2

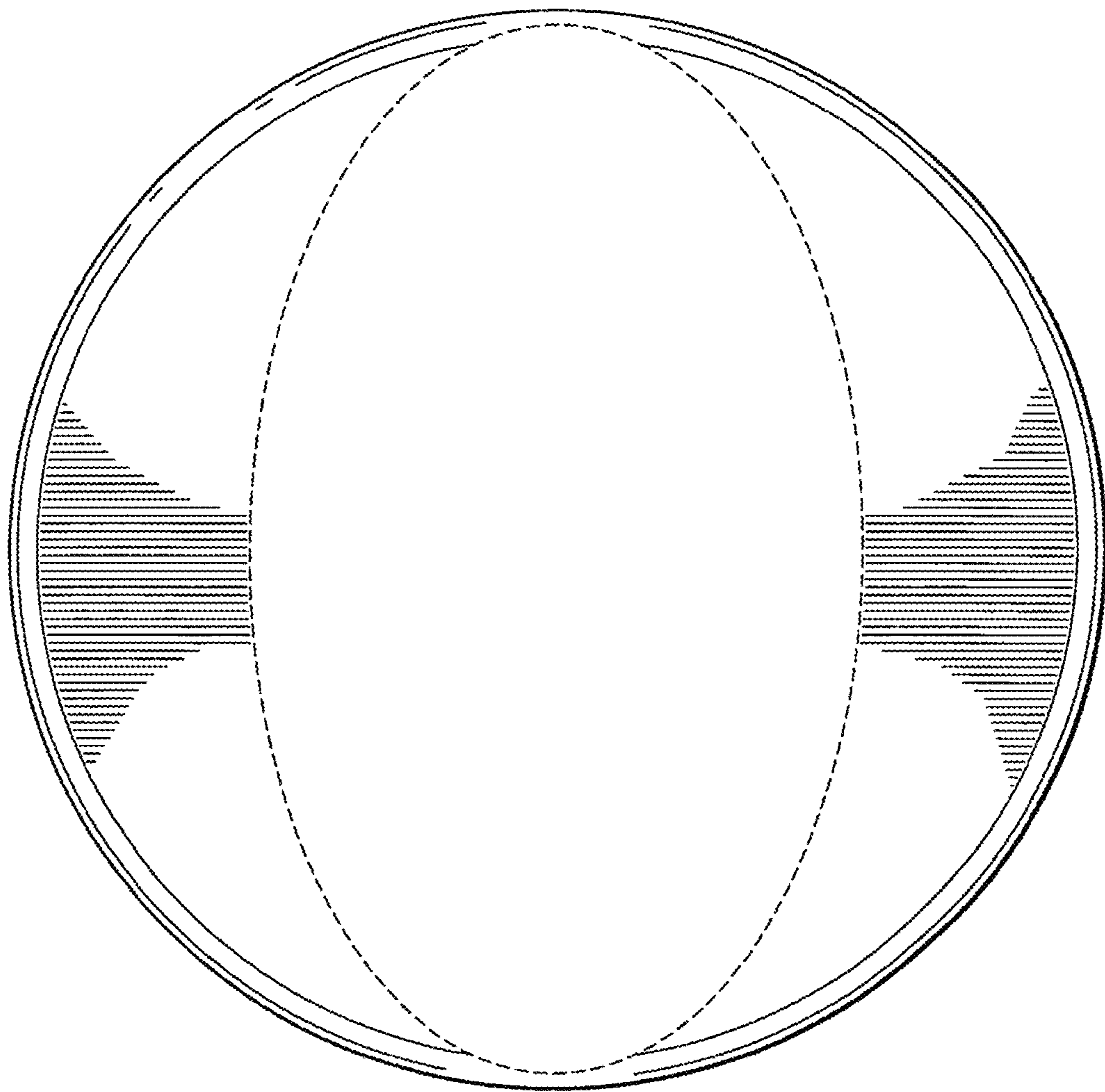


FIG. 3

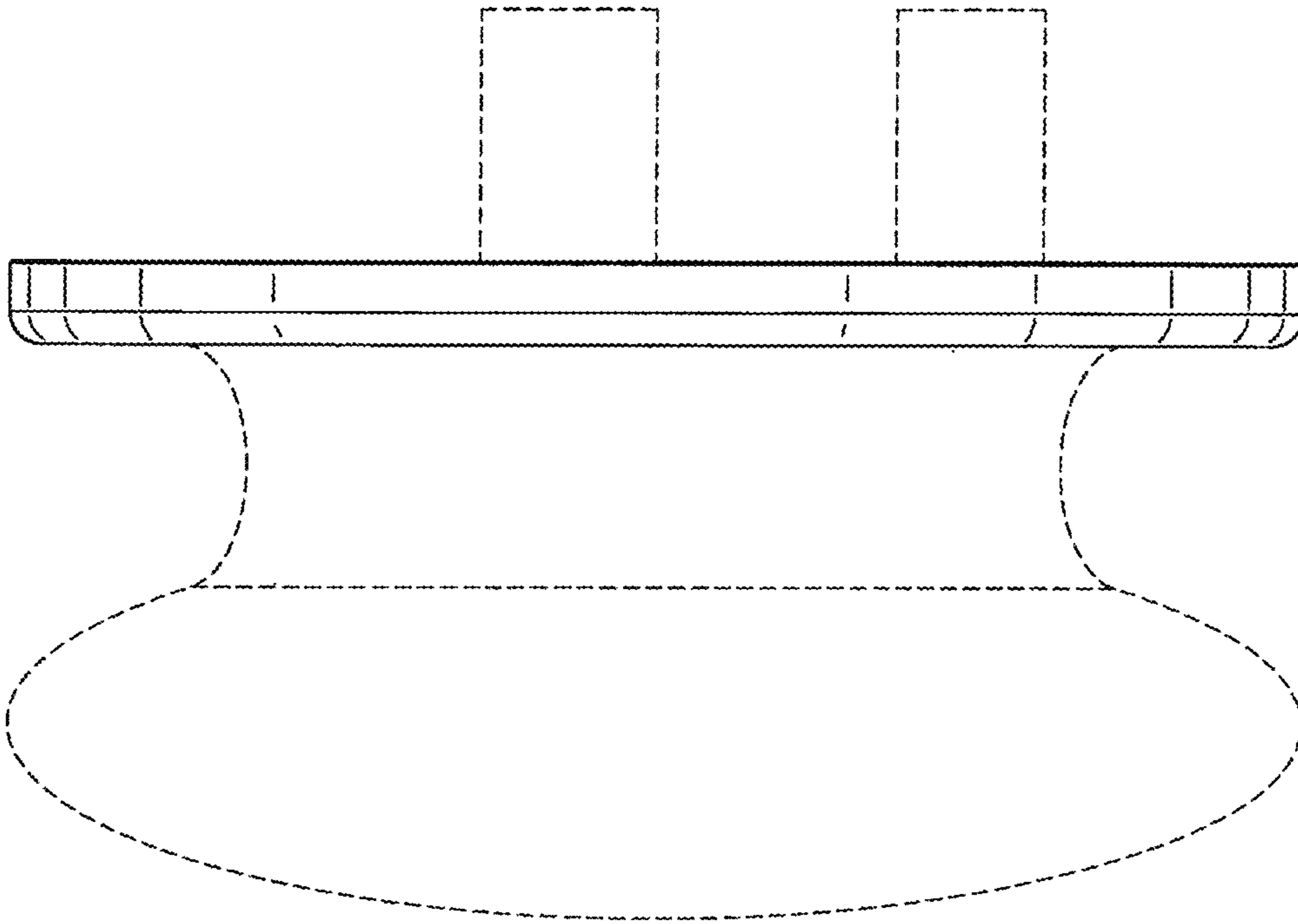


FIG. 5

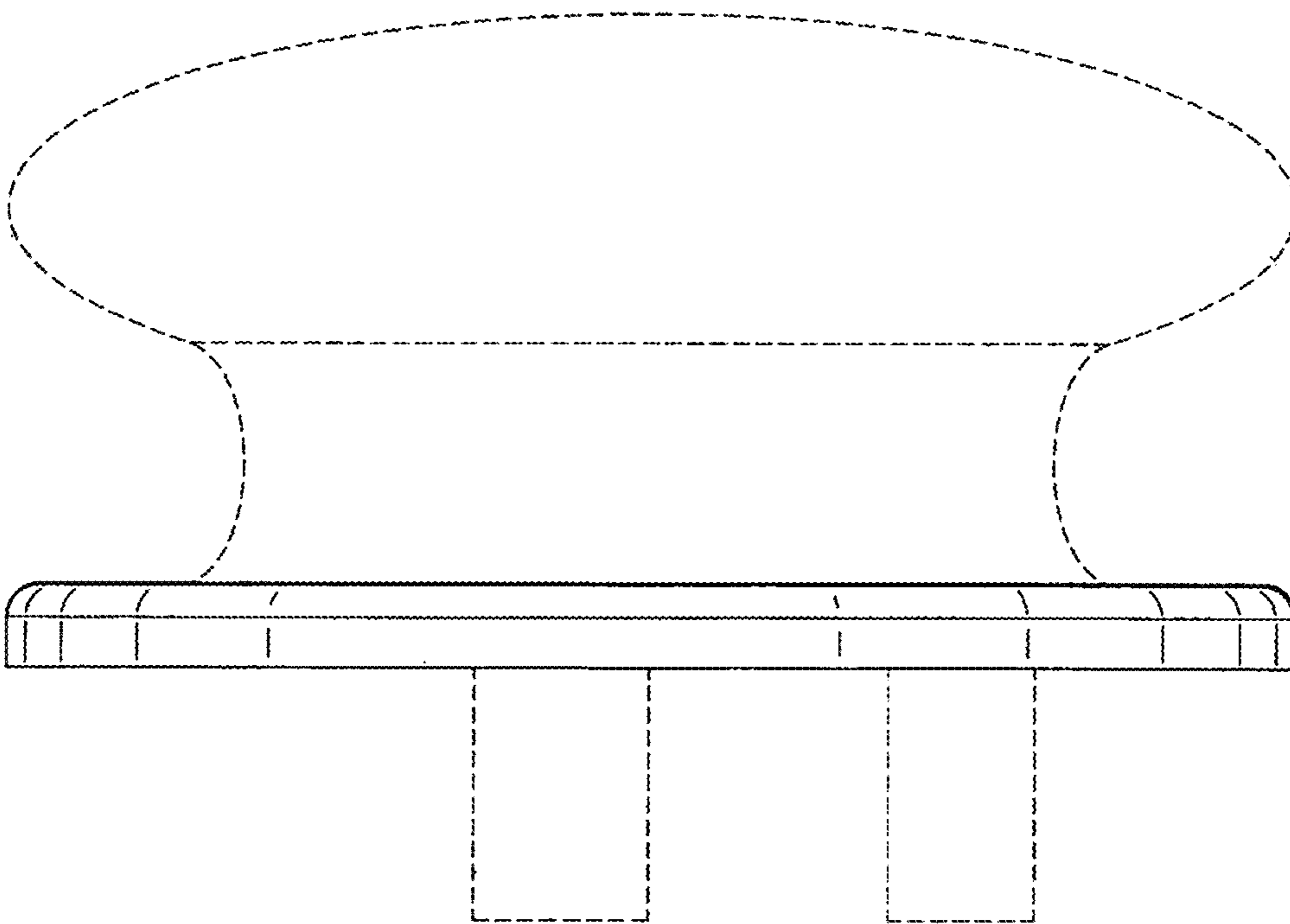


FIG. 4

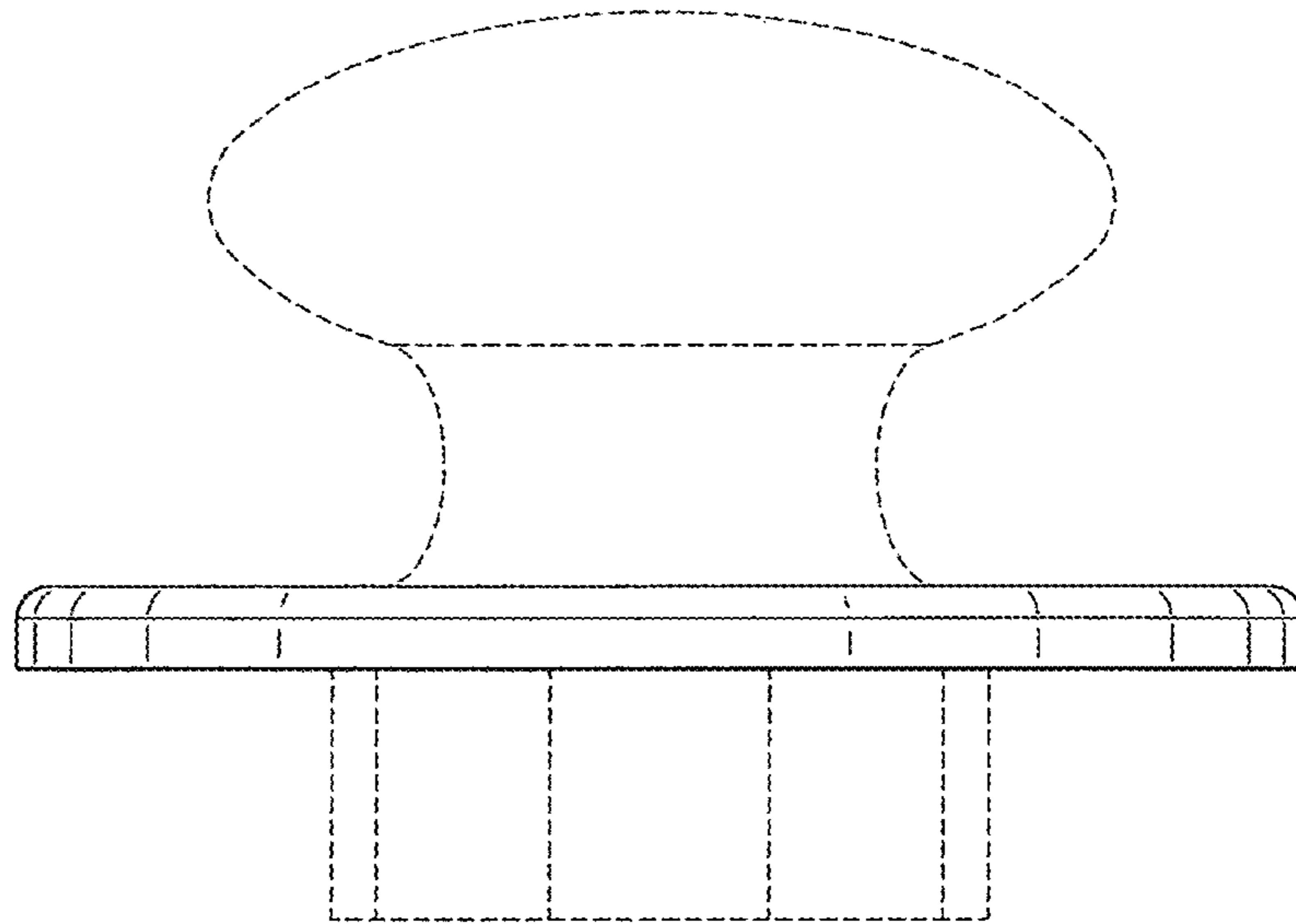


FIG. 6

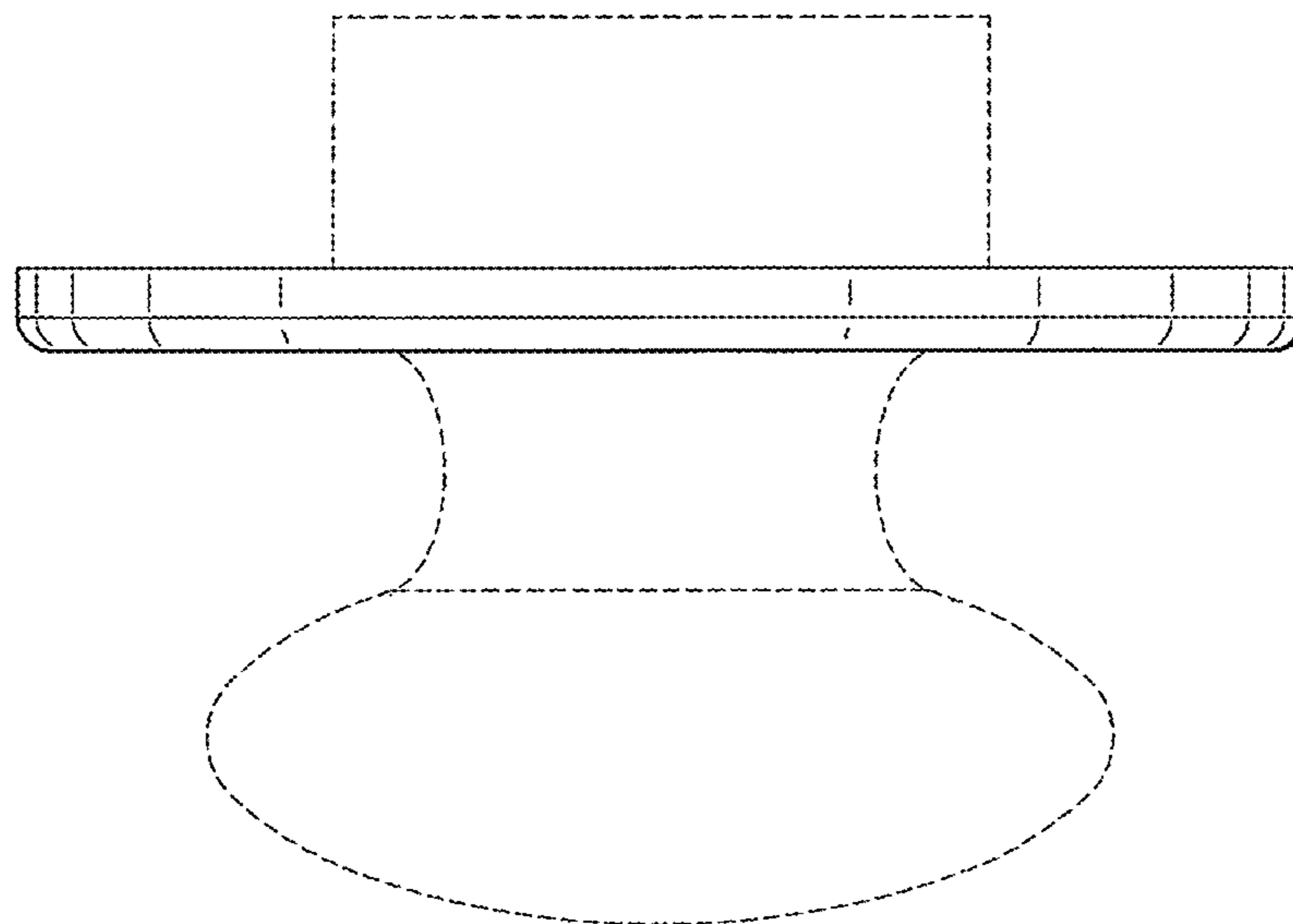


FIG. 7