



US00D784639S

(12) **United States Design Patent**  
**Niedzwecki**

(10) **Patent No.:** **US D784,639 S**

(45) **Date of Patent:** **\*\* Apr. 18, 2017**

(54) **CYCLONE BIN ASSEMBLY FOR A VACUUM CLEANER**

(71) Applicant: **SharkNinja Operating LLC**, Newton, MA (US)

(72) Inventor: **Scott Niedzwecki**, East Walpole, WA (US)

(73) Assignee: **SharkNinja Operating LLC**, Newton, MA (US)

(\*\*) Term: **14 Years**

(21) Appl. No.: **29/496,848**

(22) Filed: **Jul. 17, 2014**

(51) **LOC (10) Cl.** ..... **15-05**

(52) **U.S. Cl.**  
USPC ..... **D32/31**

(58) **Field of Classification Search**  
USPC ..... D32/18, 21, 23, 31  
CPC .... A47L 9/2842; A47L 9/2857; A47L 9/2836;  
A47L 9/2847; A47L 9/2852; A47L 9/16;  
G06N 3/008; E04H 4/1654  
See application file for complete search history.

(56) **References Cited**

**U.S. PATENT DOCUMENTS**

6,101,669	A	8/2000	Martin et al.	
D433,201	S	* 10/2000	Wright	D32/31
D481,844	S	* 11/2003	Greene	D32/31
D522,701	S	* 6/2006	Scheifele	D32/31
D577,163	S	9/2008	Dyson et al.	
D581,609	S	11/2008	Conrad et al.	
D583,117	S	* 12/2008	Peace	D32/31
D585,608	S	1/2009	Conrad et al.	
D589,219	S	* 3/2009	Knox	D32/31
D608,963	S	* 1/2010	Reese	D32/31
7,931,716	B2	4/2011	Oakham	
8,146,201	B2	4/2012	Conrad	

D668,010	S	9/2012	Stickney et al.	
D668,823	S	10/2012	Stickney et al.	
D676,620	S	* 2/2013	Lindom	D32/31
8,689,395	B2	4/2014	Conrad	
D731,720	S	* 6/2015	Gidwell	D32/18
D731,722	S	* 6/2015	Yoon	D32/31
D742,083	S	* 10/2015	Gidwell	D32/31
D745,231	S	* 12/2015	Niedzwecki	D32/18
D746,525	S	* 12/2015	Yun	D32/31
D749,283	S	* 2/2016	Kim	D32/18

(Continued)

*Primary Examiner* — Ruth McInroy

(74) *Attorney, Agent, or Firm* — Grossman Tucker Perreault & Pfleger, PLLC

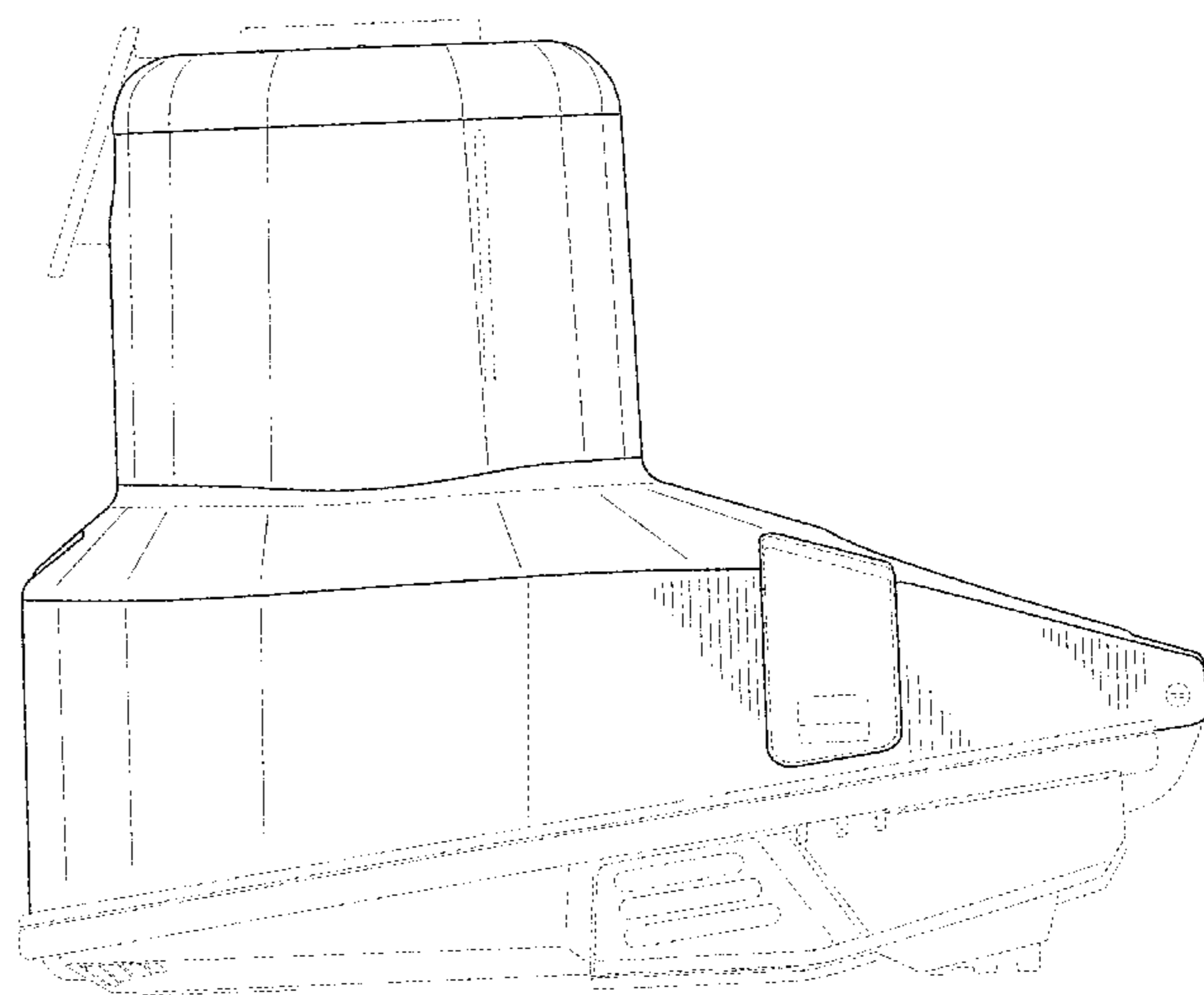
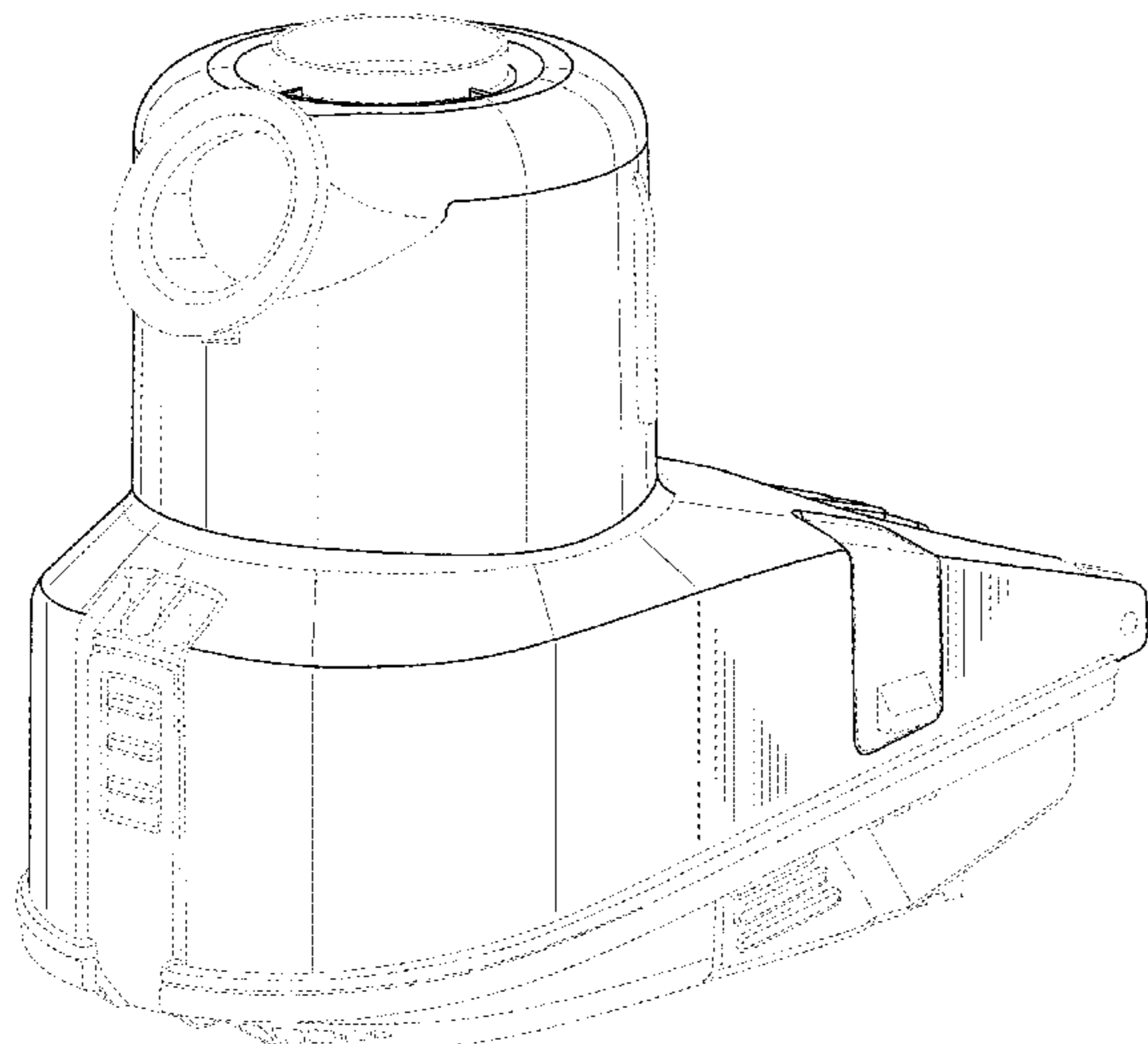
(57) **CLAIM**

I claim the ornamental design for a cyclone bin assembly for a vacuum cleaner, as shown and described.

**DESCRIPTION**

FIG. 1 is a perspective view from the front and one side of the cyclone bin assembly;  
 FIG. 2 is a perspective view from the rear and the other side of the cyclone bin assembly of FIG. 1;  
 FIG. 3 is an elevational view of one side of the cyclone bin assembly of FIG. 1;  
 FIG. 4 is an elevational view of the other side of the cyclone bin assembly of FIG. 1;  
 FIG. 5 is a front elevational view of the cyclone bin assembly of FIG. 1;  
 FIG. 6 is a rear elevational view of the cyclone bin assembly of FIG. 1;  
 FIG. 7 is a top plan view of the cyclone bin assembly of FIG. 1; and,  
 FIG. 8 is a bottom plan view of the cyclone bin assembly of FIG. 1.  
 The details shown in broken lines form no part of the claimed design.

**1 Claim, 8 Drawing Sheets**



(56)

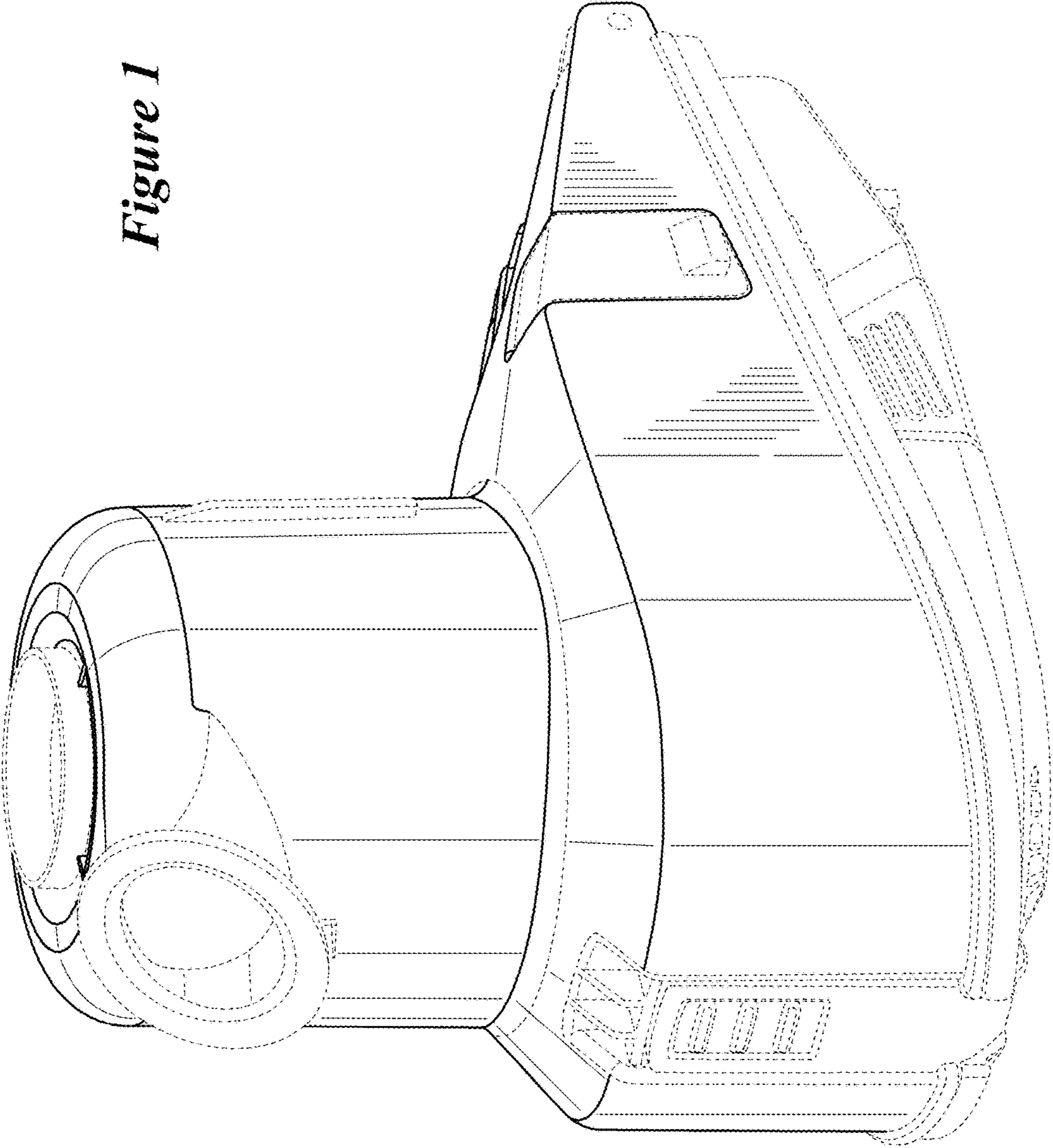
**References Cited**

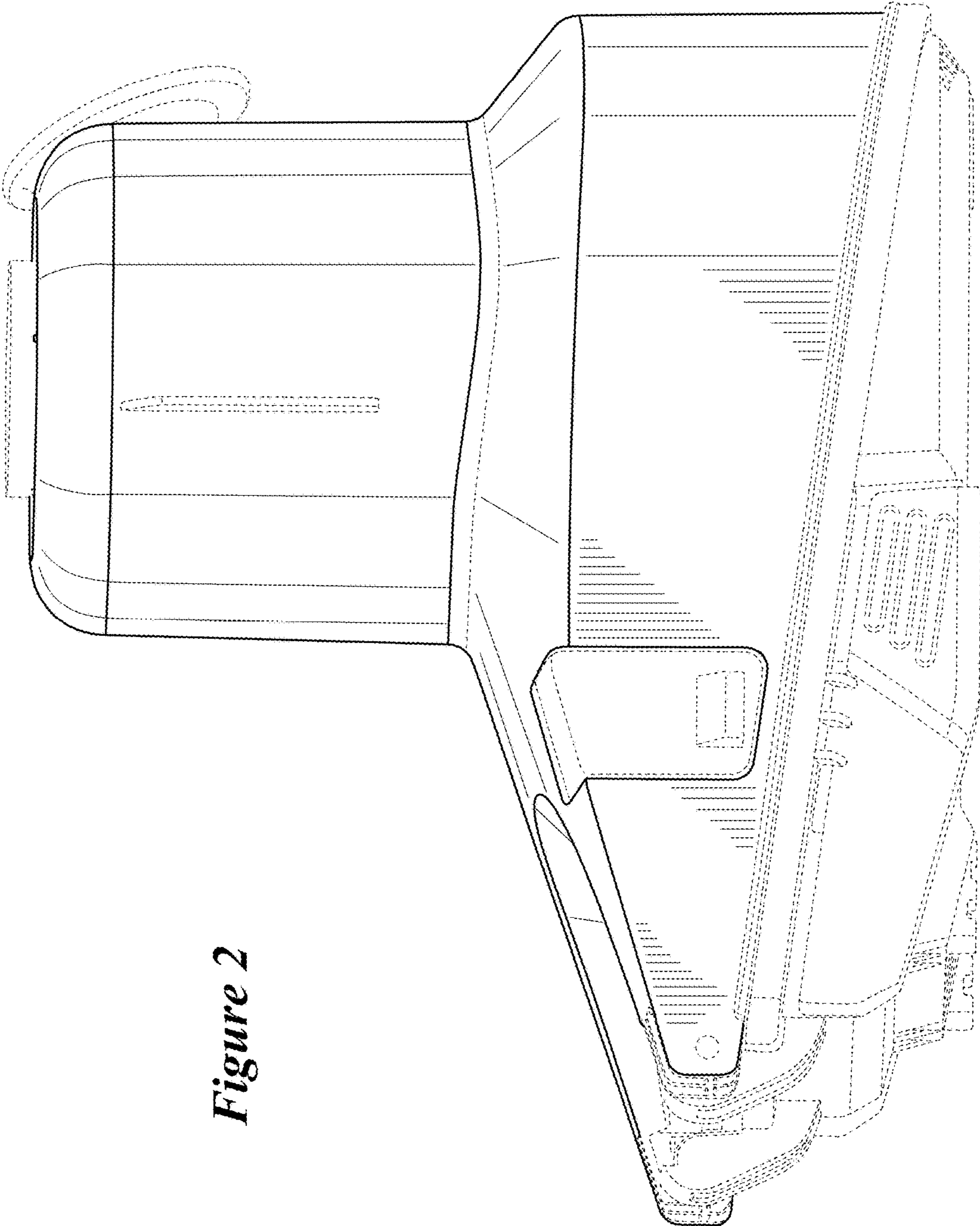
U.S. PATENT DOCUMENTS

D751,778 S \* 3/2016 Yun ..... D32/31  
2010/0229328 A1 9/2010 Conrad

\* cited by examiner

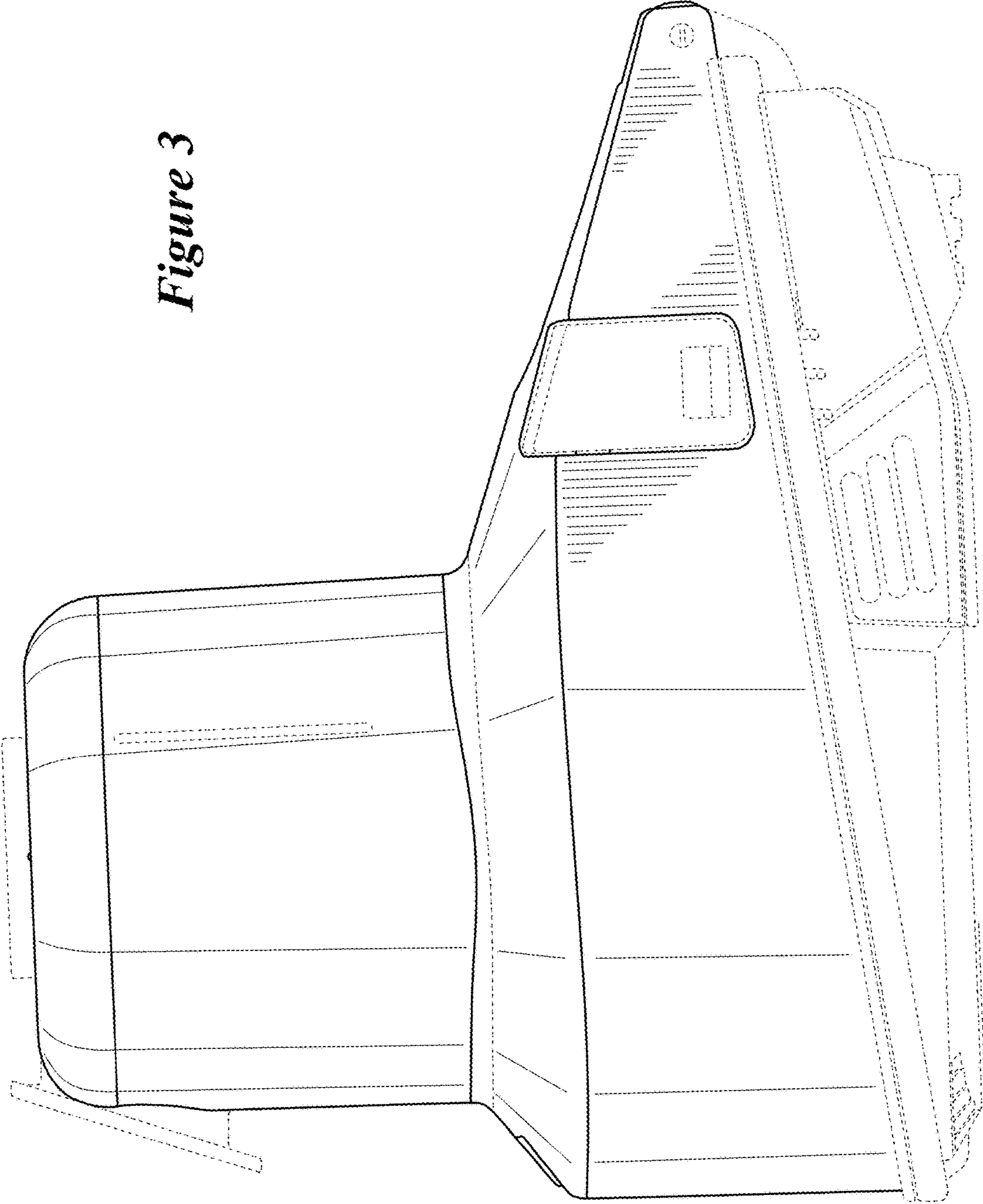
*Figure 1*

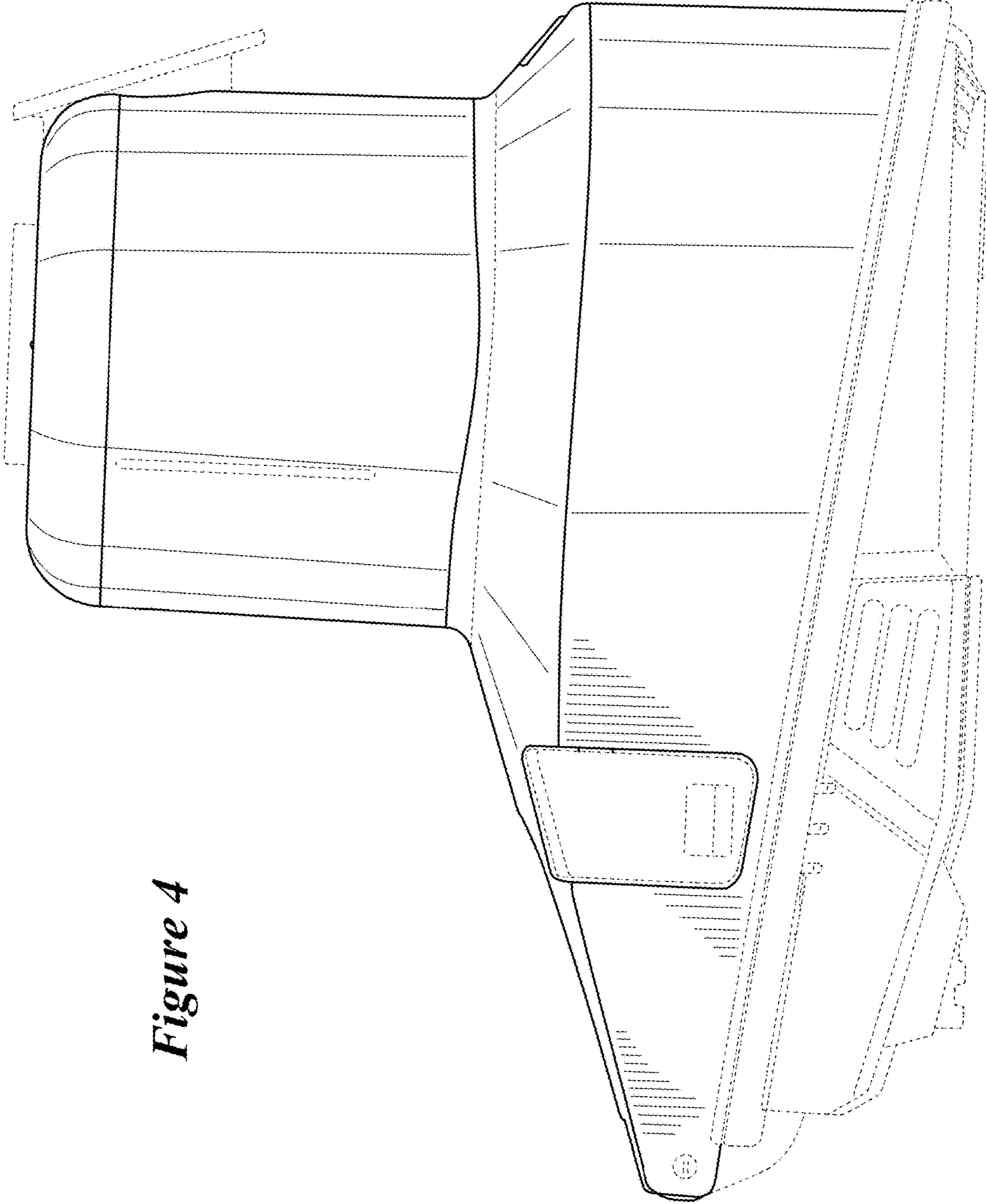




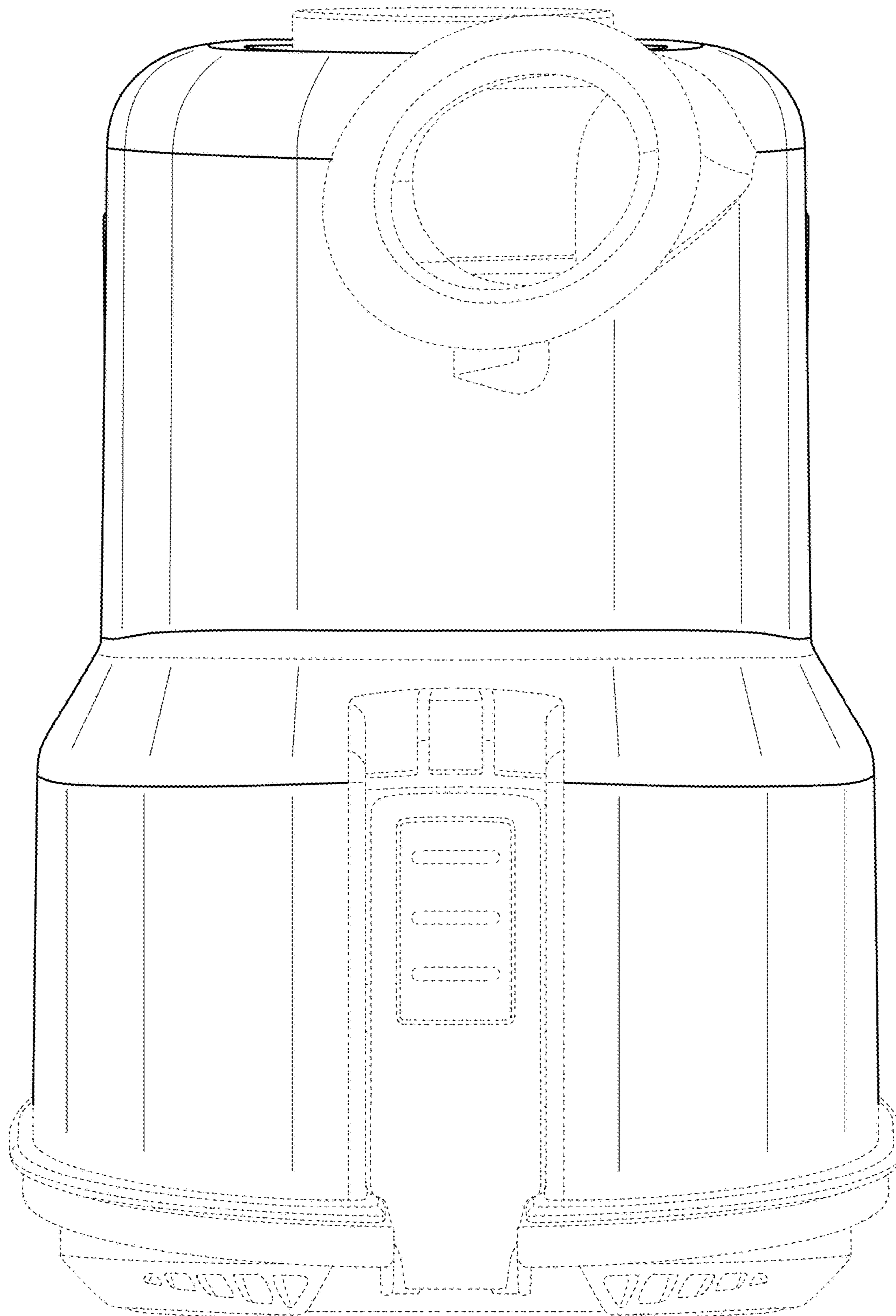
*Figure 2*

*Figure 3*

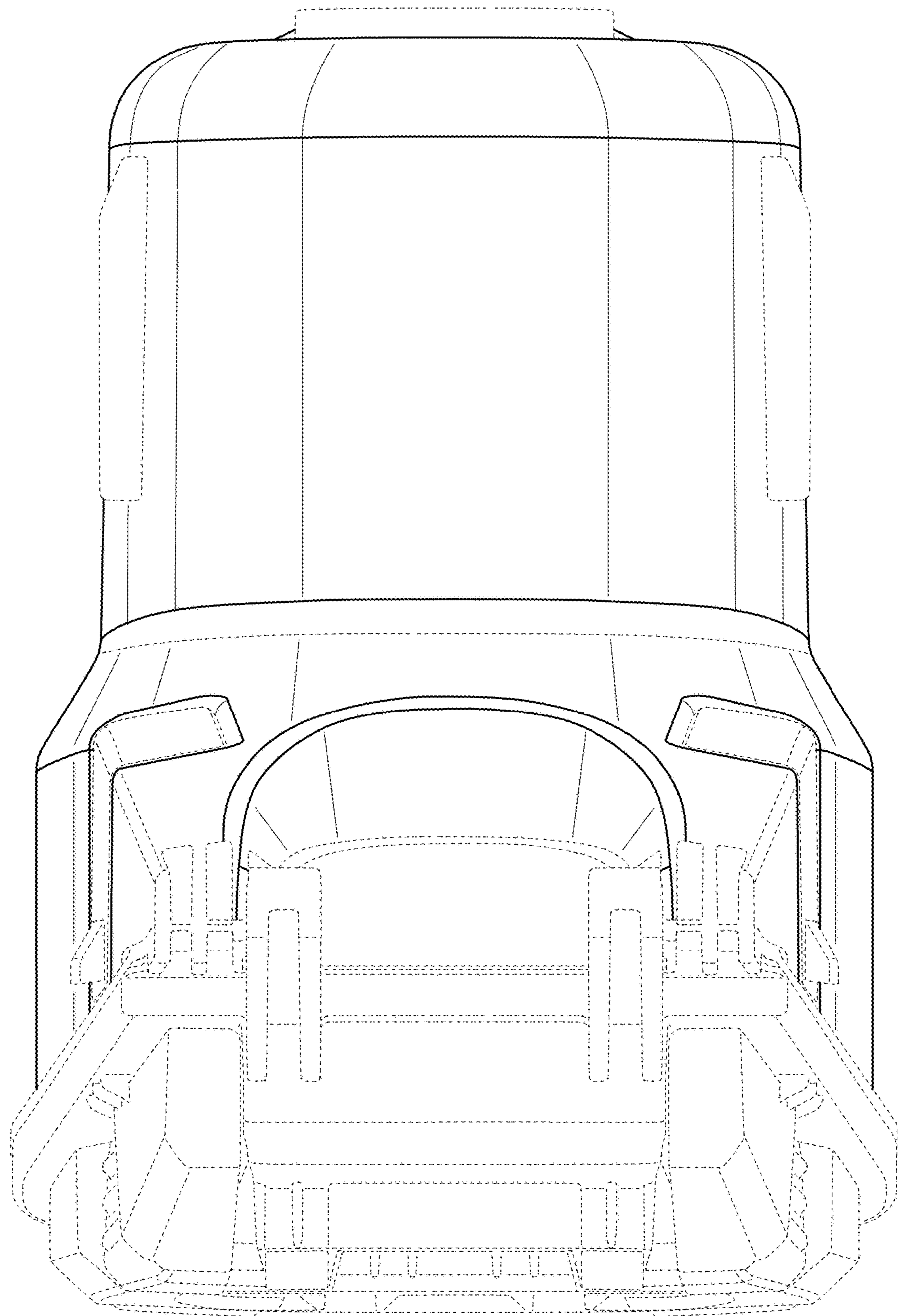




*Figure 4*

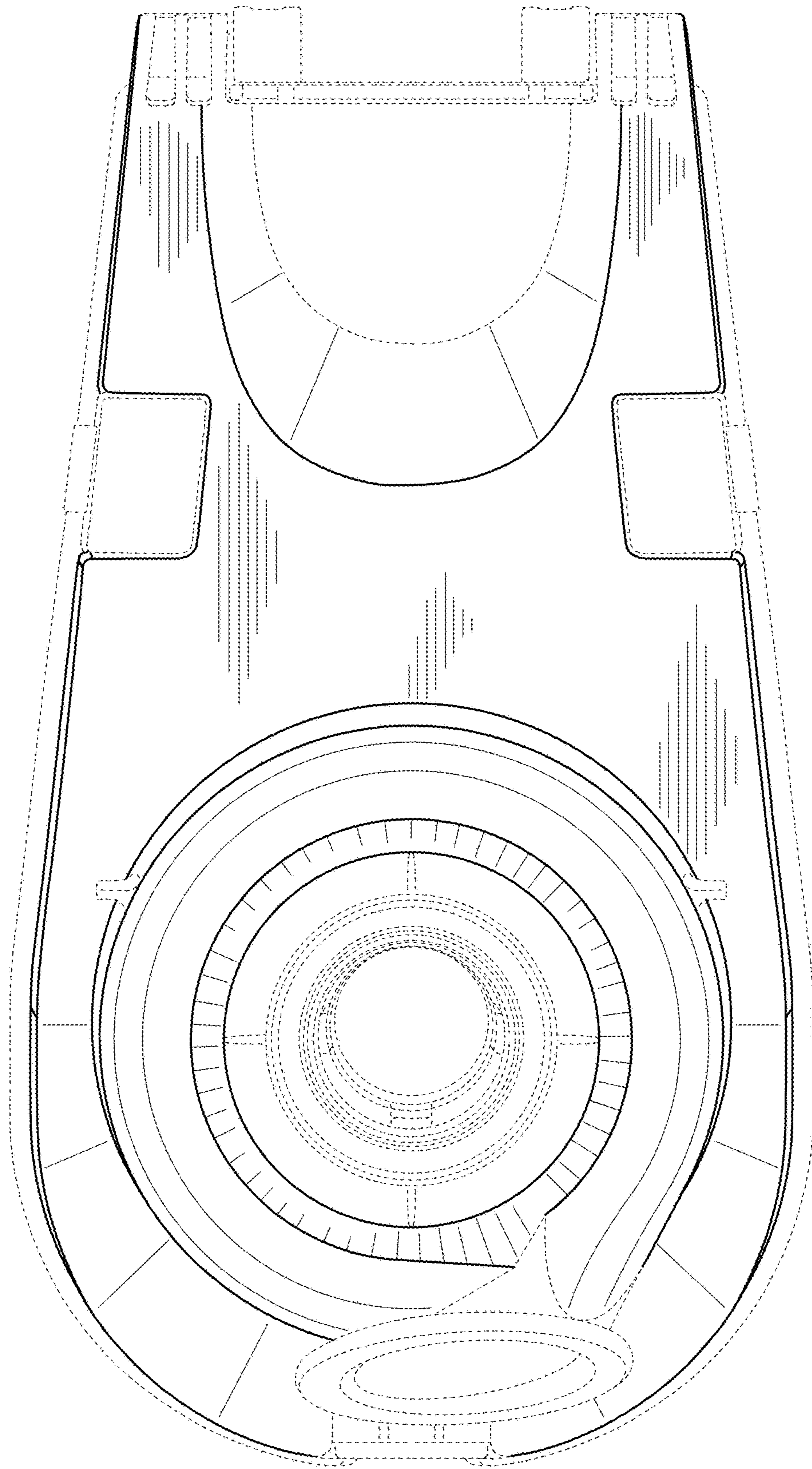


*Figure 5*

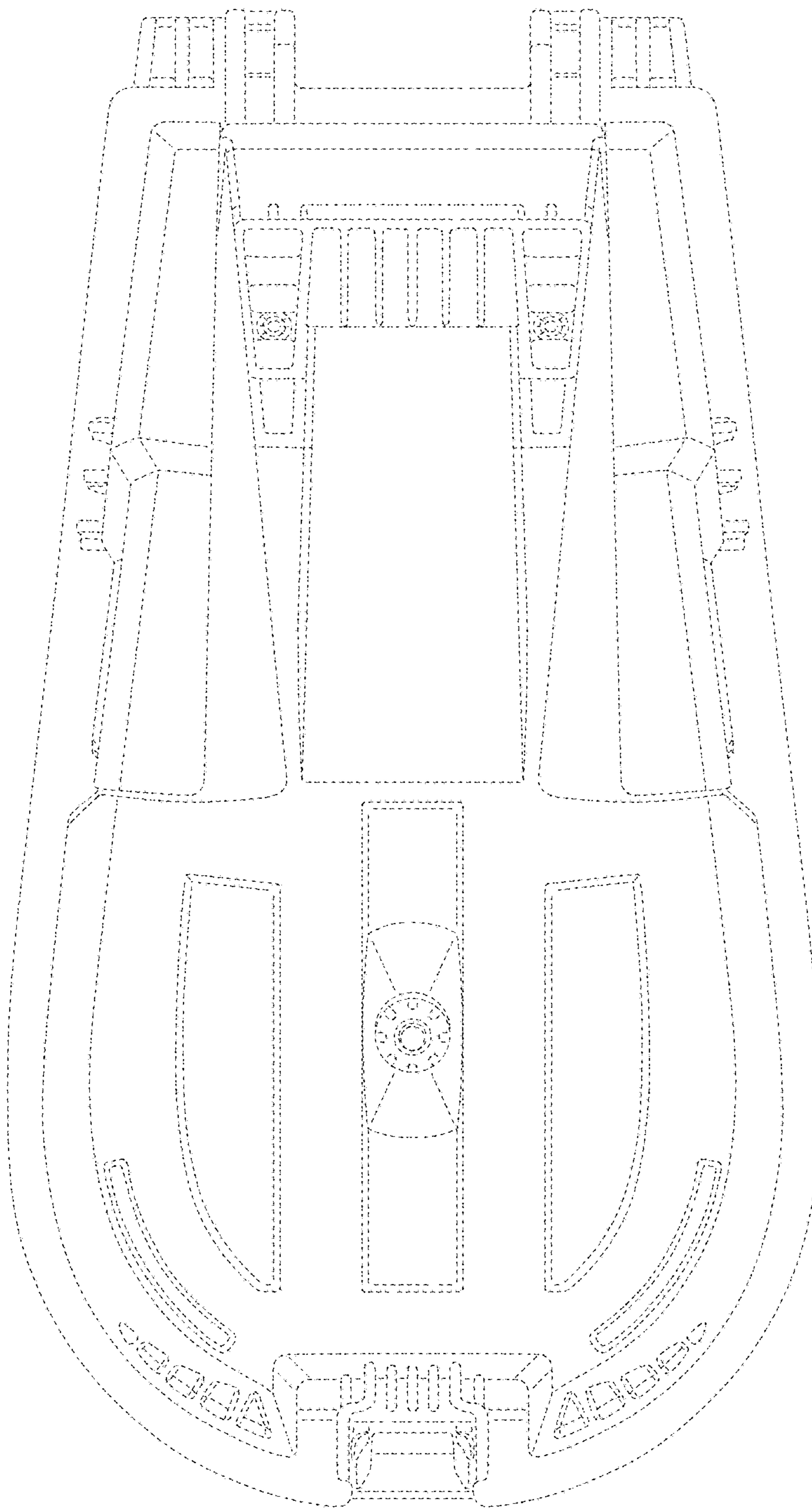


*Figure 6*





*Figure 7*



*Figure 8*