



US00D784637S

(12) **United States Design Patent**
Kim et al.

(10) **Patent No.:** **US D784,637 S**
(45) **Date of Patent:** **** Apr. 18, 2017**

(54) **DRAWER OF WASHING MACHINE**

(71) Applicant: **SAMSUNG ELECTRONICS CO., LTD.**, Suwon-si, Gyeonggi-do (KR)

(72) Inventors: **Kang-Doo Kim**, Seoul (KR);
Ha-Young Jang, Seoul (KR)

(73) Assignee: **SAMSUNG ELECTRONICS CO., LTD.**, Gyeonggi-Do (KR)

(**) Term: **15 Years**

(21) Appl. No.: **29/505,572**

(22) Filed: **Dec. 23, 2015**

(30) **Foreign Application Priority Data**

Aug. 28, 2015 (KR) 30-2015-0043602

(51) **LOC (10) Cl.** **15-05**

(52) **U.S. Cl.**
USPC **D32/25; D32/29**

(58) **Field of Classification Search**
USPC D32/29.1, 29, 28, 6, 25, 8, 1, 5, 10;
D6/510; D7/348-349
CPC D06F 39/045; D06F 29/00; D06F 29/005;
D06F 25/00; D06F 39/022; D06F 33/02;
D06F 2204/065; D06F 35/006; A47L
15/4418

See application file for complete search history.

(56) **References Cited**

U.S. PATENT DOCUMENTS

D521,702 S * 5/2006 No D32/25
D549,408 S * 8/2007 Lee D32/25
D569,065 S * 5/2008 Ritterling D32/25
D617,965 S * 6/2010 Grutzke D32/25
D620,211 S * 7/2010 Shail D32/25
D629,168 S * 12/2010 Park D32/25
D633,670 S * 3/2011 Grutzke D32/25

D645,623 S * 9/2011 Helot D32/25
D665,544 S * 8/2012 Jeon D32/6
D667,179 S * 9/2012 Jeon D32/6
D704,909 S * 5/2014 Jeon D32/25

FOREIGN PATENT DOCUMENTS

RU 00099516 * 11/2015

OTHER PUBLICATIONS

Laundry Pedestal, posted by LG posted review date 2014, © LG.com, [online], [site visited Jan. 4, 2017]. Available from Internet, <URL: <http://www.lg.com/us/laundry-accessories/lg-WDP4R-laundry-pedestal>>.*

(Continued)

Primary Examiner — Caron D Veynar

Assistant Examiner — Laura Yu

(74) *Attorney, Agent, or Firm* — Cantor Colburn LLP

(57) **CLAIM**

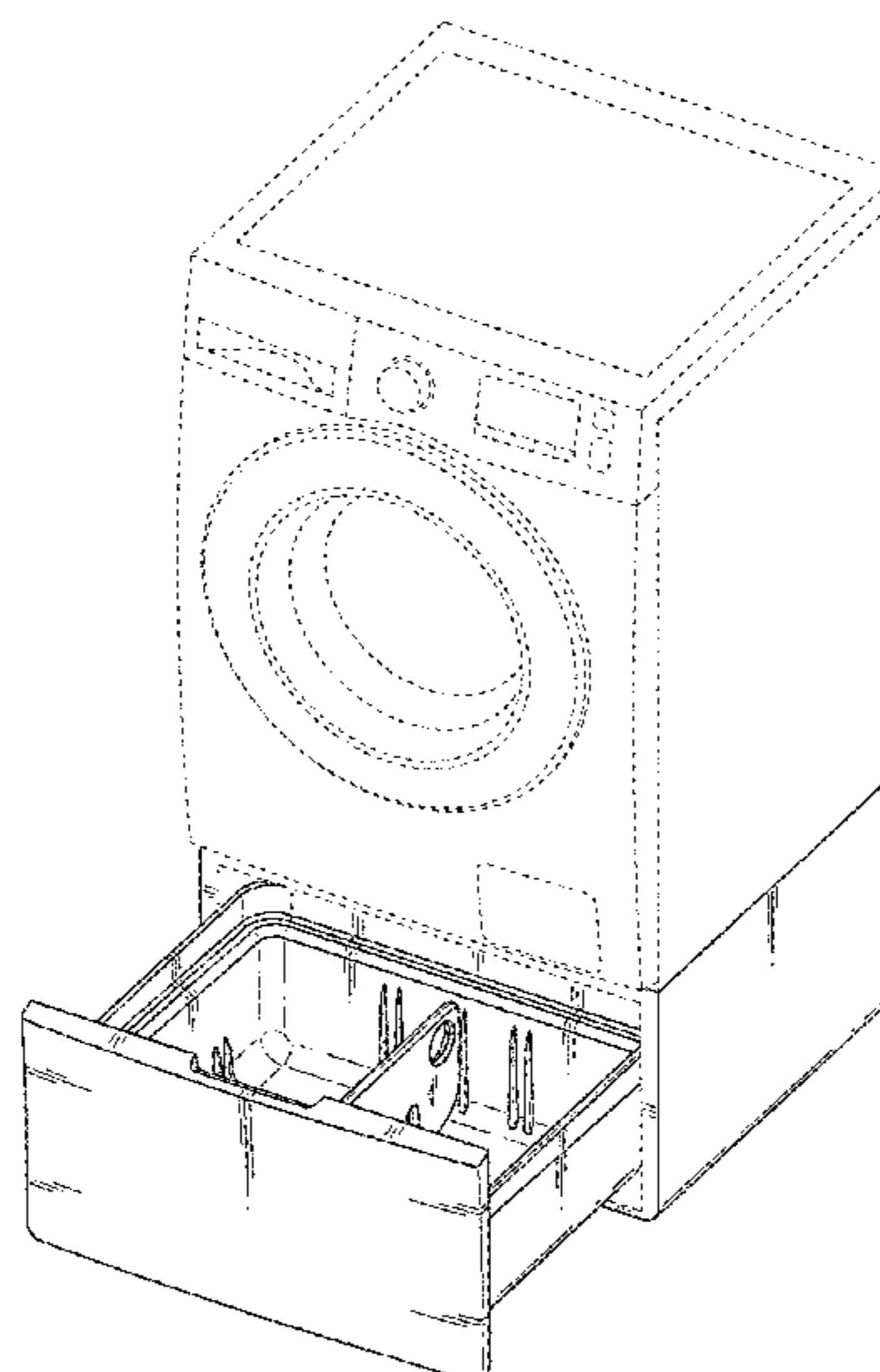
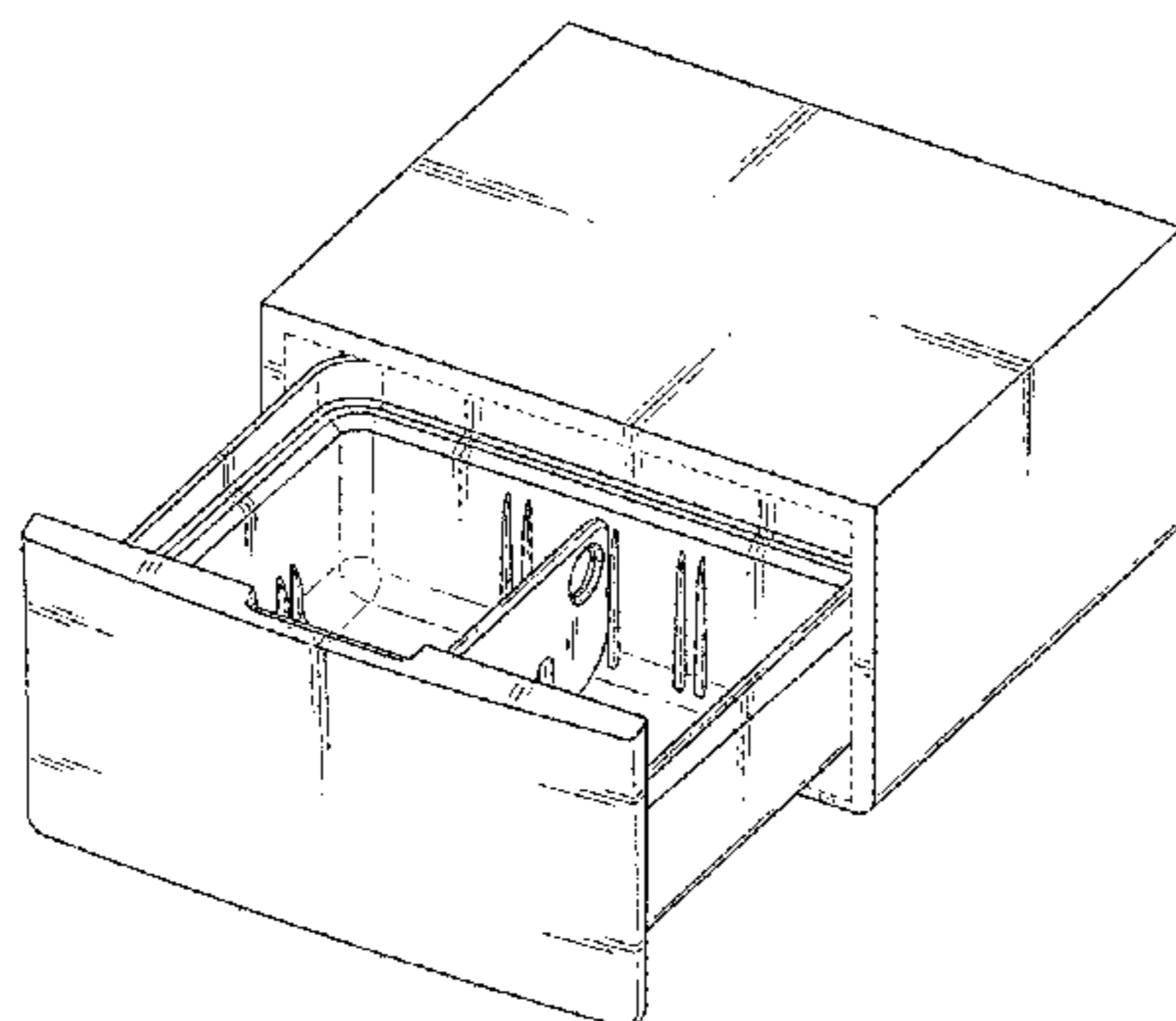
The ornamental design for a drawer of washing machine, as shown and described.

DESCRIPTION

FIG. 1 is a front perspective view of a drawer of washing machine, showing our new design;
FIG. 2 is a front view thereof;
FIG. 3 is a rear view thereof;
FIG. 4 is a side view thereof;
FIG. 5 is another side view thereof;
FIG. 6 is a top view thereof;
FIG. 7 is a bottom view thereof;
FIG. 8 is another perspective view thereof;
FIG. 9 is an exploded perspective view thereof; and,
FIG. 10 is another perspective view thereof in an environment of use.

The broken lines are for environmental purposes only and form no part of the claimed design.

1 Claim, 8 Drawing Sheets



(56)

References Cited

OTHER PUBLICATIONS

Frigidaire 15" Laundry Pedestal, posted by Mountain High Appliance, © Mountain High Appliance 2017, [online], [site visited Jan. 4, 2017]. Available from Internet, <URL: <http://www.mountainhighappliance.com/en/cp-clearance-laundry-pedestals>>.*

* cited by examiner

FIG. 1

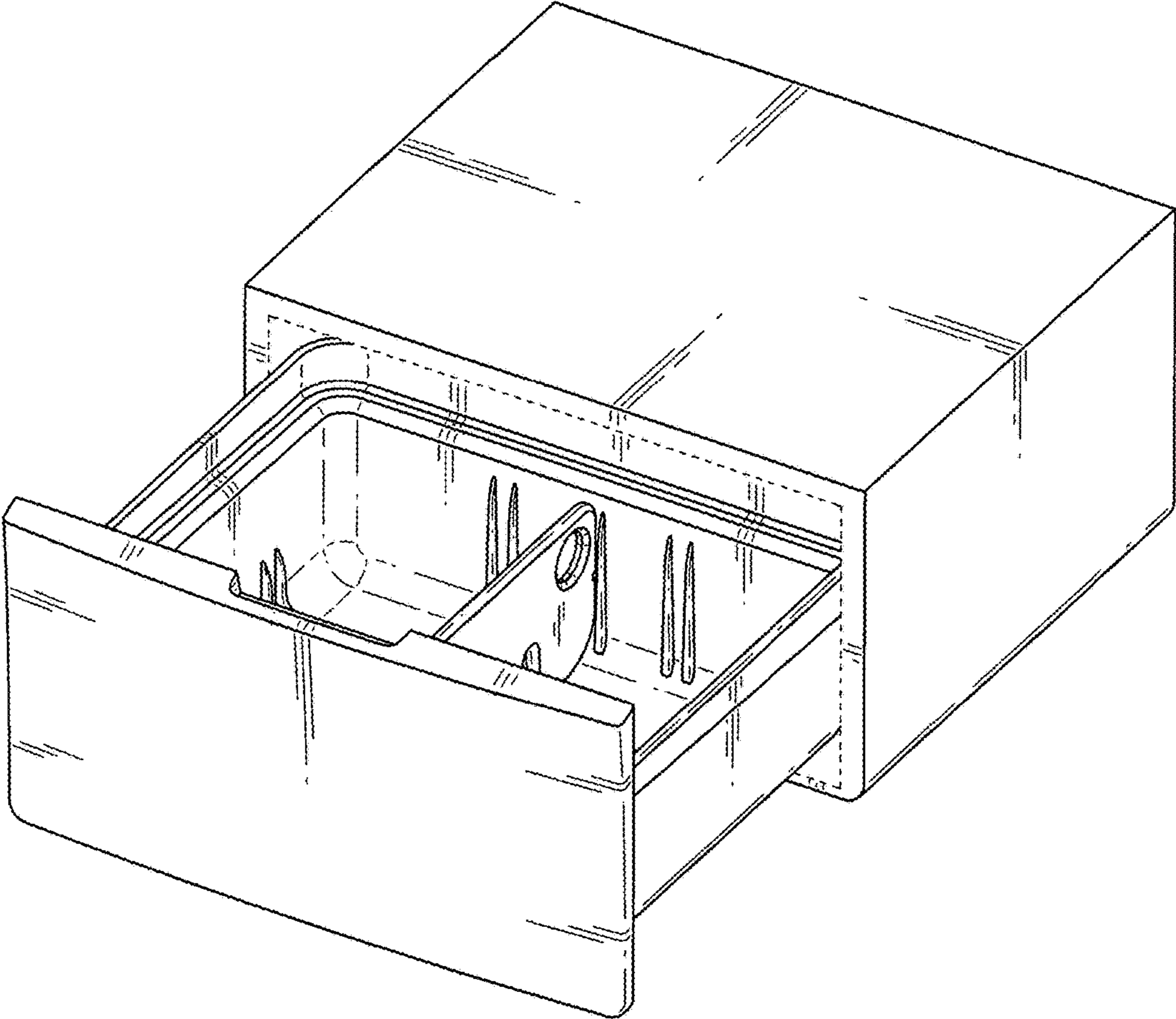


FIG. 2

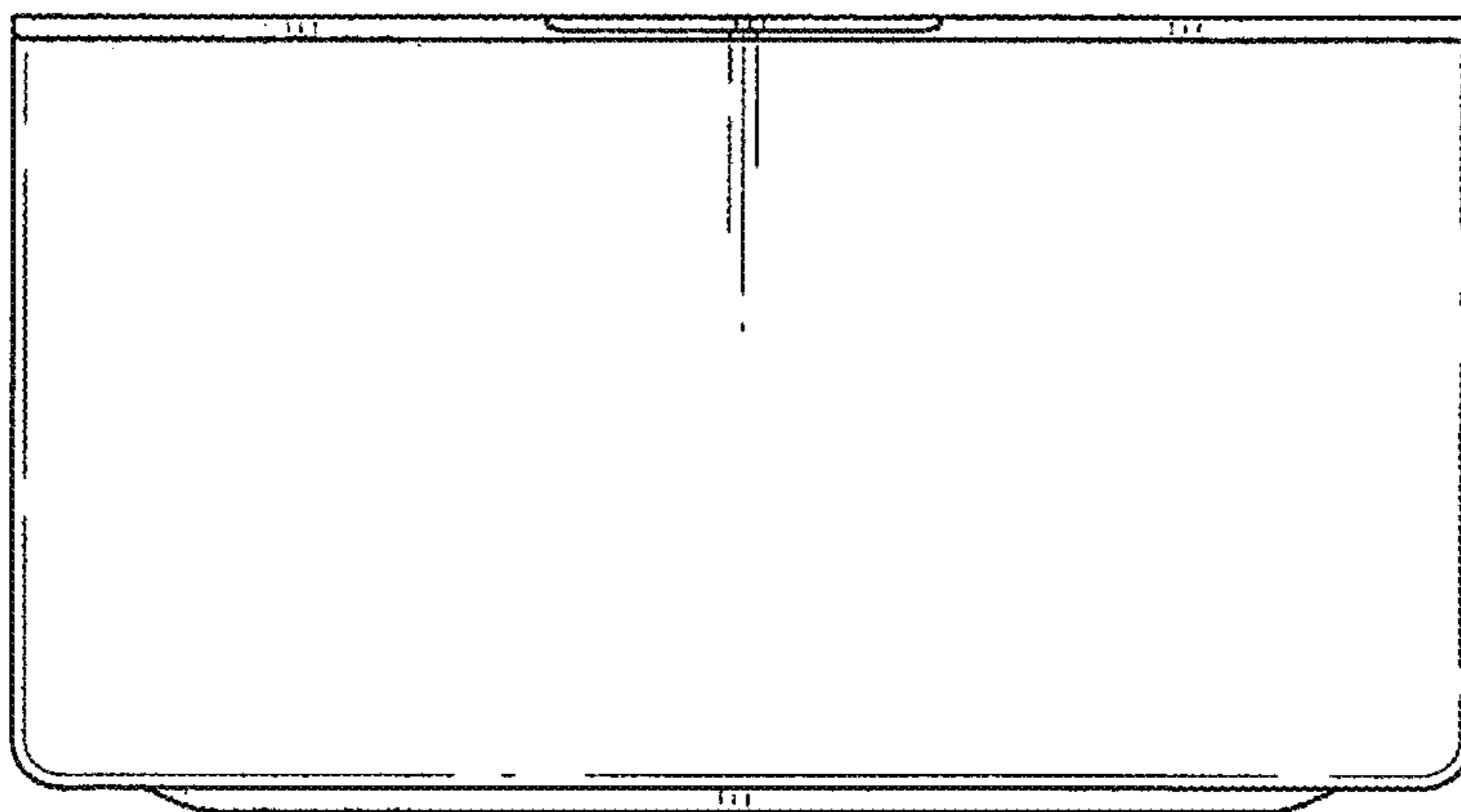


FIG. 3

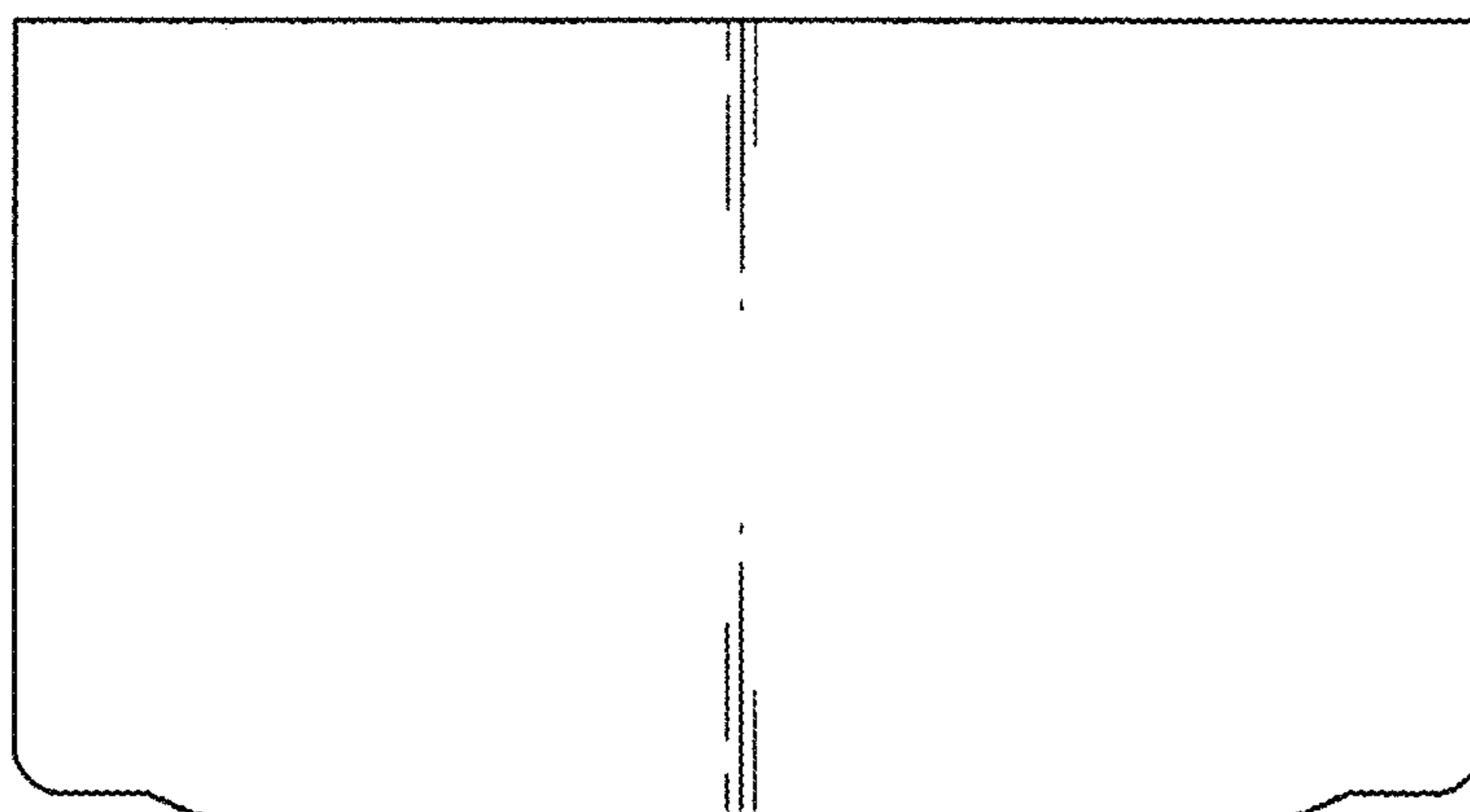


FIG. 4

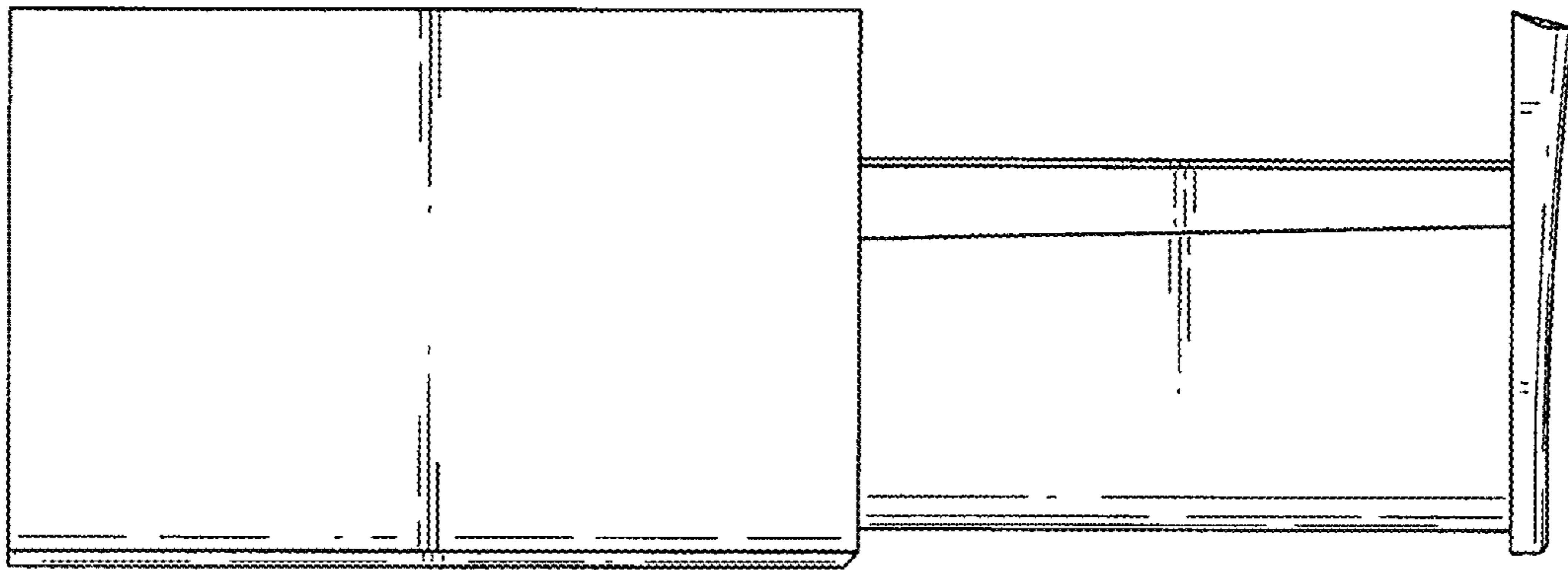


FIG. 5

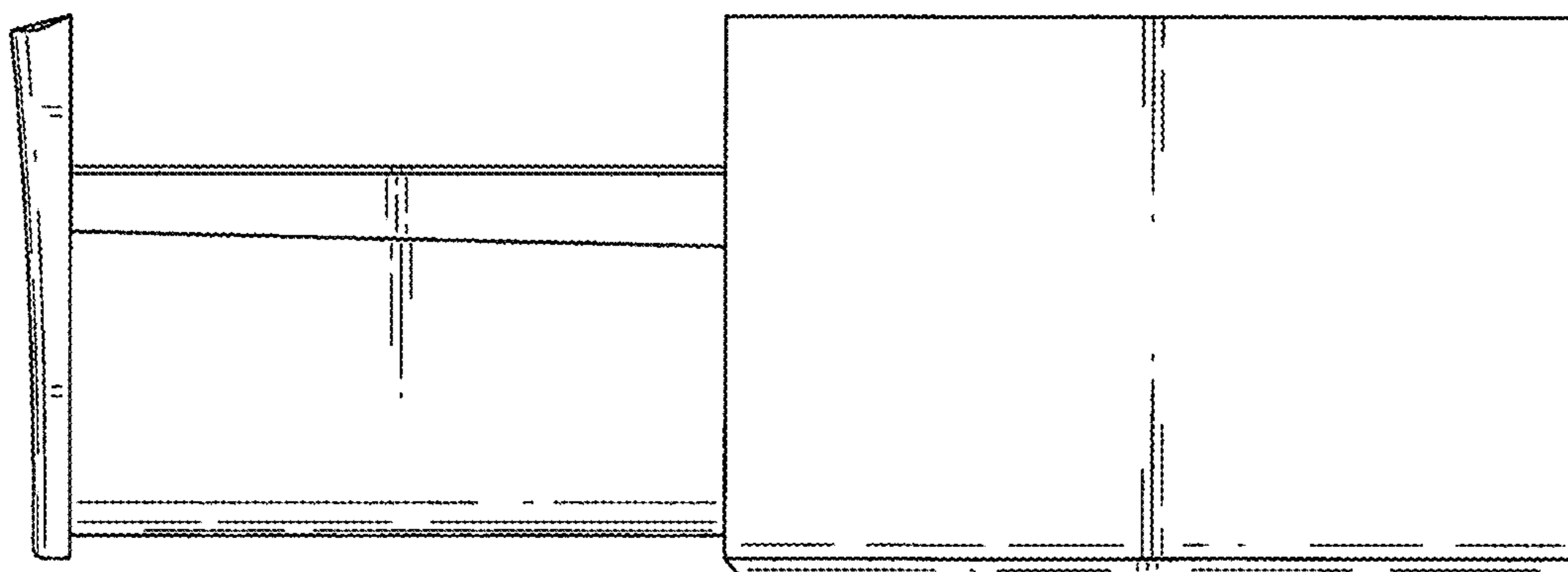


FIG. 6

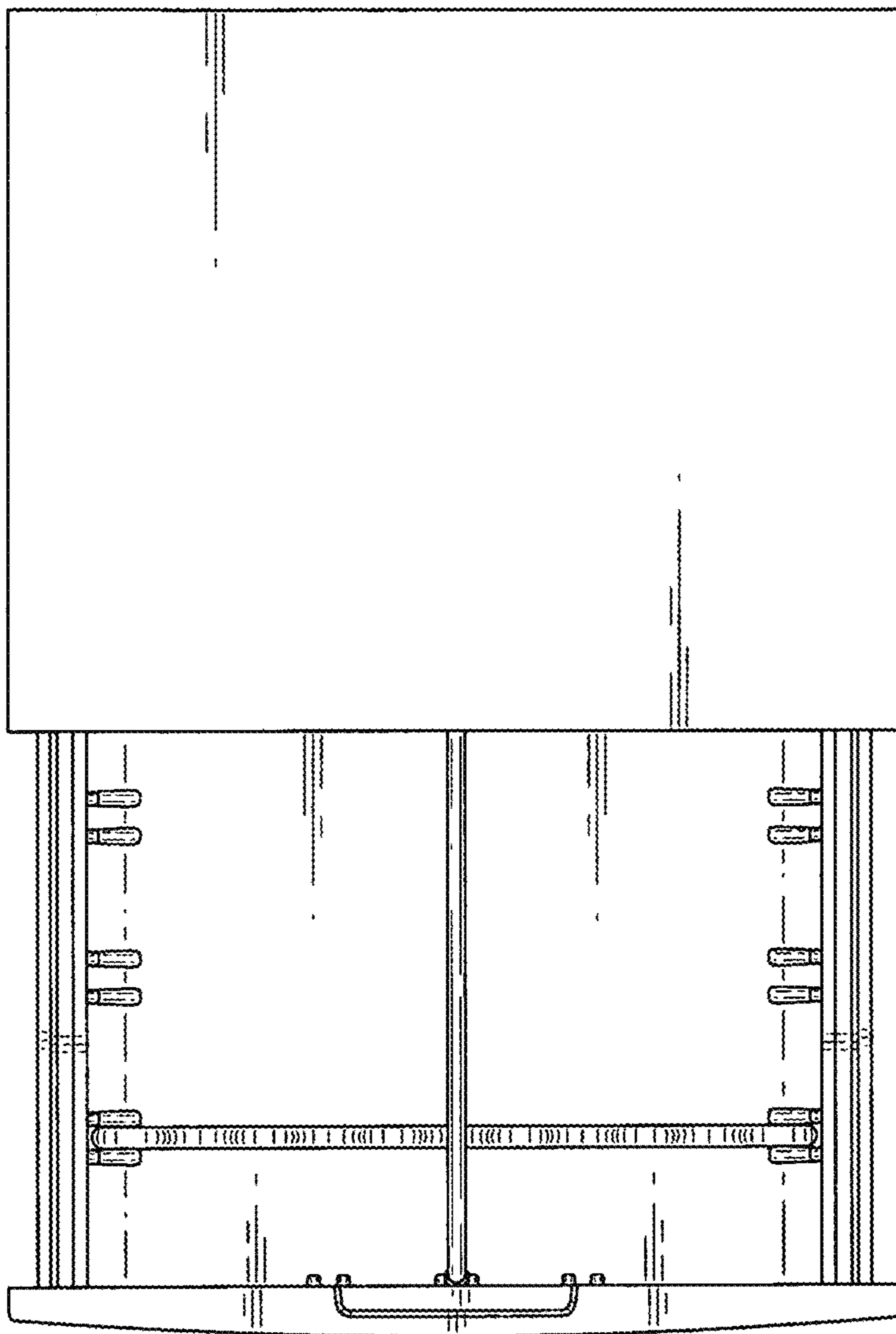


FIG. 7

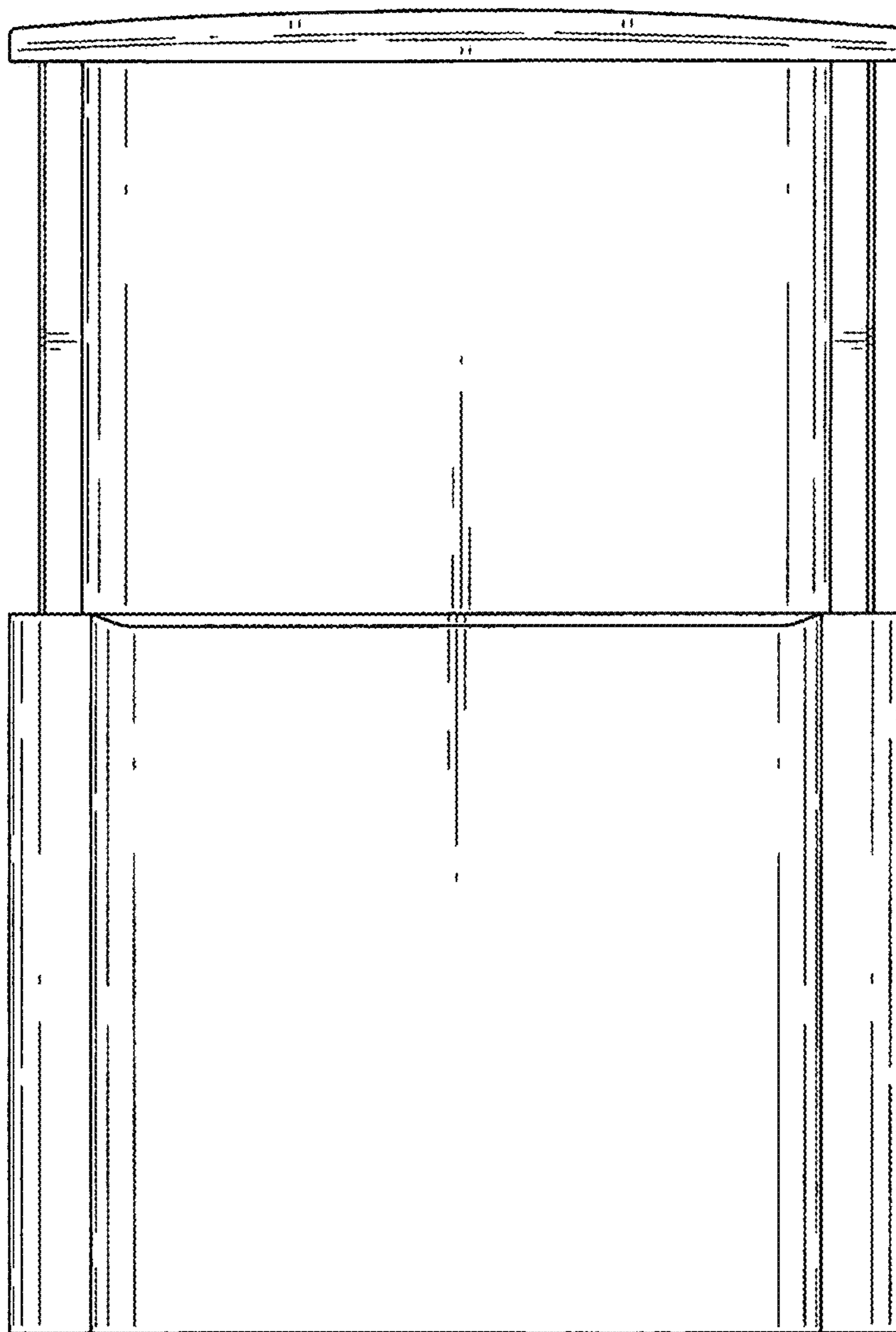


FIG. 8

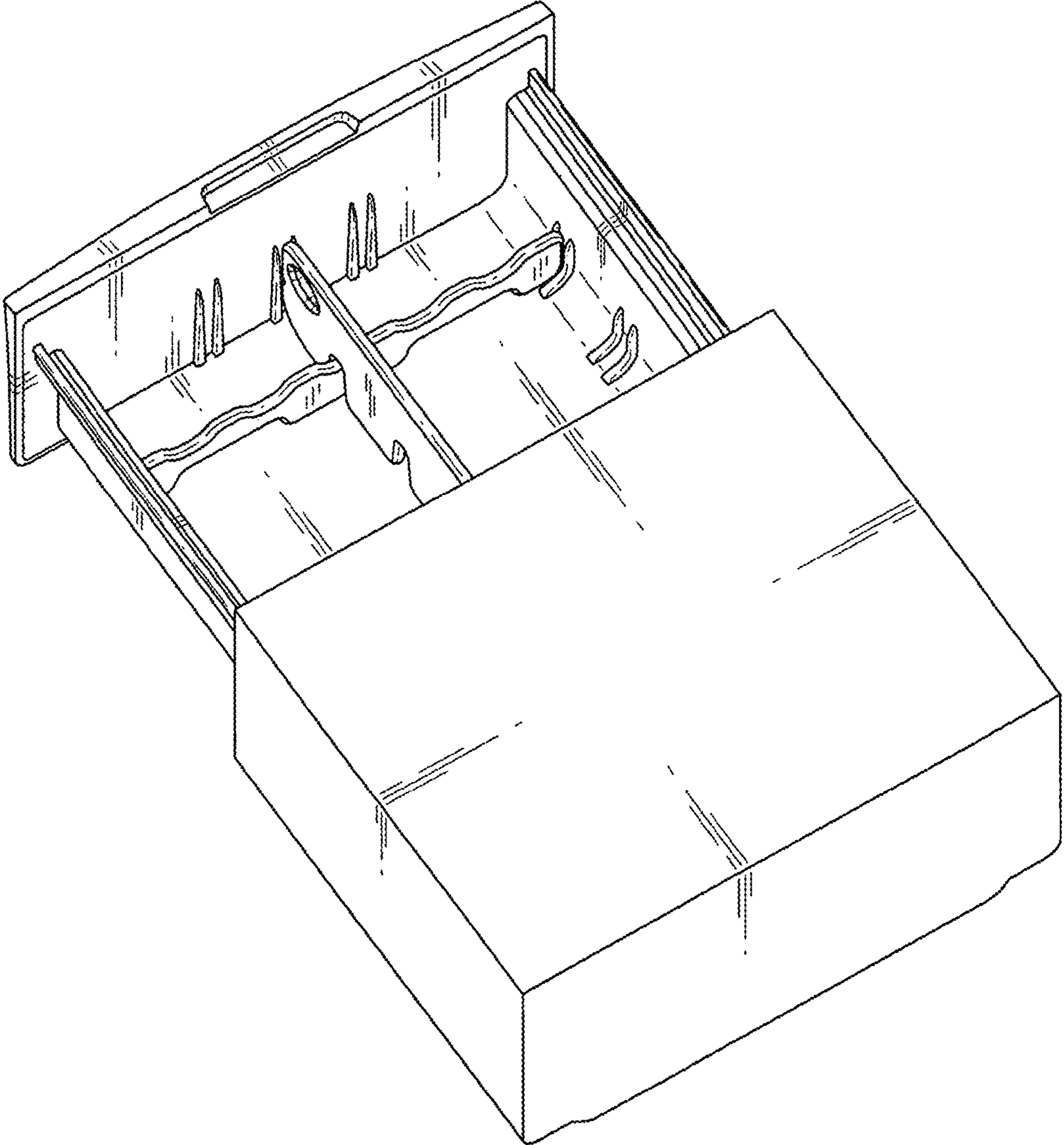


FIG. 9

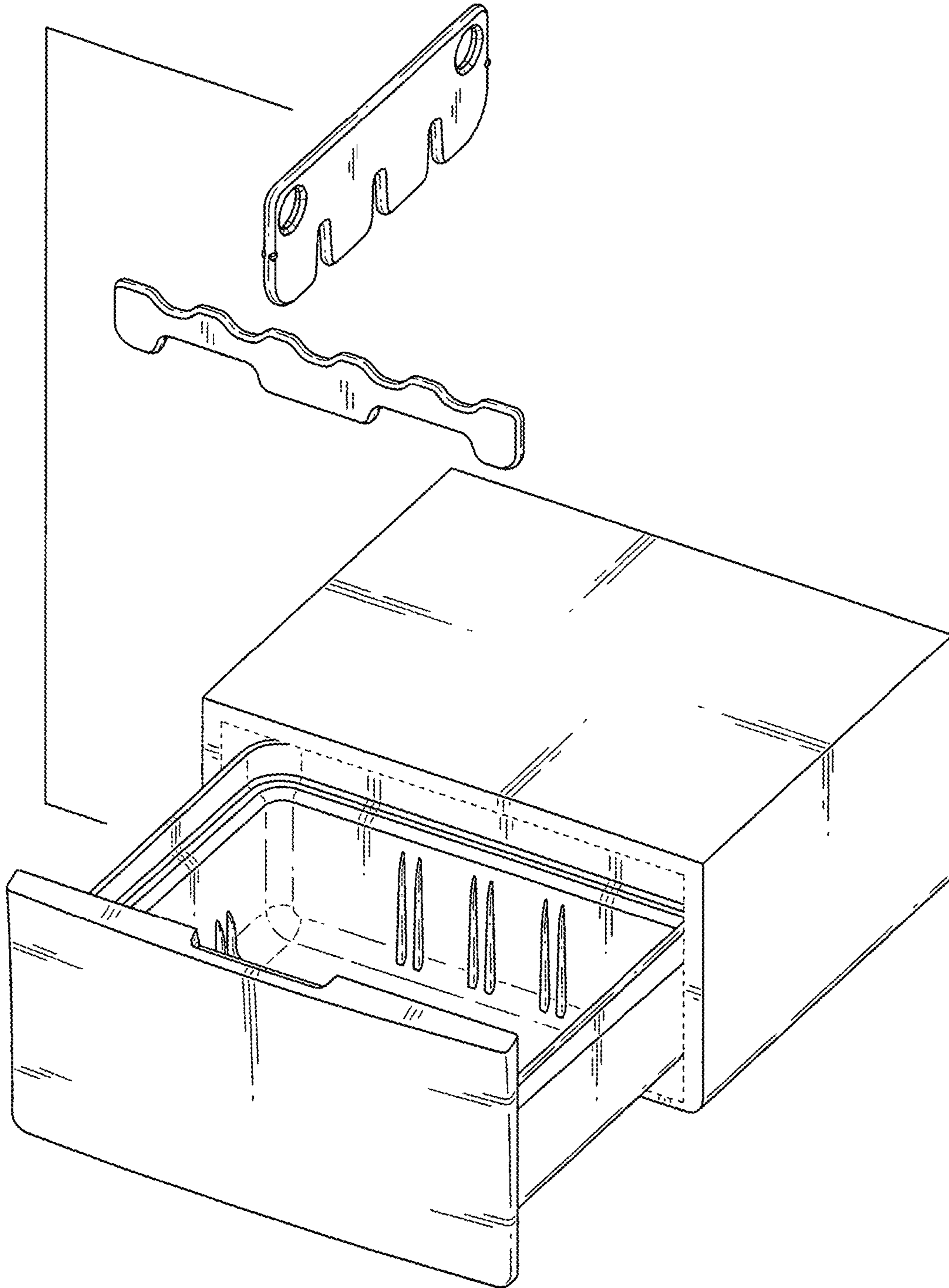


FIG. 10

