



US00D784636S

(12) **United States Design Patent**
Canas et al.

(10) **Patent No.:** **US D784,636 S**

(45) **Date of Patent:** **** Apr. 18, 2017**

(54) **VACUUM CLEANER**

(71) Applicants: **Luis A. Canas**, Stoughton, MA (US);
Owen R. Johnson, Needham, MA (US)

(72) Inventors: **Luis A. Canas**, Stoughton, MA (US);
Owen R. Johnson, Needham, MA (US)

(73) Assignee: **SharkNinja Operating LLC**, Newton,
MA (US)

(**) Term: **15 Years**

(21) Appl. No.: **29/527,837**

(22) Filed: **May 22, 2015**

(51) **LOC (10) Cl.** **15-05**

(52) **U.S. Cl.**
USPC **D32/22**

(58) **Field of Classification Search**
USPC D32/21–22, 31, 34, 25
CPC A47L 11/34; A47L 11/29; A47L 11/30;
A47L 7/0019; A47L 7/0004; A47L
7/0023; A47L 9/00; A47L 9/1409; A47L
5/36–5/367; A47L 5/28
See application file for complete search history.

(56) **References Cited**

U.S. PATENT DOCUMENTS

6,012,200	A	1/2000	Murphy et al.
6,226,832	B1	5/2001	McCormick
7,200,893	B2	4/2007	Gerber et al.
7,329,294	B2	2/2008	Conrad
7,690,079	B2	4/2010	Boddy et al.

D670,878	S *	11/2012	Lee	D32/22
8,402,601	B2	3/2013	Fahlstrom		
8,631,541	B2	1/2014	Tran		
8,776,311	B2	7/2014	Genn et al.		
D739,104	S *	9/2015	Johnson	D32/31
D740,505	S *	10/2015	Gidwell	D32/31
D751,261	S *	3/2016	Thorne	D32/22
2015/0143659	A1 *	5/2015	Pilch	A47L 9/1691 15/347

FOREIGN PATENT DOCUMENTS

JP	H10201682	A	8/1998
WO	2014131106	A1	9/2014

* cited by examiner

Primary Examiner — Ruth McInroy

(74) *Attorney, Agent, or Firm* — Grossman Tucker
Perreault & Pfeleger, PLLC

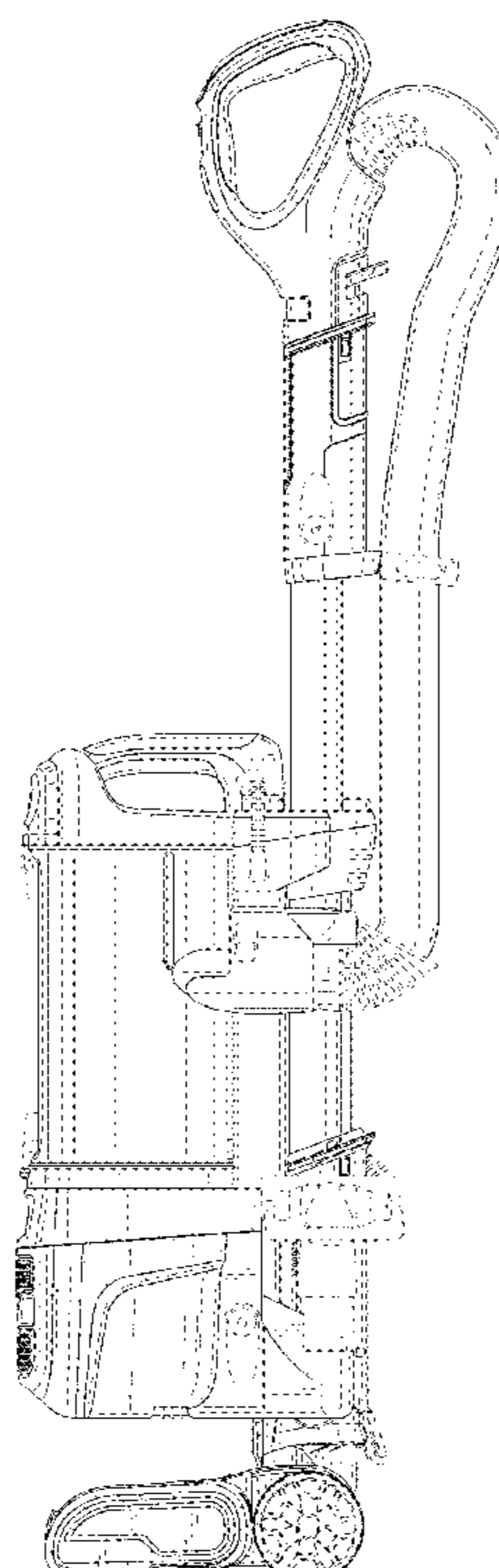
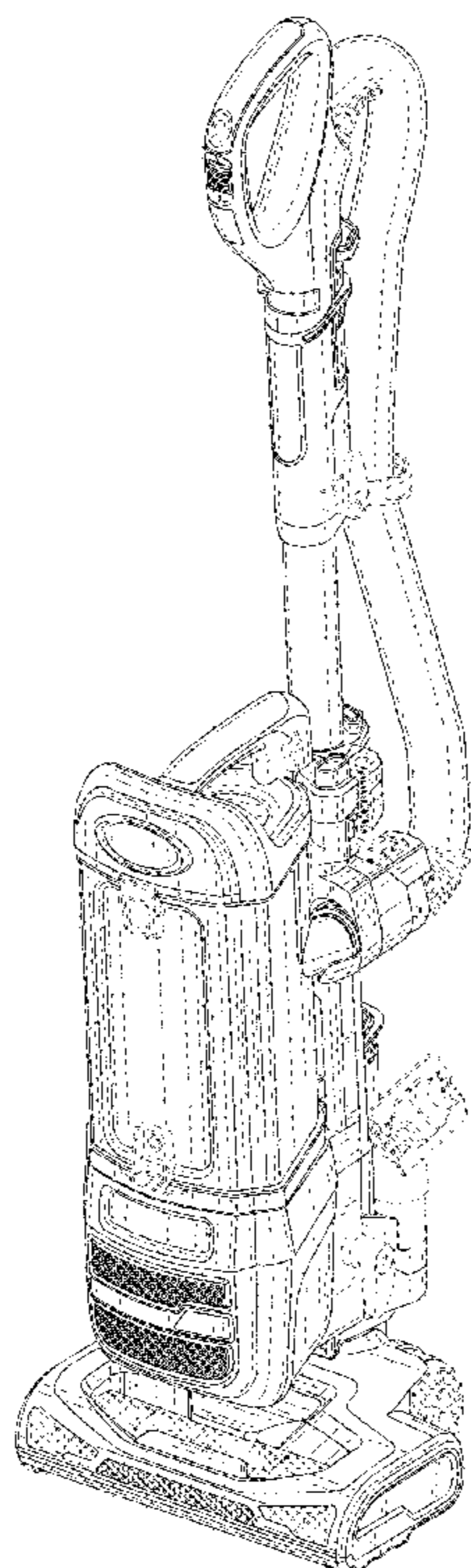
(57) **CLAIM**

The ornamental design for a vacuum cleaner, as shown and described.

DESCRIPTION

FIG. 1 is a top perspective view of a vacuum cleaner showing our new design;
FIG. 2 is a front elevational view of FIG. 1;
FIG. 3 is a rear elevational view of FIG. 1
FIG. 4 is a left side elevational view of FIG. 1
FIG. 5 is a right side elevational view of FIG. 1; and,
FIG. 6 is a top plan view of FIG. 1.
The broken lines in the drawings are for illustrative purposes only and form no part of the claimed design.

1 Claim, 6 Drawing Sheets



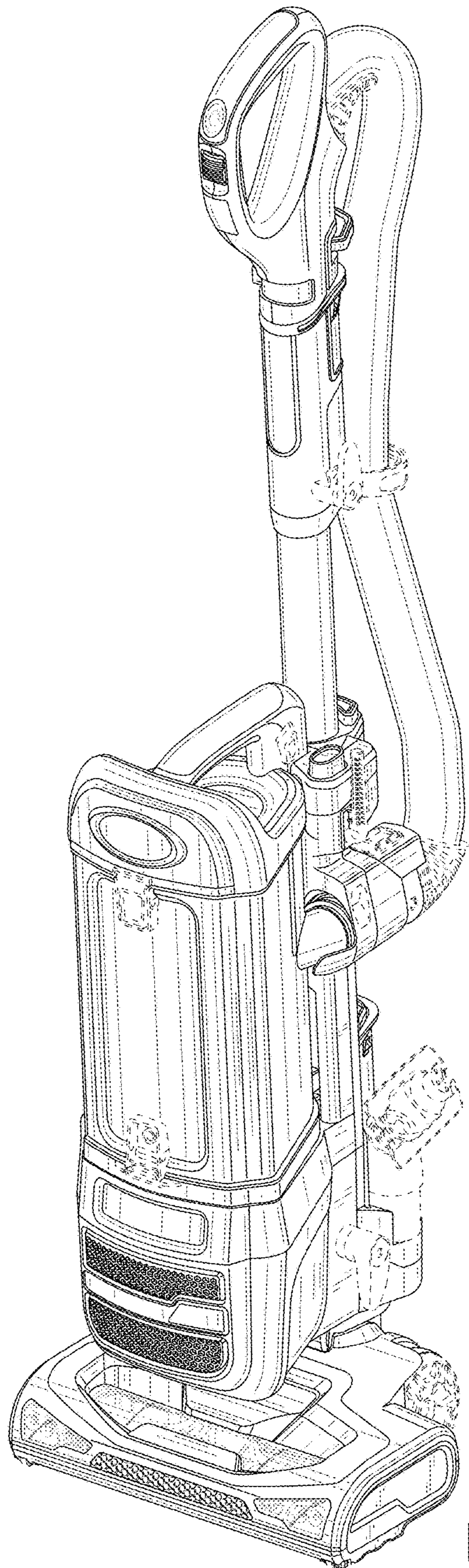


FIG. 1

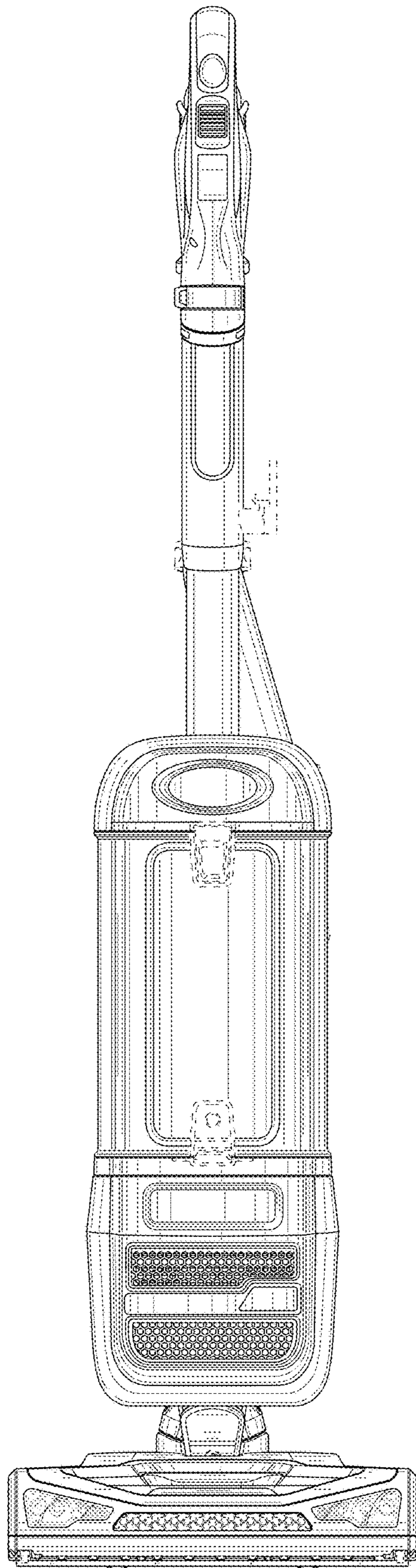


FIG. 2

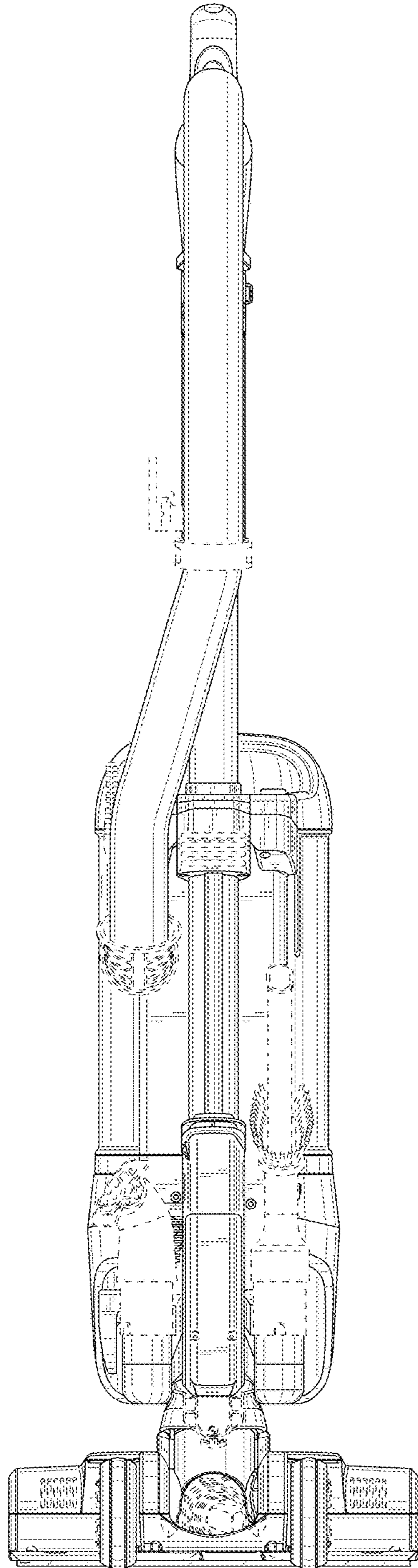


FIG. 3

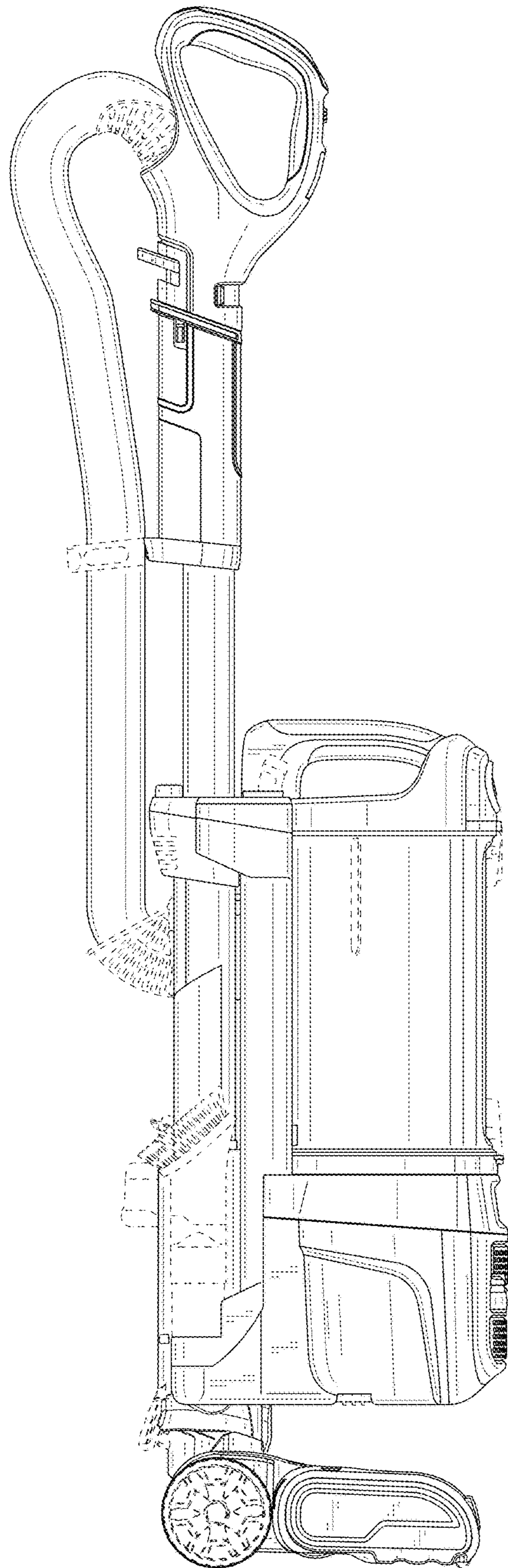


FIG. 4

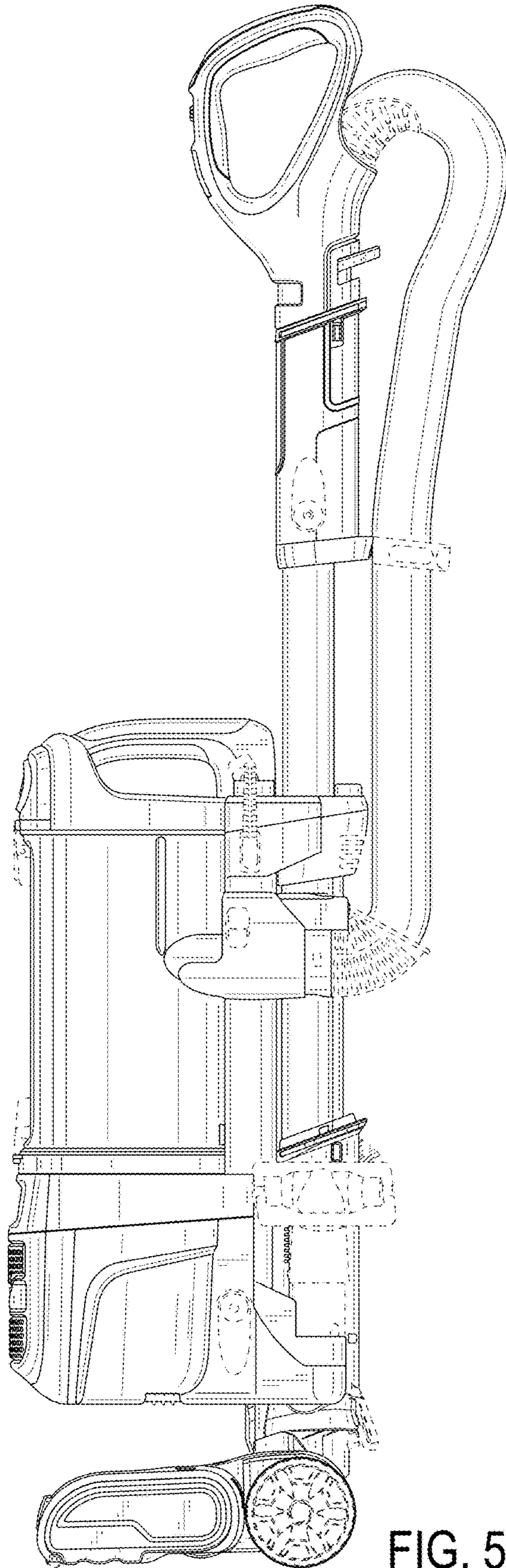


FIG. 5

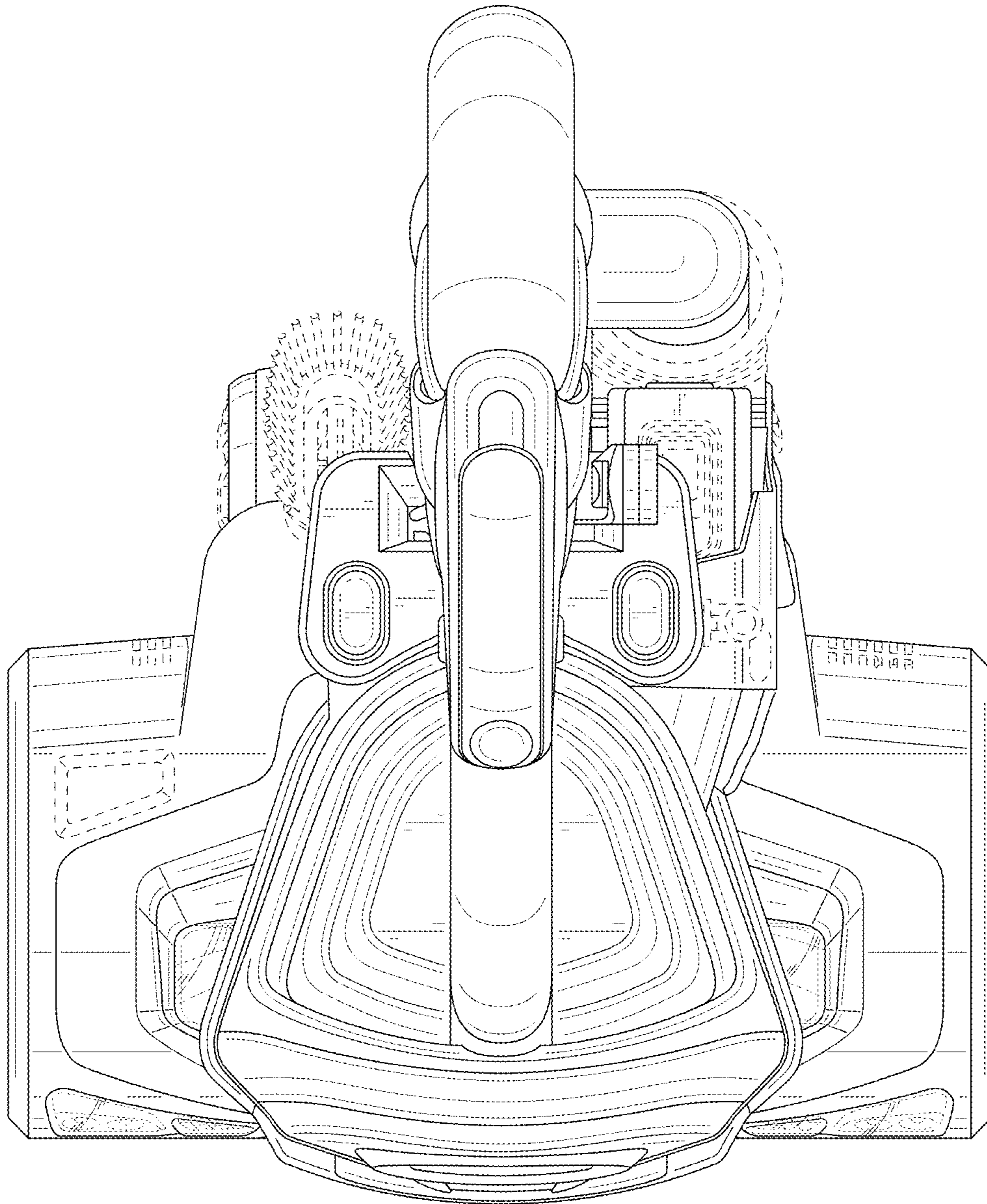


FIG. 6