



US00D784634S

(12) **United States Design Patent**
Kim et al.

(10) **Patent No.:** **US D784,634 S**
(45) **Date of Patent:** **** Apr. 18, 2017**

(54) **VACUUM CLEANER**

(71) Applicant: **Samsung Electronics Co., Ltd.**,
Suwon-si (KR)

(72) Inventors: **Kyung-Tae Kim**, Seoul (KR);
Yeon-Young Nam, Goyang-Si (KR)

(73) Assignee: **Samsung Electronics Co., Ltd.**,
Suwon-si (KR)

(**) Term: **15 Years**

(21) Appl. No.: **29/548,377**

(22) Filed: **Dec. 14, 2015**

(30) **Foreign Application Priority Data**

Jun. 18, 2015 (KR) 30-2015-0030821

(51) **LOC (10) Cl.** **15-05**

(52) **U.S. Cl.**
USPC **D32/21**

(58) **Field of Classification Search**
USPC D32/21-23, 31, 34
CPC G06N 3/008; A47L 9/2857; A47L 9/2842;
A47L 9/2852; A47L 9/00; A47L 9/325;
A47L 5/36-5/367; A47L 7/0019; A47L
7/0004; A47L 11/34; A47L 11/29; A47L
11/30; E04H 4/1654

See application file for complete search history.

(56) **References Cited**

U.S. PATENT DOCUMENTS

D577,164 S * 9/2008 Williams D32/21
D600,416 S * 9/2009 Shin D32/21

D600,531 S * 9/2009 Marko D8/301
D667,180 S * 9/2012 Ghim D32/21
D670,464 S * 11/2012 Mastio D32/21
D711,604 S * 8/2014 Park D32/21
D714,004 S * 9/2014 Shin D32/31
D718,503 S * 11/2014 Jang D32/21
9,101,252 B2 * 8/2015 Conrad A47L 5/362
2001/0029641 A1 * 10/2001 Uratani A47L 5/362
15/327.4

* cited by examiner

Primary Examiner — Ruth McInroy

(74) *Attorney, Agent, or Firm* — NSIP Law

(57) **CLAIM**

We claim the ornamental design for a vacuum cleaner, as shown and described.

DESCRIPTION

FIG. 1 is a front perspective view of a vacuum cleaner showing our new design;
FIG. 2 is a front view thereof;
FIG. 3 is a rear view thereof;
FIG. 4 is a left-side view thereof;
FIG. 5 is a right-side view thereof;
FIG. 6 is a top view thereof; and,
FIG. 7 is a bottom view thereof.

The broken lines in the figures show portions of the vacuum cleaner which form no part of the claimed design.

1 Claim, 7 Drawing Sheets

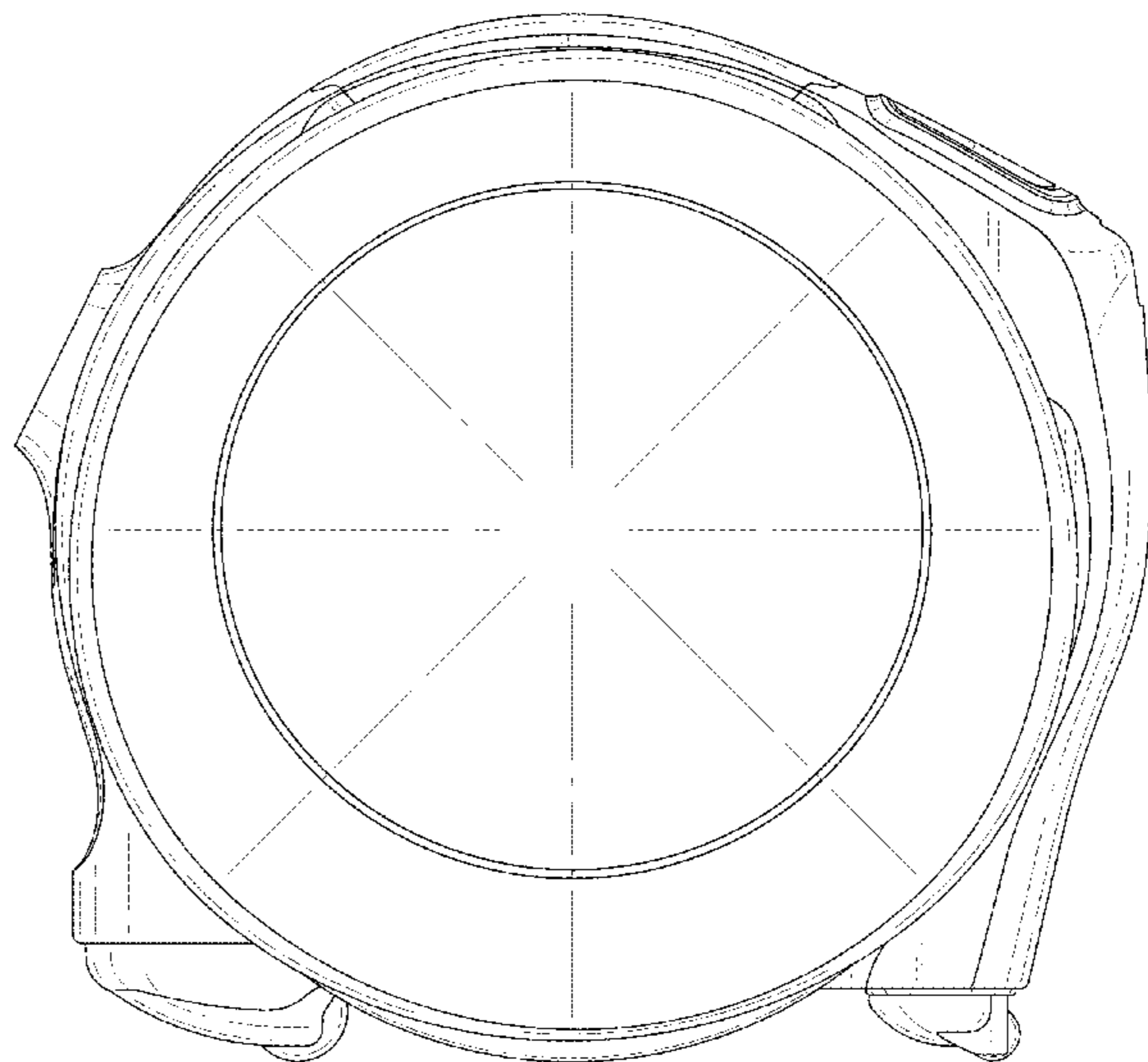
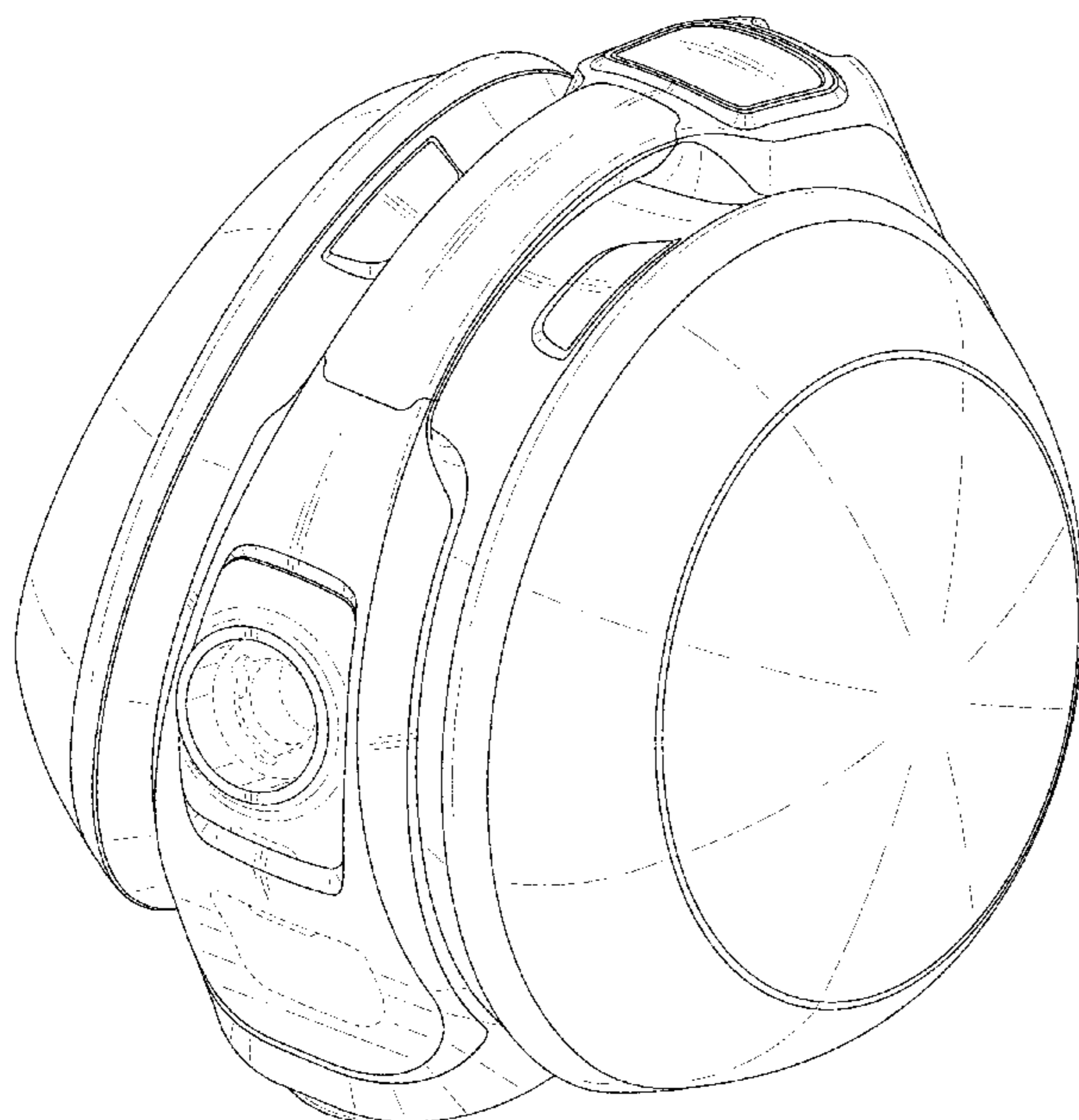


FIG. 1

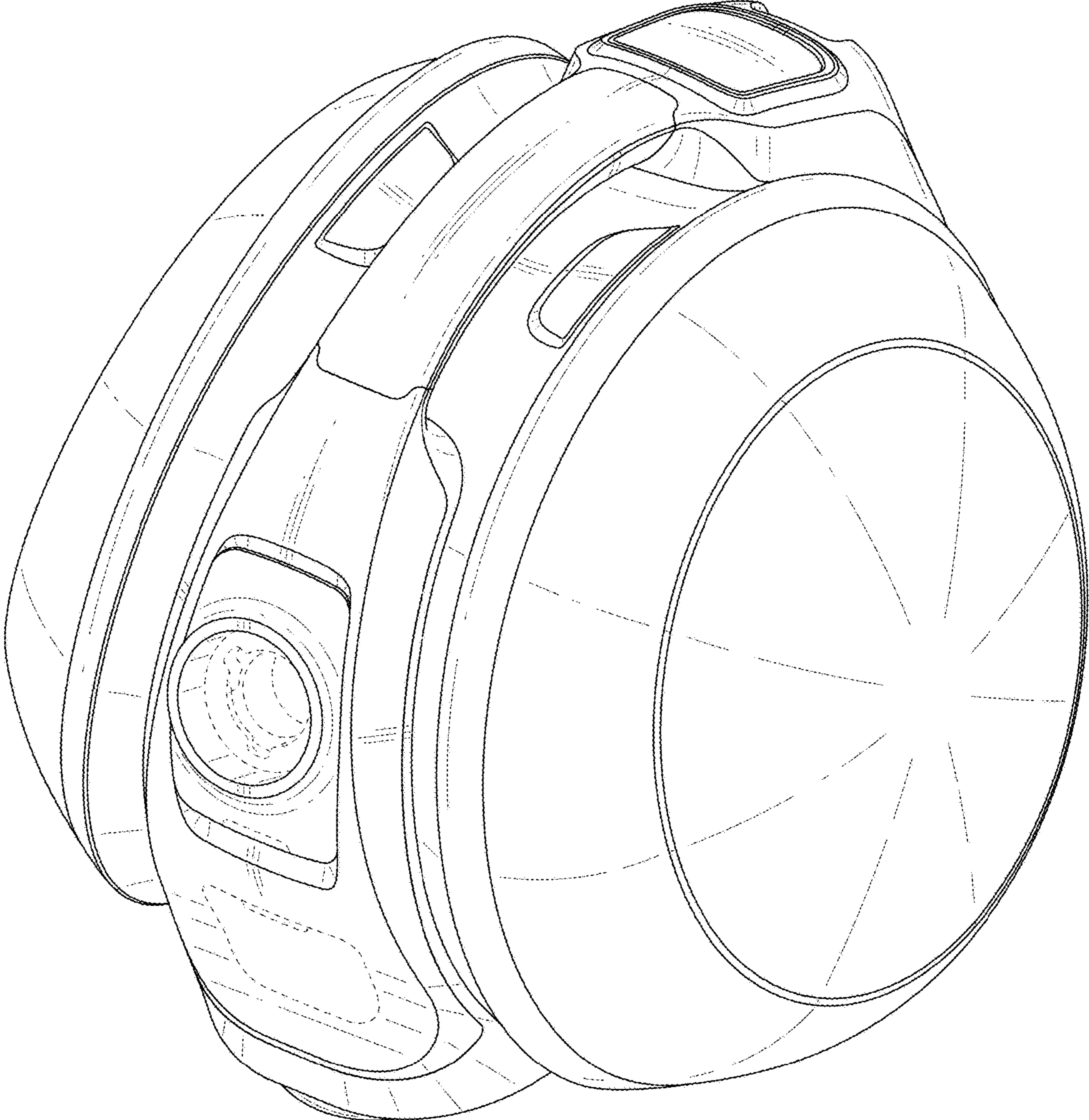


FIG. 2

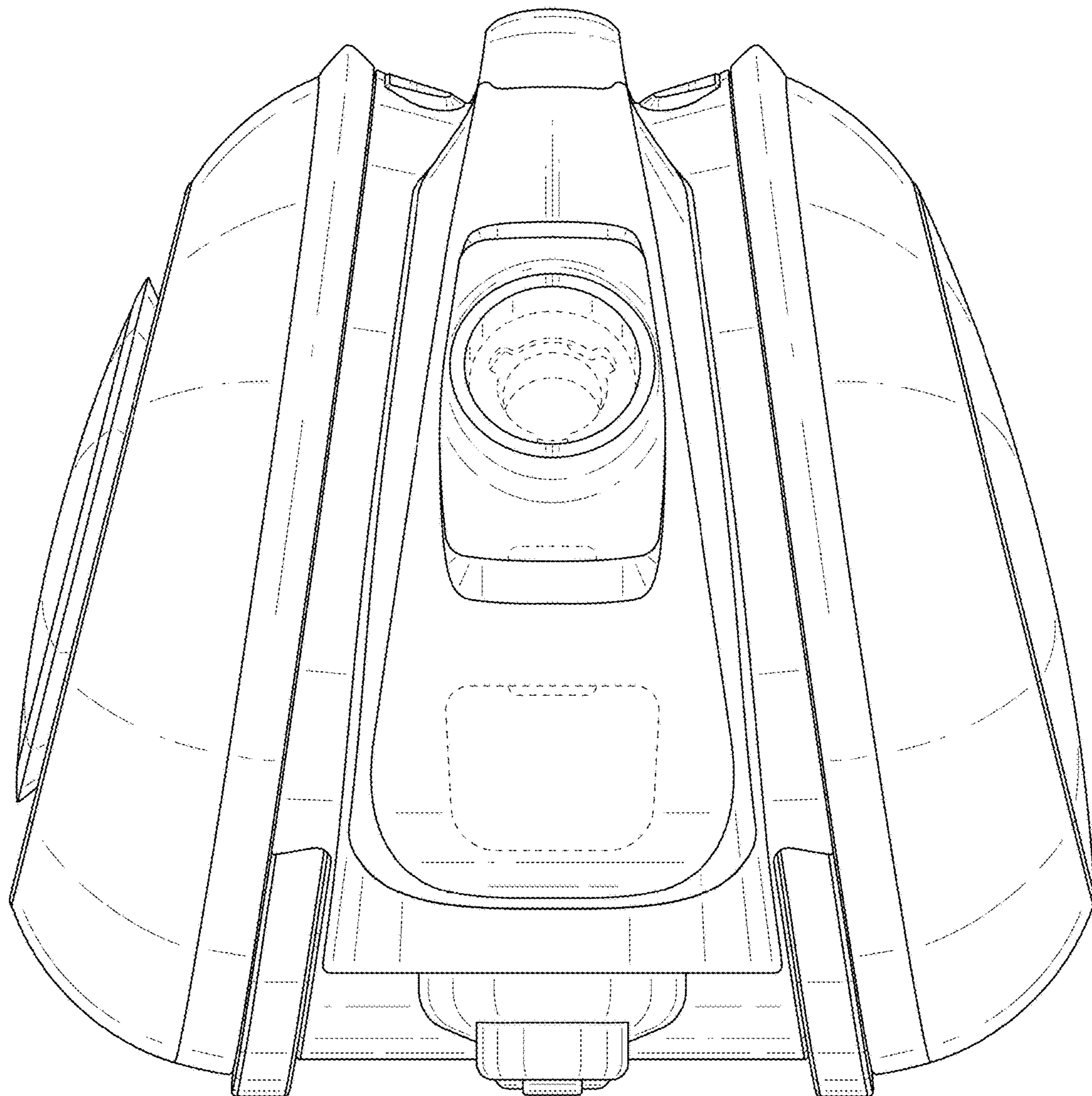


FIG. 3

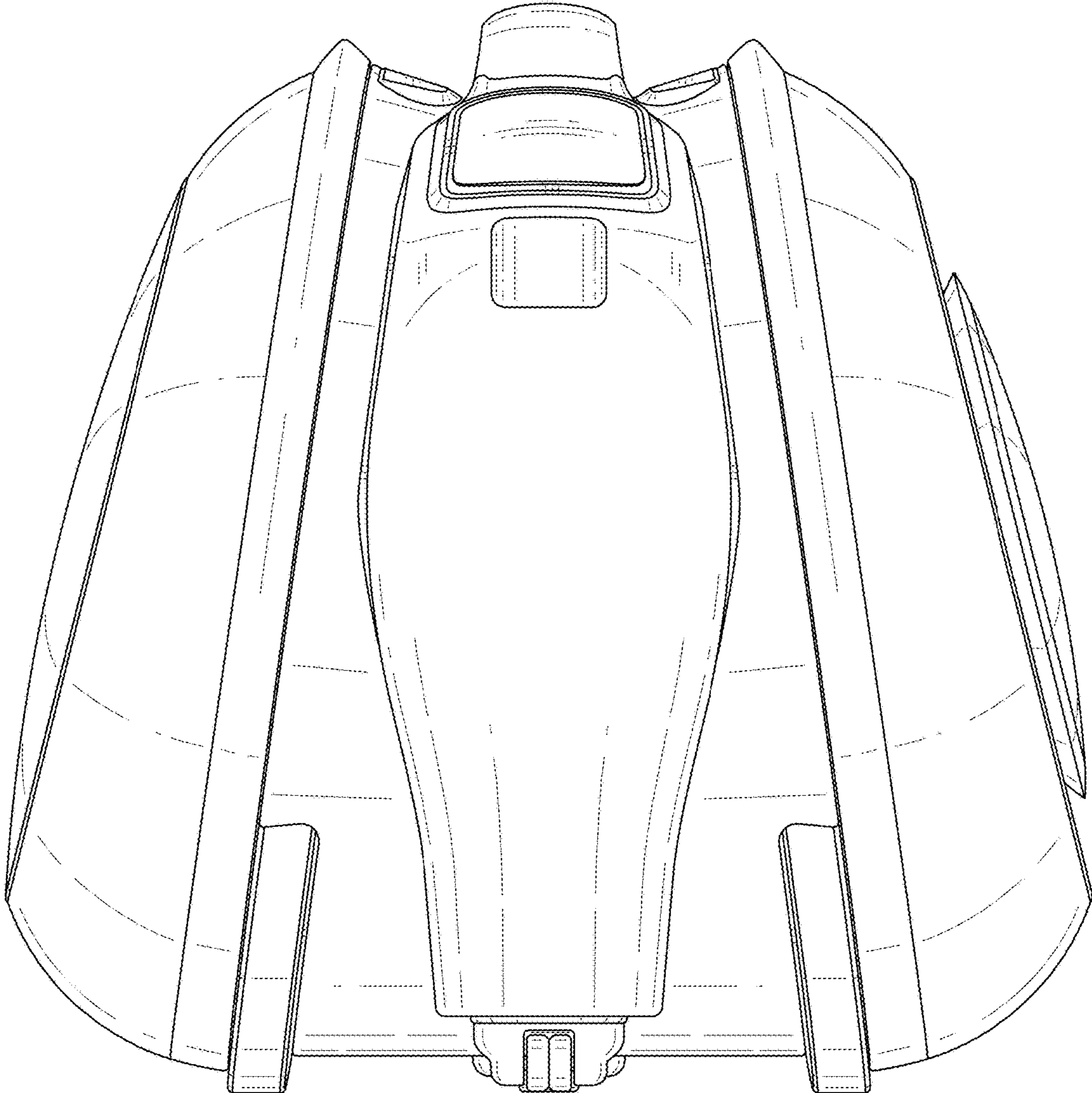


FIG. 4

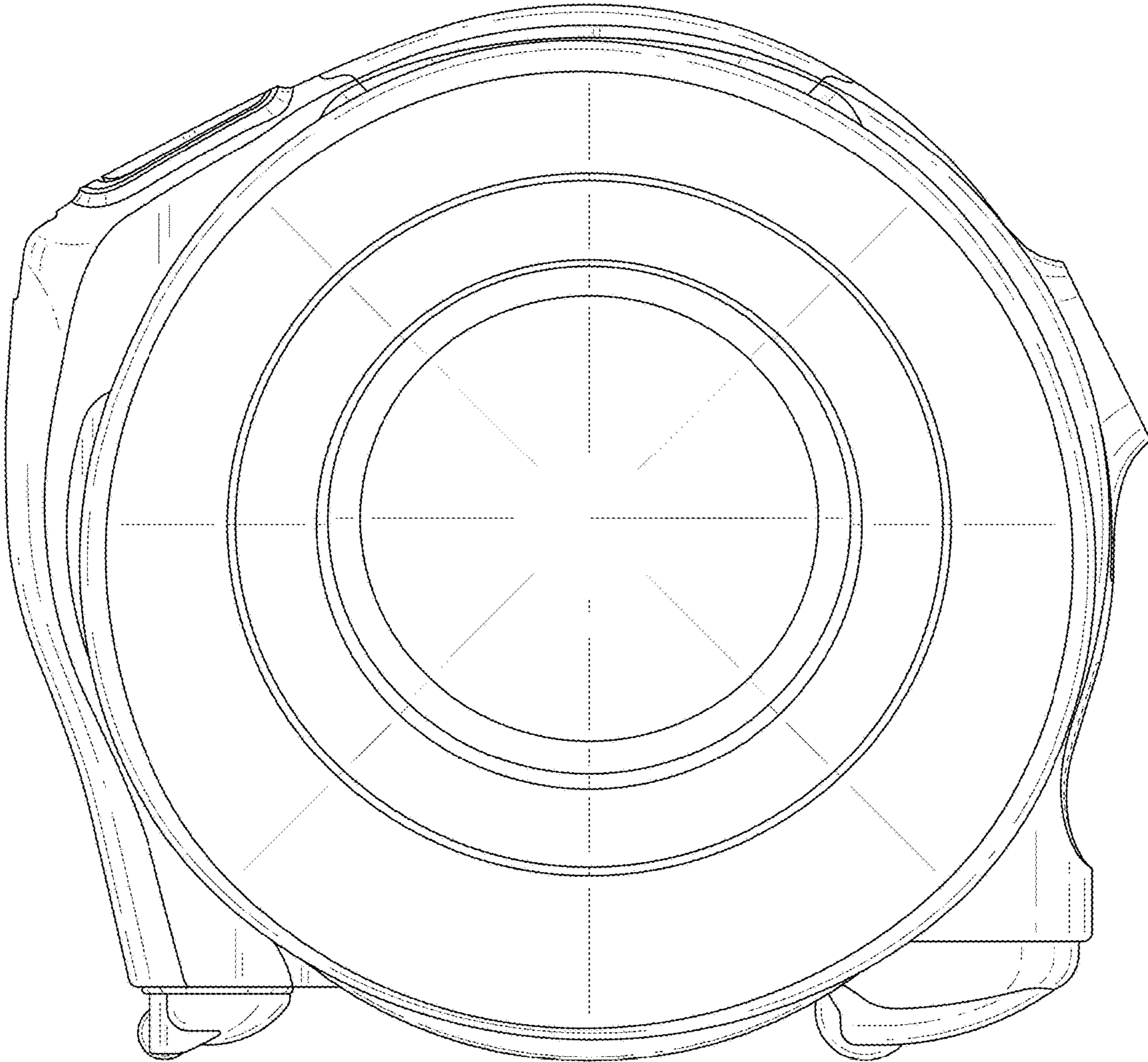


FIG. 5

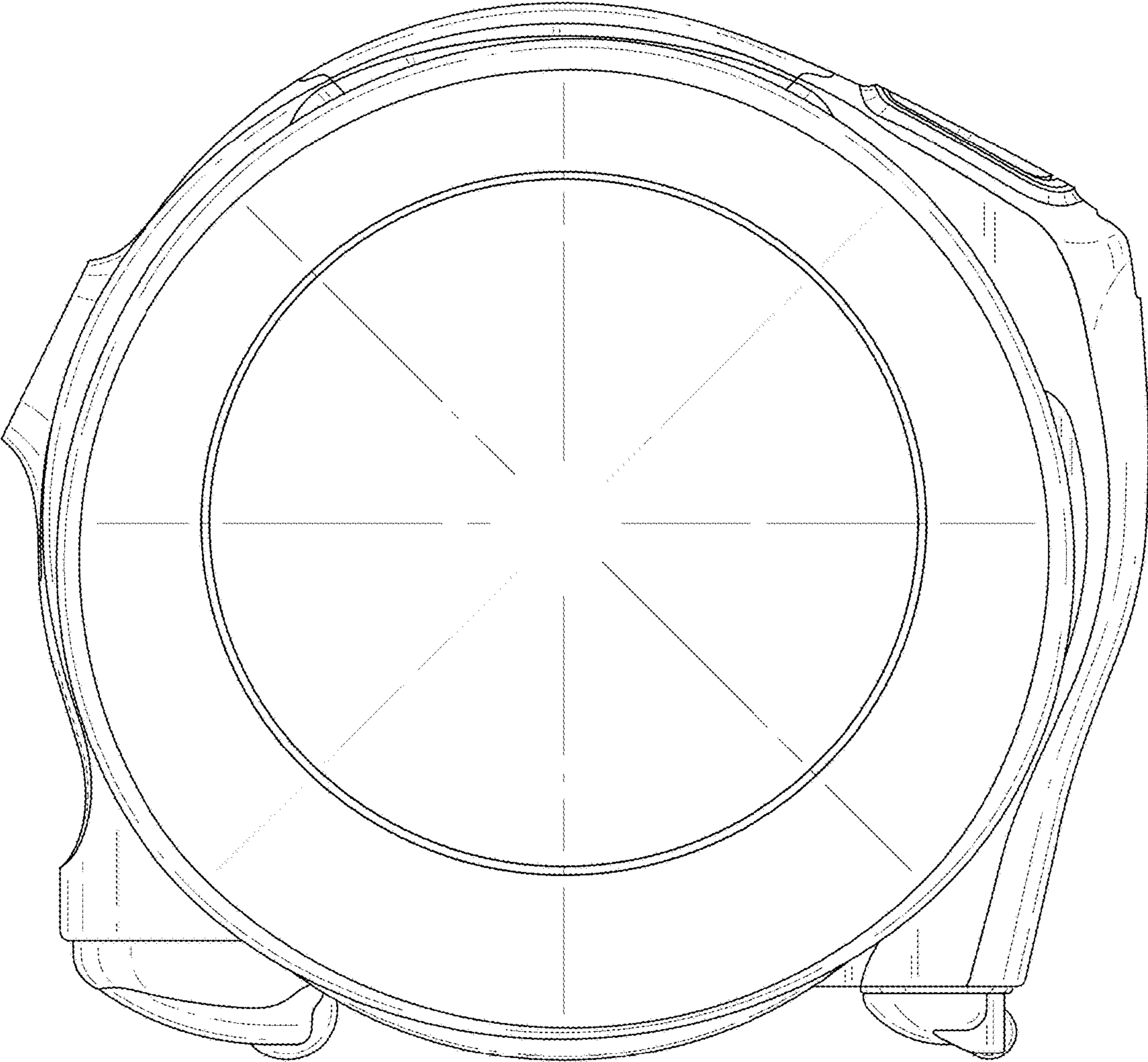


FIG. 6

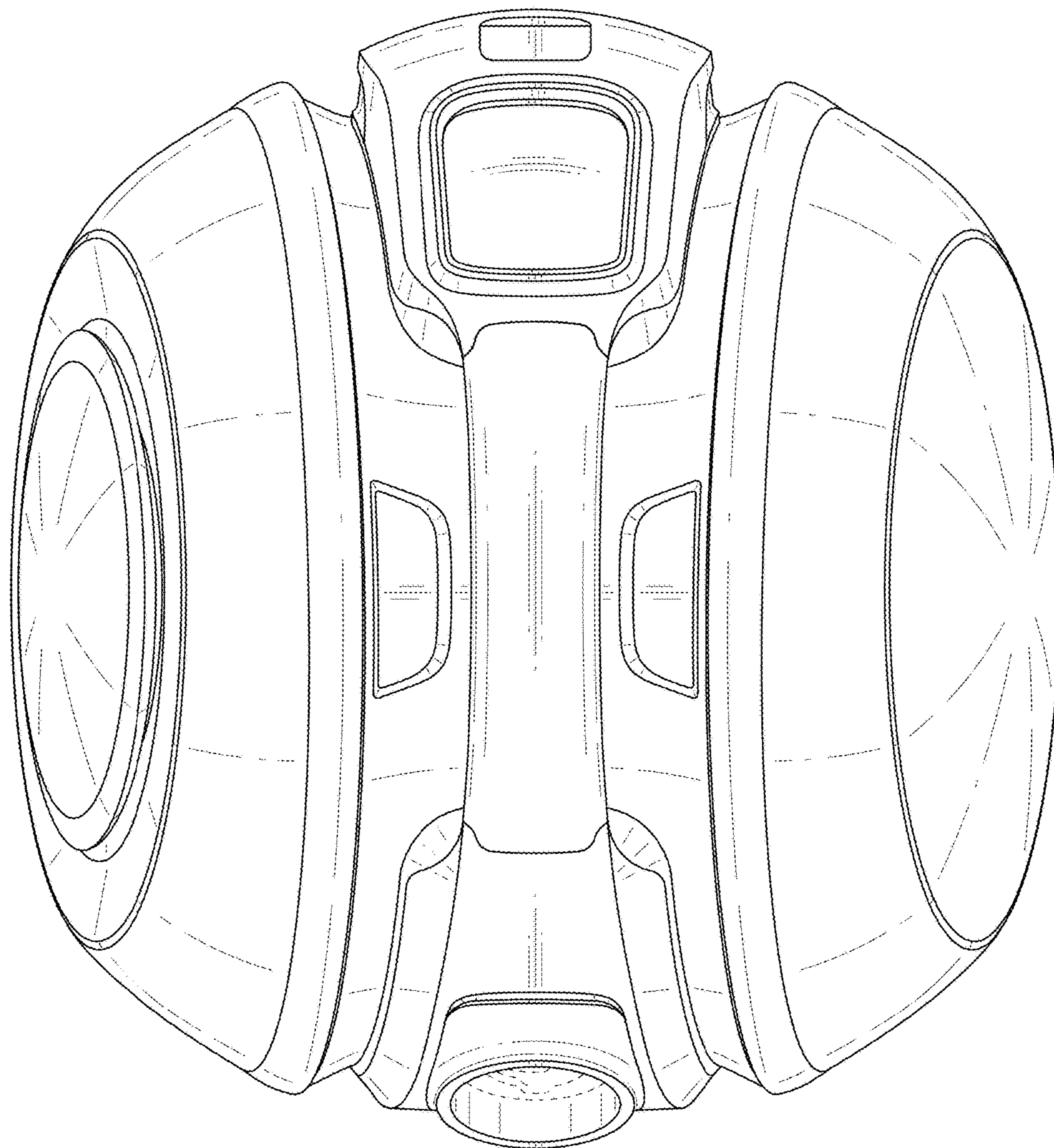


FIG. 7

